



US00D753420S

(12) **United States Design Patent**
Cheng

(10) **Patent No.:** **US D753,420 S**

(45) **Date of Patent:** **** Apr. 12, 2016**

(54) **PARTITION PLATE OF STORAGE RACK**

(71) Applicant: **WIRE MASTER INDUSTRY CO., LTD.**, Changhua Hsien (TW)

(72) Inventor: **Hsi-Ming Cheng**, Changhua Hsien (TW)

(73) Assignee: **WIRE MASTER INDUSTRY CO., LTD.**, Changhua Hsien (TW)

(**) Term: **15 Years**

(21) Appl. No.: **29/528,051**

(22) Filed: **May 26, 2015**

(51) **LOC (10) Cl.** **06-06**

(52) **U.S. Cl.**
USPC **D6/675.2**

(58) **Field of Classification Search**
USPC D6/675, 675.1, 675.2; 211/31.1, 85.26, 211/85.31, 85.4, 33, 134, 186-191, 194, 211/181.1
CPC A47B 45/00; A47B 47/021
See application file for complete search history.

(56) **References Cited**

U.S. PATENT DOCUMENTS

D289,479 S *	4/1987	Brancher	D6/566
D291,165 S *	8/1987	Ray	D6/675.2
D326,579 S *	6/1992	Leeds	D6/566
D338,792 S *	8/1993	Chap	D30/120
D362,138 S *	9/1995	Sagol	D6/675.1
D385,132 S *	10/1997	Sagol	D6/675.1

D385,444 S *	10/1997	Welch	D6/705.7
D471,033 S *	3/2003	Yamaguchi	D6/675.2
D489,205 S *	5/2004	Droppers	D6/705.6
D526,519 S *	8/2006	Nawrocki	D6/566
D592,897 S *	5/2009	Welsch	D6/705.6
D597,342 S *	8/2009	Dickson	D6/675.2
D597,354 S *	8/2009	Liss	D6/705.6
D683,984 S *	6/2013	Troyner	D6/675.2
D701,405 S *	3/2014	Pace	D6/675.2
D743,194 S *	11/2015	Reinhart	D6/705.5

* cited by examiner

Primary Examiner — Kelley Donnelly

(57) **CLAIM**

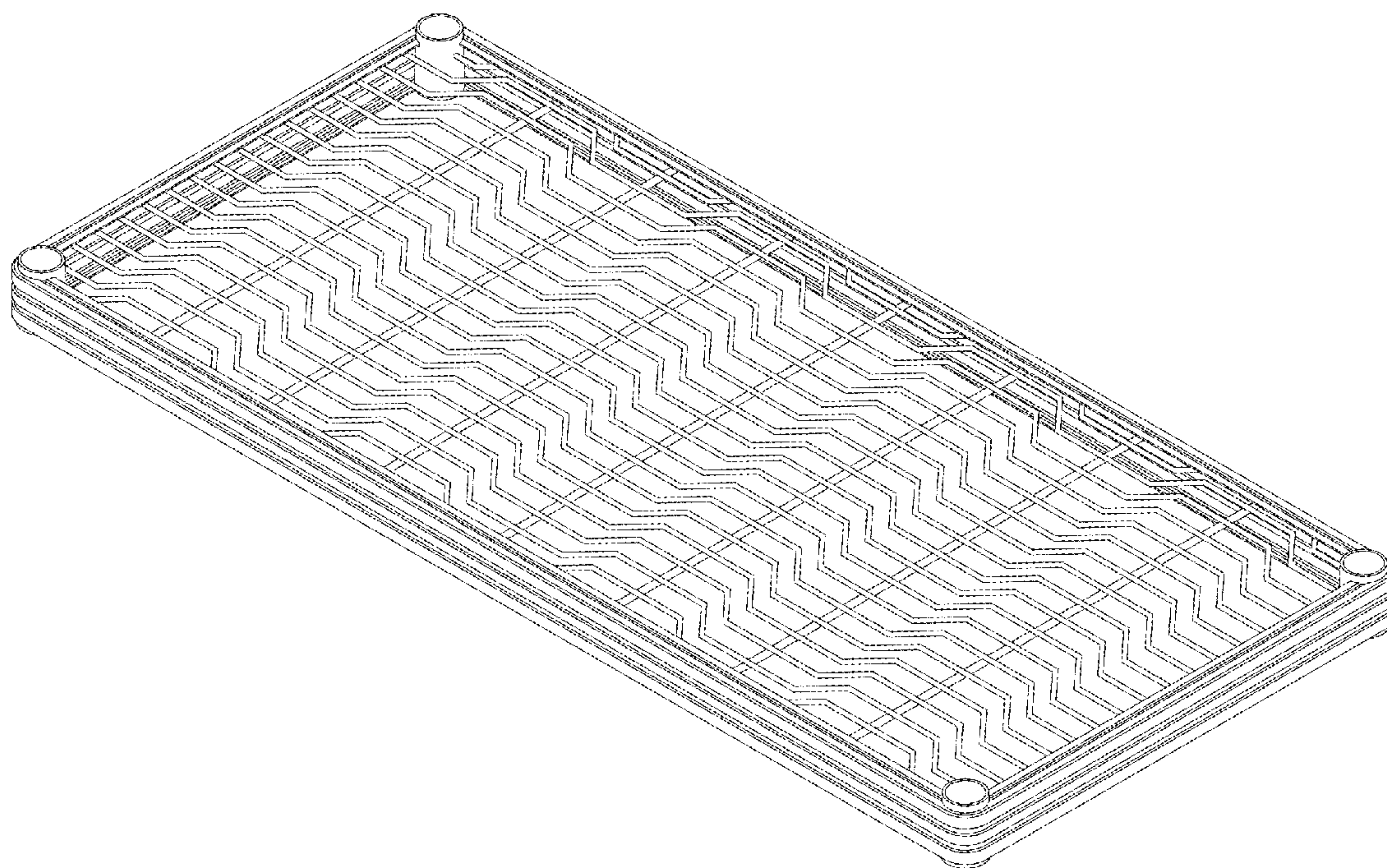
The ornamental design for a partition plate of storage rack, as shown and described.

DESCRIPTION

FIG. 1 is a perspective view of a partition plate of storage rack showing my new design;
FIG. 2 is a front elevation view thereof;
FIG. 3 is a rear elevation view thereof;
FIG. 4 is a left side elevation view thereof;
FIG. 5 is a right side elevation view thereof;
FIG. 6 is a top plan view thereof; and,
FIG. 7 is bottom plan view thereof; and,
FIG. 8 is a reference view of an embodiment the present invention in a shelf configuration.

The broken lines are for the purpose of illustrating the environment of the article only and form no part of the claimed design.

1 Claim, 5 Drawing Sheets



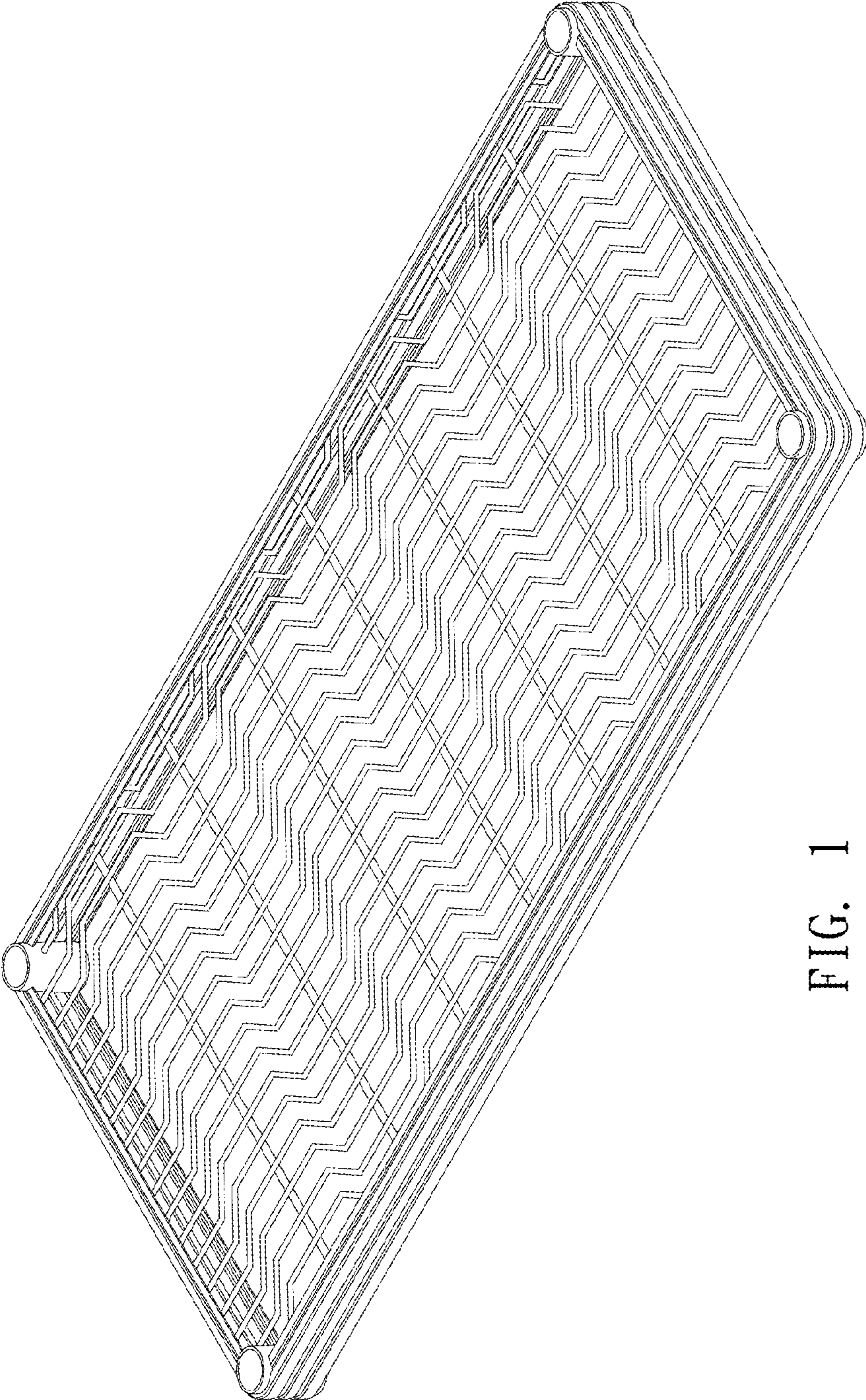


FIG. 1

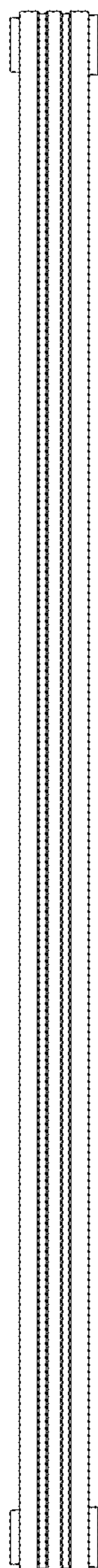


FIG. 2

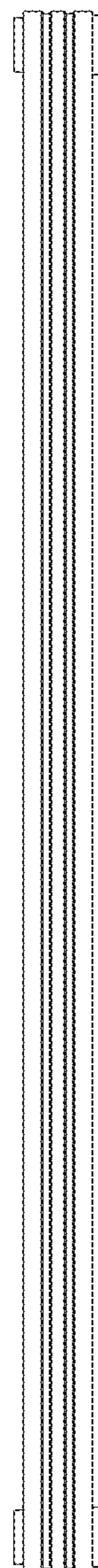


FIG. 3

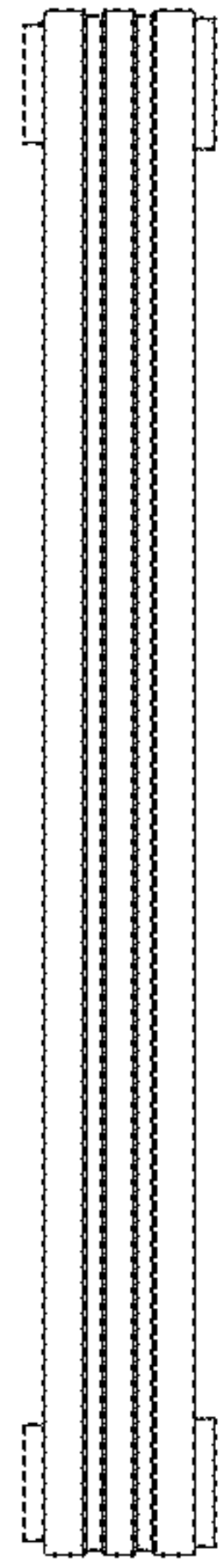


FIG. 4

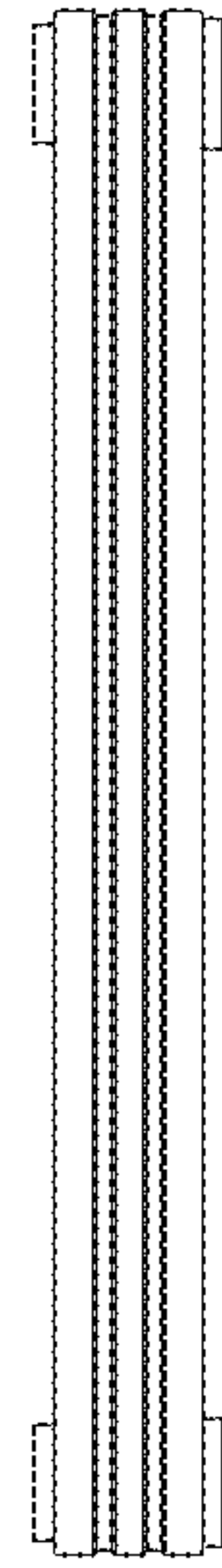


FIG. 5

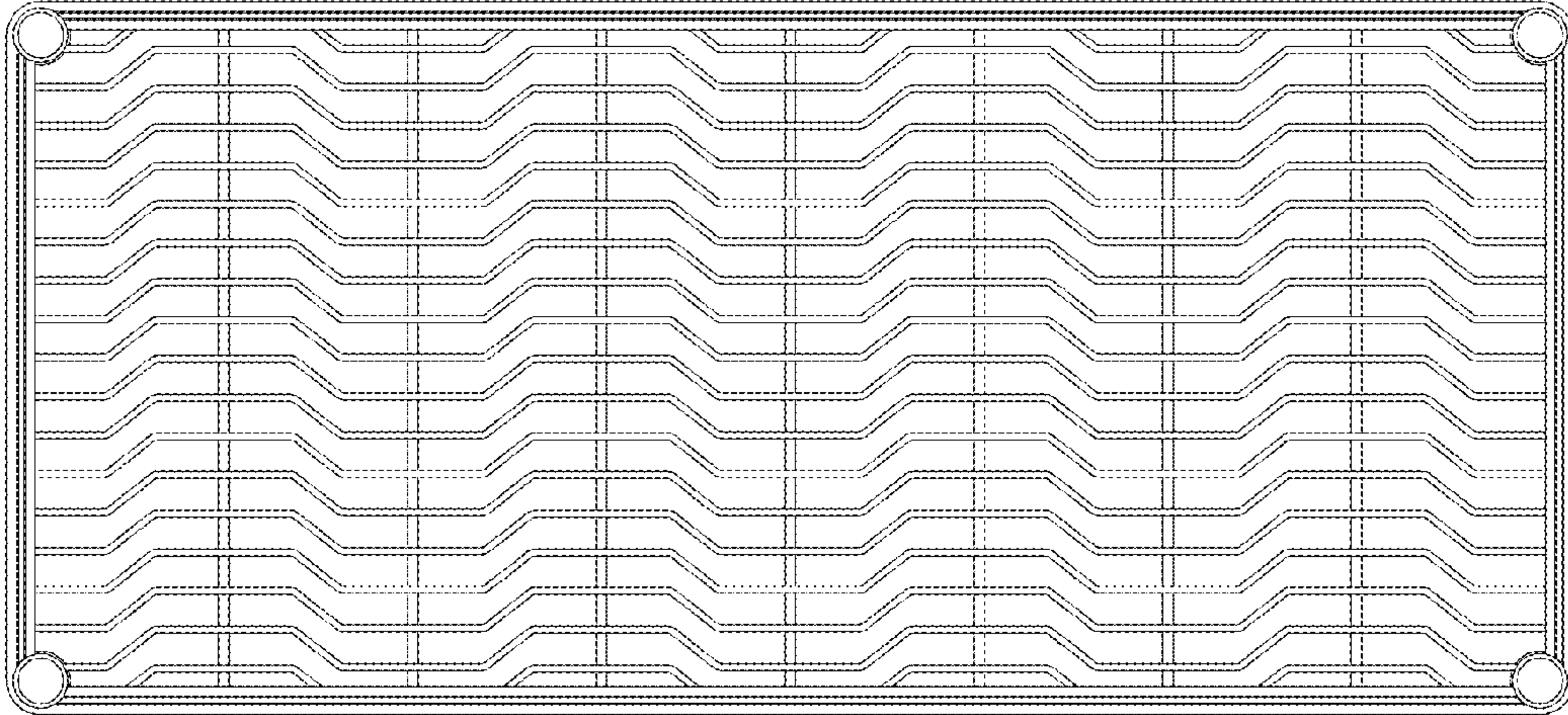


FIG. 6

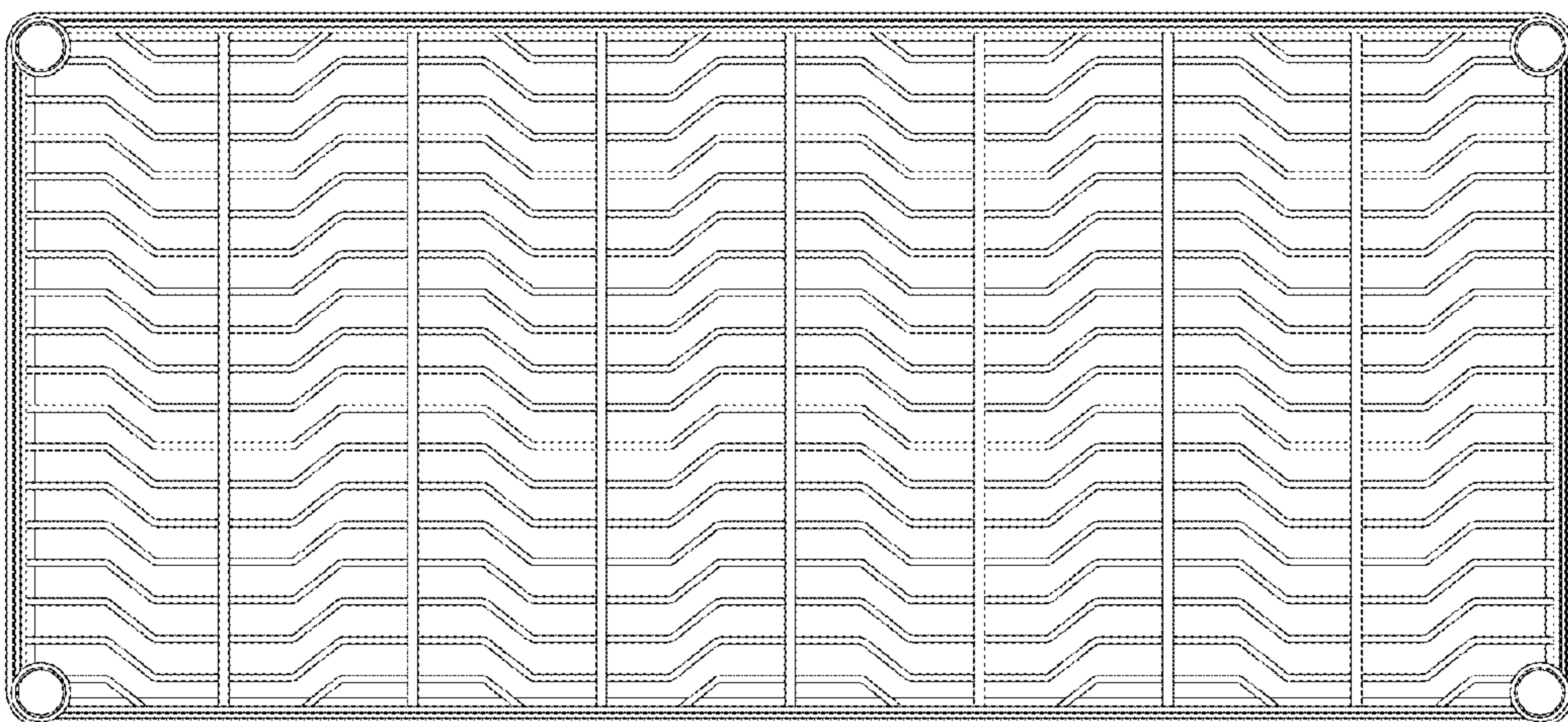


FIG. 7

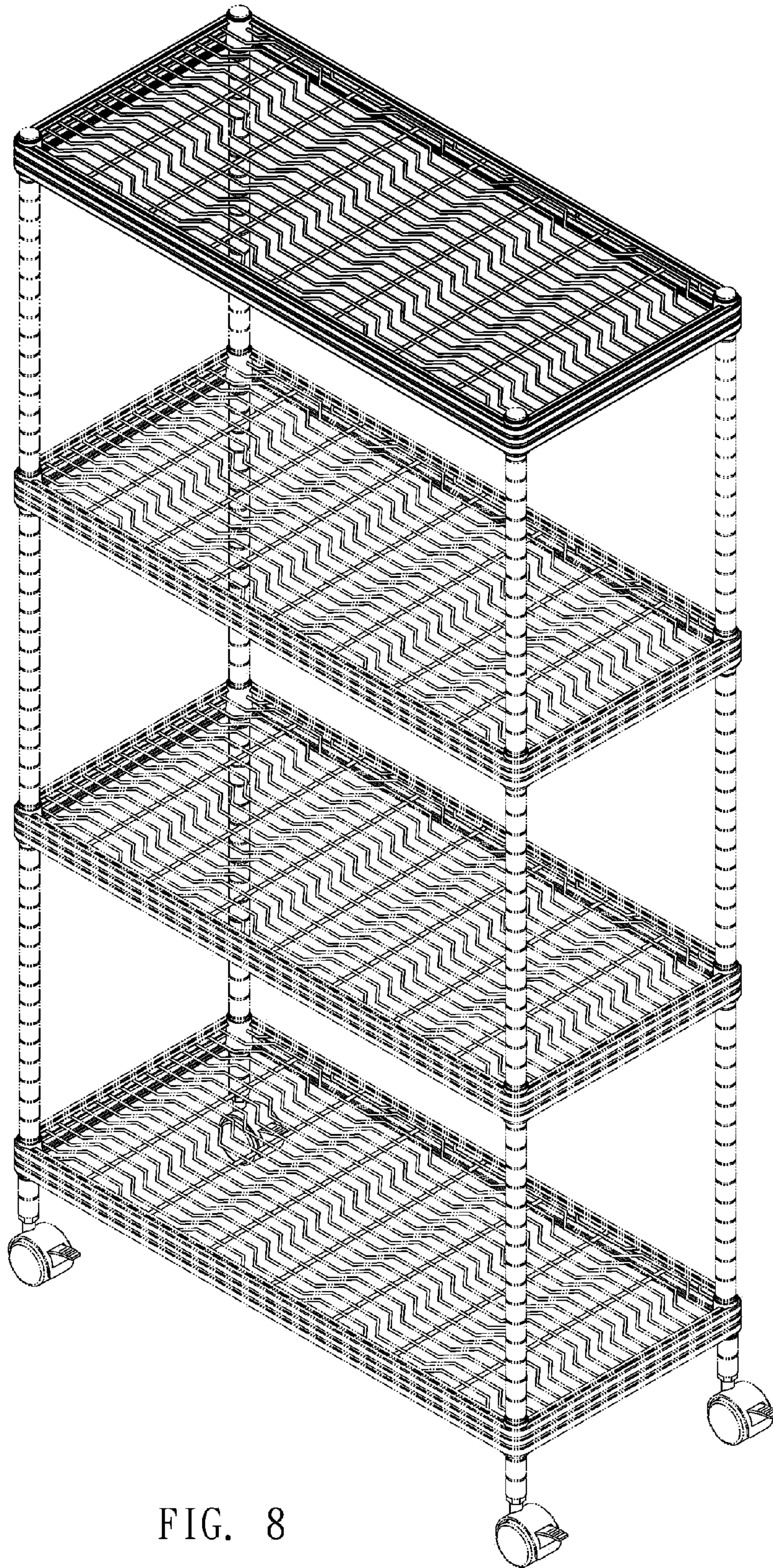


FIG. 8