



US00D753413S

(12) **United States Design Patent**
Anderson

(10) **Patent No.:** **US D753,413 S**
(45) **Date of Patent:** **** Apr. 12, 2016**

(54) **END CAP FOR A RAIL FOR A WINDOW COVERING**

(71) Applicant: **Hunter Douglas Inc.**, Pearl River, NY
(US)

(72) Inventor: **Richard N Anderson**, Whitesville, KY
(US)

(73) Assignee: **Hunter Douglas Inc.**, Pearl River, NY
(US)

(**) Term: **14 Years**

(21) Appl. No.: **29/525,923**

(22) Filed: **May 5, 2015**

(51) **LOC (10) Cl.** **06-10**

(52) **U.S. Cl.**
USPC **D6/580**

(58) **Field of Classification Search**
USPC D6/575, 576, 577, 578, 579, 580, 581;
D8/17, 349, 350, 351, 353, 369, 376,
D8/378; 160/84.01, 84.02, 84.03, 84.04,
160/84.05, 84.06, 84.07, 84.08, 106, 107,
160/108, 111, 113, 130, 133, 166.1, 176
CPC E06B 3/30; E06B 3/92; E06B 3/285;
E06B 9/00; E06B 9/02; E06B 9/24; E06B
9/26; E06B 9/262; E06B 2009/2622; A47H
1/00; A47H 1/02; A47H 21/00; A47H 23/00;
A47H 23/02; A47H 23/04; A47H 23/10;
A47H 2001/0205; A47H 2023/025

See application file for complete search history.

(56) **References Cited**

U.S. PATENT DOCUMENTS

D162,192 S *	2/1951	Lorentzen	160/178.1 R
4,128,914 A *	12/1978	De Wit	E06B 9/367 16/404
4,687,041 A *	8/1987	Anderson	E06B 9/32 160/168.1 R
D360,878 S *	8/1995	Dyer	D13/156
D443,456 S *	6/2001	Horsten	D6/580
D444,792 S *	7/2001	Dhillon	D14/478
D521,849 S *	5/2006	Millward	D8/350
D533,769 S *	12/2006	Xu	D8/350
D567,632 S *	4/2008	Gamble	D8/350
D574,006 S *	7/2008	Stachura	D14/478
2004/0182522 A1 *	9/2004	Strand	E06B 9/262 160/84.05
2008/0083507 A1 *	4/2008	Cheng	E06B 9/323 160/84.04
2014/0158314 A1 *	6/2014	Anderson	E06B 9/322 160/368.1

* cited by examiner

Primary Examiner — Karen S Acker

Assistant Examiner — Wendy Arminio

(74) *Attorney, Agent, or Firm* — Camoriano and Associates

(57) **CLAIM**

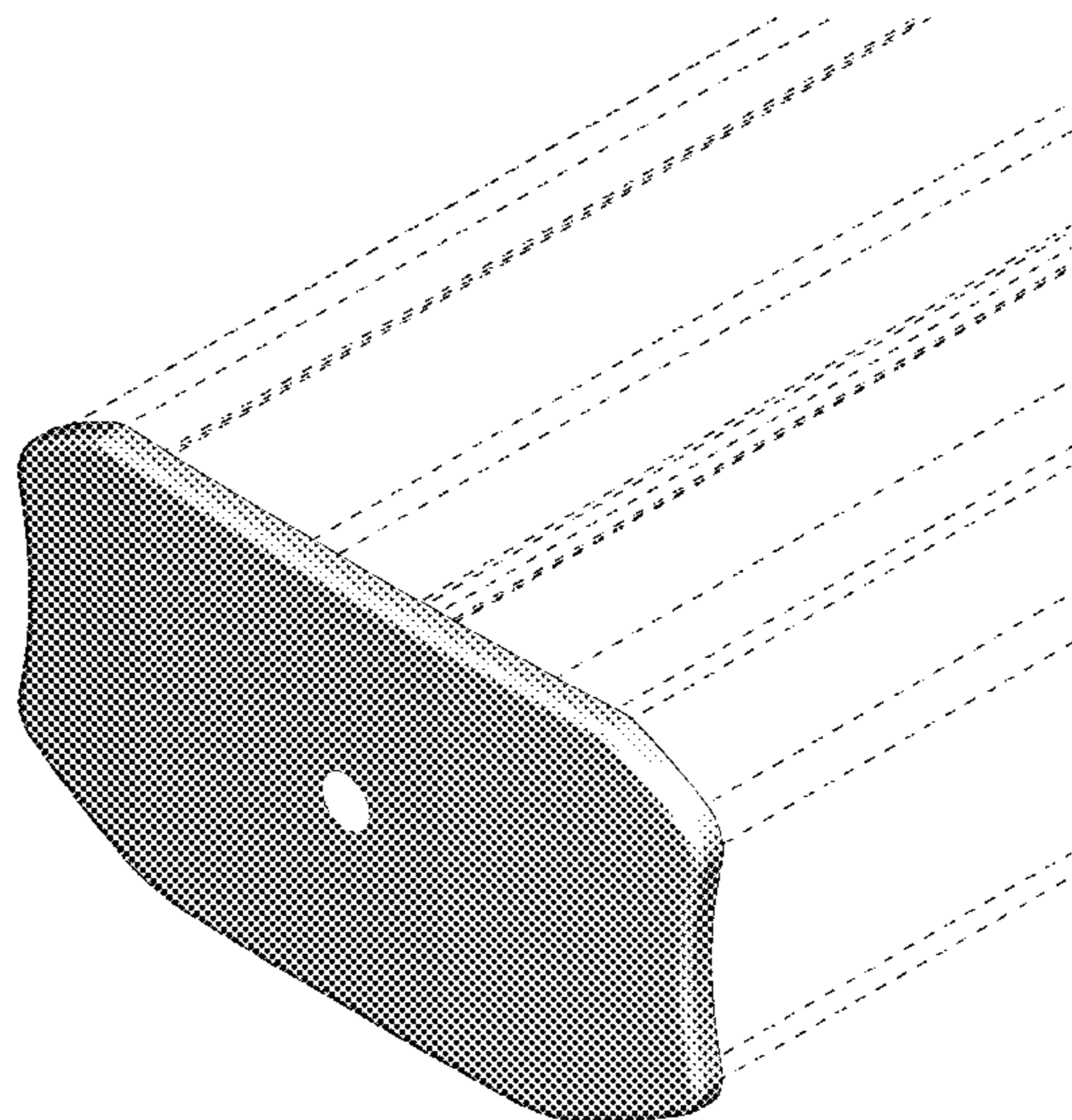
The ornamental design for an end cap for a rail for a window covering, as shown and described.

DESCRIPTION

FIG. 1 is a top perspective view of an end cap for a rail for a window covering showing our design in a position of use; FIG. 2 is a front view thereof; FIG. 3 is a top view thereof; FIG. 4 is a bottom view thereof; and, FIG. 5 is a right side view thereof, which is a mirror image of the left side view.

The rear of the end cap cannot be seen when the end cap is in use. The broken lines represent environmental structure that forms no part of the claimed design.

1 Claim, 2 Drawing Sheets



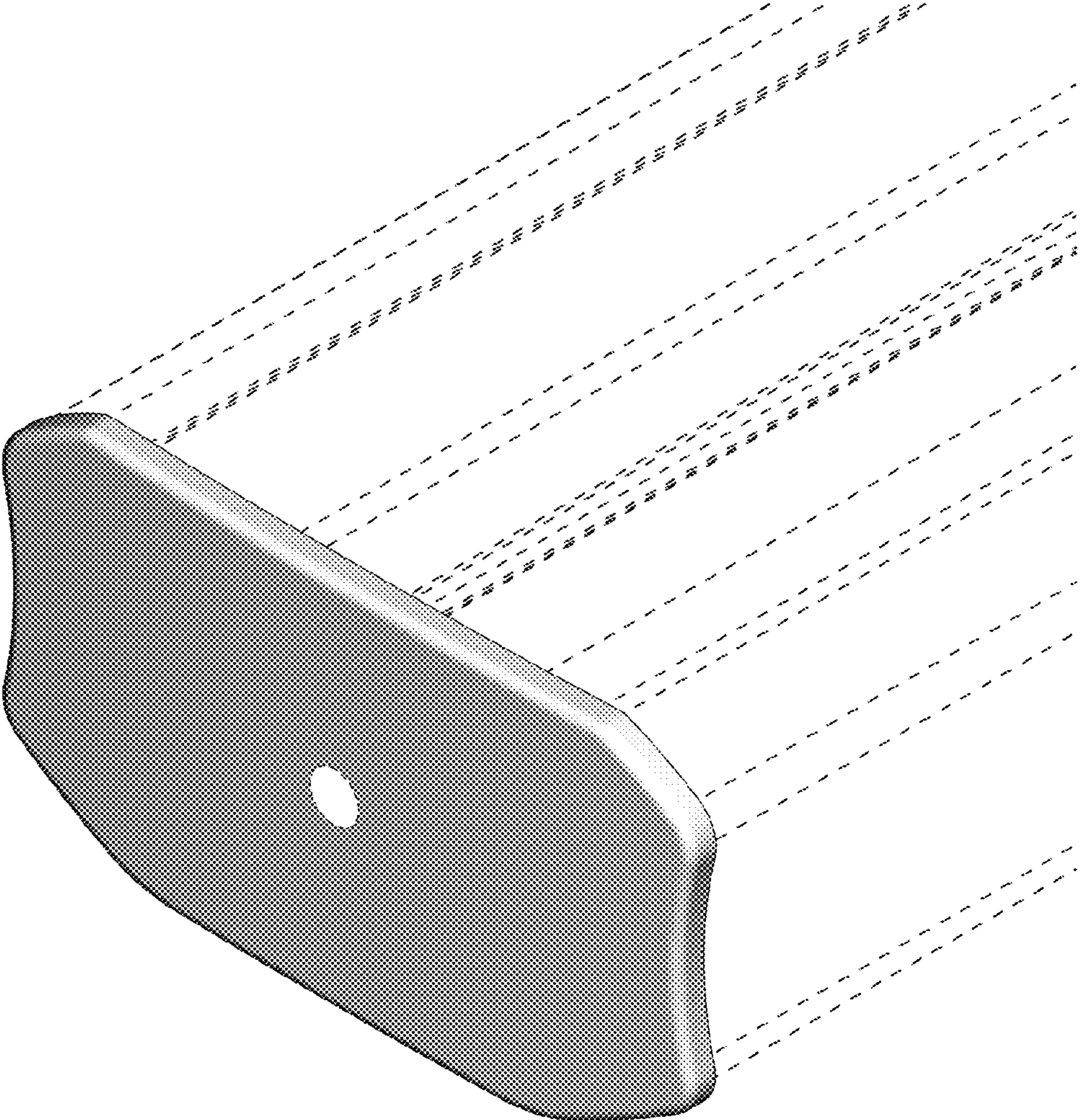


FIG 1

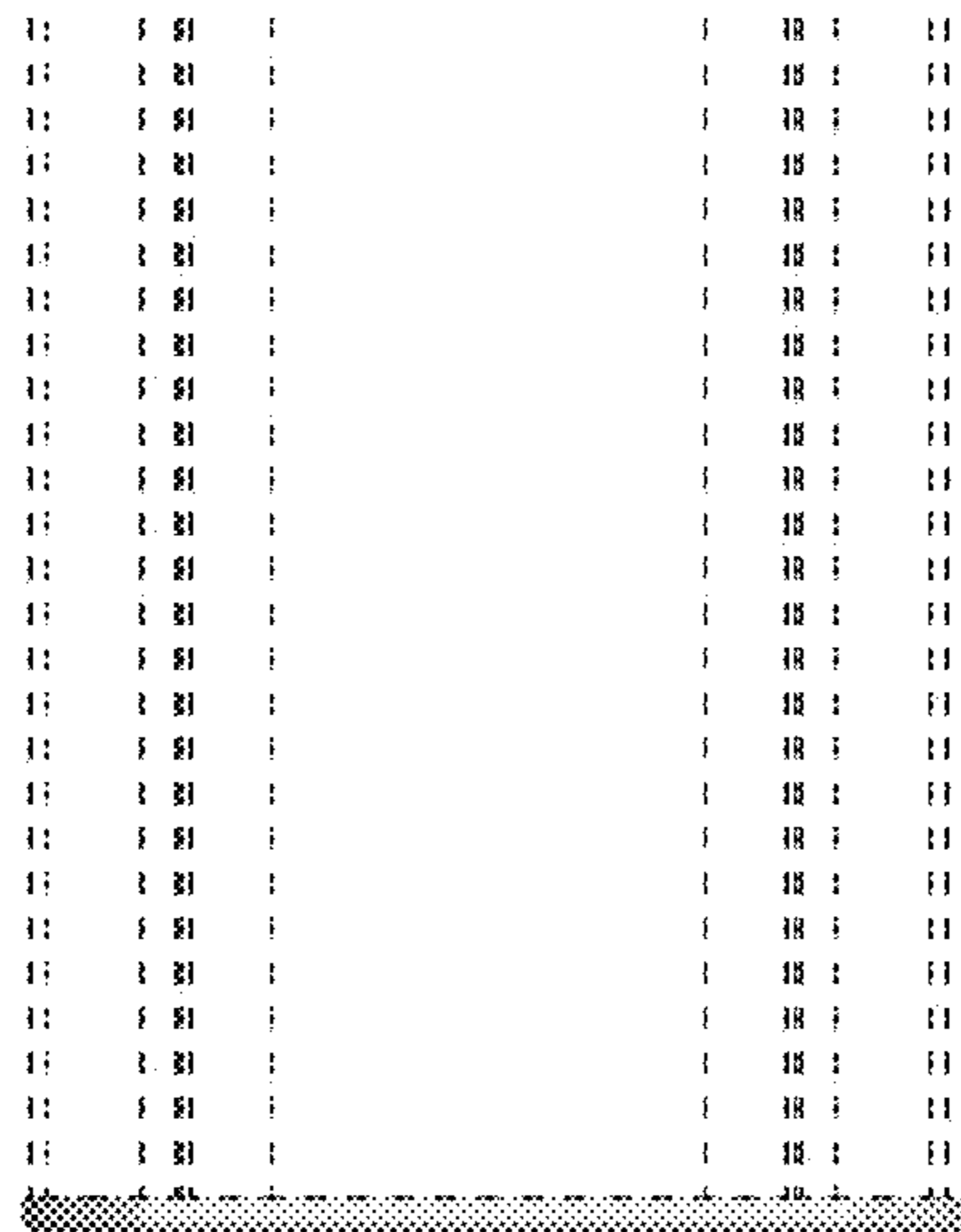


FIG 3

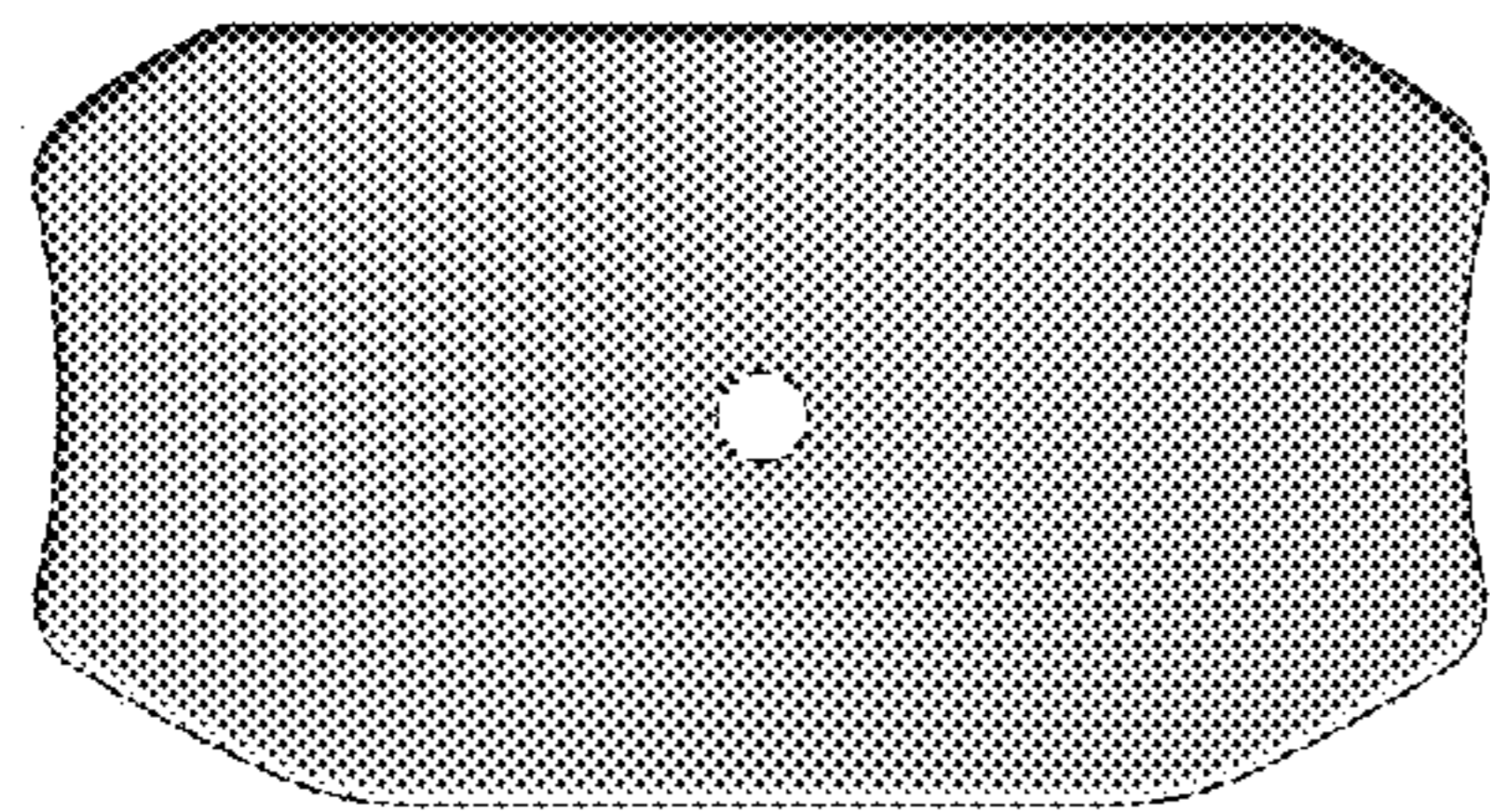


FIG 2



FIG 5

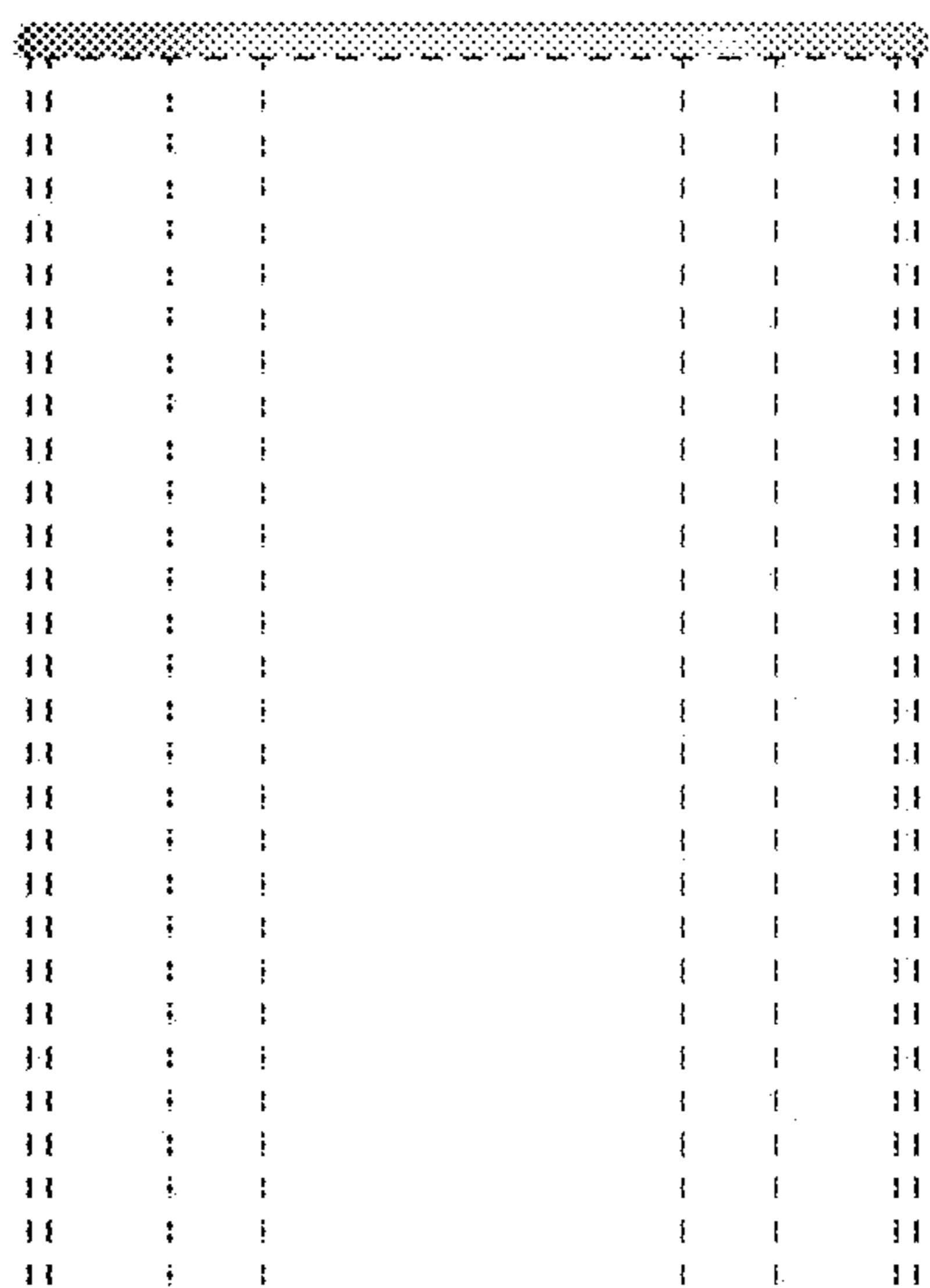


FIG 4