



US00D753412S

(12) **United States Design Patent**
Anderson

(10) **Patent No.:** **US D753,412 S**
(45) **Date of Patent:** **** Apr. 12, 2016**

(54) **END CAP FOR A RAIL FOR A WINDOW COVERING**

(56) **References Cited**

(71) Applicant: **Hunter Douglas Inc.**, Pearl River, NY
(US)

(72) Inventor: **Richard N Anderson**, Whitesville, KY
(US)

(73) Assignee: **Hunter Douglas Inc.**, Pearl River, NY
(US)

(**) Term: **14 Years**

(21) Appl. No.: **29/525,922**

(22) Filed: **May 5, 2015**

(51) **LOC (10) Cl.** **06-10**

(52) **U.S. Cl.**
USPC **D6/580**

(58) **Field of Classification Search**
USPC D6/575, 576, 577, 578, 579, 580, 581;
D8/17, 349, 350, 351, 353, 369, 376,
D8/378; 160/84.01, 84.02, 84.03, 84.04,
160/84.05, 84.06, 84.07, 84.08, 106, 107,
160/108, 111, 113, 130, 133, 166.1, 176
CPC E06B 3/30; E06B 3/92; E06B 3/285;
E06B 9/00; E06B 9/02; E06B 9/24; E06B
9/26; E06B 9/262; E06B 2009/2622; A47H
1/00; A47H 1/02; A47H 21/00; A47H 23/00;
A47H 23/02; A47H 23/04; A47H 23/10;
A47H 2001/0205; A47H 2023/025

See application file for complete search history.

U.S. PATENT DOCUMENTS

| | | | | |
|-------------------|---------|----------------|-------|---------------------------|
| D162,192 S * | 2/1951 | Lorentzen | | 160/178.1 R |
| 4,687,041 A * | 8/1987 | Anderson | | E06B 9/32 160/161.1 R |
| D333,936 S * | 3/1993 | van der Zanden | | D6/577 |
| D360,878 S * | 8/1995 | Dyer | | D13/156 |
| D362,173 S * | 9/1995 | Skitromo | | D26/142 |
| D443,456 S * | 6/2001 | Horsten | | D6/580 |
| D444,792 S * | 7/2001 | Dhillon | | D14/478 |
| 6,491,085 B1 * | 12/2002 | Anthony | | E06B 9/262 160/168.1 V |
| D476,549 S * | 7/2003 | Shaw | | D8/350 |
| D521,849 S * | 5/2006 | Millward | | D8/350 |
| D574,006 S * | 7/2008 | Stachura | | D14/478 |
| 2008/0083507 A1 * | 4/2008 | Cheng | | E06B 9/323 160/84.04 |
| 2014/0158314 A1 * | 6/2014 | Anderson | | E06B 9/322 160/368.1 |

* cited by examiner

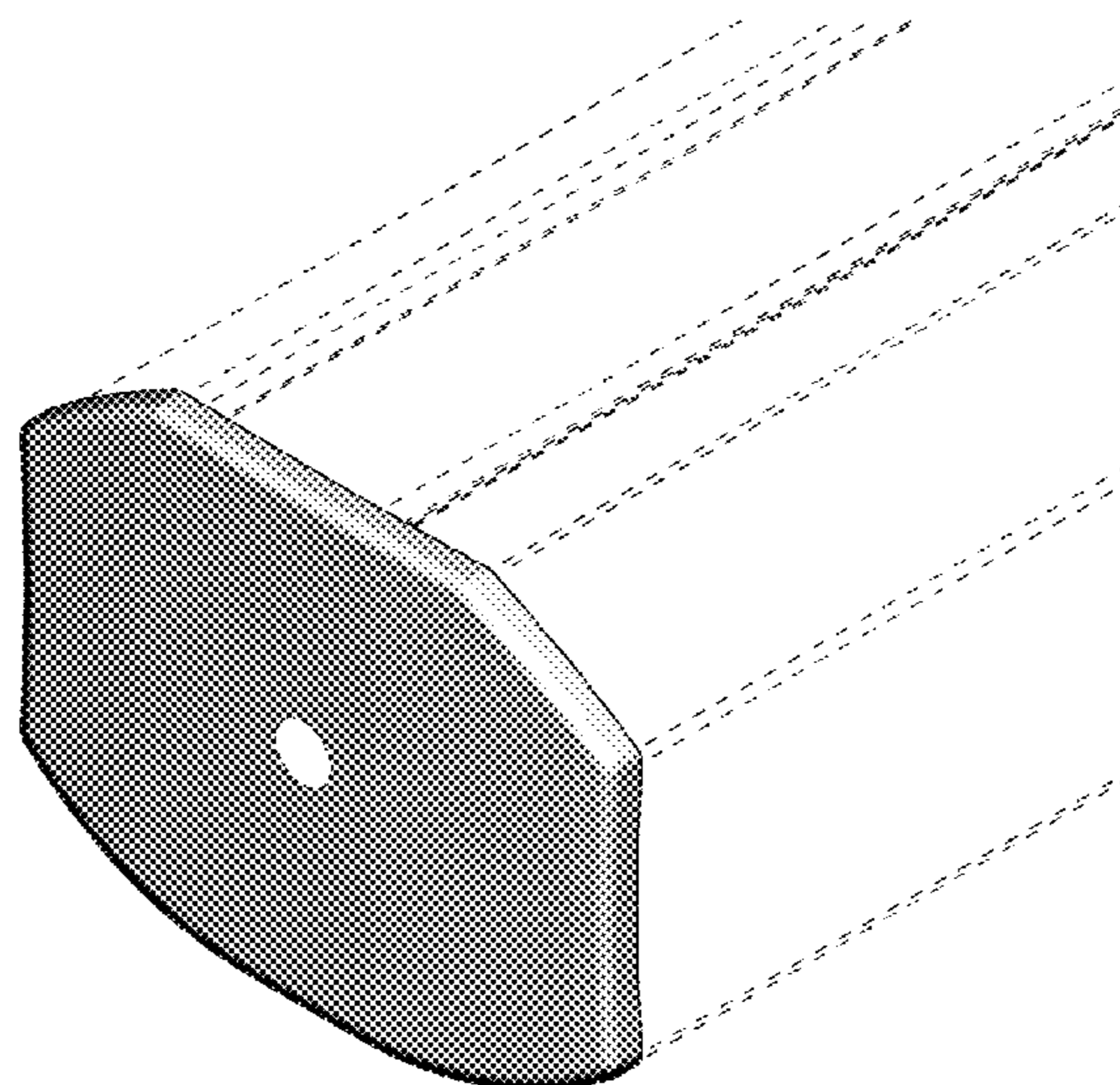
Primary Examiner — Karen S Acker
Assistant Examiner — Wendy Arminio
(74) *Attorney, Agent, or Firm* — Camoriano and Associates

(57) **CLAIM**
The ornamental design for an end cap for a rail for a window covering, as shown and described.

DESCRIPTION

FIG. 1 is a top perspective view of an end cap for a rail for a window covering showing our design in a position of use; FIG. 2 is a front view thereof; FIG. 3 is a top view thereof; FIG. 4 is a bottom view thereof; and, FIG. 5 is a right side view thereof, which is a mirror image of the left side view.
The rear of the end cap cannot be seen when the end cap is in use. The broken lines represent environmental structure that forms no part of the claimed design.

1 Claim, 2 Drawing Sheets



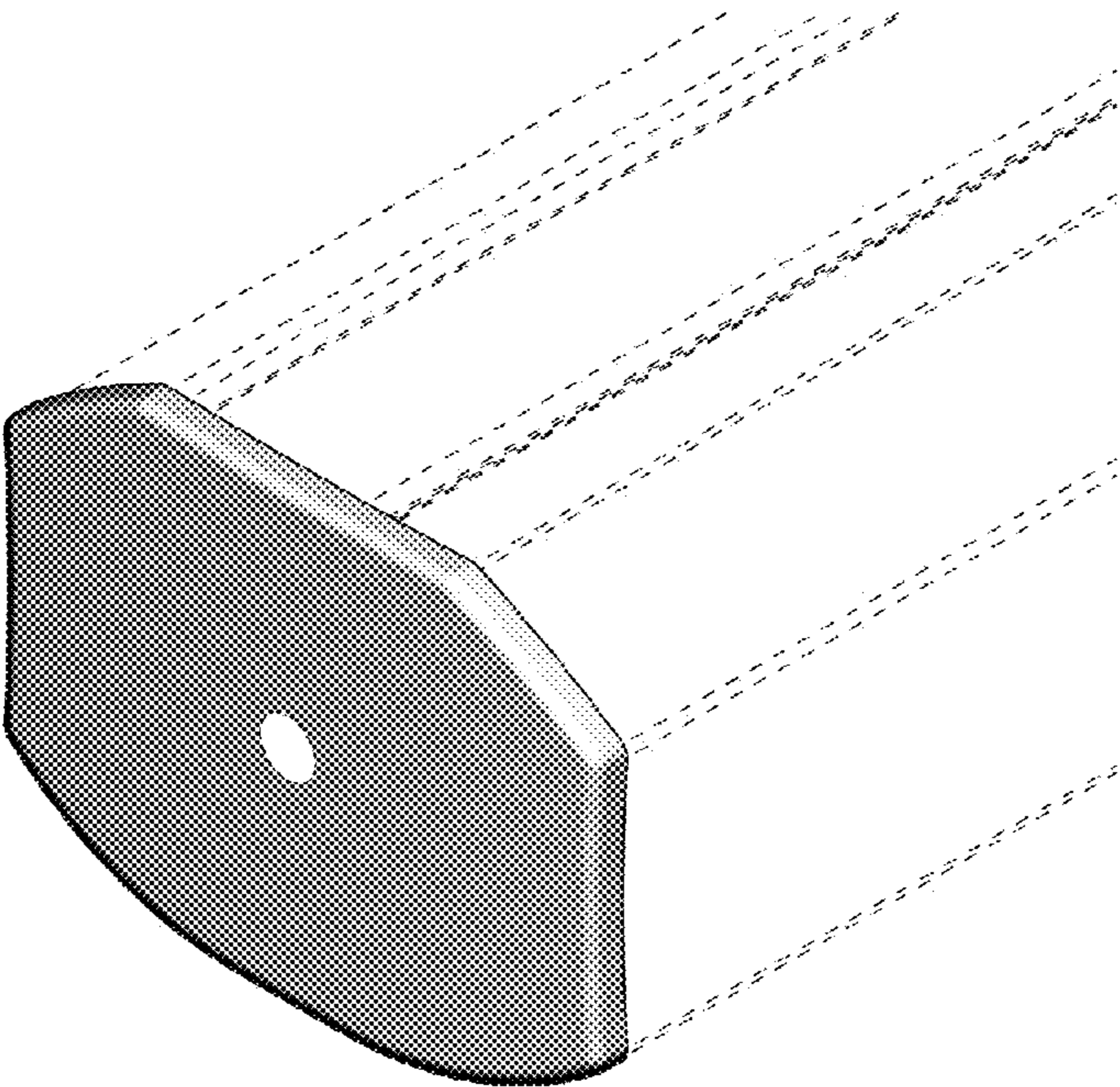


FIG 1

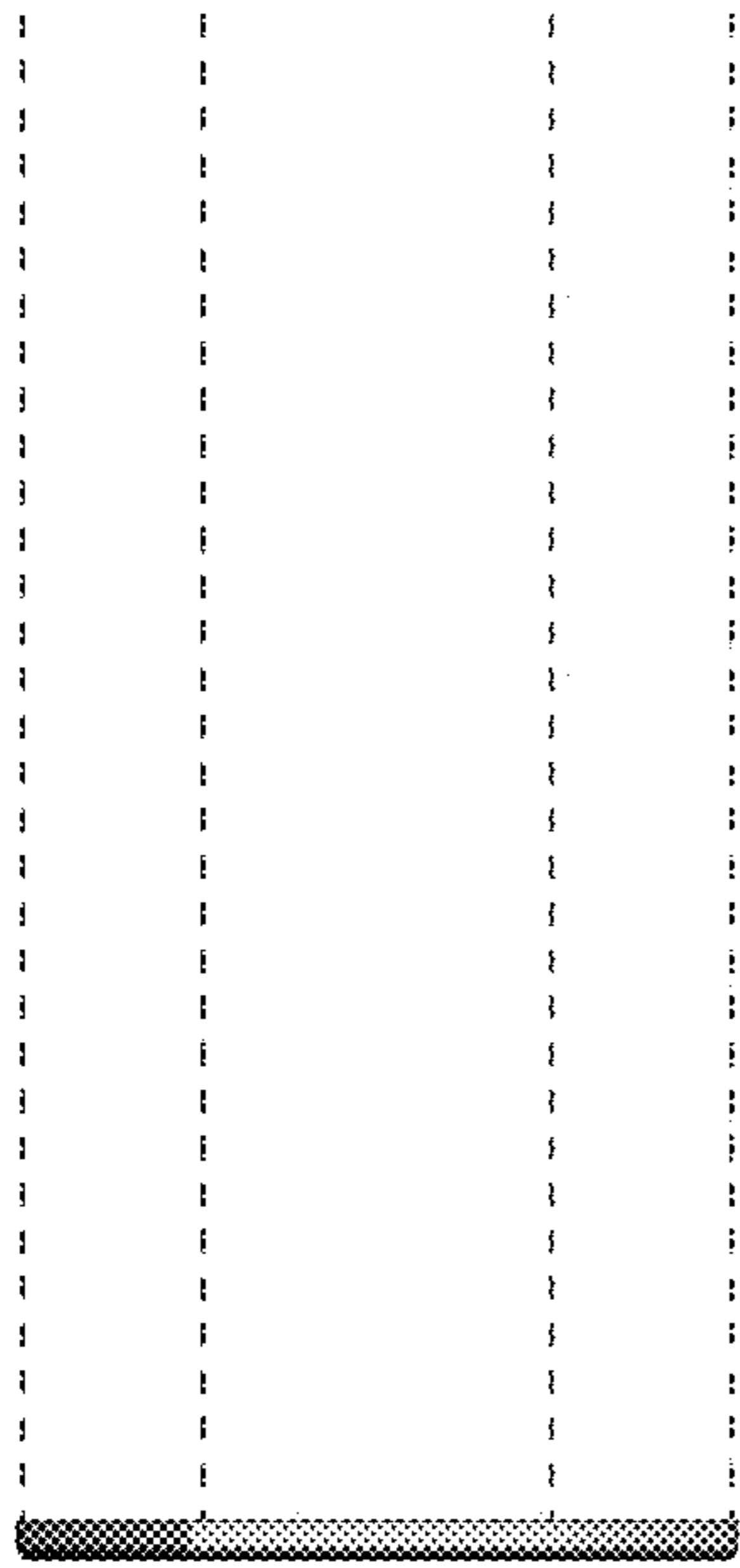


FIG 3

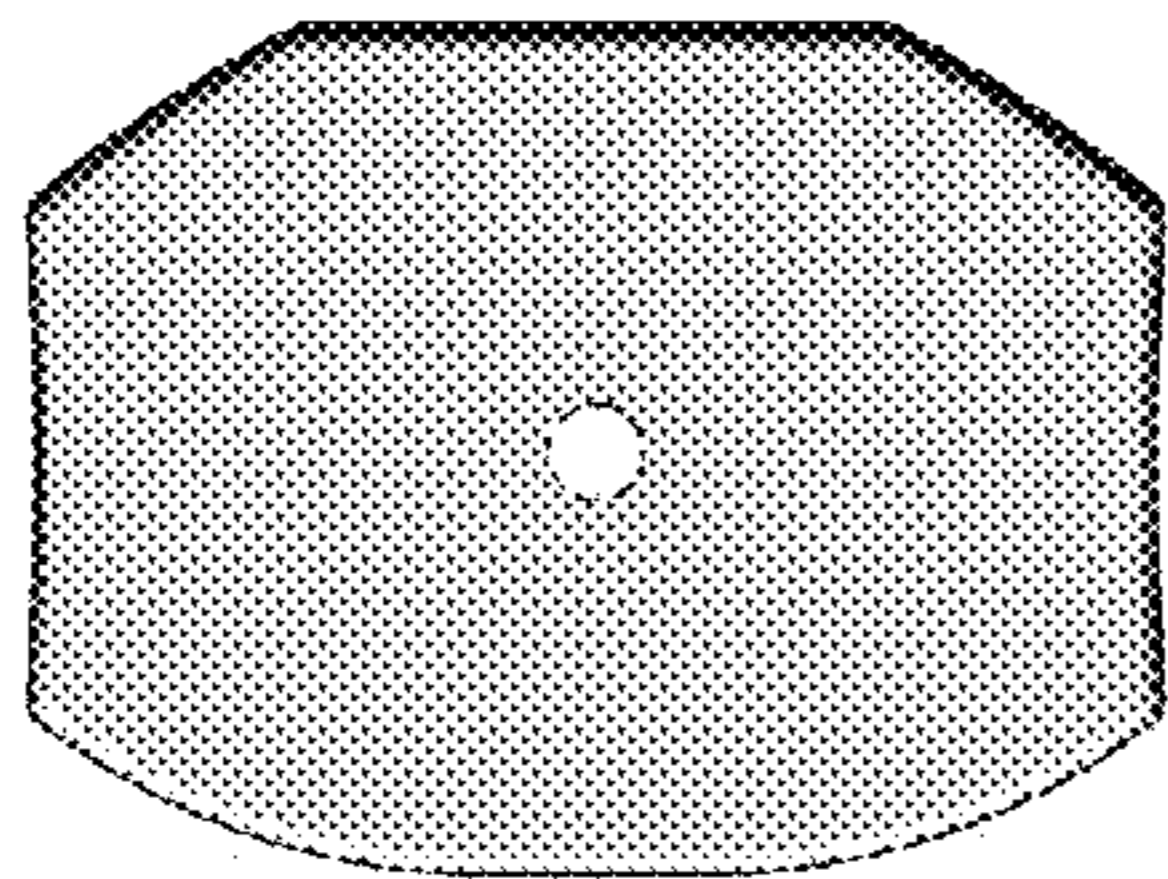


FIG 2



FIG 5

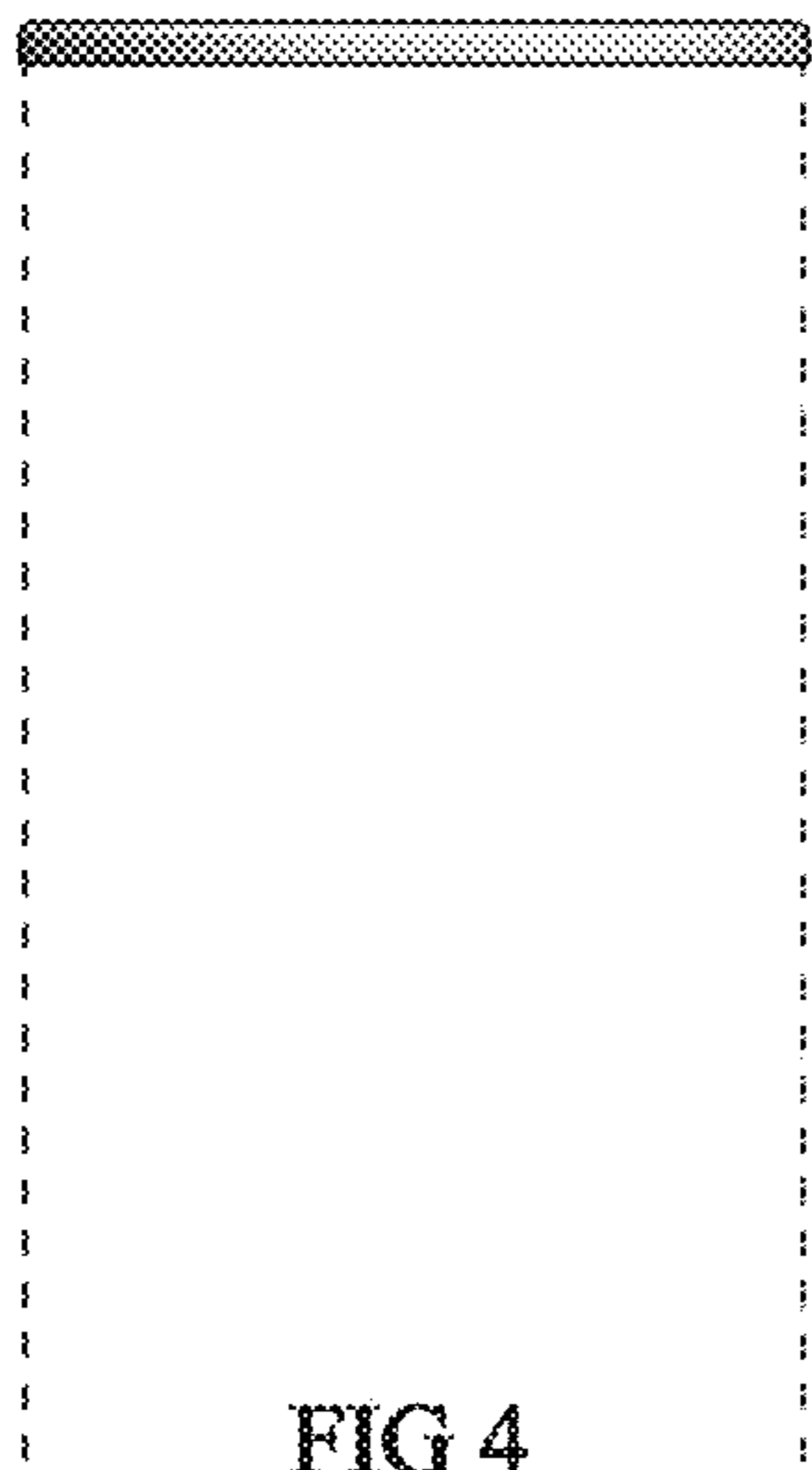


FIG 4