



US00D753411S

(12) **United States Design Patent**
Yang et al.

(10) **Patent No.:** **US D753,411 S**
(45) **Date of Patent:** **** Apr. 12, 2016**

(54) **SHELVING SYSTEM**

FOREIGN PATENT DOCUMENTS

(71) Applicant: **simplehuman, LLC**, Torrance, CA (US)

AU 364938 10/2015
AU 364939 10/2015

(72) Inventors: **Frank Yang**, Rancho Palos Verdes, CA (US); **Di-Fong Chang**, Torrance, CA (US); **Myk Lum**, Irvine, CA (US); **Adam Wade**, Rancho Santa Margarita, CA (US); **Daniel Ballou**, Long Beach, CA (US)

(Continued)

OTHER PUBLICATIONS

U.S. Appl. No. 29/518,332, filed Feb. 23, 2015, Yang et al.
(Continued)

(73) Assignee: **simplehuman, LLC**, Torrance, CA (US)

Primary Examiner — Brian N Vinson

(**) Term: **15 Years**

(74) *Attorney, Agent, or Firm* — Knobbe, Martens, Olson & Bear, LLP

(21) Appl. No.: **29/534,240**

(22) Filed: **Jul. 27, 2015**

(57) **CLAIM**

The ornamental design for a shelving system, as shown and described.

Related U.S. Application Data

(63) Continuation of application No. 29/484,885, filed on Mar. 13, 2014, now Pat. No. Des. 734,956.

(51) **LOC (10) Cl.** **23-02**

(52) **U.S. Cl.**
USPC **D6/525**

(58) **Field of Classification Search**
USPC D6/524, 525, 566, 536, 540
CPC A47F 5/02; A47F 5/05; A47F 5/10;
A47F 3/14; A47B 51/00; A47B 57/00; A47B
45/00; A47B 49/00; A47B 49/004; B25H
3/04

See application file for complete search history.

DESCRIPTION

FIG. 1 is a top, rear, left-side perspective view of a shelving system embodying our design;
FIG. 2 is a close-up view of a portion thereof;
FIG. 3 is a front elevation view thereof;
FIG. 4 is a rear elevation view thereof;
FIG. 5 is a right-side elevation view thereof;
FIG. 6 is a left-side elevation view thereof;
FIG. 7 is a bottom plan view thereof;
FIG. 8 is a close-up view of FIG. 7;
FIG. 9 is a top plan view of the shelving system of FIG. 1; and,
FIG. 10 is a close-up view of FIG. 9.

All features in phantom line form no part of the claimed subject matter. Due to limitations in the ability to illustrate certain features in phantom line in the overall views of FIGS. 1 and 7, certain unclaimed features of the shelving system are shown only in the close-up views of FIGS. 2 and 8.

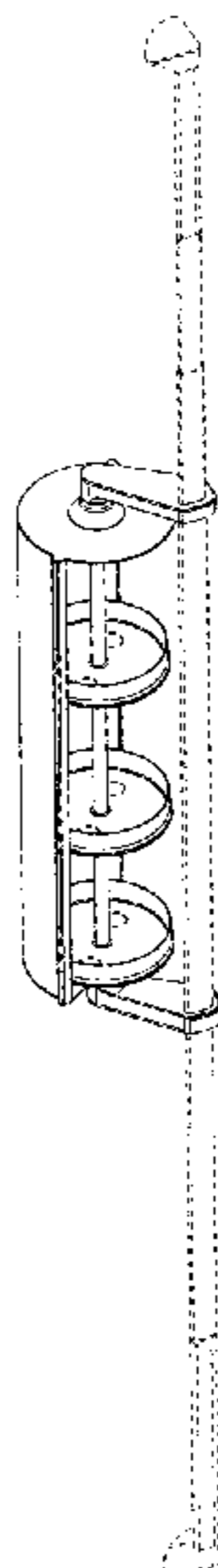
(56) **References Cited**

U.S. PATENT DOCUMENTS

141,186 A 7/1873 Thomas
163,852 A 6/1875 Denman
181,593 A 8/1876 Randall
284,090 A 8/1883 Tingle

(Continued)

1 Claim, 10 Drawing Sheets



(56)

References Cited

U.S. PATENT DOCUMENTS

387,758 A	8/1888	Barnhart	3,593,857 A	7/1971	Hernes
397,558 A	2/1889	Lumley	D222,276 S	10/1971	Hughes
434,708 A	8/1890	Grier	3,641,922 A	2/1972	Nachazel et al.
475,020 A	5/1892	Perry	3,661,121 A	5/1972	Zielin
477,291 A	6/1892	Bomar	3,695,455 A	10/1972	Larson
496,961 A	5/1893	Trude	3,710,096 A	1/1973	McFarlin
527,273 A	10/1894	Fowler	3,734,439 A	5/1973	Wintz
536,272 A	3/1895	Edsall	3,787,078 A	1/1974	Williams
543,935 A	8/1895	Hostler	3,789,996 A	2/1974	Stroh
612,061 A	10/1898	Shambaugh	3,791,091 A	2/1974	Albrizzi
613,231 A	11/1898	Bennett	3,807,574 A	4/1974	Lanza
618,425 A	1/1899	Manger	3,854,686 A	12/1974	Konstant
626,739 A	6/1899	Vanderman	3,894,707 A	7/1975	Heard
644,080 A	2/1900	Huebel	3,907,119 A	9/1975	Franz
661,755 A	11/1900	Thurstensen	3,923,162 A	12/1975	Hussey
799,233 A	9/1905	Hubbell	D239,579 S	4/1976	Taub
839,339 A	12/1906	Tuttle	3,954,182 A	5/1976	McEvers
841,866 A	1/1907	Hollis	3,983,823 A	10/1976	McDonnell
845,917 A	3/1907	Worley	3,998,334 A	12/1976	Smith
913,955 A	3/1909	Hansen	4,018,019 A	4/1977	Raith et al.
970,485 A	9/1910	Frey	4,033,539 A	7/1977	Bardocz
1,026,149 A	5/1912	Crane	4,059,915 A	11/1977	Owens
1,071,428 A	8/1913	Jones	4,096,951 A	6/1978	Menssen
1,254,094 A	1/1918	Vogt	4,106,736 A	8/1978	Becker, III et al.
1,446,036 A	2/1923	Willaim	D250,560 S	12/1978	Gordon
1,478,339 A	12/1923	Wade	4,154,356 A	5/1979	Schieve
1,511,704 A	10/1924	Buck	4,192,426 A	3/1980	Gauthier
1,554,137 A	9/1925	Slifkin	4,215,840 A	8/1980	Babberl
1,582,762 A	4/1926	Klock	4,232,790 A	11/1980	Serrano
1,639,551 A	8/1927	Booth	4,274,400 A	6/1981	Baus
1,931,321 A	10/1933	Keil	4,310,193 A	1/1982	Kolleas
2,012,452 A	8/1935	Littell	4,360,283 A	11/1982	Psotta
2,042,517 A	6/1936	Ellis	4,387,811 A	6/1983	Ragir et al.
2,157,309 A	5/1939	Swedman et al.	4,415,091 A	11/1983	Wolff
2,199,851 A	5/1940	Freeman	4,415,211 A	11/1983	Alissandratos
2,254,770 A	9/1941	Bitney	4,428,488 A	1/1984	McAvinn et al.
2,513,889 A	7/1950	Nilsson	4,437,450 A	3/1984	Connelly
2,593,738 A	4/1952	Dollahite	D273,645 S	5/1984	McEvers
2,675,782 A	4/1954	Lage et al.	D274,201 S	6/1984	Aaron
2,677,519 A	5/1954	Hobson	4,511,047 A	4/1985	Elinsky
2,746,661 A	5/1956	Kaplan	4,541,131 A	9/1985	Sussman
2,788,902 A	4/1957	Nowicki	4,559,879 A	12/1985	Hausser
2,837,219 A	6/1958	Ferdinand et al.	D286,599 S	11/1986	Sussman
2,868,386 A	1/1959	Seyforth	D289,353 S	4/1987	Davis et al.
2,919,873 A	1/1960	Tice	4,664,428 A	5/1987	Bridges
2,923,415 A	2/1960	Brown	4,761,092 A	8/1988	Nakatani
2,923,428 A	2/1960	Averill	4,771,897 A	9/1988	Ho
2,928,512 A	3/1960	Slater et al.	4,771,899 A	9/1988	Benedict et al.
2,932,873 A	4/1960	Reichert	4,776,471 A	10/1988	Elkins
2,936,146 A	5/1960	Wunder	4,786,022 A	11/1988	Grieshaber
2,937,766 A	5/1960	Penn	4,805,784 A	2/1989	Solheim et al.
2,941,669 A	6/1960	Palay et al.	4,860,909 A	8/1989	Leumi
D188,332 S	7/1960	Salen	4,865,283 A	9/1989	Parker
D189,722 S	2/1961	Wolf	4,869,378 A	9/1989	Miller
2,976,003 A	3/1961	Foster	4,869,379 A	9/1989	Hawkrige
2,977,953 A	4/1961	Dowdy	4,875,593 A	10/1989	Trimble
3,035,708 A	5/1962	Freeman	4,883,399 A	11/1989	MacLean
3,043,440 A	7/1962	Berlin	4,895,331 A	1/1990	Nehls
3,059,374 A	10/1962	Bernay	4,909,467 A	3/1990	Shan-Pao
3,088,598 A	5/1963	Werneke	D314,294 S	2/1991	Axhamre
D195,412 S	6/1963	Vernik	4,998,647 A	3/1991	Sharp
3,111,723 A	11/1963	Bates	5,014,860 A	5/1991	Emery
3,115,107 A	12/1963	Glenny	5,023,755 A	6/1991	Rosenberg
3,119,496 A	1/1964	Burk	5,083,670 A	1/1992	Zimmer
3,124,253 A	3/1964	Pelrich et al.	D327,187 S	6/1992	Swon
3,132,609 A	5/1964	Chesley	5,127,528 A	7/1992	Cone
3,138,260 A	6/1964	Tedrick	5,160,101 A	11/1992	Ferraro et al.
3,181,923 A	5/1965	Guillon et al.	5,165,644 A	11/1992	Allen
3,239,182 A	3/1966	Blanz	5,180,067 A	1/1993	Conaway et al.
3,266,764 A	8/1966	Briles	5,190,170 A	3/1993	Steiner
3,307,710 A	3/1967	Negri	5,192,427 A	3/1993	Eger et al.
3,319,983 A	5/1967	Zibell	5,197,614 A	3/1993	Dalton et al.
3,343,685 A	9/1967	Giambalvo	5,255,401 A	10/1993	Sambrookes et al.
3,471,031 A	10/1969	Coplan	5,284,260 A	2/1994	Caligiuri, Sr.
3,533,583 A	10/1970	Azim	5,307,797 A	5/1994	Kleefeld
			5,318,175 A	6/1994	Stevens
			D351,751 S	10/1994	Brightbill et al.
			5,355,867 A	10/1994	Hall et al.
			5,429,252 A	7/1995	Liu

(56)

References Cited

U.S. PATENT DOCUMENTS

2003/0132181	A1	7/2003	Saulnier-Matteini
2003/0136782	A1	7/2003	Dicello et al.
2003/0222191	A1	12/2003	Tsai
2004/0188577	A1	9/2004	Gaderick
2005/0040301	A1	2/2005	Walter
2005/0139562	A1	6/2005	Chen
2005/0205509	A1	9/2005	Flynn
2005/0205722	A1	9/2005	Krueger
2006/0038097	A1	2/2006	Diller
2006/0124812	A1	6/2006	Berardi
2006/0130381	A1	6/2006	Caterinacci
2006/0180561	A1	8/2006	Wisnoski et al.
2006/0261022	A1	11/2006	Sampaio
2007/0045208	A1	3/2007	Quan
2007/0194191	A1	8/2007	Persson
2007/0235611	A1	10/2007	Riblet
2007/0295681	A1	12/2007	Colin
2008/0053935	A1	3/2008	Newbould et al.
2008/0142669	A1	6/2008	Zlotocha
2009/0134290	A1	5/2009	Begic et al.
2009/0188880	A1	7/2009	Yang et al.
2010/0000449	A1	1/2010	Botkin
2013/0313212	A1	11/2013	Lindo et al.
2015/0257533	A1	9/2015	Yang et al.
2015/0257534	A1	9/2015	Yang et al.

FOREIGN PATENT DOCUMENTS

AU	364940	10/2015
CA	132180	7/2010
CA	135666	3/2011
CA	136936	3/2011
CA	136937	9/2011
CN	301523949 S	4/2011
CN	301642065 S	8/2011
CN	301735061 S	11/2011
CN	303191392 S	4/2015
DE	29600613 U1	3/1996
EP	0717947 A2	6/1996

EP	2191757	6/2010
EP	001217053	8/2010
EP	001232896	10/2010
EP	001232912	10/2010
EP	001420582-0001	11/2014
EP	001438428-0001	8/2015
EP	001438394-0001	11/2015
EP	001438410-0001	11/2015
FR	2549361	1/1985
JP	D1136196	1/2002
KR	3020030000821	3/2003
WO	WO 2009/097298	8/2009
WO	WO 2013/005462 A1	1/2013
WO	WO 2015/138257 A1	9/2015

OTHER PUBLICATIONS

U.S. Appl. No. 29/518,327, filed Feb. 23, 2015, Yang et al.
 U.S. Appl. No. 29/518,582, filed Feb. 25, 2015, Yang et al.
 U.S. Appl. No. 14/634,408, filed Feb. 27, 2015, Yang et al.
 U.S. Appl. No. 14/638,940, filed Mar. 4, 2015, Yang et al.
 International Search Report and Written Opinion for International Patent Application No. PCT/US2015/019282, dated Jun. 8, 2015, in 13 pages.
 Magnite—The Magnetic Shower Caddy by Max Hunt, Coroflot product webpage; available as early as Aug. 10, 2012, retrieved on Feb. 17, 2015 from internet, URL: <http://www.coroflot.com/theha/Magnite-The-Magnetic-Shower-Caddy>.
 White Adjustable Shower Caddy, Simplehuman SKU# BT1015, available at least as early as Dec. 14, 2007 on the internet at www.simplehuman.com (see <http://web.archive.org/web/20071221125437/www.simplehuman.com/products/bathroom-organization/white-shower-caddy.html>).
 Office Action for Canadian Application No. 158594, dated Jan. 9, 2015, in 2 pages.
 Office Action for Canadian Application No. 158594, dated Mar. 6, 2015, in 3 pages.
 Office Action for Canadian Application No. 158594, dated Jul. 21, 2015, in 1 page.

* cited by examiner

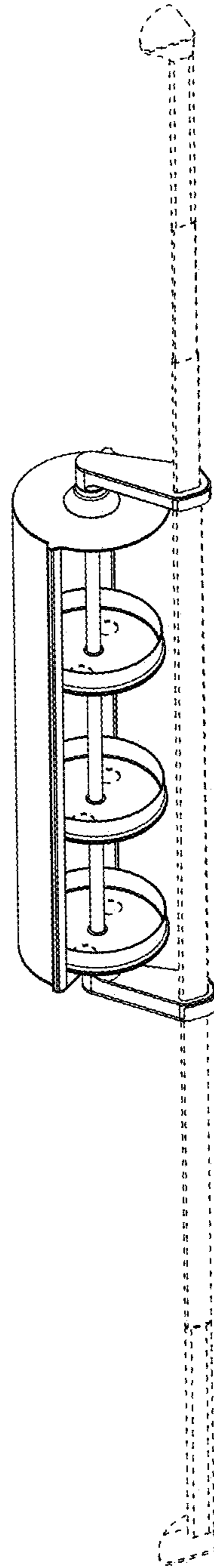


FIG. 1

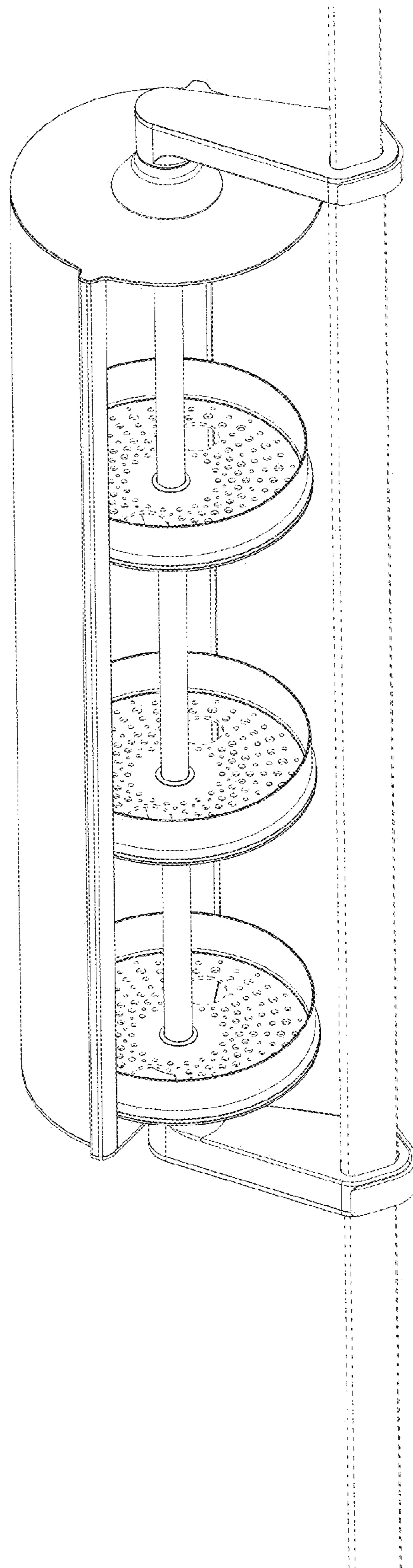


FIG. 2

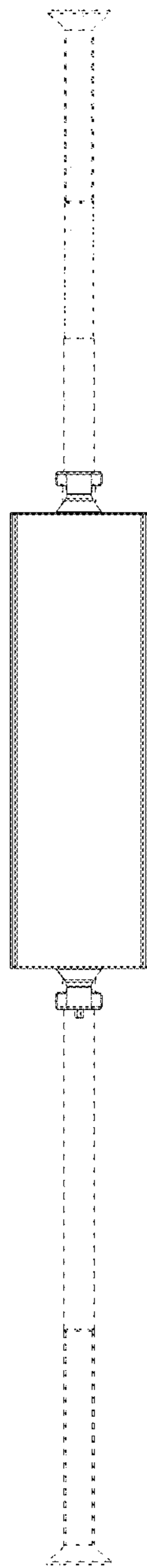


FIG. 3

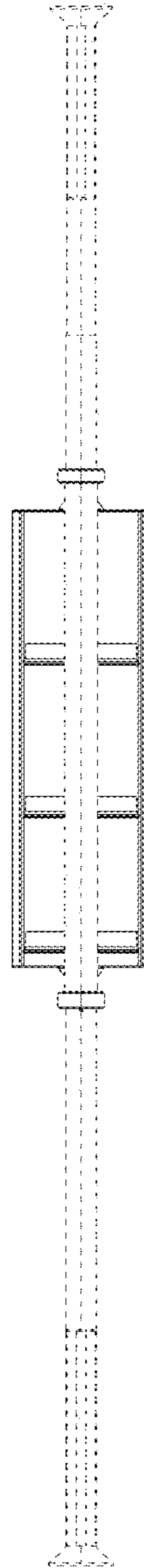


FIG. 4

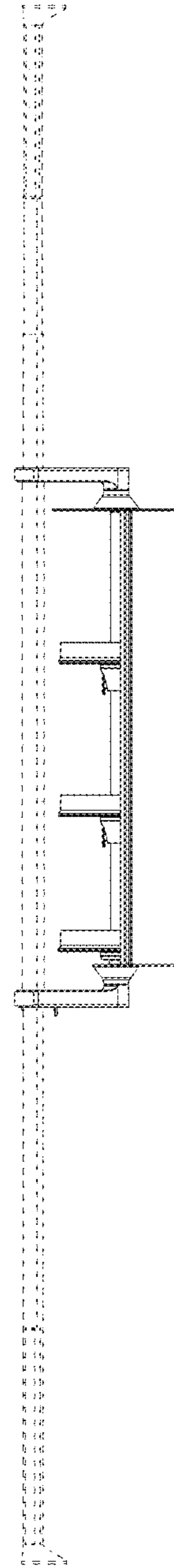


FIG. 5

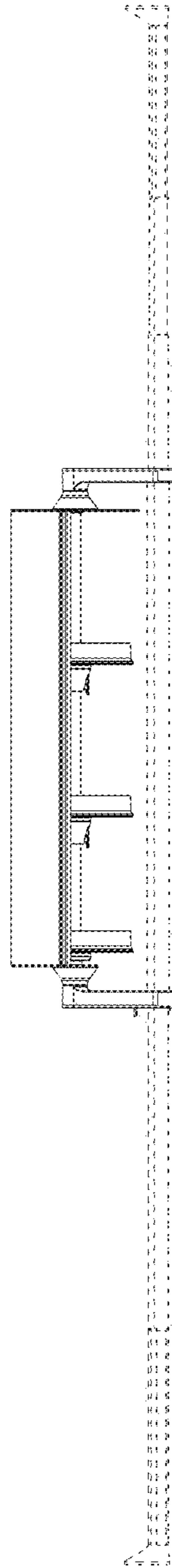


FIG. 6

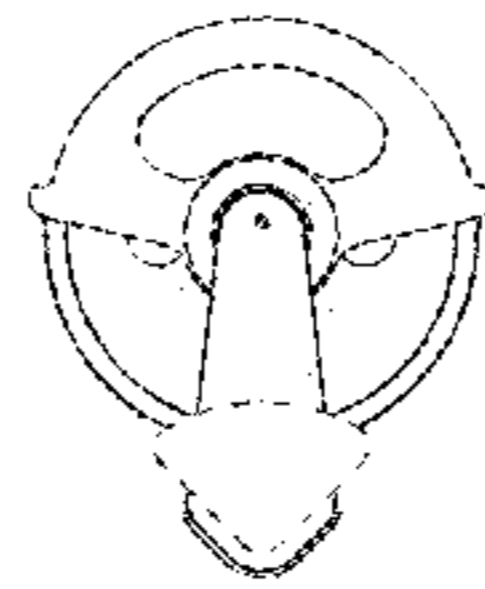


FIG. 7

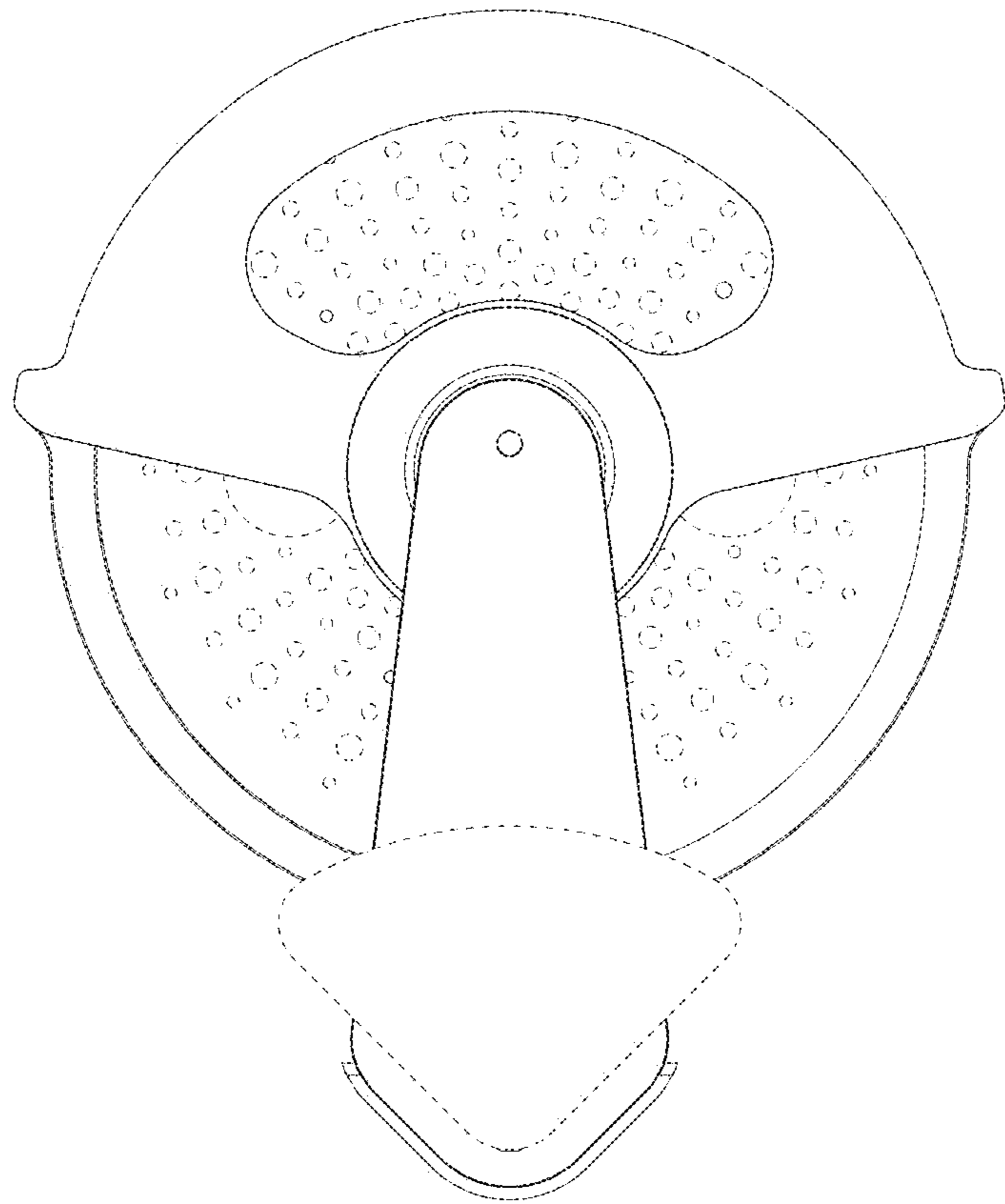


FIG. 8

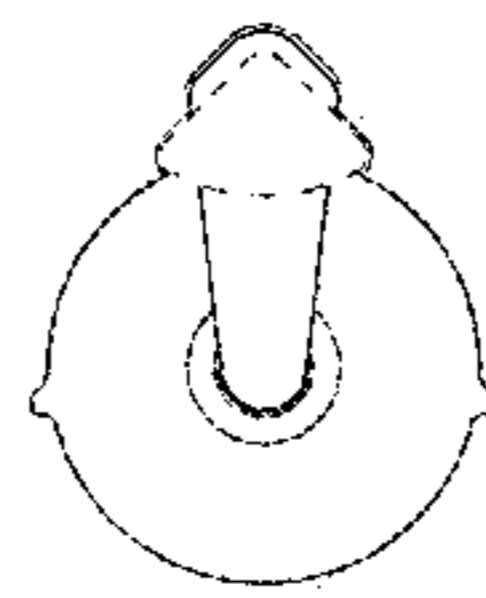


FIG. 9

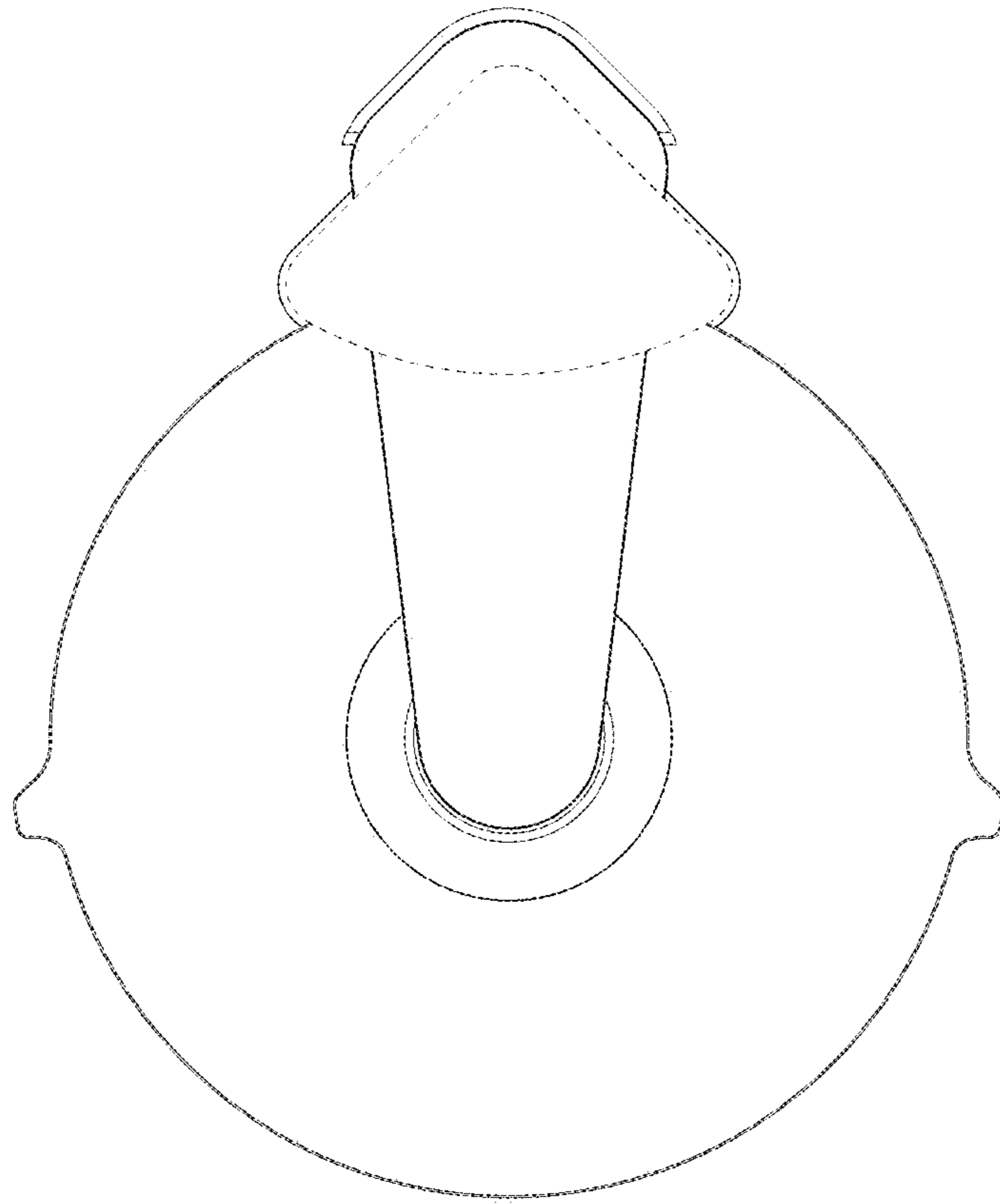


FIG. 10