



(12) **United States Design Patent**
Gaschy et al.

(10) **Patent No.:** **US D753,409 S**
(45) **Date of Patent:** **** Apr. 12, 2016**

(54) **BAG SUPPORT**
(71) Applicant: **Steelcase S.A.**, Schiltigheim (FR)
(72) Inventors: **Bryony Gaschy**, Oberhausbergen (FR);
Alban Morinière, Strasbourg (FR);
Karl-Heinz Mueller, Prutting (DE);
Karine Delforge, Kuttolsheim (FR)
(73) Assignee: **Steelcase Inc.**, Grand Rapids, MI (US)
(**) Term: **14 Years**
(21) Appl. No.: **29/502,799**
(22) Filed: **Sep. 19, 2014**

1,108,692 A * 8/1914 Burd et al. A47B 13/16
108/97
3,289,615 A * 12/1966 Marschak A47B 97/00
108/97
D236,030 S * 7/1975 Stemmler et al. D18/44
D281,614 S * 12/1985 Carpenter D19/76
D297,335 S * 8/1988 Atwell D19/86
4,760,983 A * 8/1988 McNerney B65B 67/12
220/495.08
D325,600 S * 4/1992 Schmidt D19/100
5,119,742 A * 6/1992 Simmie A47B 21/0314
108/152
D338,048 S * 8/1993 Finley D21/796
D366,903 S * 2/1996 Baggott D19/78
D386,337 S * 11/1997 Zissu D6/512
D403,268 S * 12/1998 Dignam D11/156
5,876,002 A * 3/1999 White A47B 21/03
108/69

(Continued)

(30) **Foreign Application Priority Data**
Jun. 27, 2014 (EM) 002491977-0001
(51) **LOC (10) Cl.** **06-06**
(52) **U.S. Cl.**
USPC **D6/513**
(58) **Field of Classification Search**
USPC D6/512, 513, 567, 574, 323, 325;
D8/349, 354, 367, 373, 380, 381;
D19/75
CPC A47B 3/06; A47B 21/06; A47B 3/00;
A47B 21/00; A47B 96/06; A47B 96/02;
A47B 96/027; A47G 25/06; A47F 5/0025;
A47F 5/112
See application file for complete search history.

FOREIGN PATENT DOCUMENTS

CA 2310824 C 9/2005
CN 201518894 U 7/2010

(Continued)

Primary Examiner — John Windmuller
Assistant Examiner — Steven Czyz

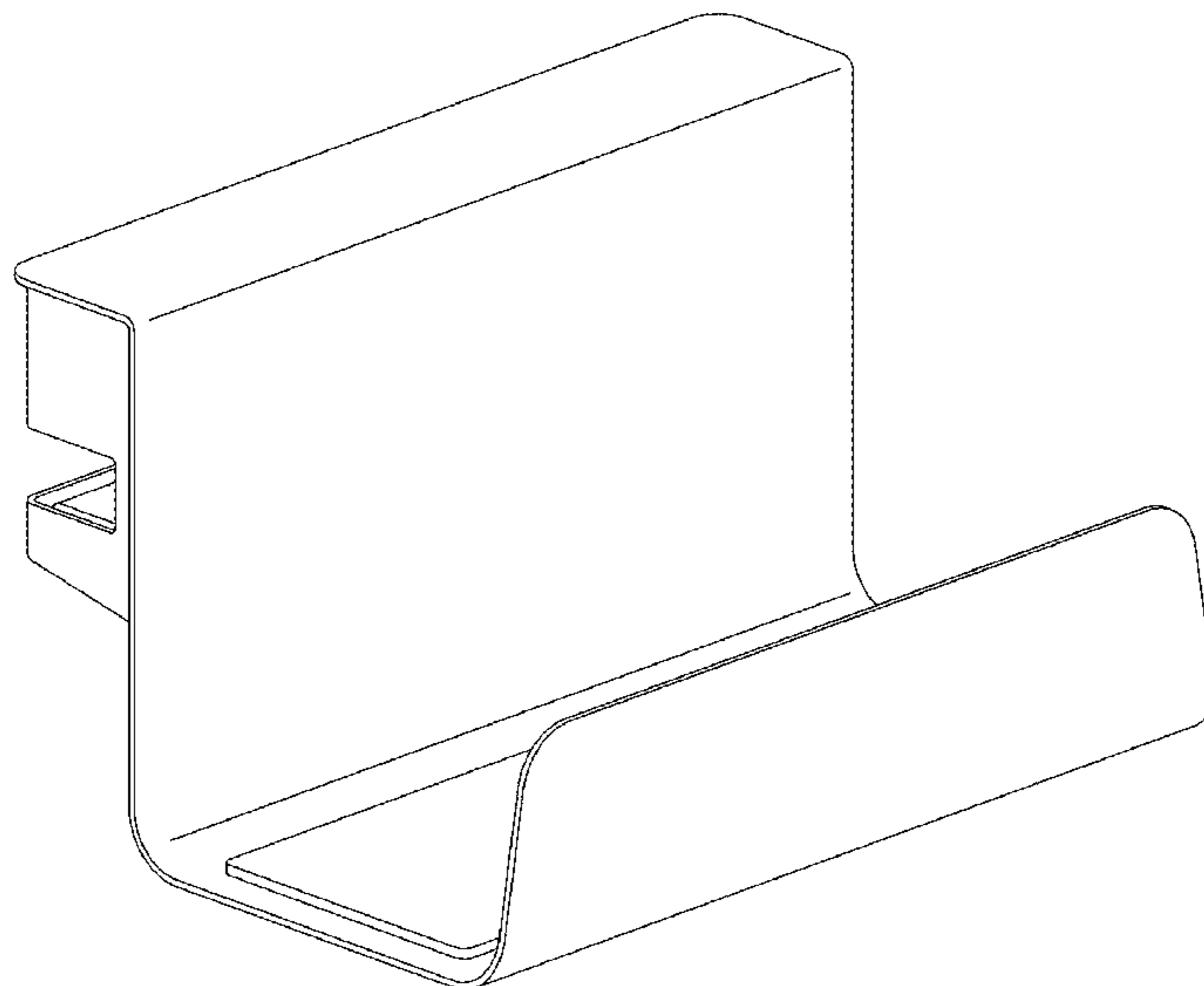
(57) **CLAIM**
We claim the ornamental design for a bag support, as shown and described.

DESCRIPTION

FIG. 1 is a front perspective view of a bag support;
FIG. 2 is a rear perspective view of a bag support of FIG. 1;
FIG. 3 is a front view of a bag support of FIG. 1;
FIG. 4 is a rear view of a bag support of FIG. 1;
FIG. 5 is a right side view of a bag support of FIG. 1, the left side is a mirror image of the right side view of FIG. 5;
FIG. 6 is a top view of a bag support of FIG. 1; and,
FIG. 7 is a bottom view of a bag support of FIG. 1.

1 Claim, 4 Drawing Sheets

(56) **References Cited**
U.S. PATENT DOCUMENTS
209,176 A 10/1878 Mackay
937,639 A * 10/1909 Paulsen et al. A47B 1/04
108/69



(56)

References Cited

U.S. PATENT DOCUMENTS

5,964,618 A * 10/1999 McCarthy H01R 13/6666
 439/535
 6,243,257 B1 * 6/2001 Ester H01R 13/72
 200/51 R
 6,340,145 B1 * 1/2002 Tagami A47B 21/0314
 108/26
 6,379,182 B1 * 4/2002 Byrne H01R 13/74
 439/574
 D484,140 S * 12/2003 Rowell D14/471
 D494,185 S * 8/2004 Rowell D14/471
 6,971,911 B2 * 12/2005 Ramsey A47B 21/06
 248/231.71
 D546,610 S * 7/2007 Blanchard D6/567
 D589,728 S * 4/2009 Shaha D3/304
 D605,498 S * 12/2009 Carl D8/367
 D608,574 S * 1/2010 Goodman D6/513
 D613,151 S * 4/2010 Goodman D8/367

7,736,178 B2 * 6/2010 Byrne G06F 1/266
 439/527
 D624,758 S * 10/2010 Seehoff D6/323
 D626,747 S * 11/2010 Brown D3/304
 D662,344 S * 6/2012 Cook D6/513
 D679,095 S * 4/2013 Williams D3/328
 D681,984 S * 5/2013 Cramer D6/513
 D723,293 S * 3/2015 Goodman D6/513
 D727,651 S * 4/2015 San Martin D6/513
 D737,595 S * 9/2015 Eilmus D6/513
 2004/0200940 A1 * 10/2004 Pacheco A47C 7/62
 248/301
 2007/0283854 A1 * 12/2007 Taylor B66F 7/28
 108/42

FOREIGN PATENT DOCUMENTS

DE 102009056947 A1 6/2011
 EP 2575539 A1 4/2013
 GB 2438469 A 11/2007

* cited by examiner

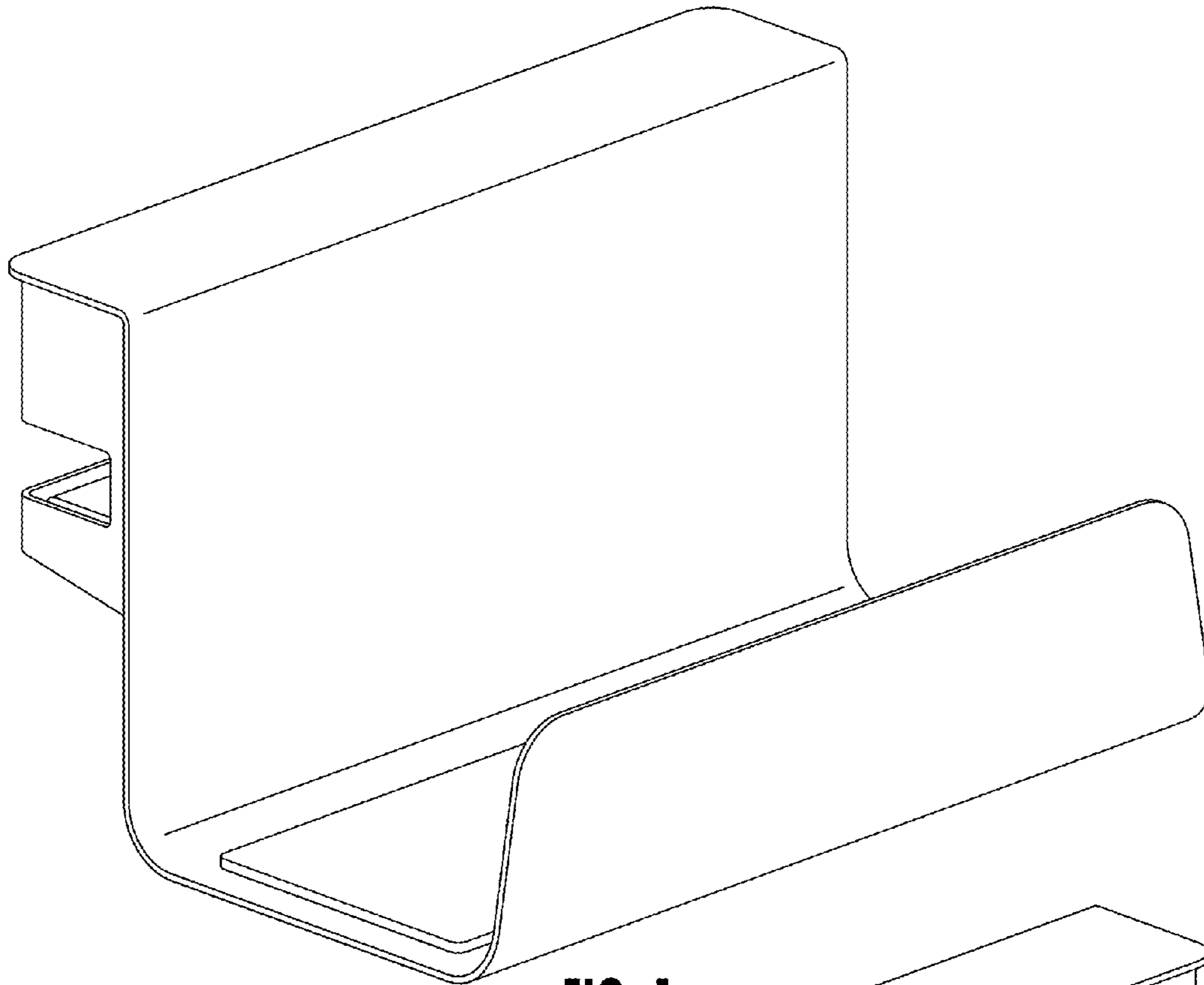


FIG. 1

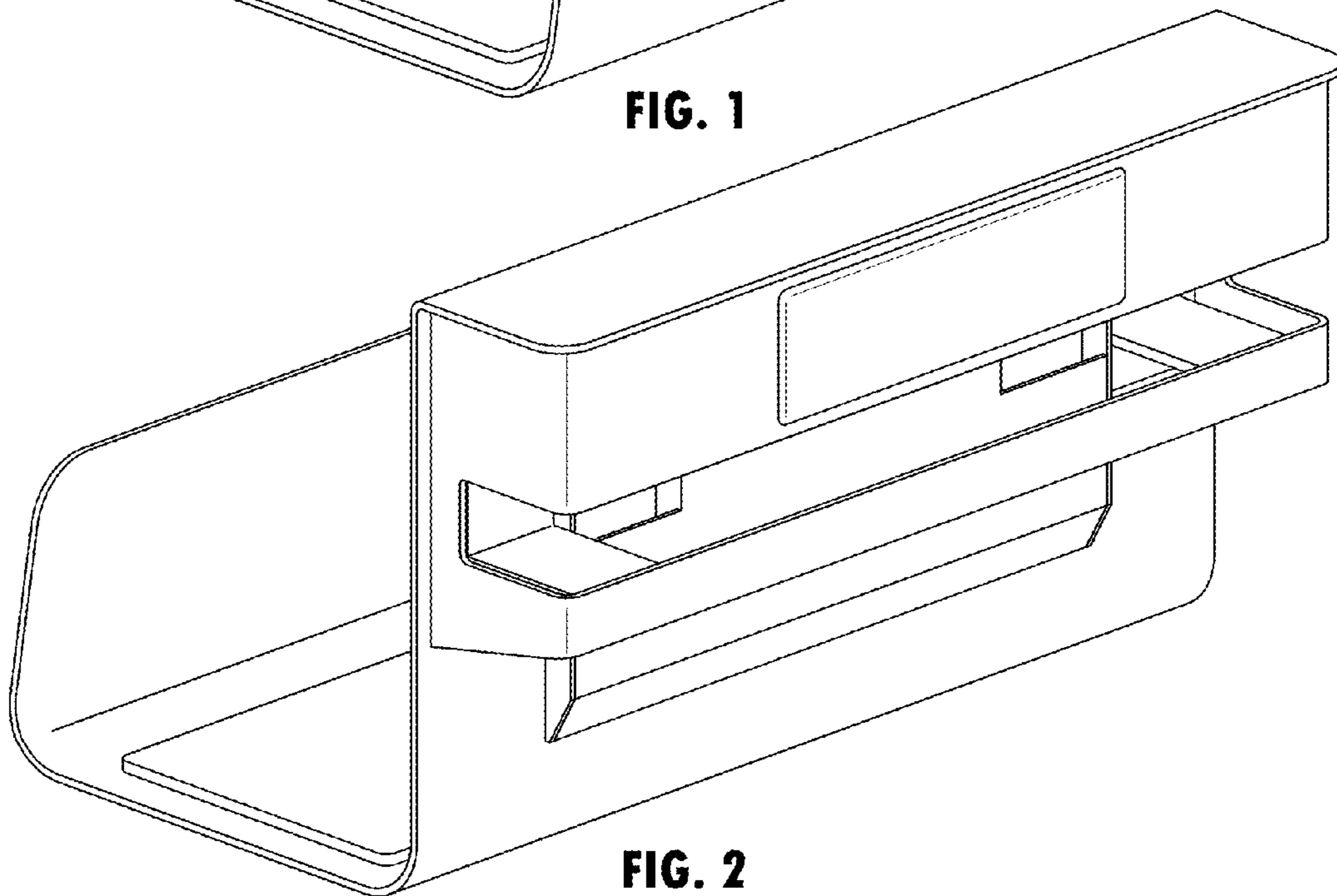


FIG. 2

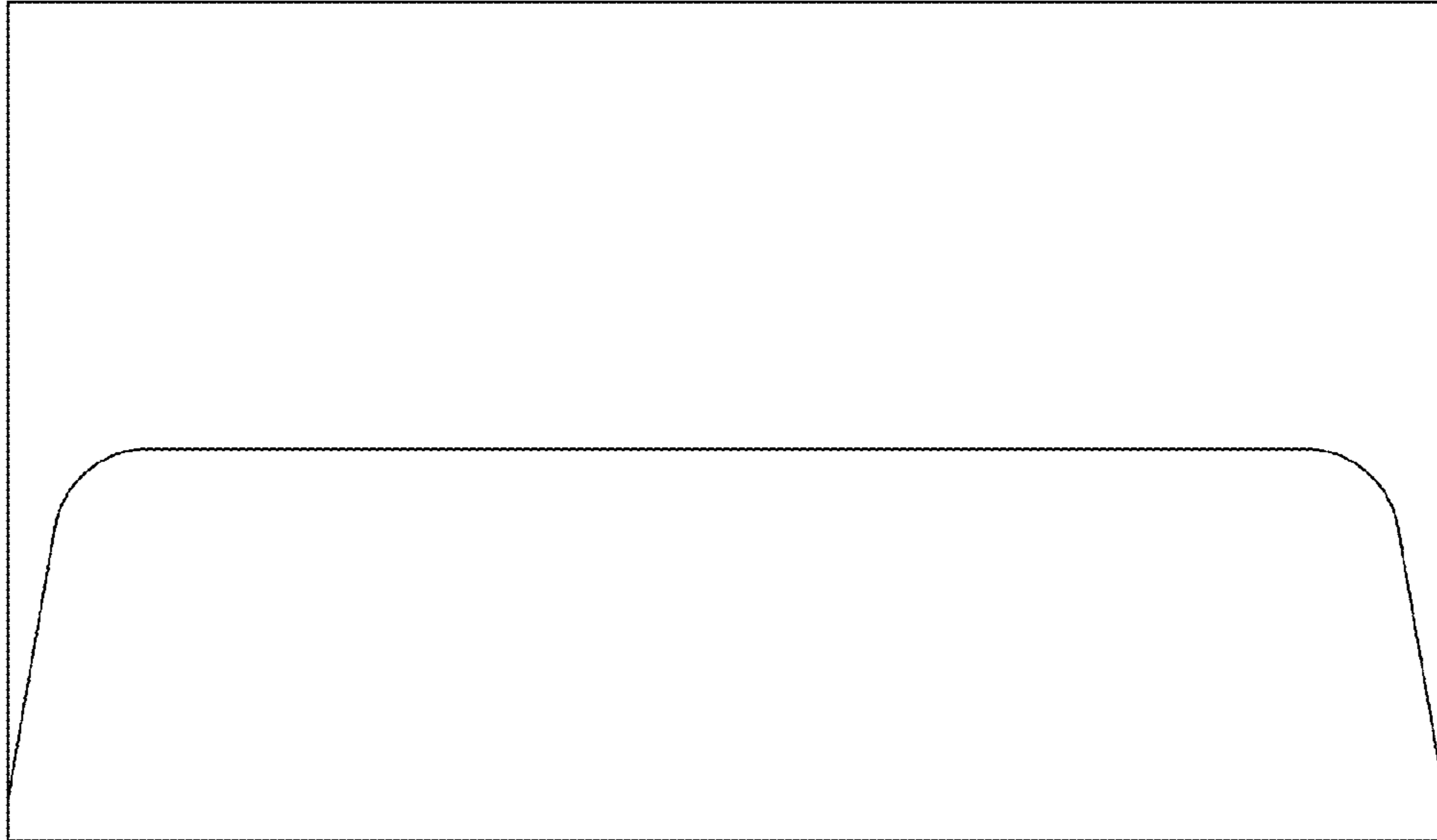


FIG. 3

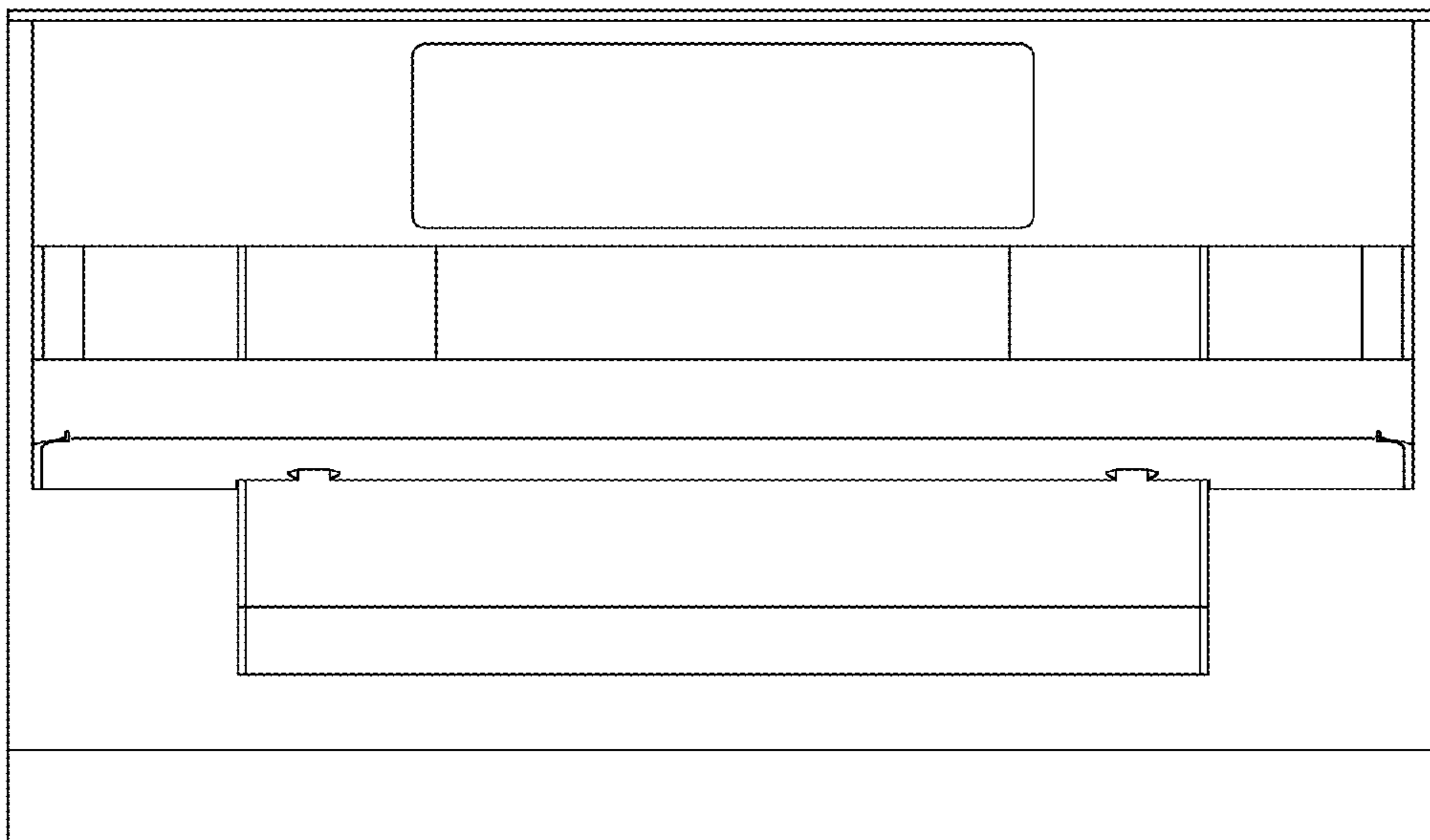


FIG. 4

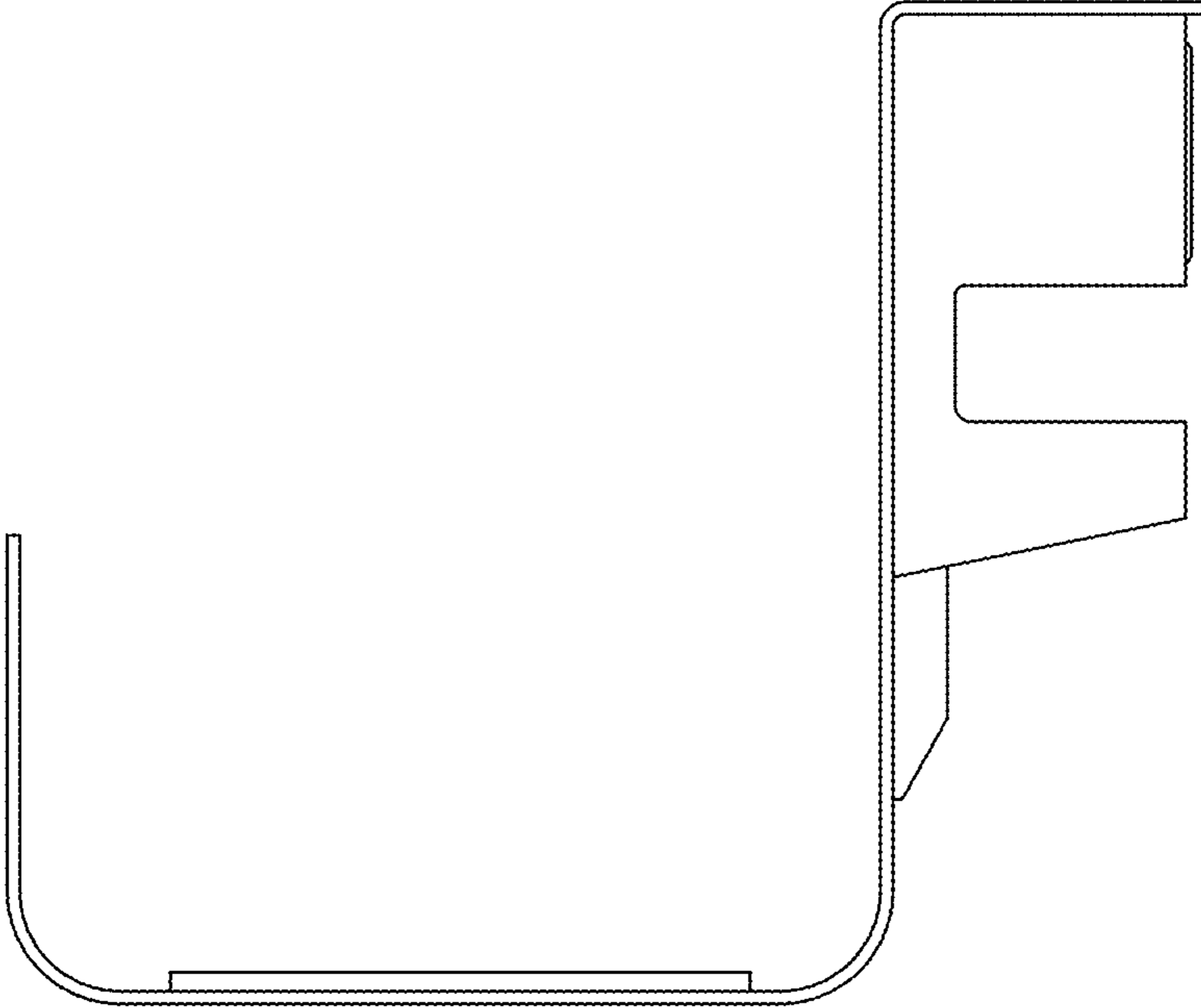


FIG. 5

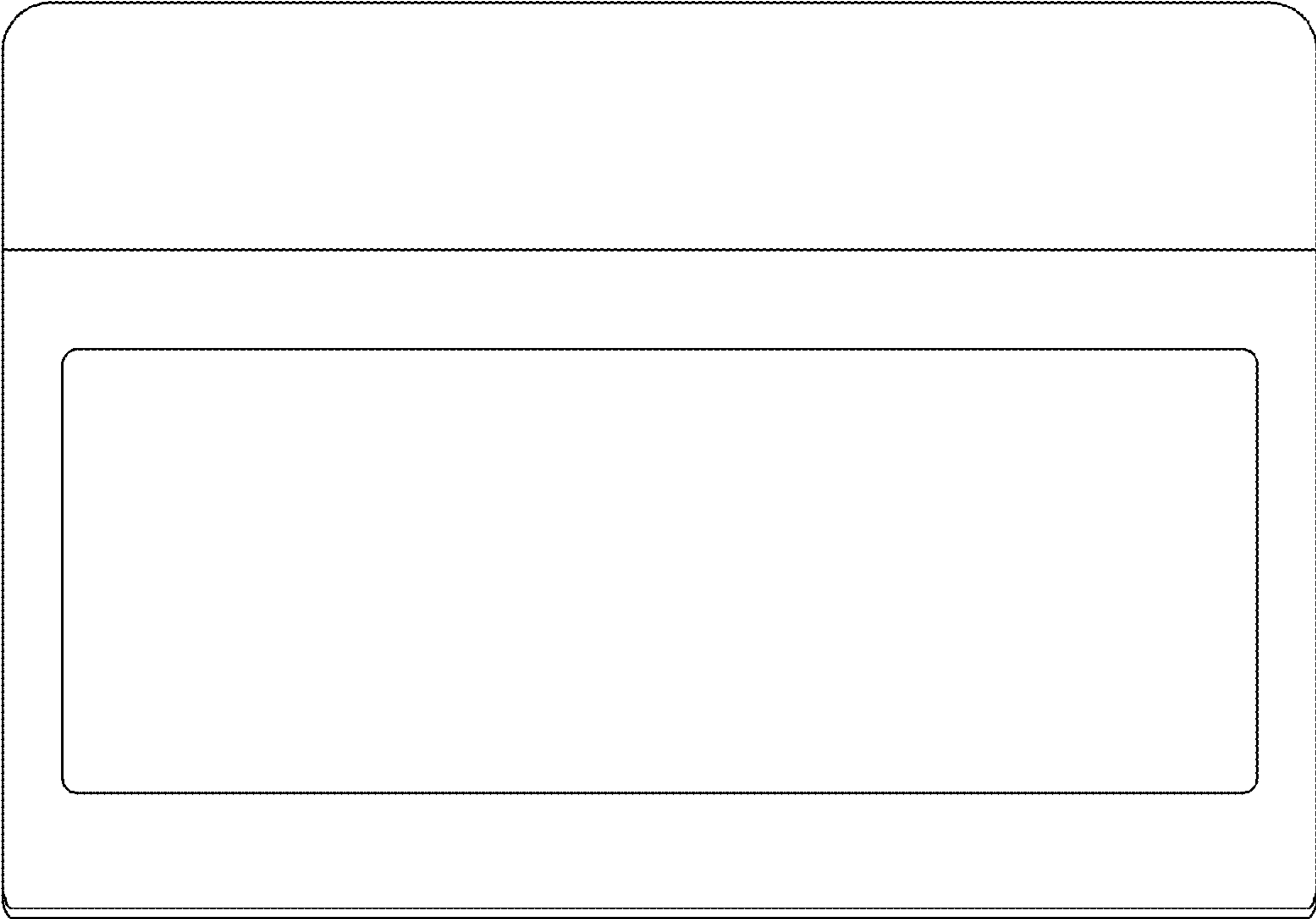


FIG. 6

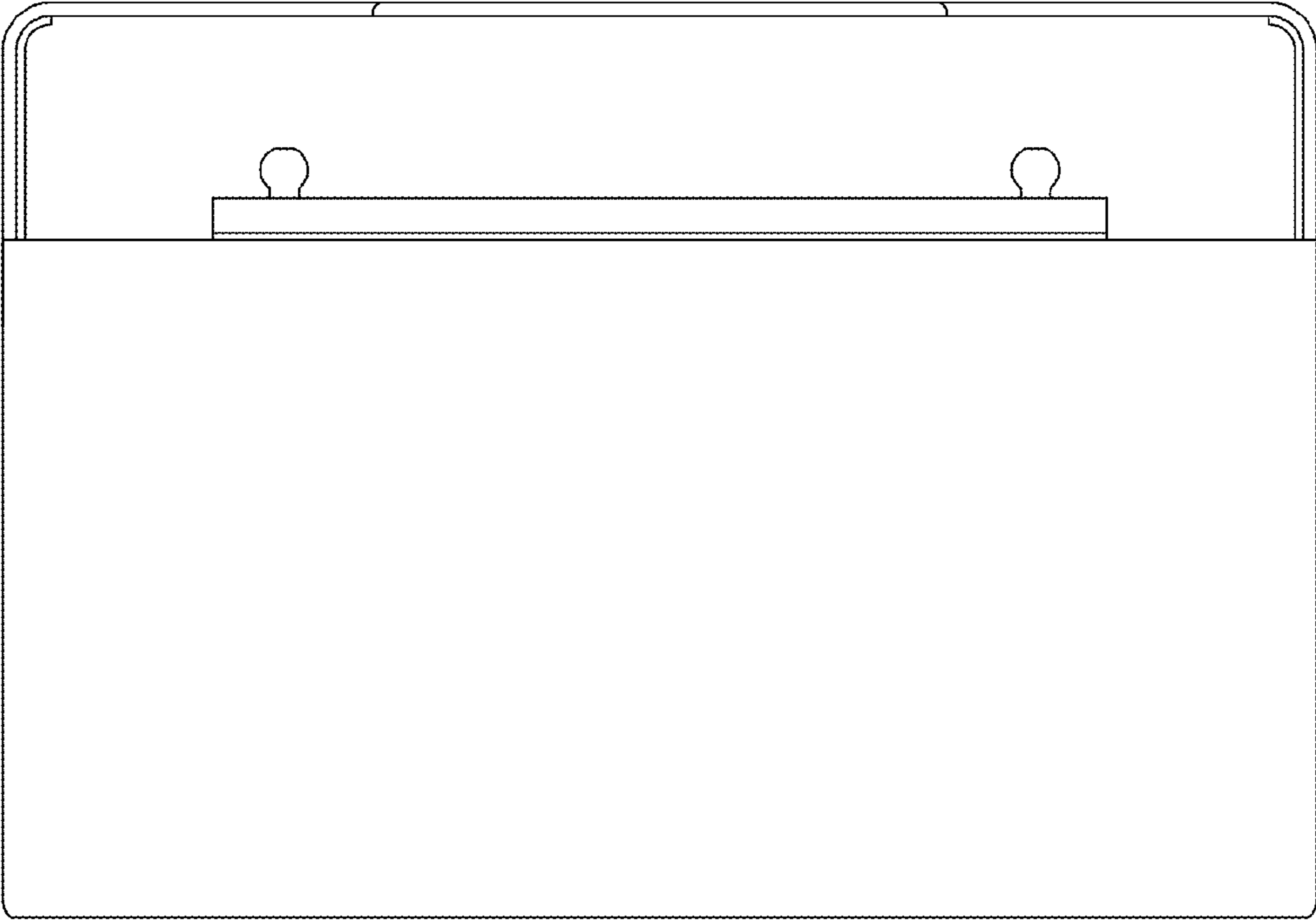


FIG. 7