



US00D753408S

(12) **United States Design Patent**
Lade

(10) **Patent No.:** **US D753,408 S**
(45) **Date of Patent:** **** Apr. 12, 2016**

(54) **SOFA**

(71) Applicant: **Ekornes ASA**, Ikornnes (NO)

(72) Inventor: **Jan Lade**, Straumgjerde (NO)

(73) Assignee: **EKORNES ASA**, Ikornnes (NO)

(**) Term: **14 Years**

(21) Appl. No.: **29/523,968**

(22) Filed: **Apr. 15, 2015**

(30) **Foreign Application Priority Data**

Oct. 17, 2014 (NO) DS20140910

(51) **LOC (10) Cl.** **06-01**

(52) **U.S. Cl.**
USPC **D6/381**

(58) **Field of Classification Search**
USPC D6/334, 335, 336, 338, 349, 355, 381,
D6/716, 716.1; 297/118, 119, 135, 144,
297/232, 445.1, 448.1, 452.18; 5/12.1, 12.2
CPC A47C 1/02; A47C 1/12; A47C 11/00;
A47C 17/00; A47C 17/02

See application file for complete search history.

(56) **References Cited**

U.S. PATENT DOCUMENTS

3,511,536 A *	5/1970	Suzuki	A47C 4/022 297/450.1
D412,622 S *	8/1999	DeJule	D6/371
D440,422 S *	4/2001	DeJule	D6/371
D470,669 S *	2/2003	Stewart	D6/370
D575,073 S *	8/2008	Mitjans	D6/381
D607,227 S *	1/2010	Massaud	D6/381
D635,788 S *	4/2011	Schwamkrug	D6/371

* cited by examiner

Primary Examiner — Sandra Snapp

(74) *Attorney, Agent, or Firm* — Thomas Schneck

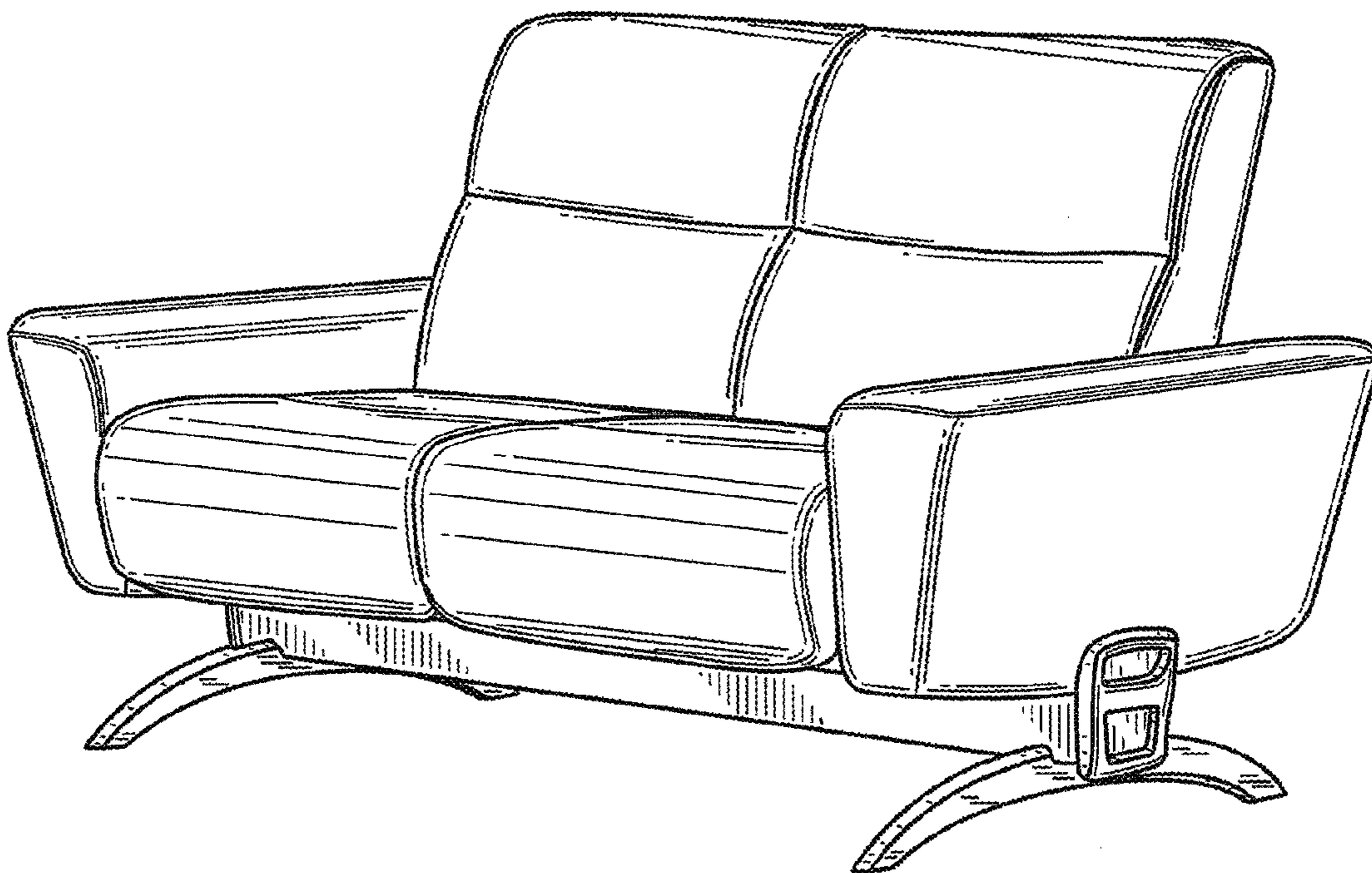
(57) **CLAIM**

I claim the design for a sofa, as shown and described.

DESCRIPTION

FIG. 1 is a front perspective view of a sofa of my design;
FIG. 2 is a front elevational view thereof;
FIG. 3 is a rear elevational view thereof;
FIG. 4 is a right side elevational view thereof;
FIG. 5 is a left side elevational view thereof;
FIG. 6 is a top plan view thereof; and,
FIG. 7 is a bottom plan view thereof.

1 Claim, 4 Drawing Sheets



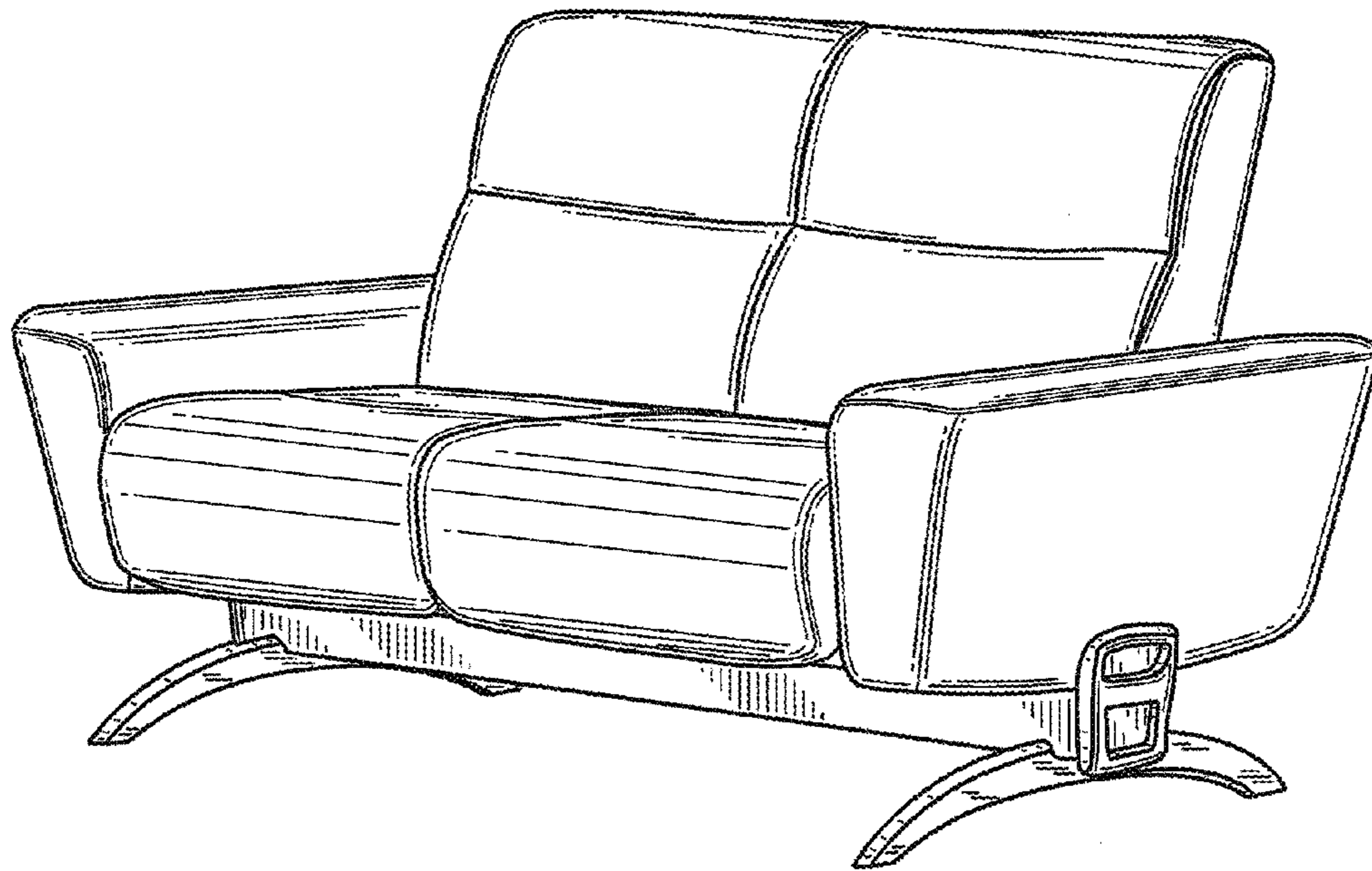


Fig. 1

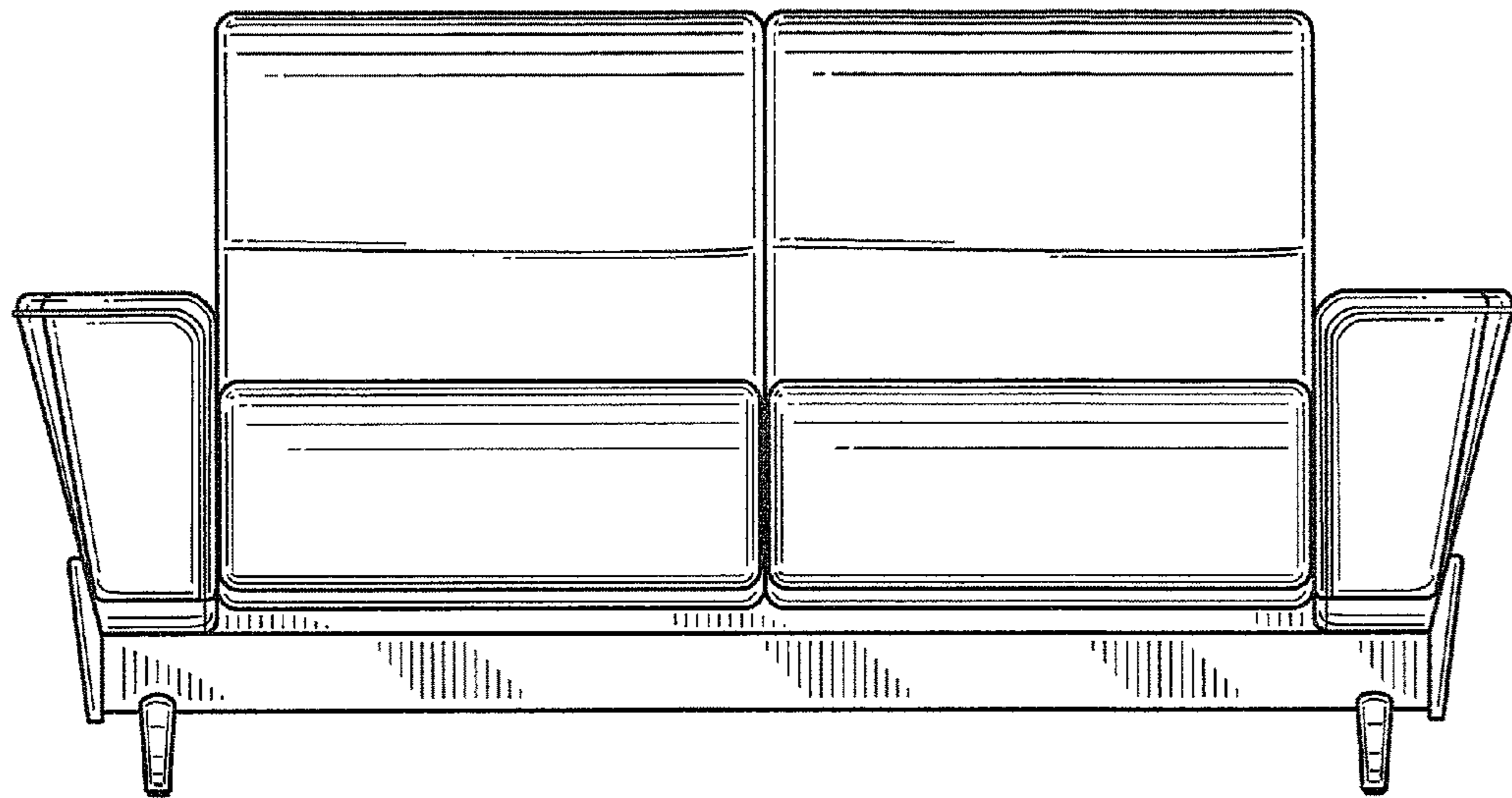


Fig. 2

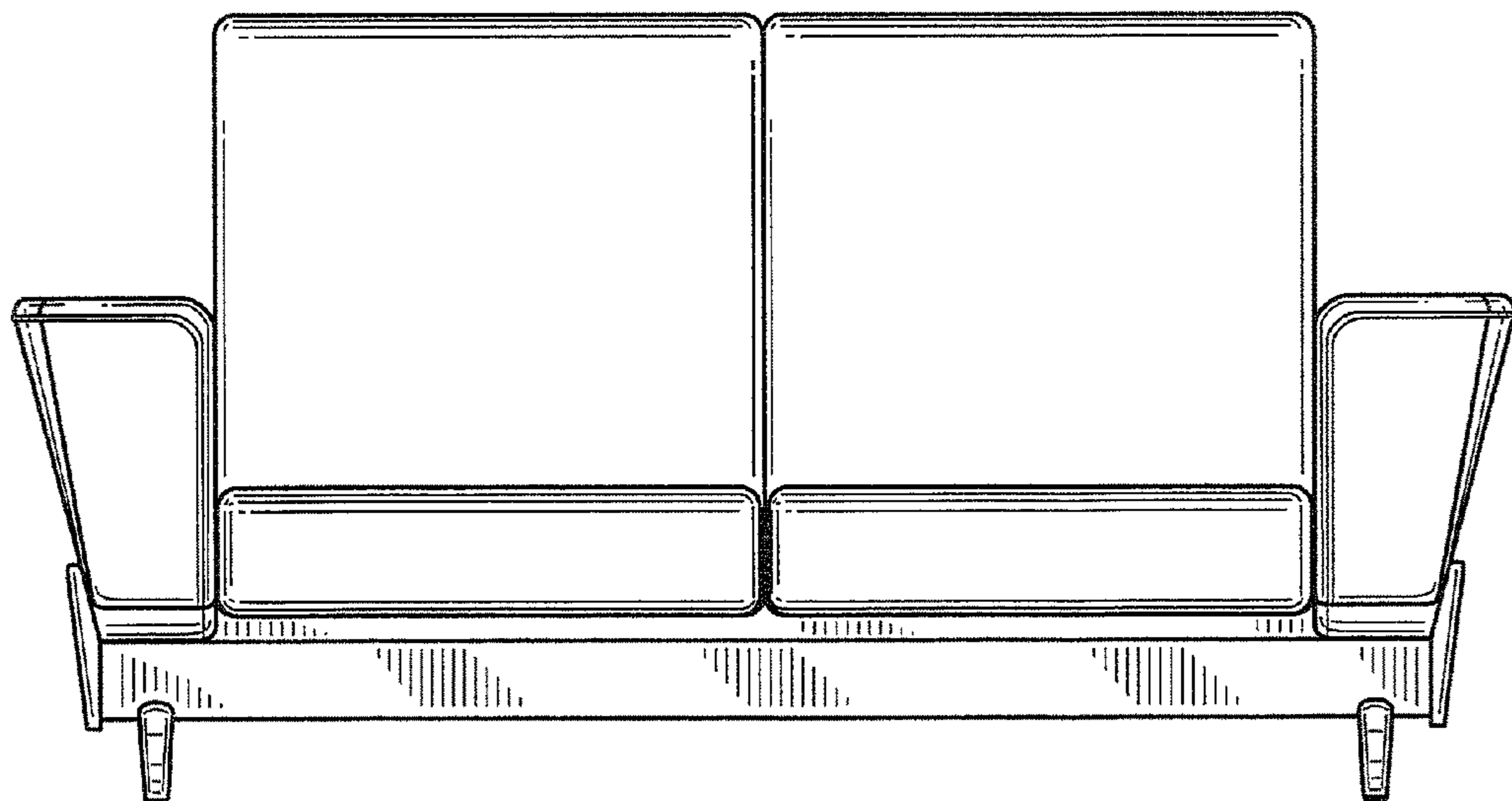


Fig. 3

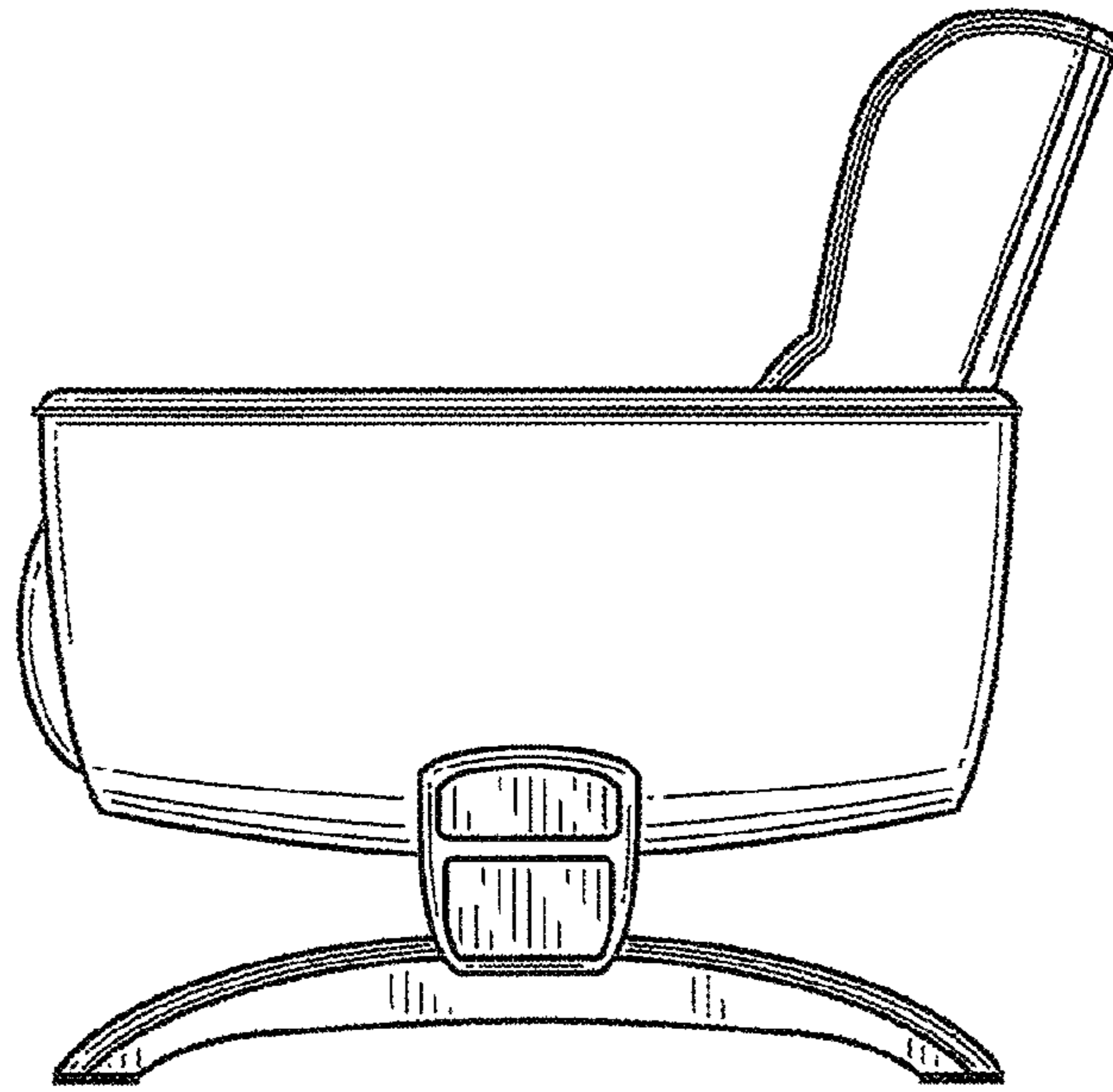


Fig. 4

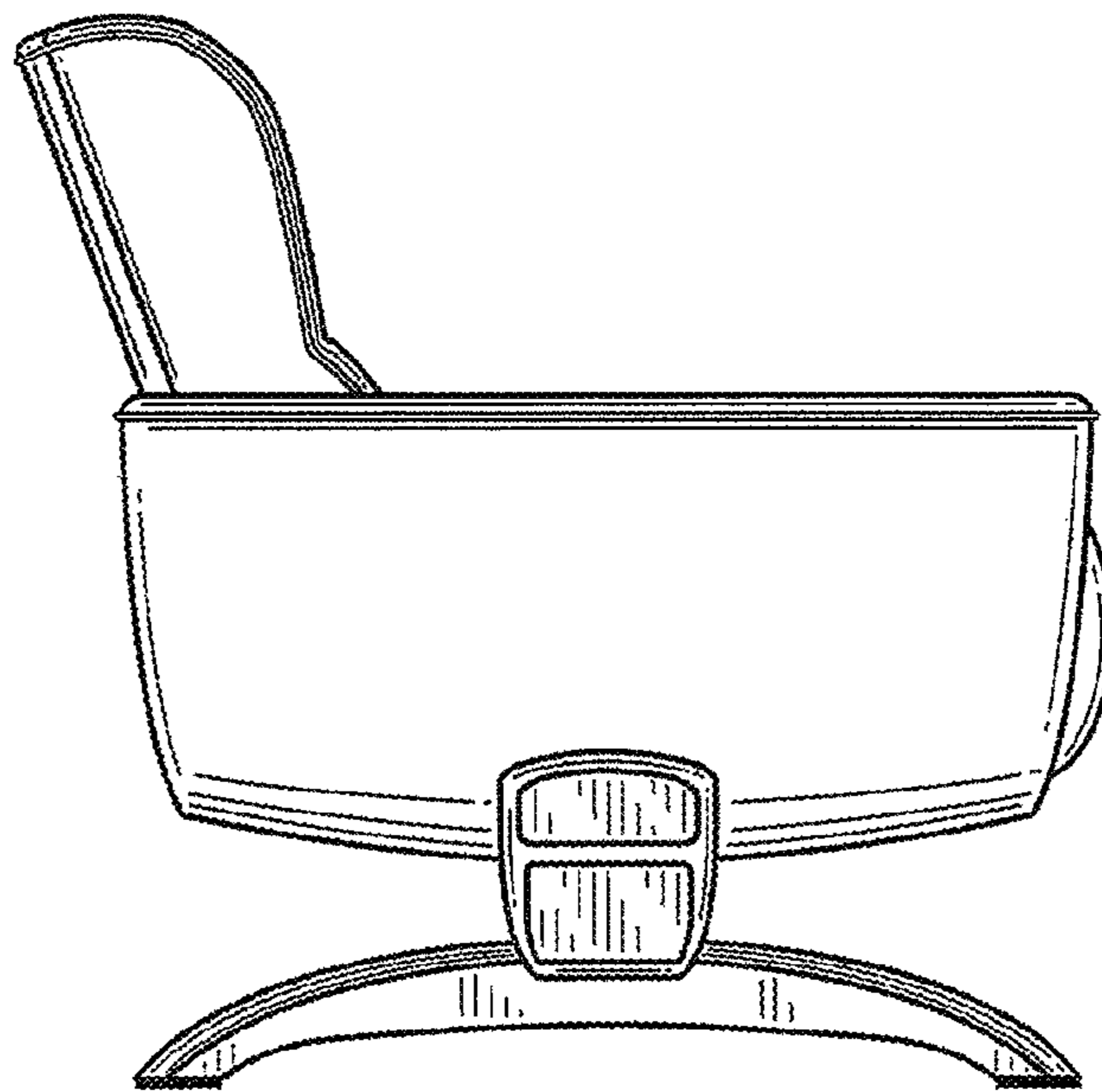


Fig. 5

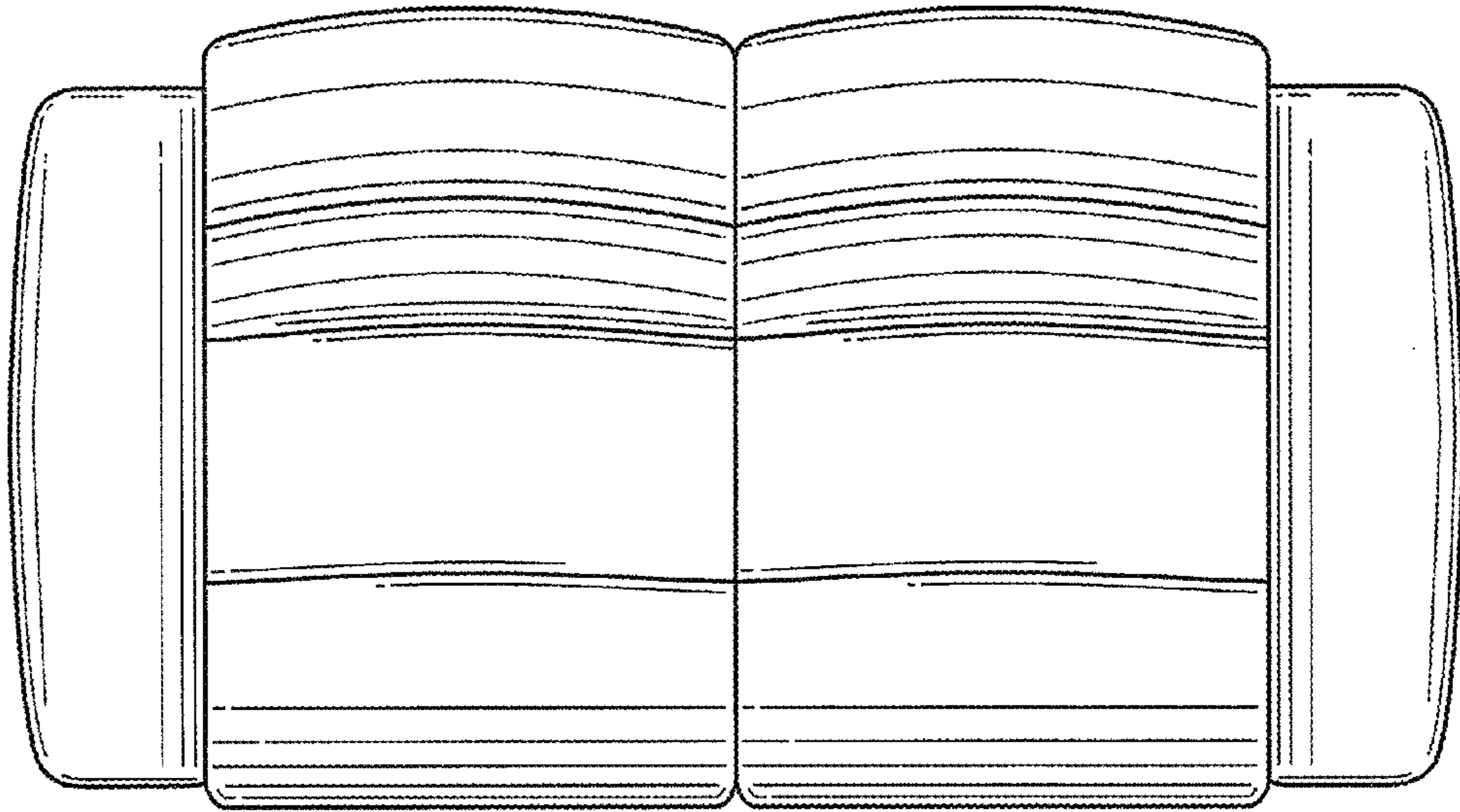


Fig. 6

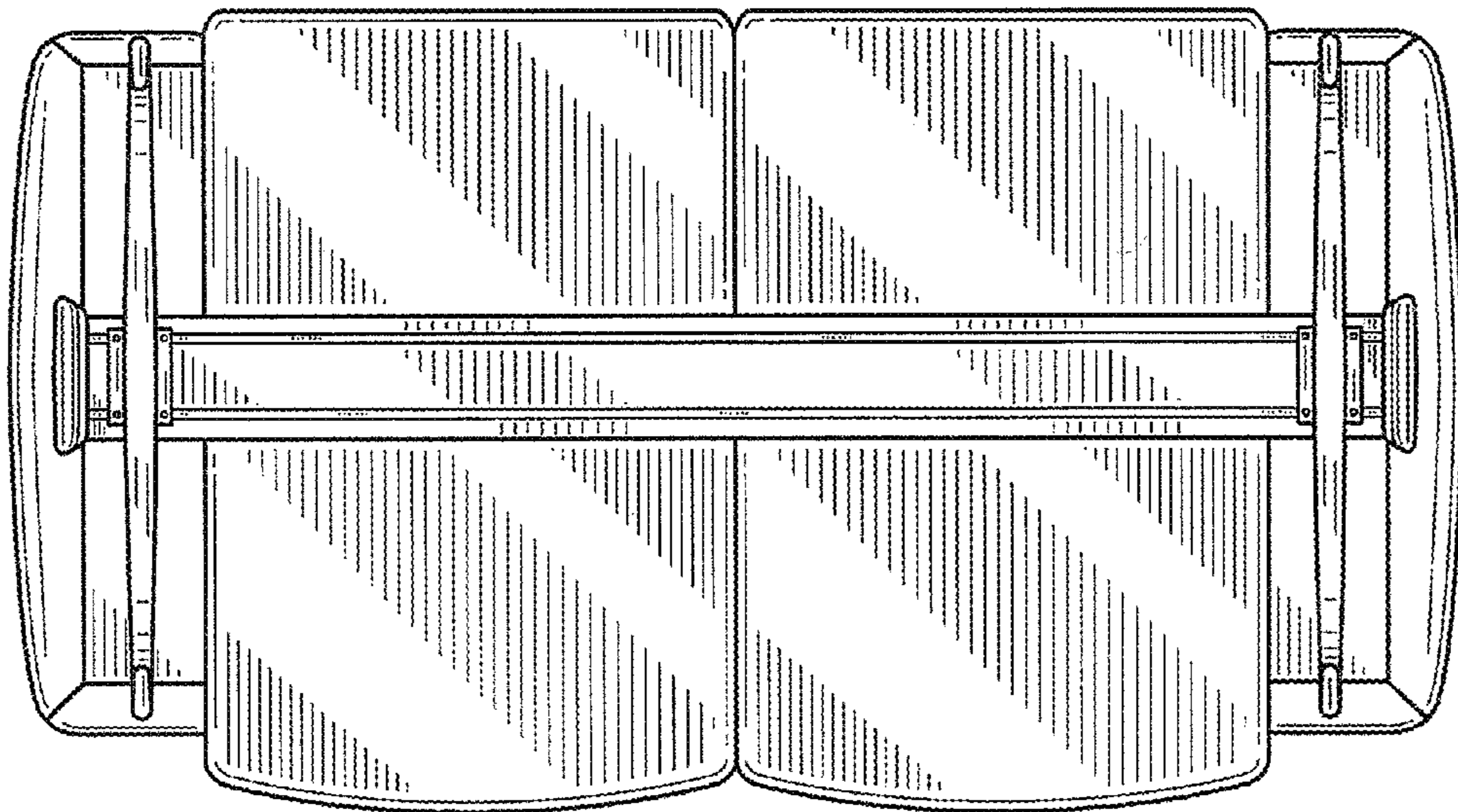


Fig. 7