



US00D753407S

(12) **United States Design Patent**  
**Kubryk**

(10) **Patent No.:** **US D753,407 S**  
(45) **Date of Patent:** **\*\* Apr. 12, 2016**

- (54) **STACKING CHAIR**
- (71) Applicant: **Isaac Kubryk**, Lockeford, CA (US)
- (72) Inventor: **Isaac Kubryk**, Lockeford, CA (US)
- (73) Assignee: **Global Allies, LLC**, Lockeford, CA (US)
- (\*\*) Term: **14 Years**
- (21) Appl. No.: **29/522,861**
- (22) Filed: **Apr. 2, 2015**
- (51) **LOC (10) Cl.** ..... **06-01**
- (52) **U.S. Cl.**  
USPC ..... **D6/380**
- (58) **Field of Classification Search**  
USPC ..... D6/334-336, 374, 376, 379, 380, 716,  
D6/716.1, 716.3, 716.4  
CPC ..... A47C 3/04; A47C 4/02; A47C 4/03;  
A47C 4/024; A47C 4/028; A47C 7/16  
See application file for complete search history.

D486,319 S *	2/2004	Stanton	.....	D6/379
D487,991 S *	4/2004	O'Hare	.....	D6/379
D494,375 S *	8/2004	Starck	.....	D6/374
D496,173 S *	9/2004	Starck	.....	D6/374
D497,729 S *	11/2004	Peitz	.....	D6/379
D544,236 S *	6/2007	Swy	.....	D6/374
D590,620 S *	4/2009	Ziliani	.....	D6/374
D618,006 S *	6/2010	Price	.....	D6/380
D647,721 S *	11/2011	Schmitt	.....	D6/380

\* cited by examiner

*Primary Examiner* — Mimosa De

(74) *Attorney, Agent, or Firm* — Audrey A. Millemann; Weintraub Tobin

(57) **CLAIM**

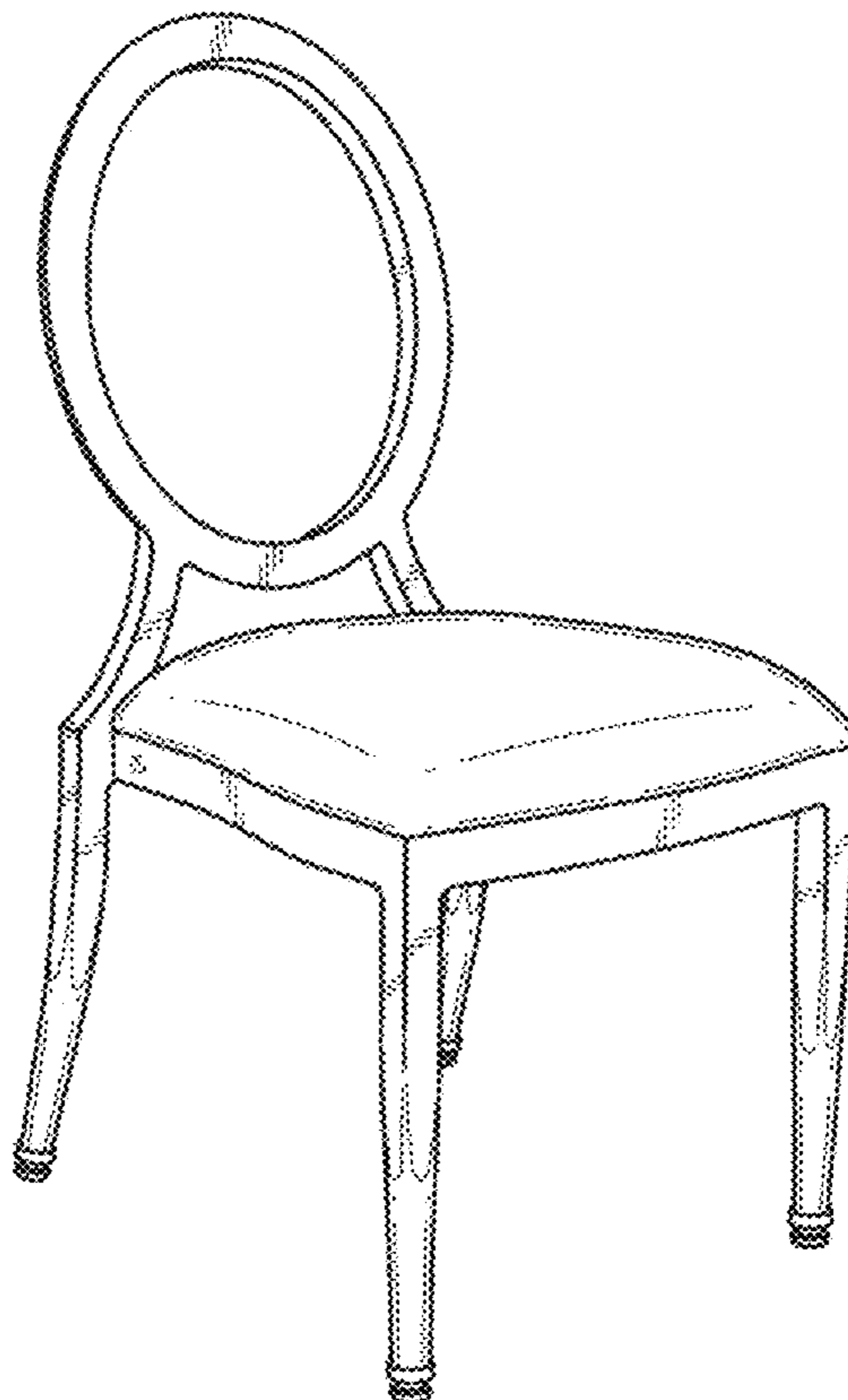
The ornamental design for a stacking chair, as shown and described.

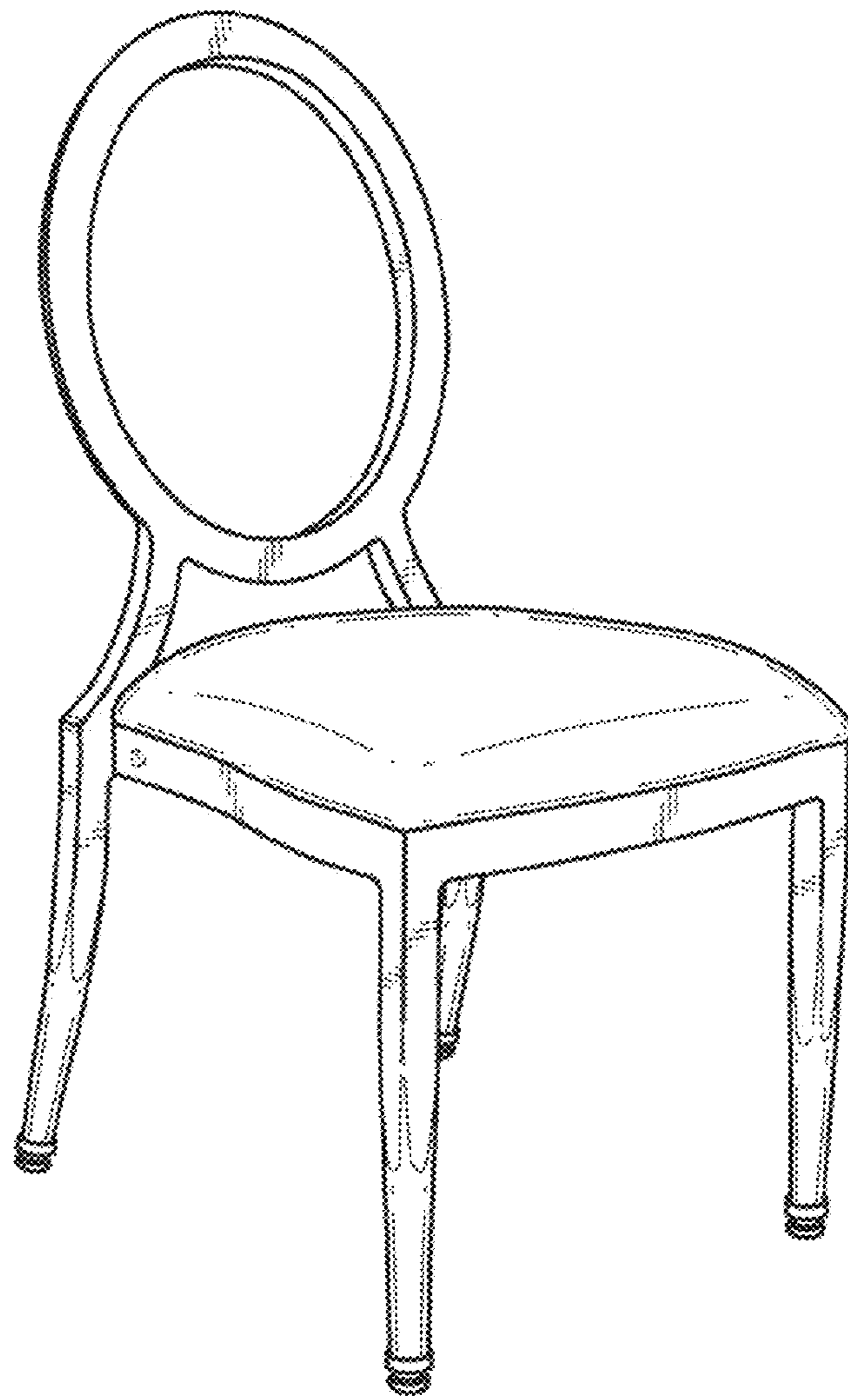
**DESCRIPTION**

FIG. 1 is a perspective view of a stacking chair, looking toward the right front corner, showing my new design; FIG. 2 is a front view thereof; FIG. 3 is a right side view thereof; FIG. 4 is a back view thereof; FIG. 5 is a top view thereof; and, FIG. 6 is a bottom view thereof.

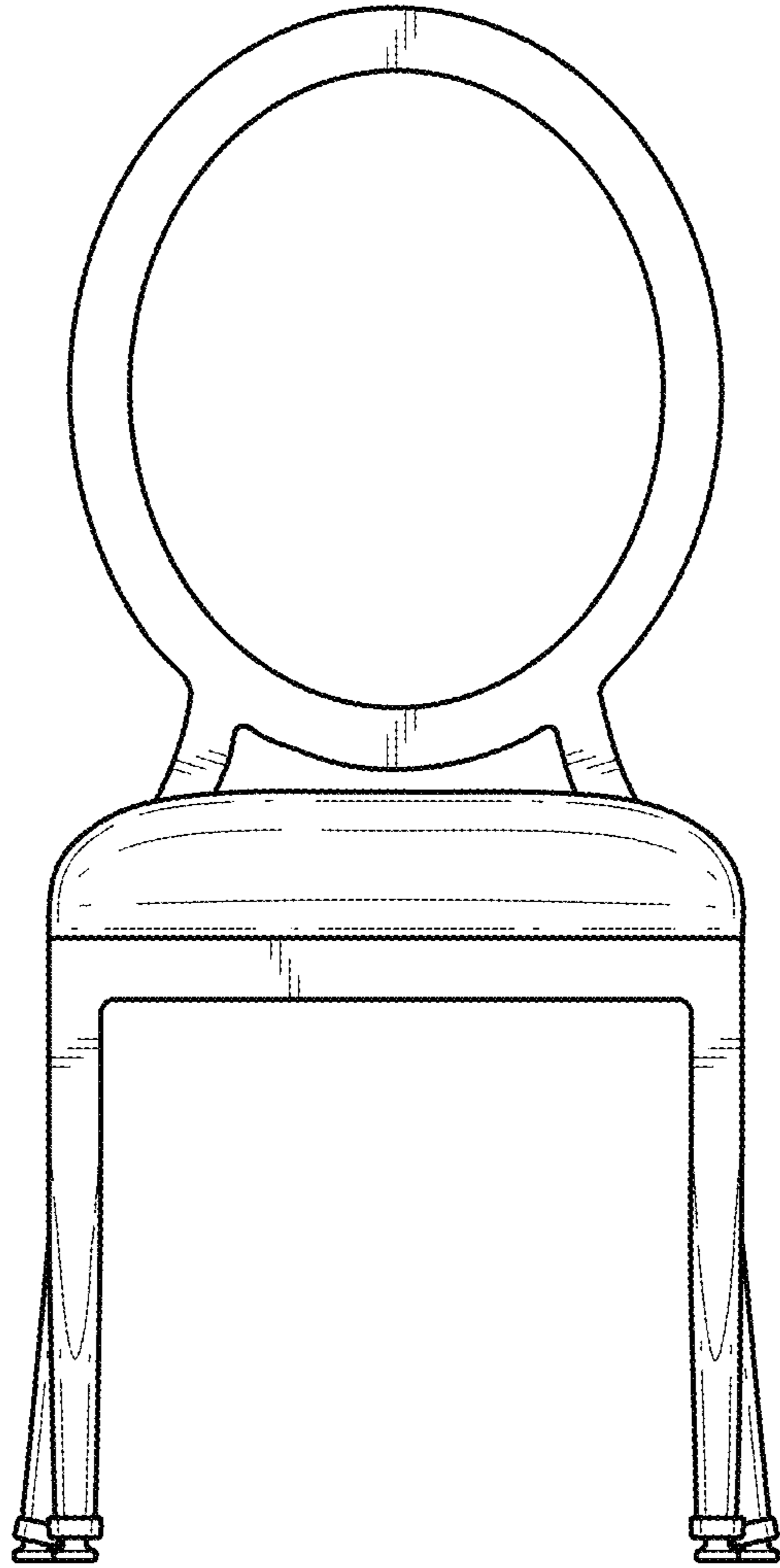
**1 Claim, 5 Drawing Sheets**

- (56) **References Cited**  
U.S. PATENT DOCUMENTS  
D228,989 S \* 11/1973 Furey ..... D6/380  
D374,131 S \* 10/1996 Muller ..... D6/380

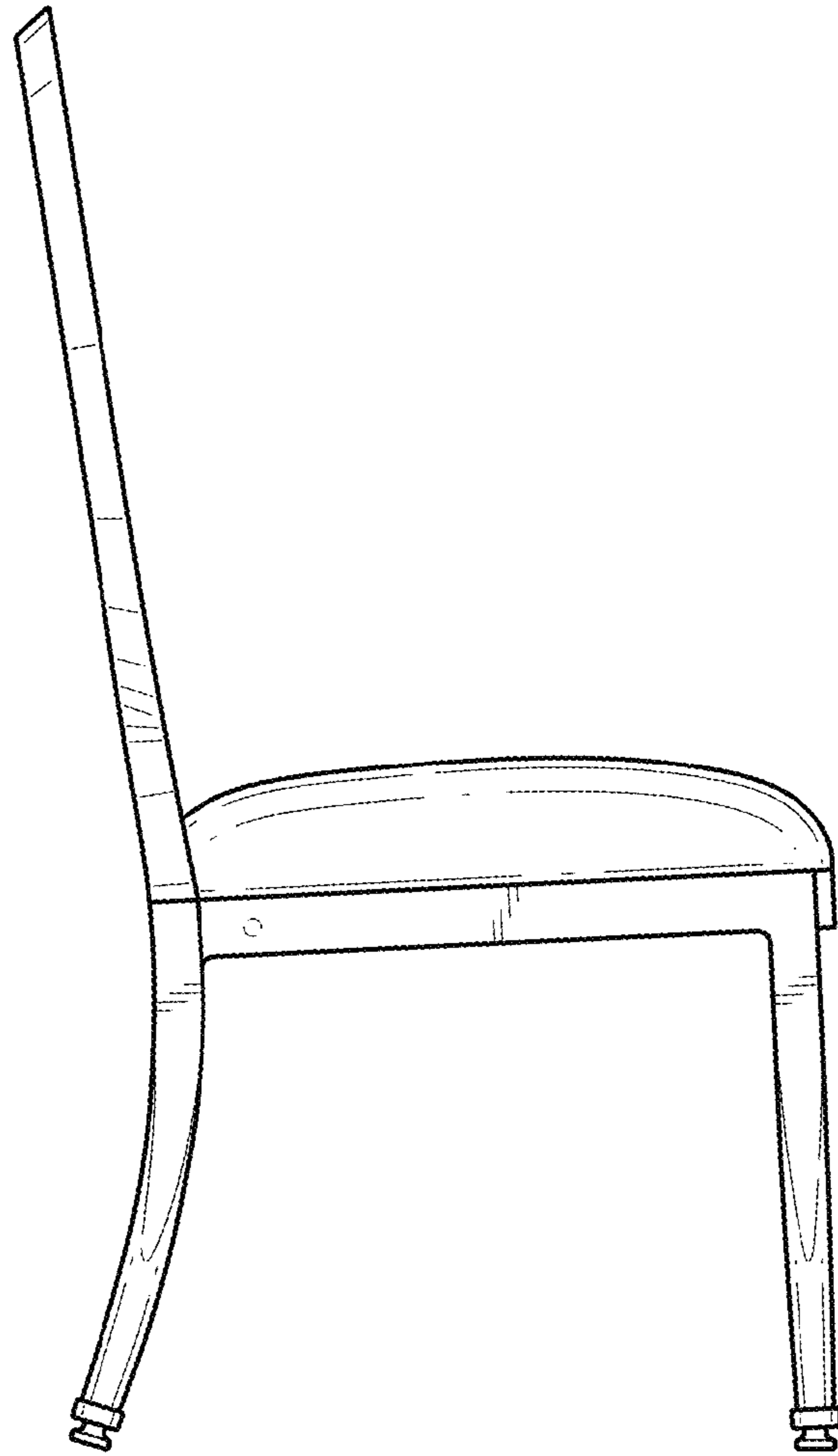




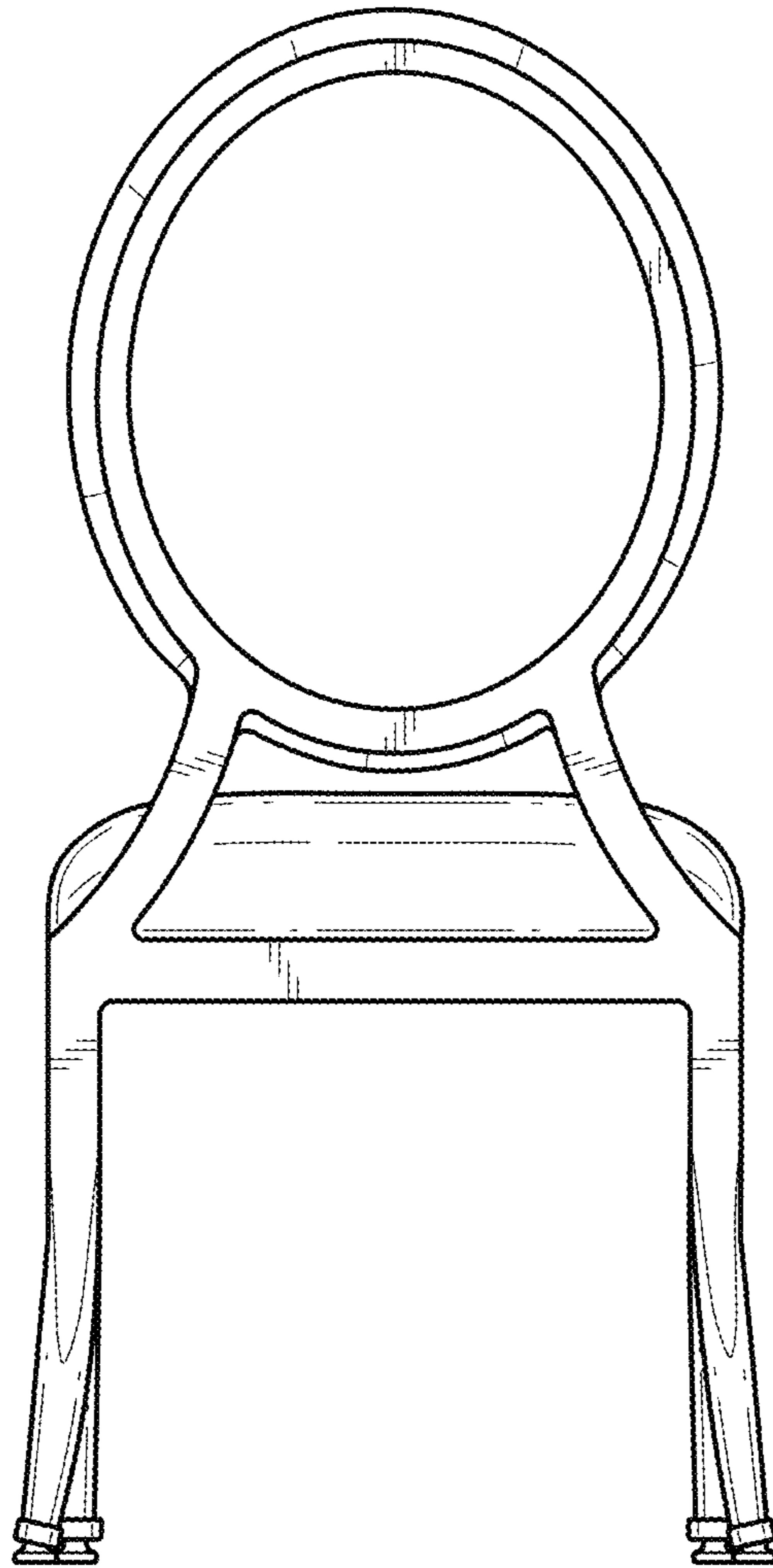
*FIG. 1*



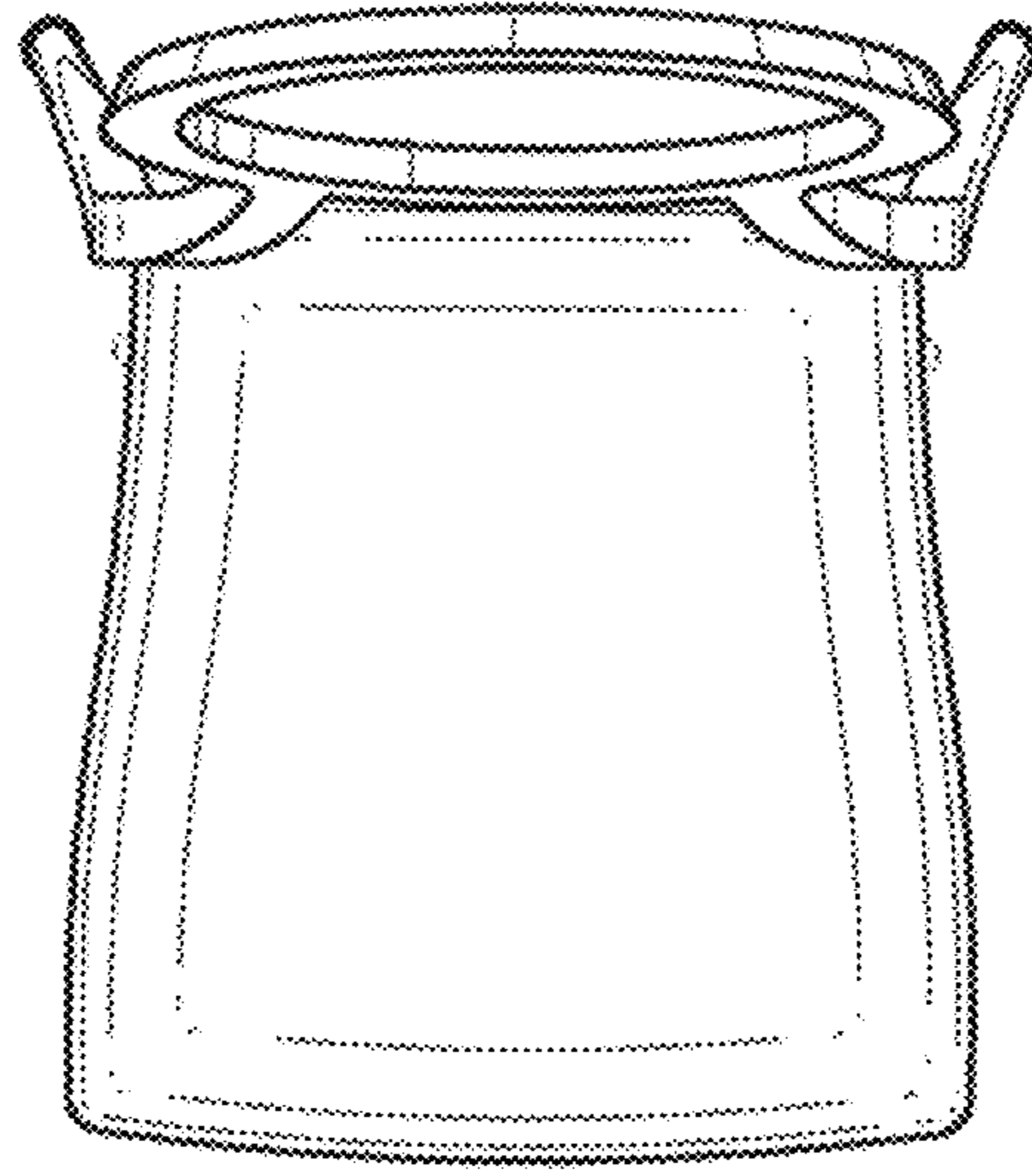
**FIG. 2**



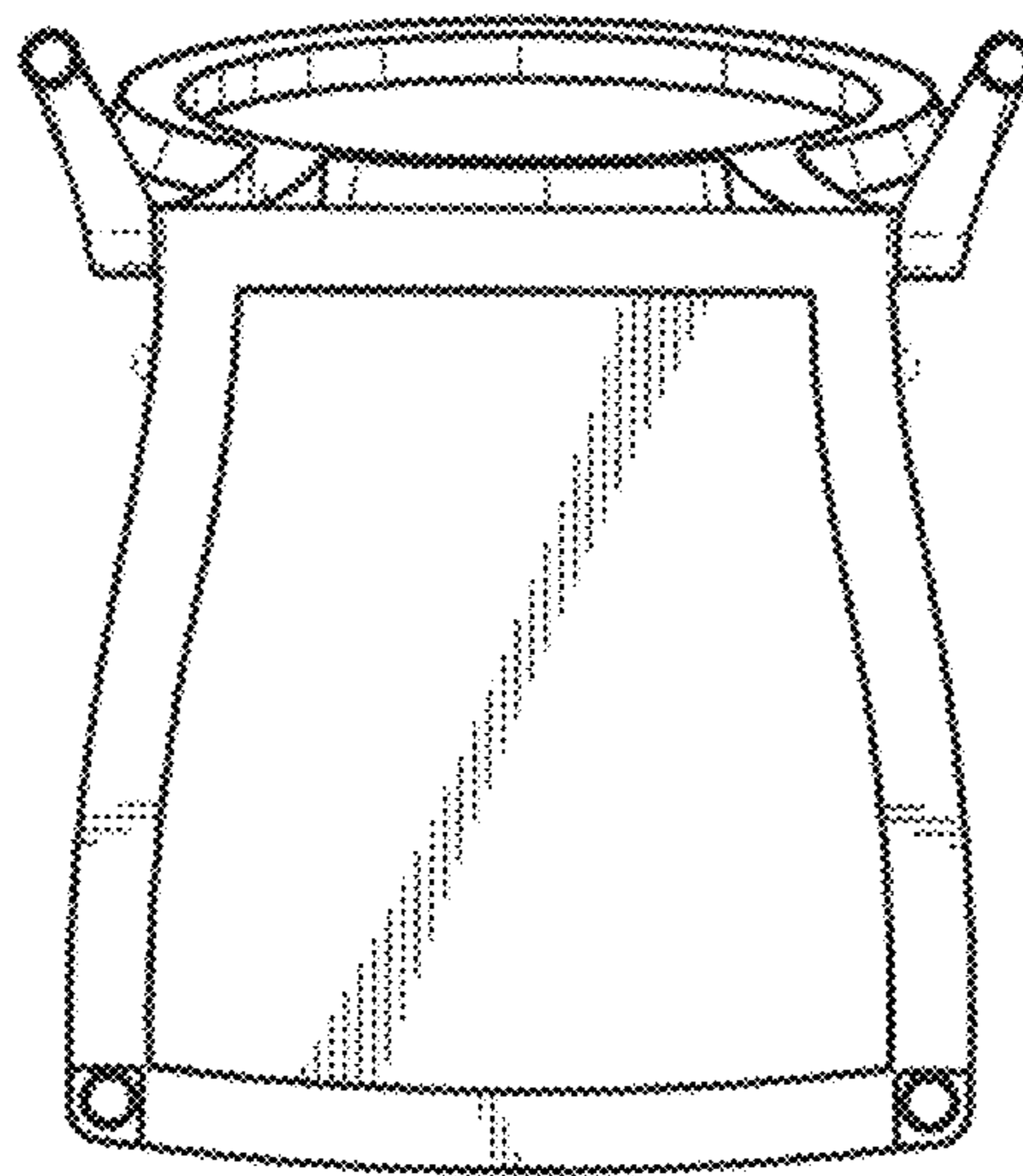
**FIG. 3**



**FIG. 4**



*FIG. 5*



*FIG. 6*