



US00D753404S

(12) **United States Design Patent**
Zemel et al.

(10) **Patent No.:** **US D753,404 S**
(45) **Date of Patent:** **** Apr. 12, 2016**

(54) **GRILL BRUSH**

(71) Applicant: **BLUE RHINO GLOBAL SOURCING, INC.**, Liberty, MO (US)

(72) Inventors: **Marc Zemel**, Melville, NY (US); **Adam Schillen**, Dix Hills, NY (US)

(73) Assignee: **BLUE RHINO GLOBAL SOURCING, INC.**, Liberty, MO (US)

(**) Term: **14 Years**

(21) Appl. No.: **29/500,519**

(22) Filed: **Aug. 26, 2014**

(51) **LOC (10) Cl.** **04-01**

(52) **U.S. Cl.**
USPC **D4/138**

(58) **Field of Classification Search**

USPC D4/104–118, 121, 127–133, 138, 199;
D32/15, 19, 35, 40, 42, 46, 48, 49, 51,
D32/52; D8/10, 11, 90, 94; 15/114–115,
15/117, 121, 143.1, 160, 171–172, 236.01,
15/236.02, 236.07, 236.08, 236.09, 244.1,
15/244.4; 401/202, 206, 268, 270
CPC A46B 5/0095; A46B 5/021; A46B 5/026;
A46B 5/023; A46B 2200/3033; A46B 7/04;
B25G 1/102; B25G 1/00; Y10T 16/476

See application file for complete search history.

(56) **References Cited**

U.S. PATENT DOCUMENTS

2,167,196 A 7/1939 Bothum
2,186,832 A 1/1940 Hertzberg
D138,896 S 9/1944 Edmonds
2,891,360 A 6/1959 Duffie
D189,235 S 11/1960 Racina
3,629,895 A 12/1971 Colgan
D223,314 S 4/1972 Goldfeder
D236,071 S 7/1975 Zemke

4,056,863 A 11/1977 Gunjian
4,091,579 A 5/1978 Giangiulio
4,146,943 A 4/1979 Wertheimer et al.
4,730,949 A 3/1988 Wilson
D344,634 S 3/1994 Berti
D345,653 S 4/1994 Joyner et al.
D355,529 S 2/1995 Tsai
D358,491 S 5/1995 Hoagland
D360,763 S 8/1995 Camp et al.
D362,937 S 10/1995 Camp, Jr. et al.

(Continued)

OTHER PUBLICATIONS

America's Best Barbecue Grill Pro Abrasive Scrubbing Brush—Item # 71448, [online]. America's Best Barbecue, Inc., 2006 [retrieved on May 31, 2013] Retrieved using Internet Archive: áURL: http://archive.org/web/20060615000000*/http://www.americasbestbbq.com Published on Jun. 18, 2006.

Primary Examiner — Garth Rademaker

Assistant Examiner — Llorellys Martinez-Rivera

(74) *Attorney, Agent, or Firm* — Carter, DeLuca, Farrell & Schmidt, LLP

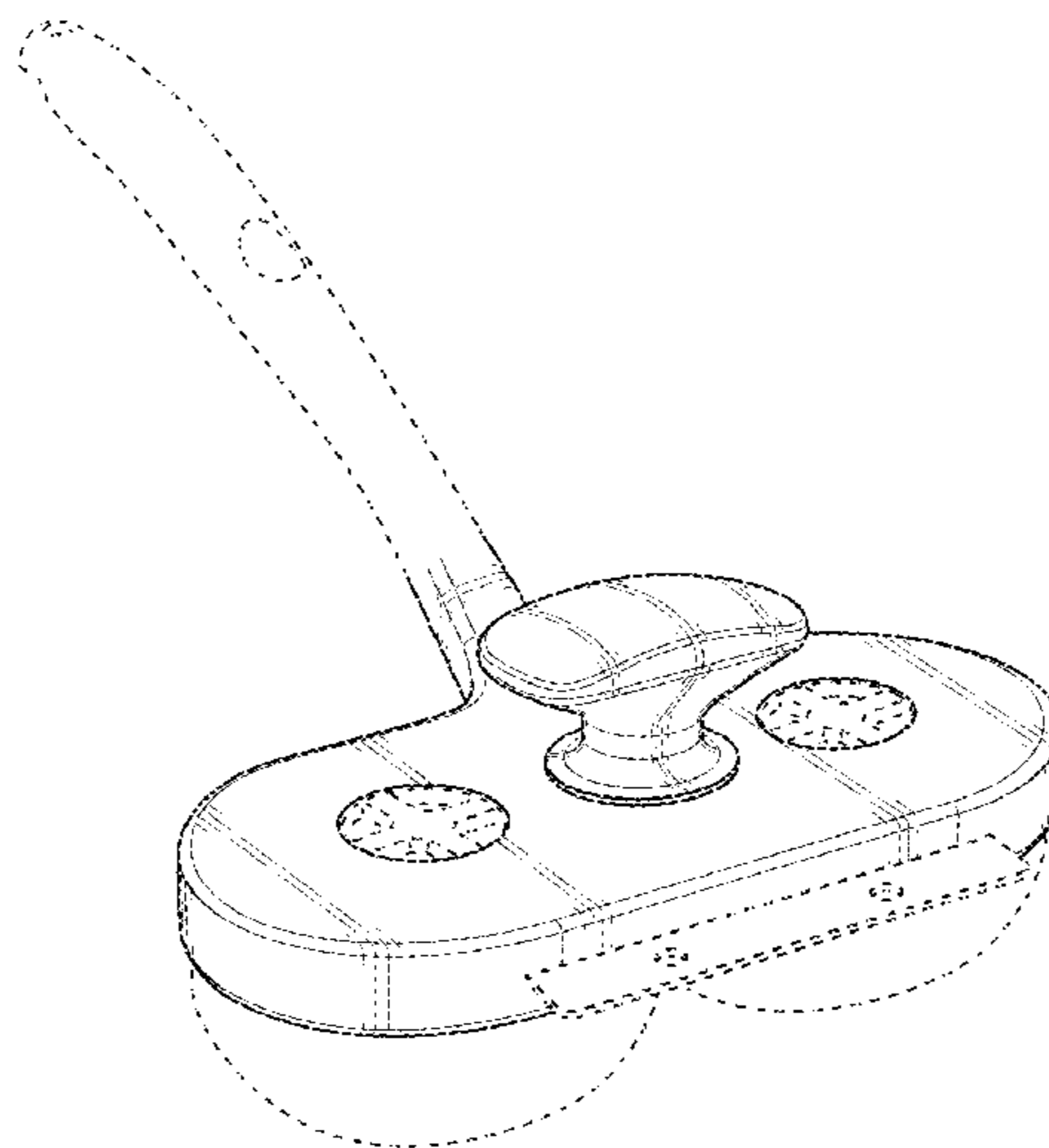
(57) **CLAIM**

The ornamental design for a grill brush, as shown and described.

DESCRIPTION

FIG. 1 is a perspective view of a grill brush in accordance with the present design;
FIG. 2 is a right side elevational view thereof, the left side elevational view being a mirror image thereof;
FIG. 3 is a front side elevational view thereof;
FIG. 4 is a rear side elevational view thereof;
FIG. 5 is a top plan view thereof; and,
FIG. 6 is a bottom plan view thereof.
The broken lines shown in the drawings illustrate portions of the grill brush that form no part of the claimed design.

1 Claim, 5 Drawing Sheets



(56)

References Cited

U.S. PATENT DOCUMENTS

5,471,700 A	12/1995	Pereira	D563,677 S	3/2008	Zemel	
D366,962 S	2/1996	Whitaker	D567,511 S *	4/2008	Borovicka	D4/118
D369,472 S	5/1996	Laubach, III et al.	D589,705 S	4/2009	Zemel	
D373,251 S	9/1996	Young	D590,600 S	4/2009	Dow et al.	
D381,483 S	7/1997	Hartman	D597,740 S	8/2009	Borovicka et al.	
D392,104 S	3/1998	Berti	D601,347 S	10/2009	Wales	
D400,328 S	10/1998	Zemel	7,632,033 B2	12/2009	Wales	
D403,165 S	12/1998	Ferrante et al.	7,909,526 B2	3/2011	Wales	
D429,889 S	8/2000	Fielding	8,032,974 B2	10/2011	Carpenter	
D437,691 S	2/2001	Weiss	D652,629 S	1/2012	Zemel	
6,216,306 B1	4/2001	Esterson et al.	D658,894 S	5/2012	Zemel	
D455,272 S	4/2002	Zemel	D661,906 S	6/2012	Zemel	
D456,614 S	5/2002	Zemel	D663,125 S	7/2012	Zemel	
6,438,784 B1	8/2002	Yu	D663,531 S	7/2012	Zemel	
D468,107 S	1/2003	Shen	D664,363 S	7/2012	Rothman	
D502,001 S	2/2005	Hay	D665,178 S	8/2012	Zemel	
D532,609 S	11/2006	Zemel	D690,115 S	9/2013	Zemel et al.	
D544,213 S	6/2007	Dow et al.	D690,116 S	9/2013	Zemel et al.	
D547,553 S	7/2007	Borovicka et al.	D695,019 S	12/2013	Zemel et al.	
D562,006 S *	2/2008	Liu	D713,153 S *	9/2014	Lu	D32/52
		D4/130	2003/0070246 A1	4/2003	Cavalheiro	
			2005/0011029 A1	1/2005	Yu	
			2009/0188061 A1	7/2009	Cybulski et al.	

* cited by examiner

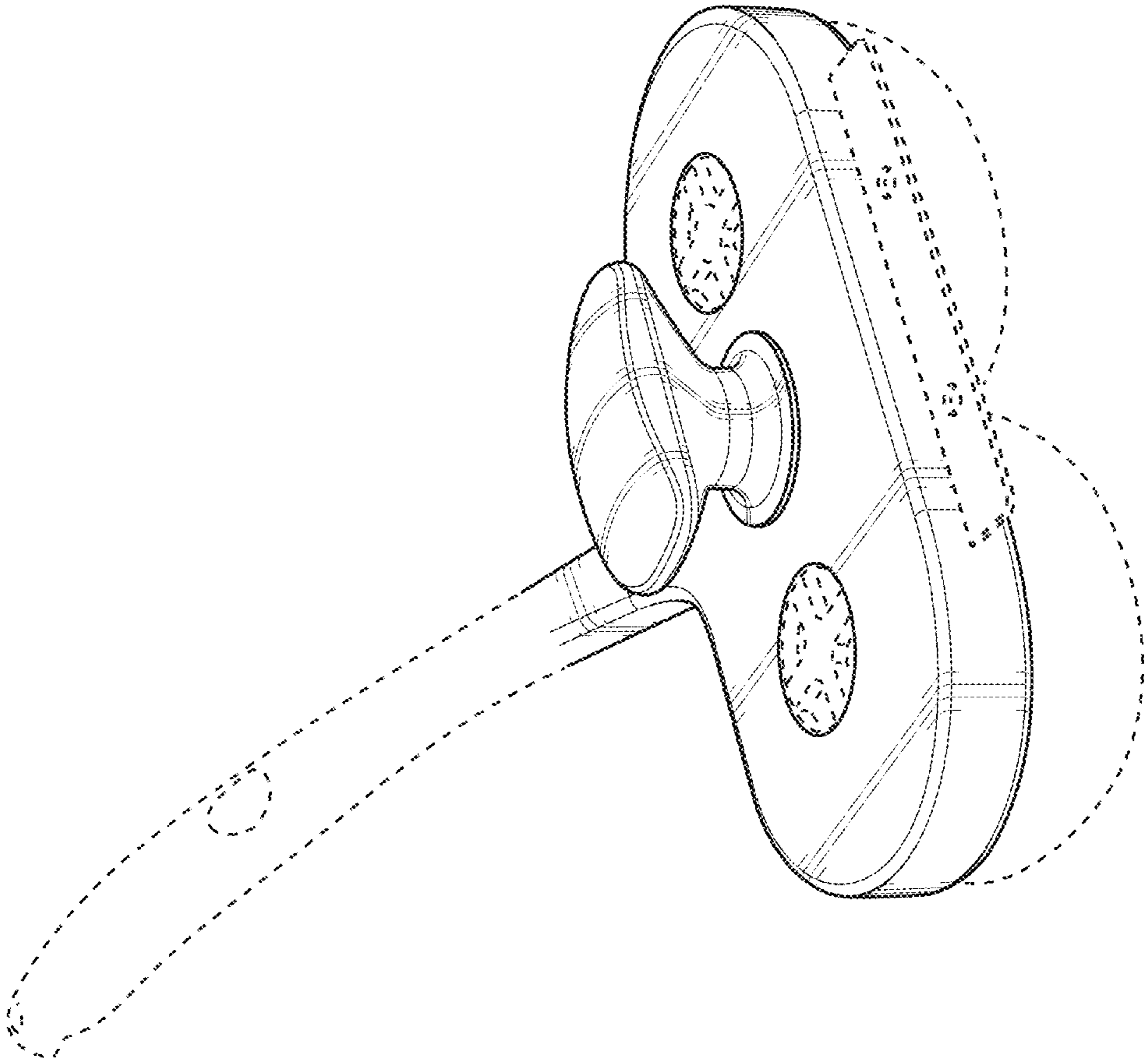


FIG. 1

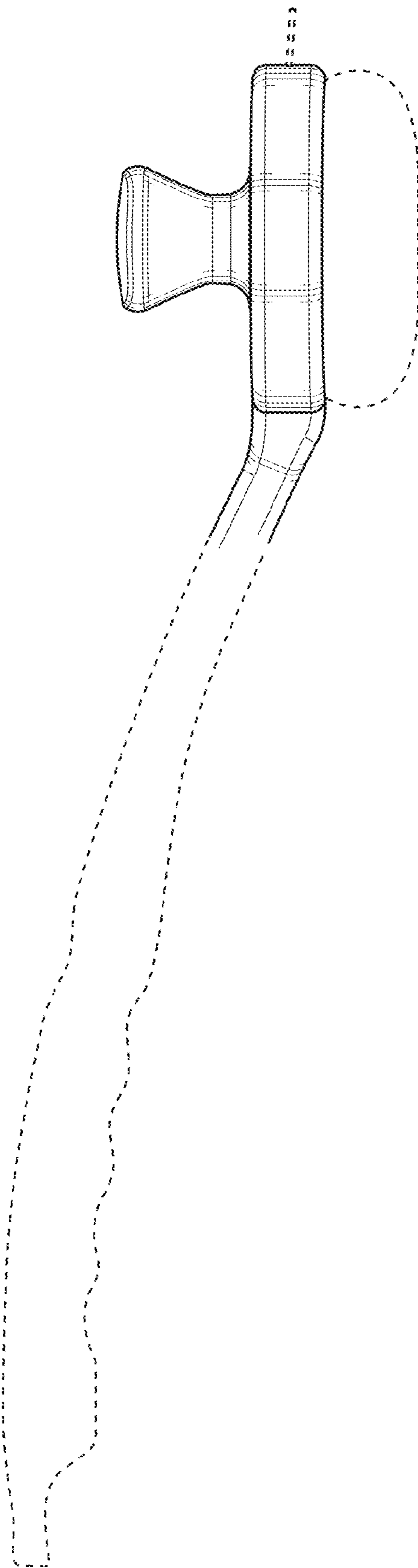


FIG. 2

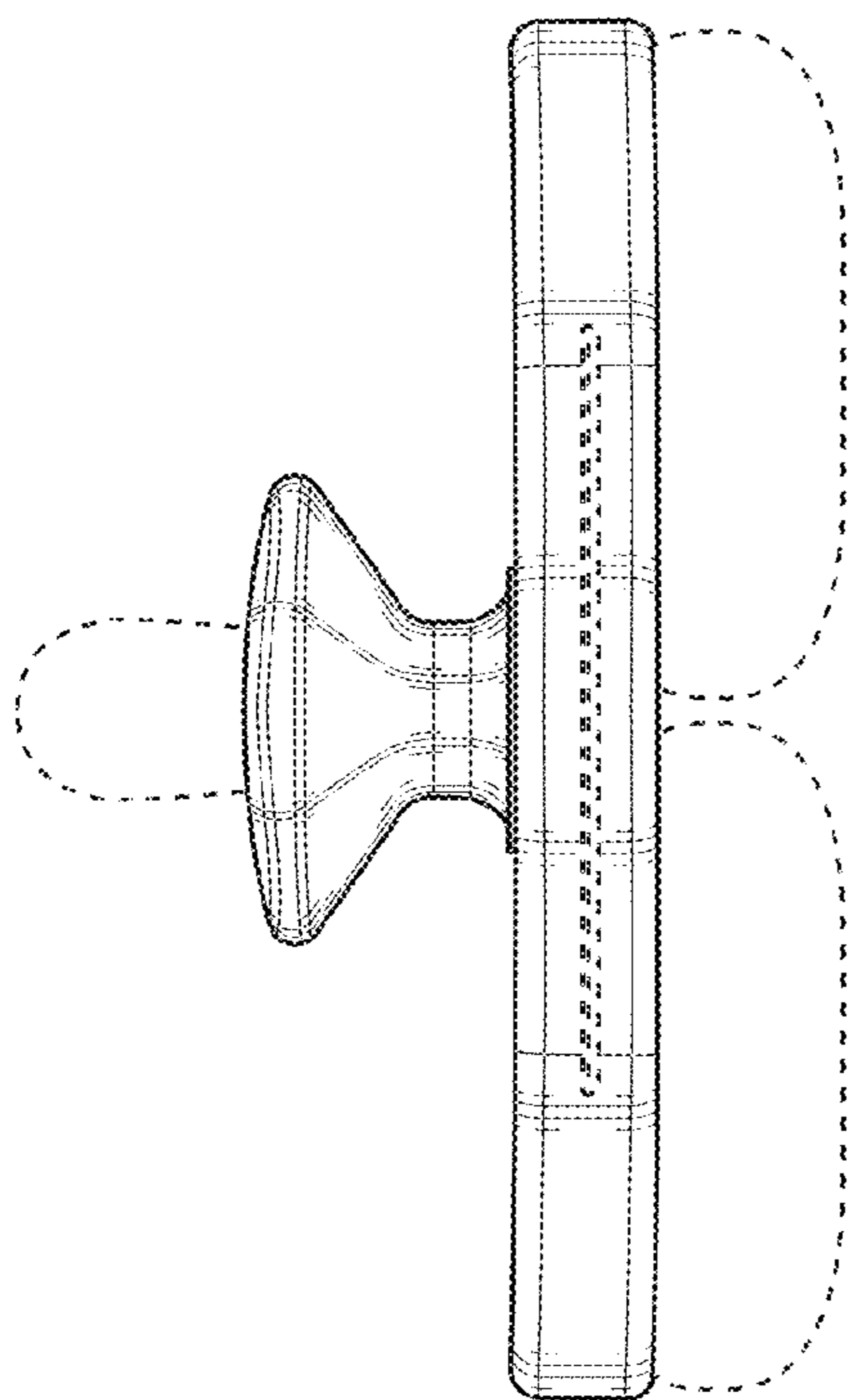


FIG. 3

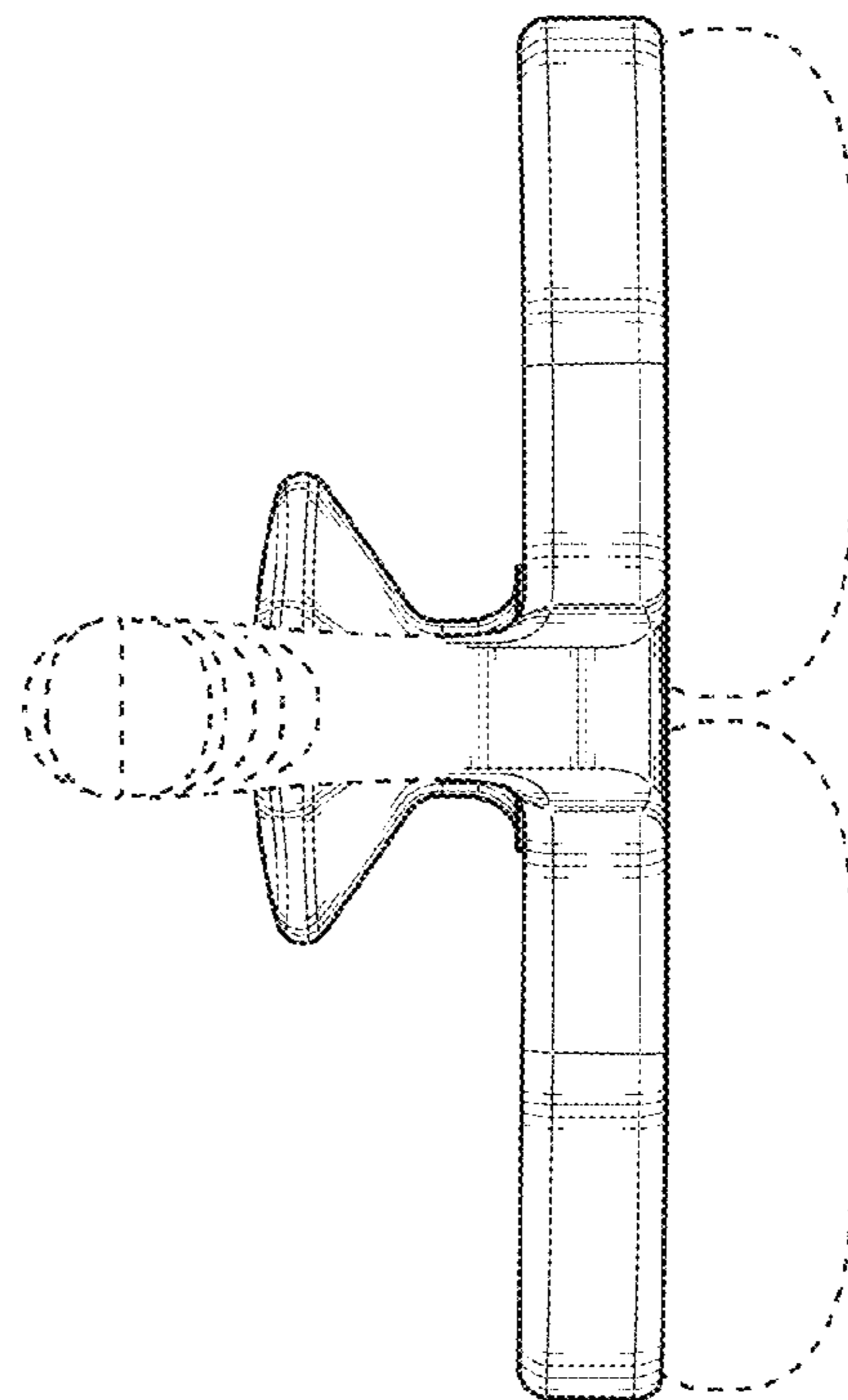


FIG. 4

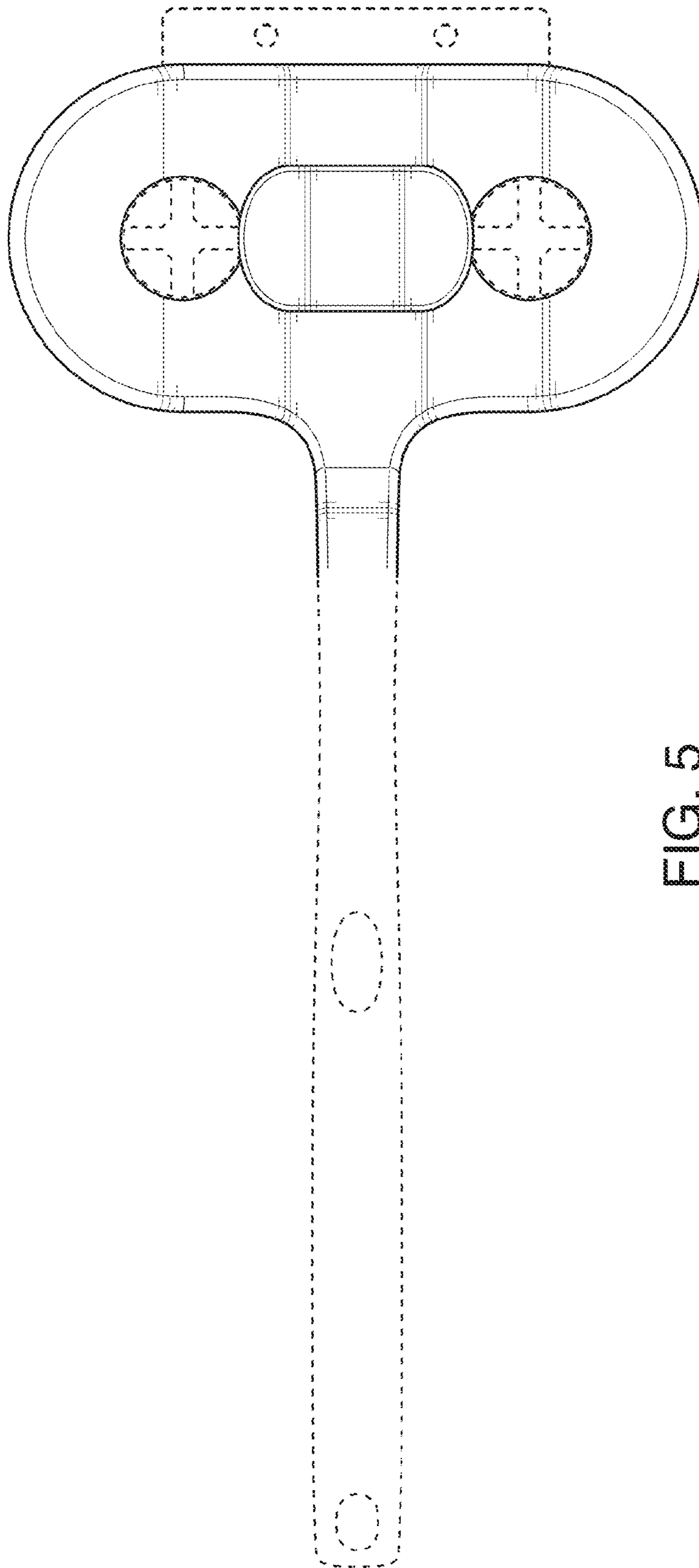


FIG. 5

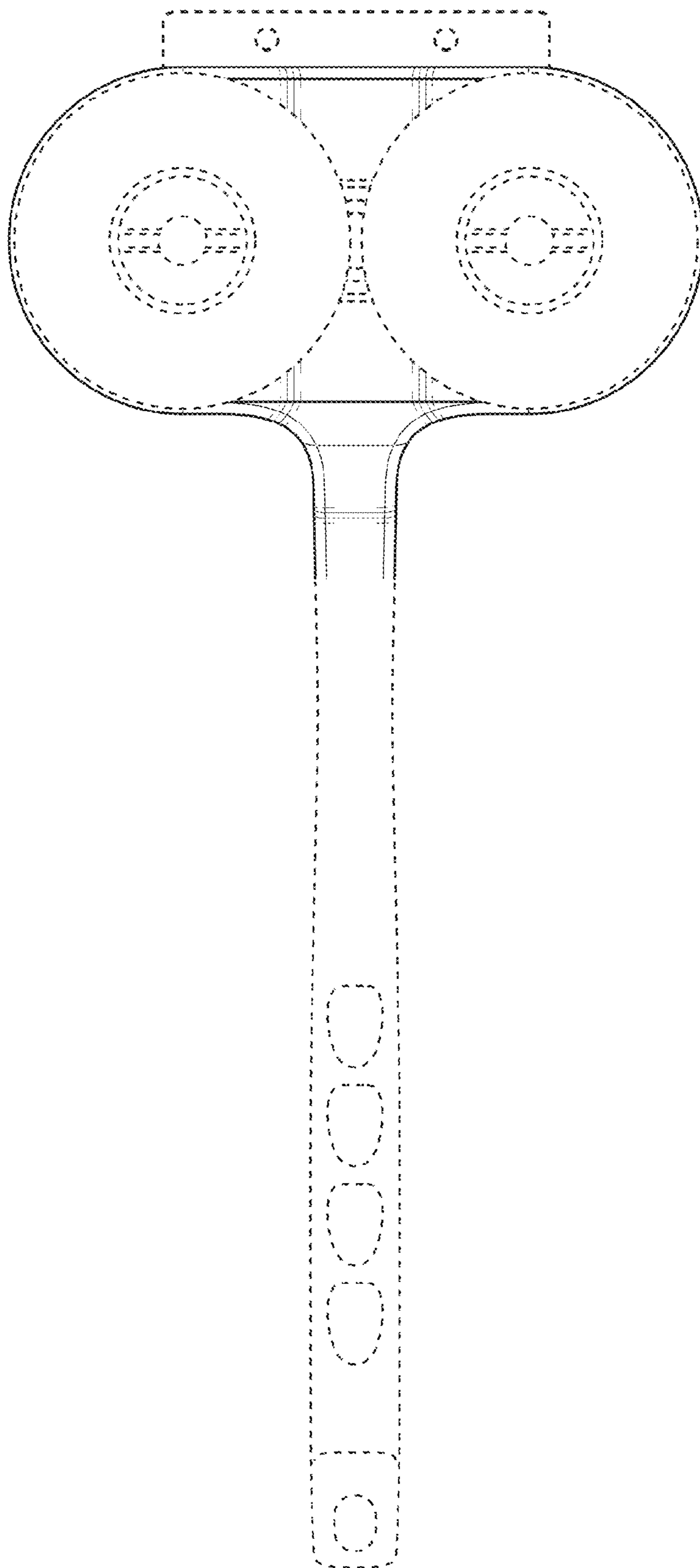


FIG. 6