



US00D753397S

(12) **United States Design Patent**
Brunner

(10) **Patent No.:** **US D753,397 S**

(45) **Date of Patent:** **** Apr. 12, 2016**

(54) **TOOL BOX**

(71) Applicant: **KETER PLASTIC LTD.**, Herzelyia (IL)

(72) Inventor: **Yaron Brunner**, Timrat (IL)

(73) Assignee: **KETER PLASTIC LTD.**, Herzelyia (IL)

(**) Term: **14 Years**

(21) Appl. No.: **29/501,499**

(22) Filed: **Sep. 4, 2014**

(30) **Foreign Application Priority Data**

Mar. 6, 2014 (EM) 002419283-0004

(51) **LOC (10) Cl.** **03-01**

(52) **U.S. Cl.**
USPC **D3/281**; D3/294; D3/905

(58) **Field of Classification Search**
USPC D3/905, 276, 279–284, 291, 294, 295,
D3/298, 901, 302, 272, 273, 274, 903;
206/372–379; 220/523–528
CPC .. B25H 3/02–3/028; B25H 3/00; B25H 3/003
See application file for complete search history.

(56) **References Cited**

U.S. PATENT DOCUMENTS

D348,152 S *	6/1994	Roeper et al.	D3/282
5,437,369 A *	8/1995	Spitere	206/373
D415,894 S *	11/1999	Courville	D3/260
D449,738 S *	10/2001	Snider et al.	D3/282
D493,284 S *	7/2004	Lee	D3/294

D527,181 S *	8/2006	Henning et al.	D3/276
D564,216 S *	3/2008	Thai	D3/202
D643,217 S *	8/2011	Pedersen	D3/302
D647,300 S *	10/2011	Shitrit et al.	D3/281
D668,048 S *	10/2012	Vilkomirski et al.	D3/281
D713,639 S *	9/2014	Whitlock et al.	D3/202
2004/0134818 A1 *	7/2004	Cunningham et al.	206/373
2009/0145790 A1 *	6/2009	Panosian et al.	206/373

* cited by examiner

Primary Examiner — Jennifer Rivard

Assistant Examiner — April Rivas

(74) *Attorney, Agent, or Firm* — Vorys, Sater, Seymour & Pease LLP; William Klima

(57) **CLAIM**

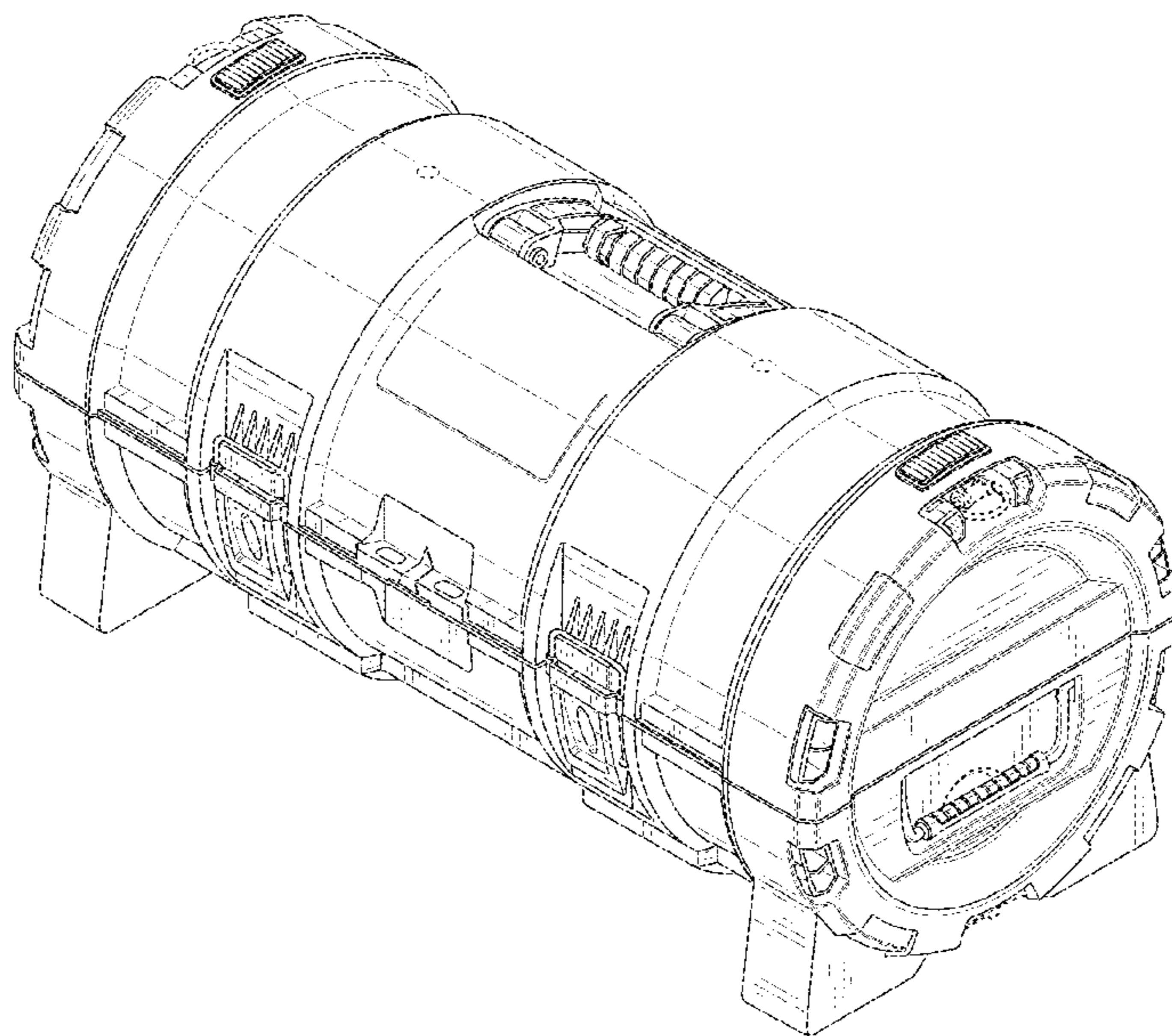
The ornamental design for a tool box, as shown and described.

DESCRIPTION

FIG. 1 is a front perspective view of a new design for a tool box;
FIG. 2 is a front view of a new design for a tool box as seen in FIG. 1;
FIG. 3 is a rear view of a new design for a tool box as seen in FIG. 1;
FIG. 4 is a left side view of a new design for a tool box as seen in FIG. 1; right side view being a mirror image; and,
FIG. 5 is a top view of a new design for a tool box as seen in FIG. 1.

The broken lines illustrate portions of the tool box and form no part of the claimed design.

1 Claim, 5 Drawing Sheets



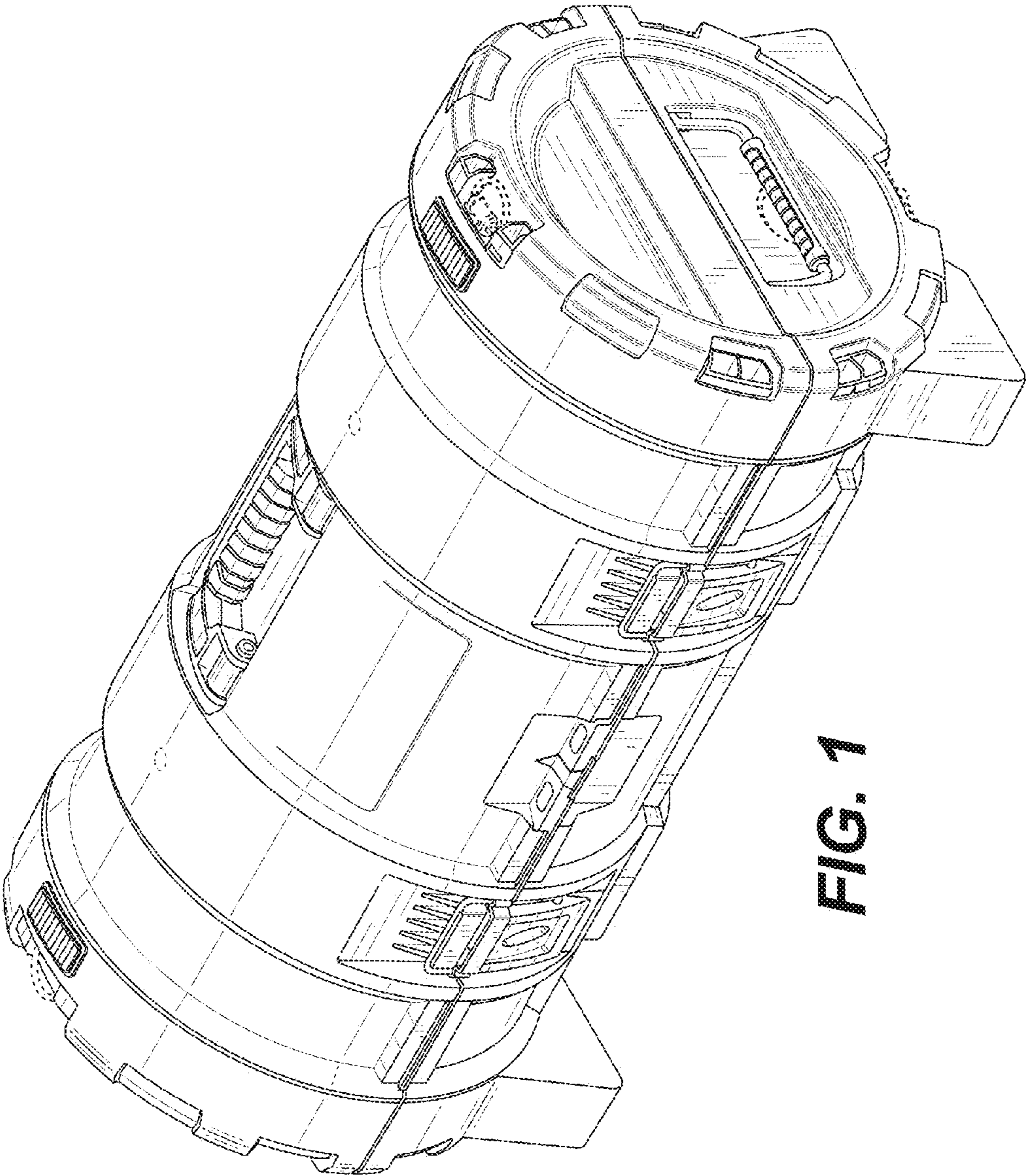


FIG. 1

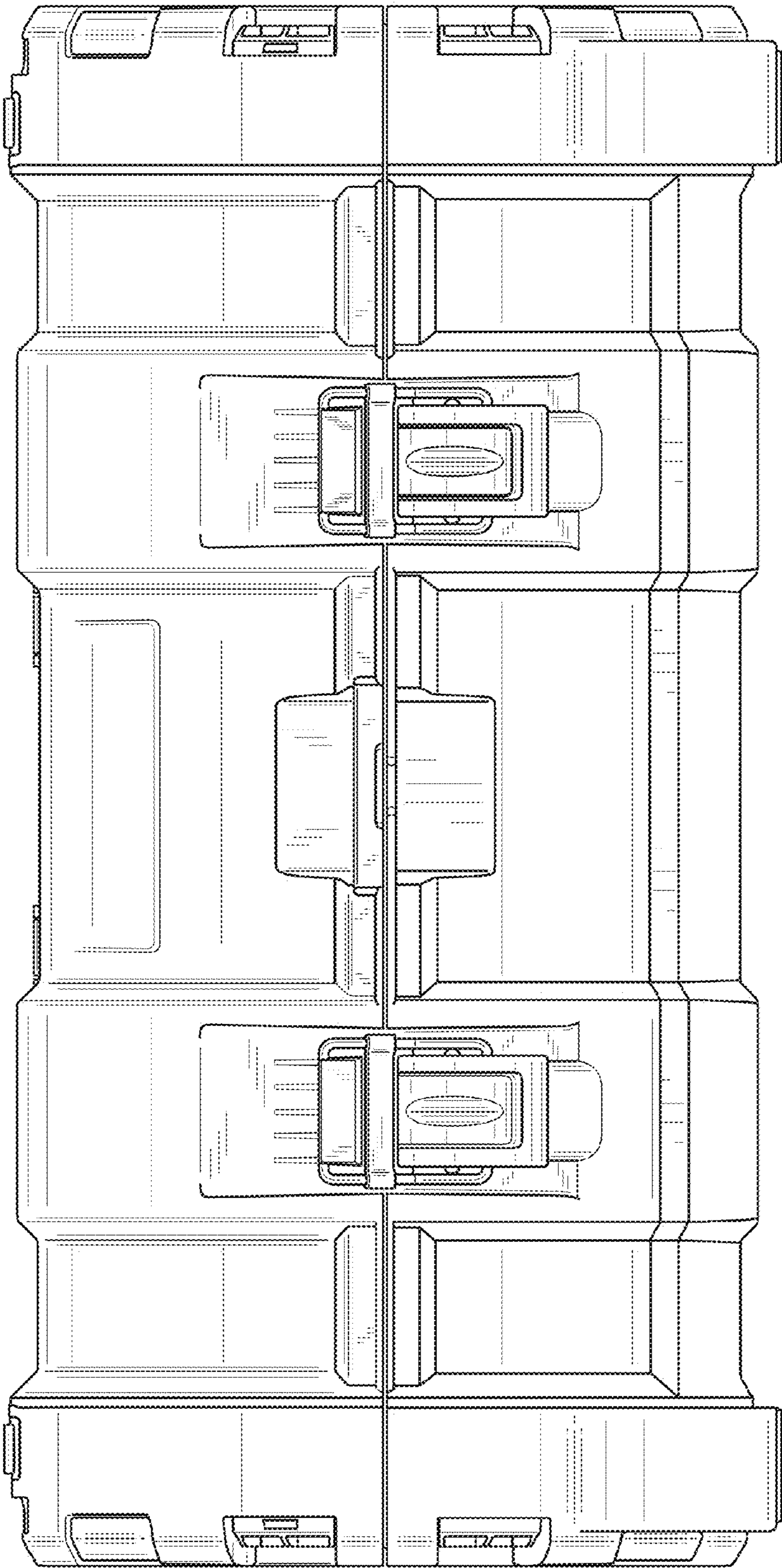


FIG. 2

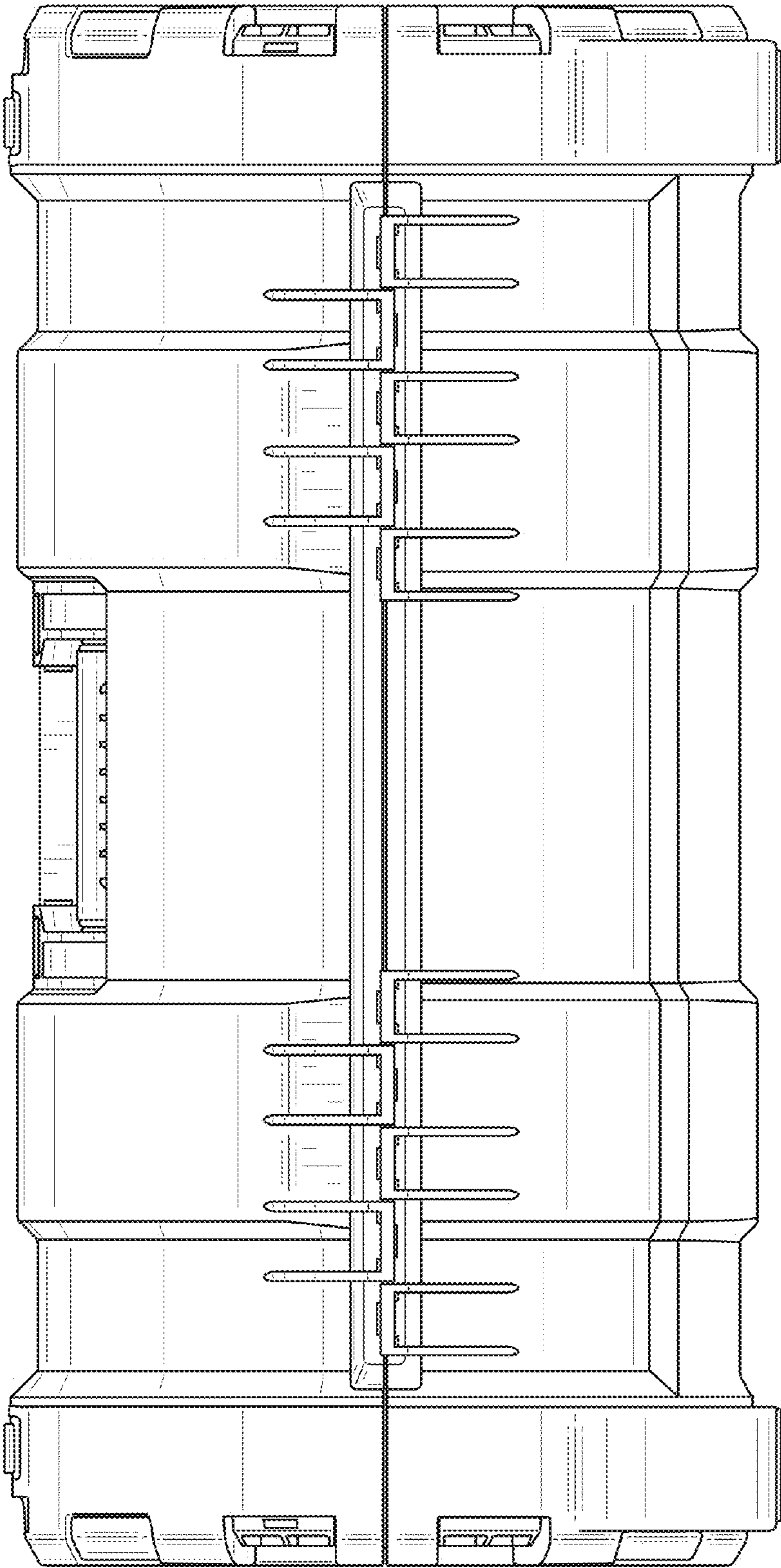


FIG. 3

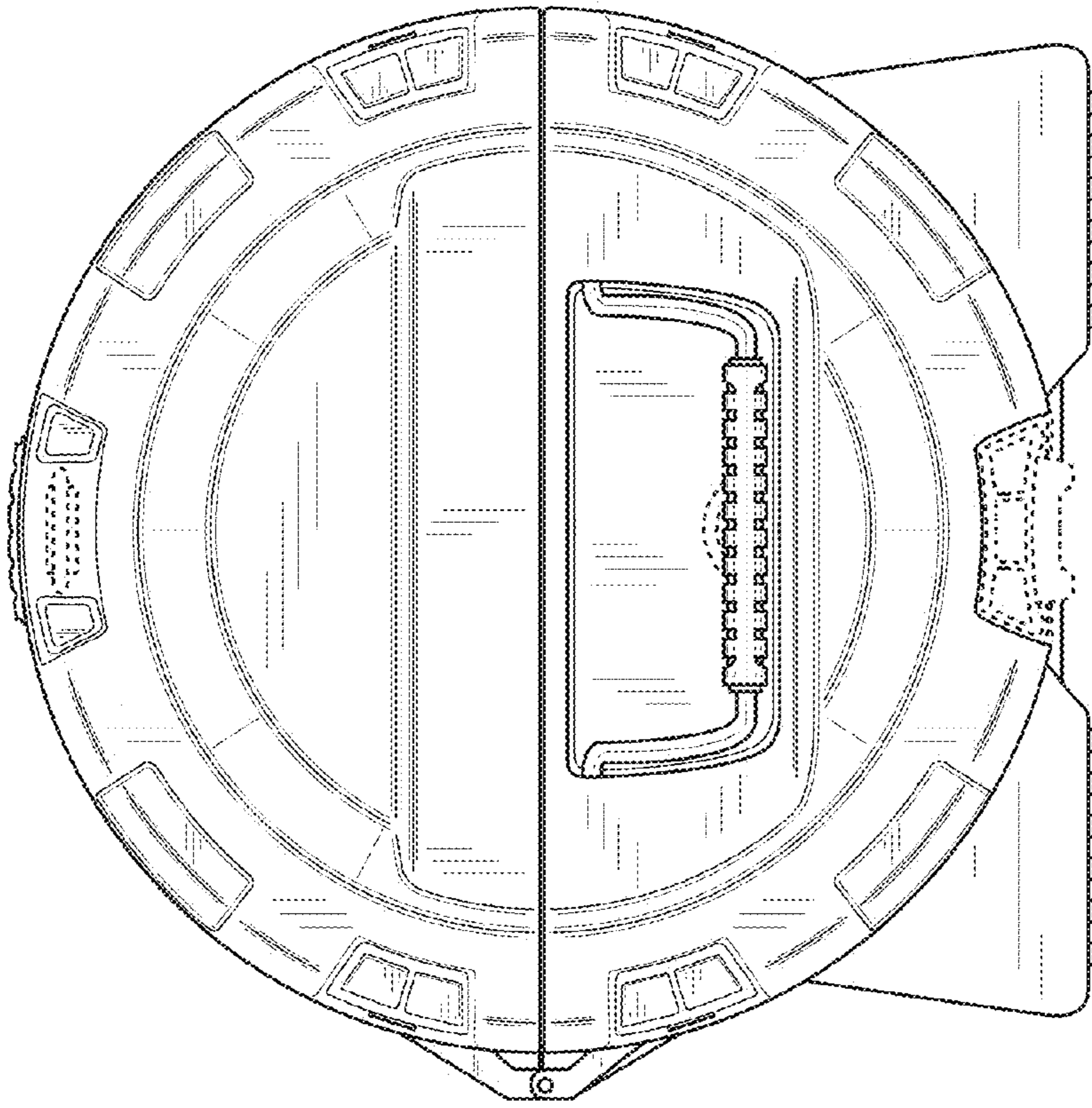


FIG. 4

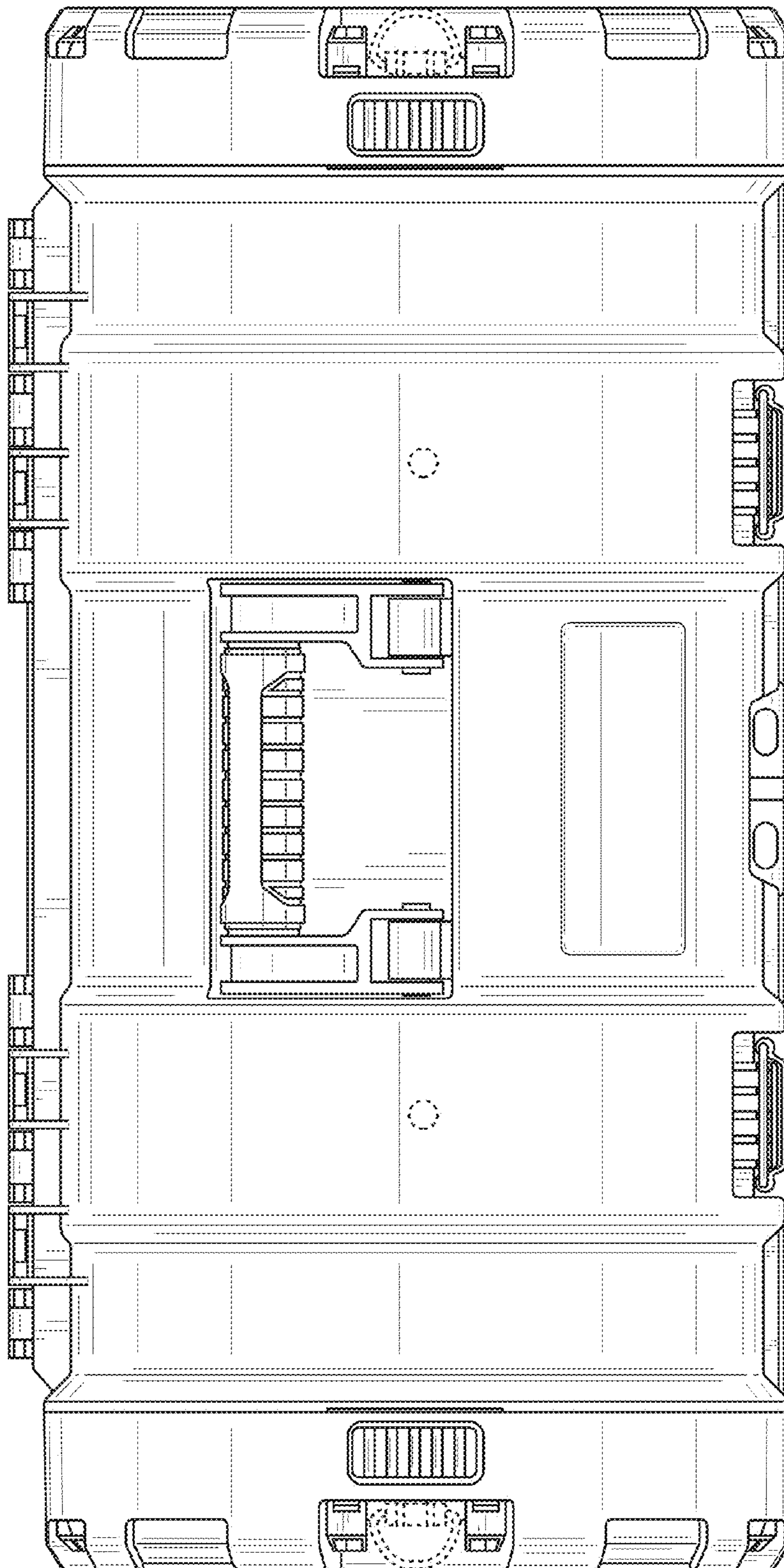


FIG. 5