



US00D753396S

(12) **United States Design Patent**  
**Brunner**

(10) **Patent No.:** **US D753,396 S**  
(45) **Date of Patent:** **\*\* Apr. 12, 2016**

(54) **TOOL BOX**  
(71) Applicant: **KETER PLASTIC LTD.**, Herzelyia (IL)  
(72) Inventor: **Yaron Brunner**, Timrat (IL)  
(73) Assignee: **KETER PLASTIC LTD.**, Herzelyia (IL)

(\*\*) Term: **14 Years**  
(21) Appl. No.: **29/501,485**  
(22) Filed: **Sep. 4, 2014**

(30) **Foreign Application Priority Data**  
Mar. 6, 2014 (EM) ..... 002419283-0002  
(51) **LOC (10) Cl.** ..... **03-01**  
(52) **U.S. Cl.**  
USPC ..... **D3/281**; D3/294; D3/905  
(58) **Field of Classification Search**  
USPC ..... D3/905, 276, 279-284, 291, 294, 295, D3/298, 901, 302, 272, 273, 274, 903; 206/372-379; 220/523-528  
CPC .. B25H 3/02-3/028; B25H 3/00; B25H 3/003  
See application file for complete search history.

(56) **References Cited**  
**U.S. PATENT DOCUMENTS**  
6,761,366 B1 \* 7/2004 Klemmensen et al. .... 280/47.26  
D600,912 S \* 9/2009 Brunner ..... D3/291  
D629,607 S \* 12/2010 Sabbag et al. .... D3/282  
D630,435 S \* 1/2011 Brunner ..... D3/276  
D649,350 S \* 11/2011 Shitrit ..... D3/281

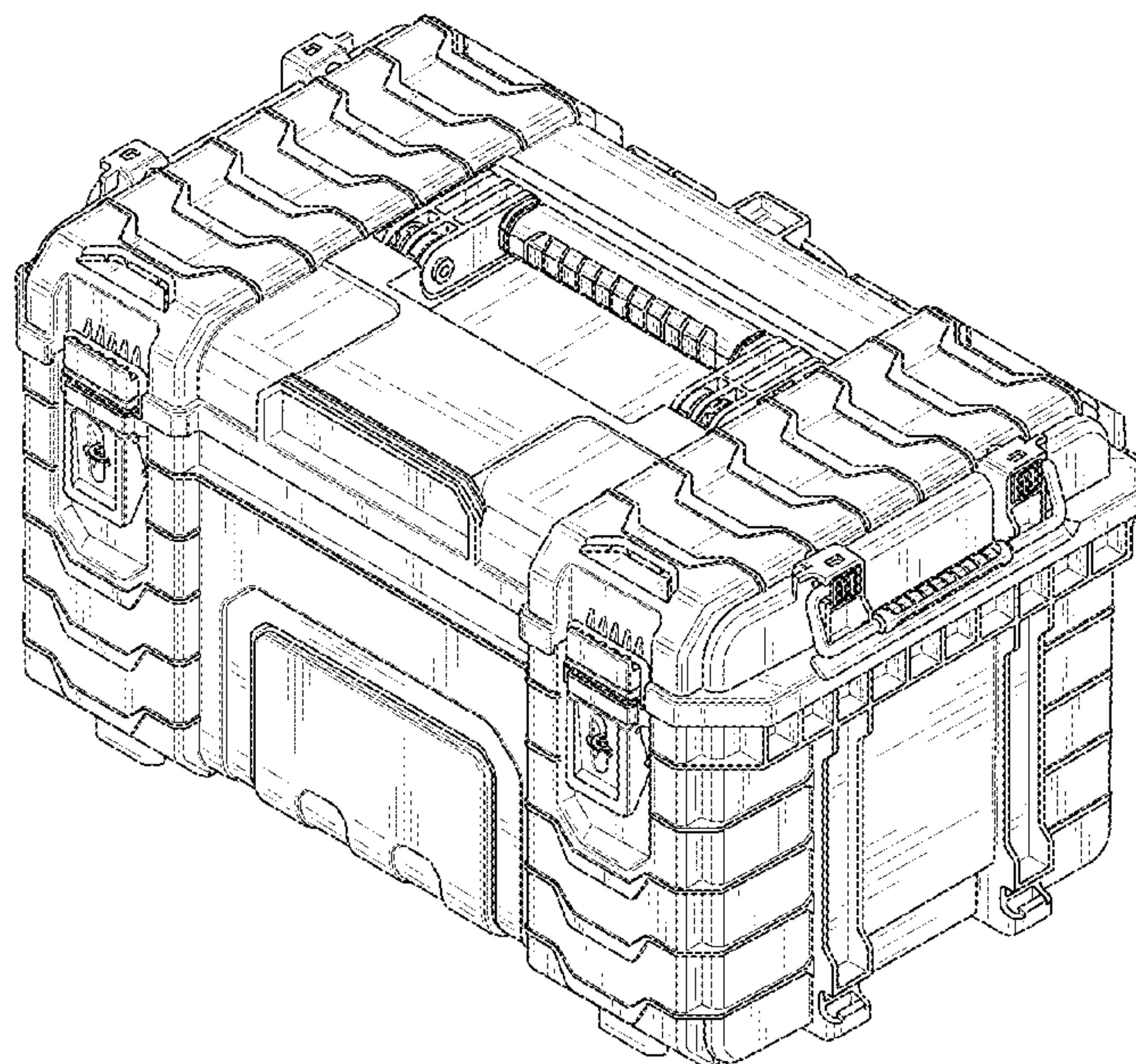
D668,048 S \* 10/2012 Vilkomirski et al. .... D3/281  
D694,522 S \* 12/2013 Horovitz ..... D3/281  
D700,777 S \* 3/2014 Shitrit et al. .... D3/281  
D701,697 S \* 4/2014 Sabbag et al. .... D3/281  
D703,436 S \* 4/2014 Sabbag et al. .... D3/281  
D709,697 S \* 7/2014 Brunner ..... D3/281  
2011/0181008 A1 \* 7/2011 Bensman et al. .... 280/47.26  
2014/0102928 A1 \* 4/2014 Sabbag et al. .... 206/372

\* cited by examiner  
*Primary Examiner* — Jennifer Rivard  
*Assistant Examiner* — April Rivas  
(74) *Attorney, Agent, or Firm* — Vorys, Sater, Seymour & Pease LLP; William Klima

(57) **CLAIM**  
The ornamental design for a tool box, as shown and described.

**DESCRIPTION**  
FIG. 1 is a front perspective view of a new design for a tool box;  
FIG. 2 is a front view of a new design for a tool box as seen in FIG. 1;  
FIG. 3 is a rear view of a new design for a tool box as seen in FIG. 1;  
FIG. 4 is a left side view of a new design for a tool box as seen in FIG. 1; right side view being a mirror image; and,  
FIG. 5 is a top view of a new design for a tool box as seen in FIG. 1.  
The broken lines illustrate portions of the tool box and form no part of the claimed design.

**1 Claim, 5 Drawing Sheets**





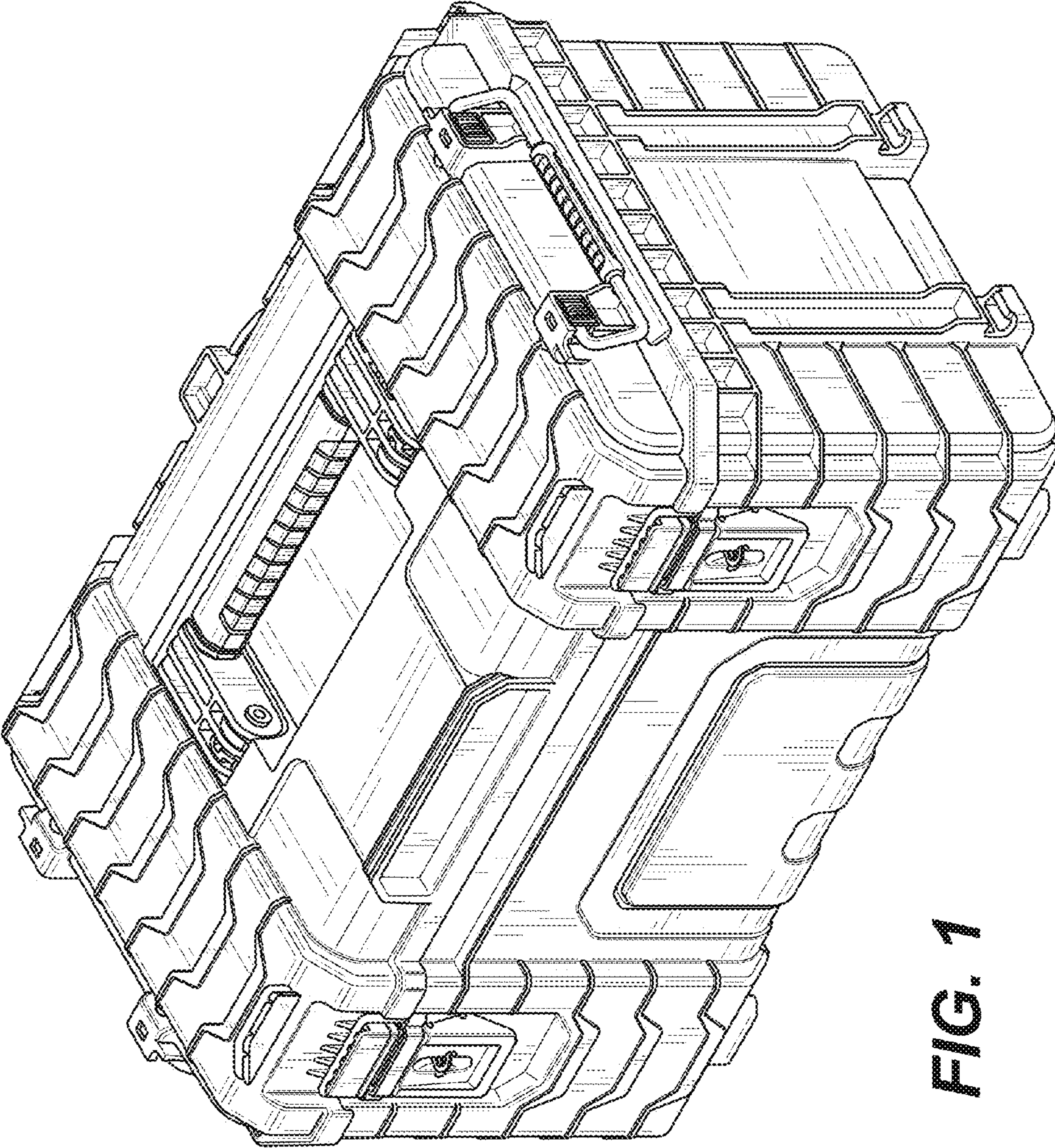
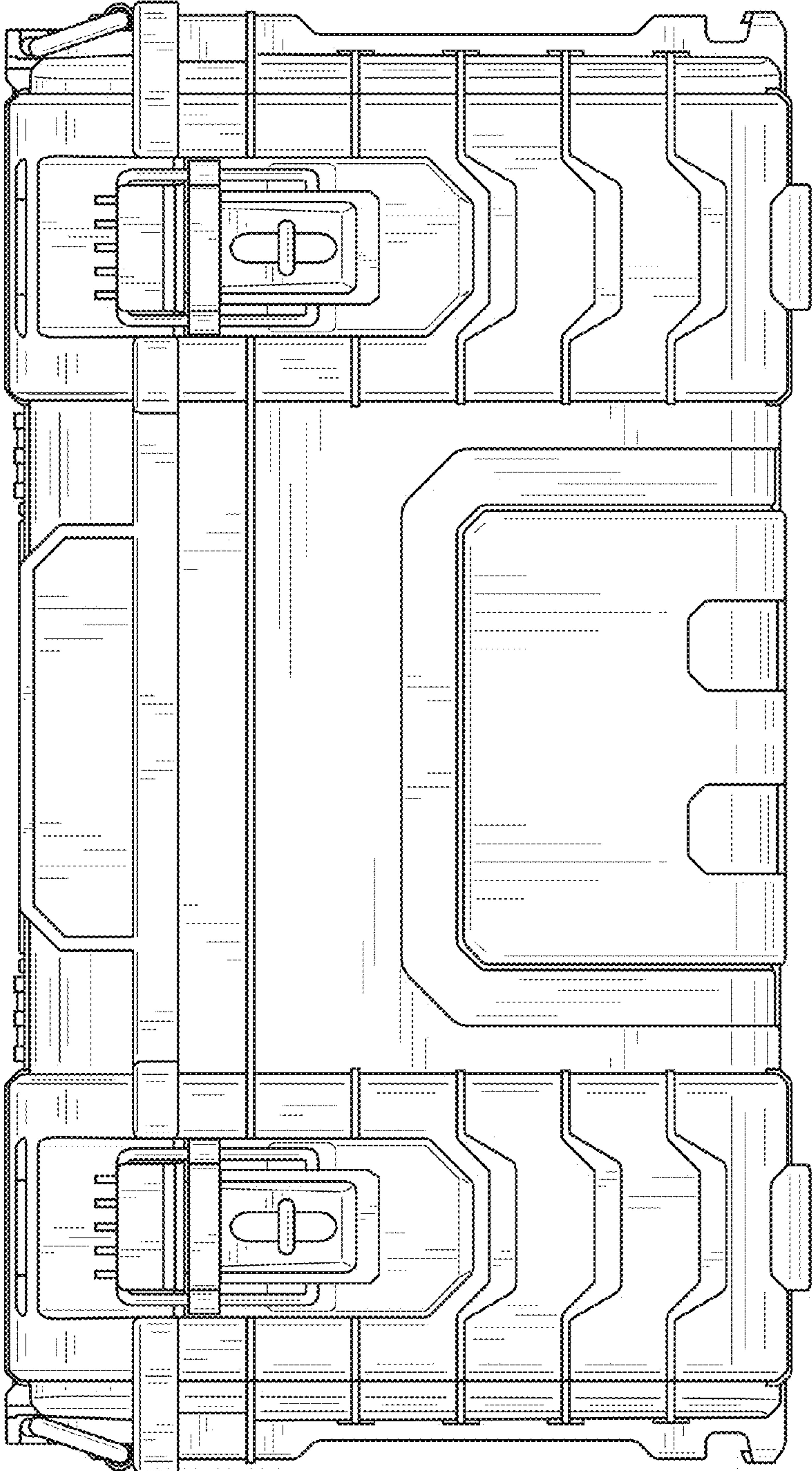


FIG. 1



**FIG. 2**



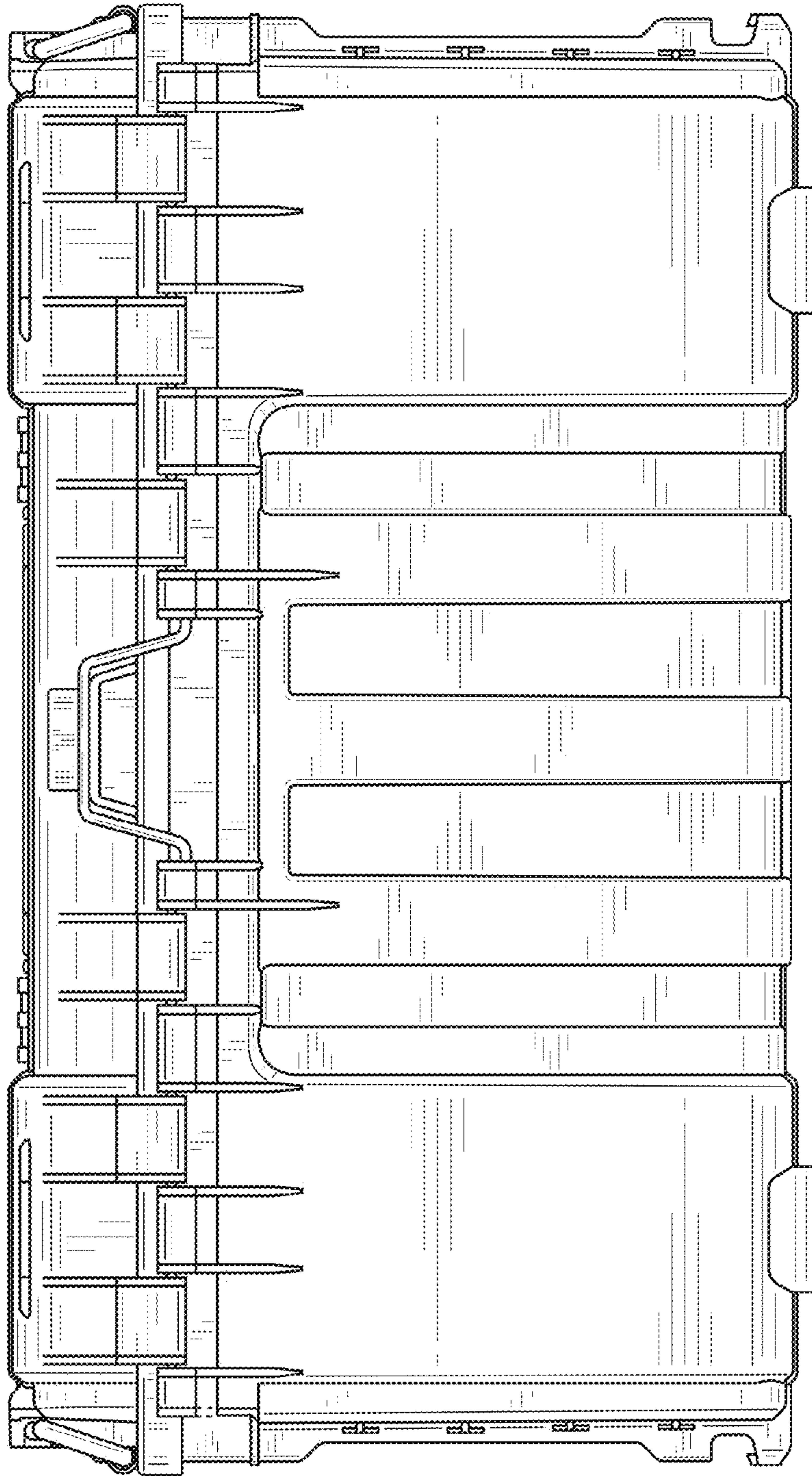
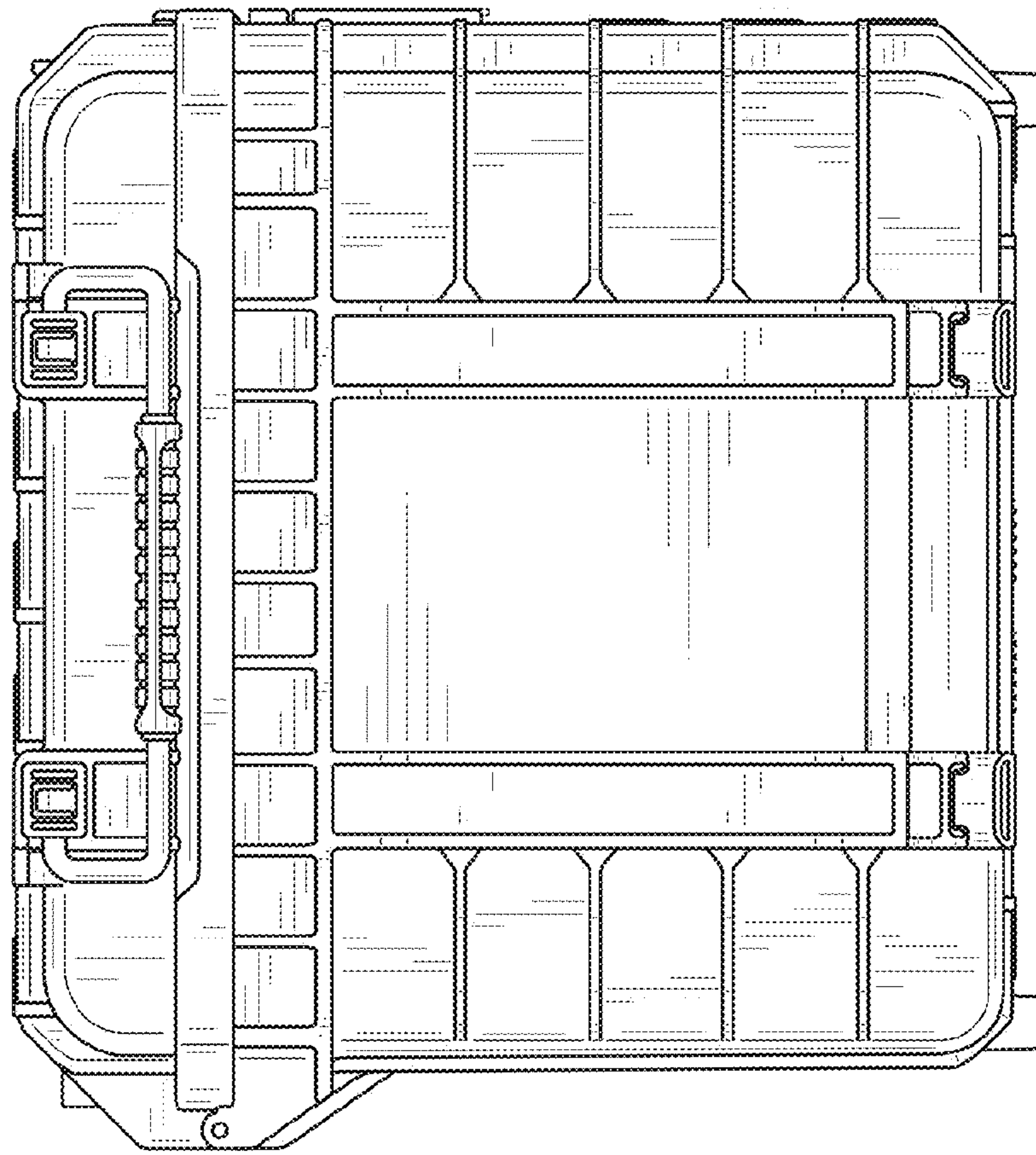


FIG. 3



**FIG. 4**

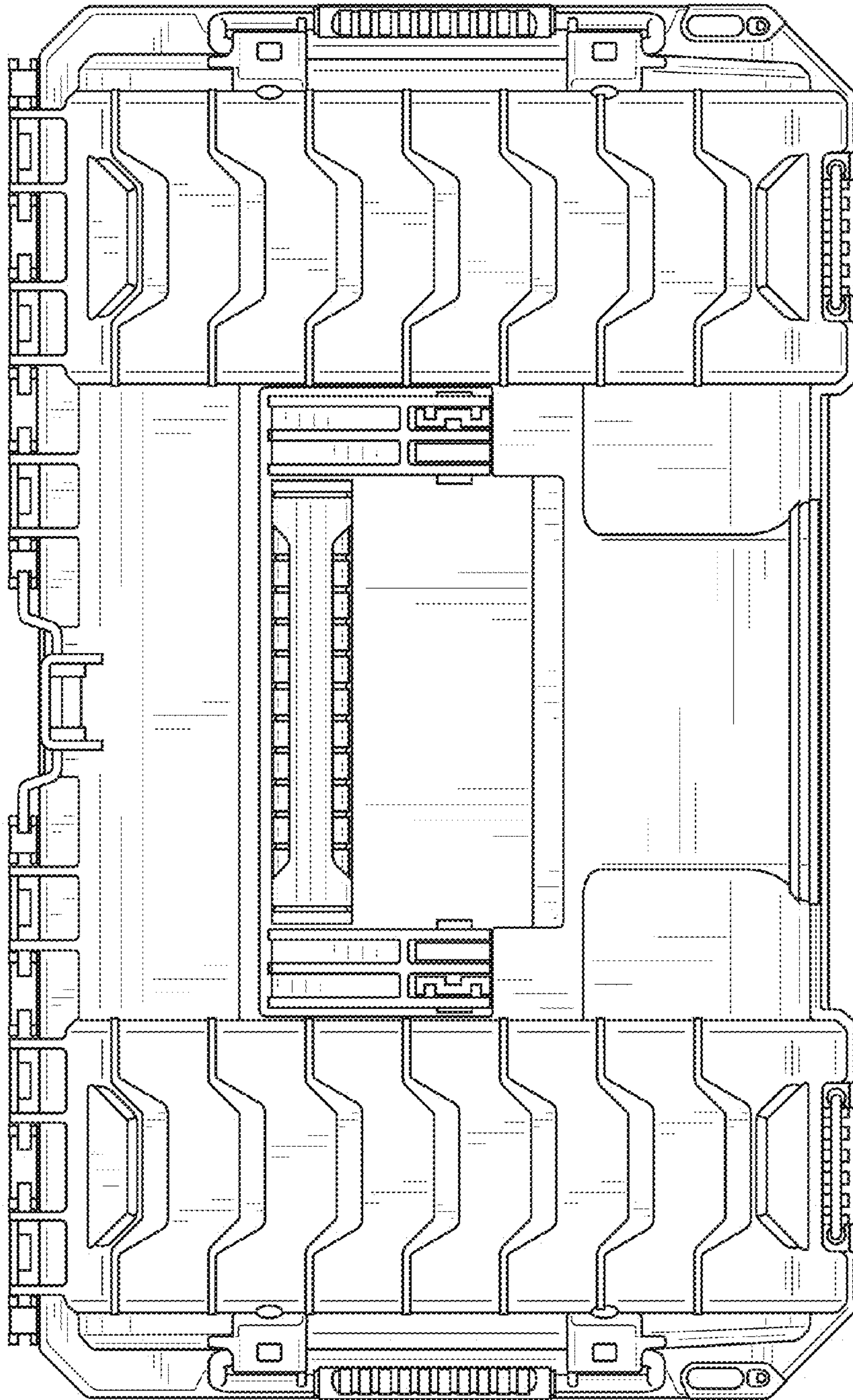


FIG. 5