



US00D753395S

(12) **United States Design Patent**  
**Brunner**

(10) **Patent No.:** **US D753,395 S**  
(45) **Date of Patent:** **\*\* Apr. 12, 2016**

(54) **PORTABLE TOOL BOX**  
(71) Applicant: **KETER PLASTIC LTD.**, Herzelyia (IL)  
(72) Inventor: **Yaron Brunner**, Timrat (IL)  
(73) Assignee: **KETER PLASTIC LTD.**, Herzelyia (IL)

D630,851	S	*	1/2011	Landau et al.	.....	D3/279
D653,832	S	*	2/2012	Vilkomirski et al.	.....	D34/25
D663,952	S	*	7/2012	Crevling et al.	.....	D3/274
D668,048	S	*	10/2012	Vilkomirski et al.	.....	D3/281
D693,121	S	*	11/2013	Bensman et al.	.....	D3/279
D701,696	S	*	4/2014	Shitrit et al.	.....	D3/279
D702,044	S	*	4/2014	Shitrit et al.	.....	D3/281
D709,287	S	*	7/2014	Shitrit	.....	D3/279
D710,100	S	*	8/2014	Brunner	.....	D3/279
8,851,282	B2	*	10/2014	Brunner	.....	206/372
2001/0030403	A1	*	10/2001	Johnson et al.	.....	280/47.26
2007/0273114	A1	*	11/2007	Katz	.....	280/47.18

(\*\*) Term: **14 Years**

\* cited by examiner

(21) Appl. No.: **29/501,481**

*Primary Examiner* — Jennifer Rivard

(22) Filed: **Sep. 4, 2014**

*Assistant Examiner* — April Rivas

(30) **Foreign Application Priority Data**

(74) *Attorney, Agent, or Firm* — Vorys, Sater, Seymour & Pease LLP; William Klima

Mar. 6, 2014 (EM) ..... 002419283-0001

(51) **LOC (10) Cl.** ..... **03-01**

(57) **CLAIM**

The ornamental design for a portable tool box, as shown and described.

(52) **U.S. Cl.**

USPC ..... **D3/279**; D3/281; D3/294; D3/905

**DESCRIPTION**

(58) **Field of Classification Search**

USPC ..... D3/905, 276, 279–284, 291, 294, 295, D3/298, 901, 302, 272, 273, 274, 903; 206/372–379; 220/523–528; 280/47.26, 47.18, 47.131, 47.17

CPC . B25H 3/02–3/028; B25H 3/00; B25H 3/003; B25H 3/006

See application file for complete search history.

FIG. 1 is a front perspective view of a new design for a portable tool box, with the handle at a folded position; FIG. 2 is a front view of a new design for a portable tool box as seen in FIG. 1; FIG. 3 is a rear view of a new design for a portable tool box, showing the handle at a folded position, as seen in FIG. 1; FIG. 4 is a left side view of a new design for a portable tool box, showing the handle at a folded position, as seen in FIG. 1; right side view being a mirror image; and, FIG. 5 is a top view of a new design for a portable tool box, showing the handle at a folded position, as seen in FIG. 1.

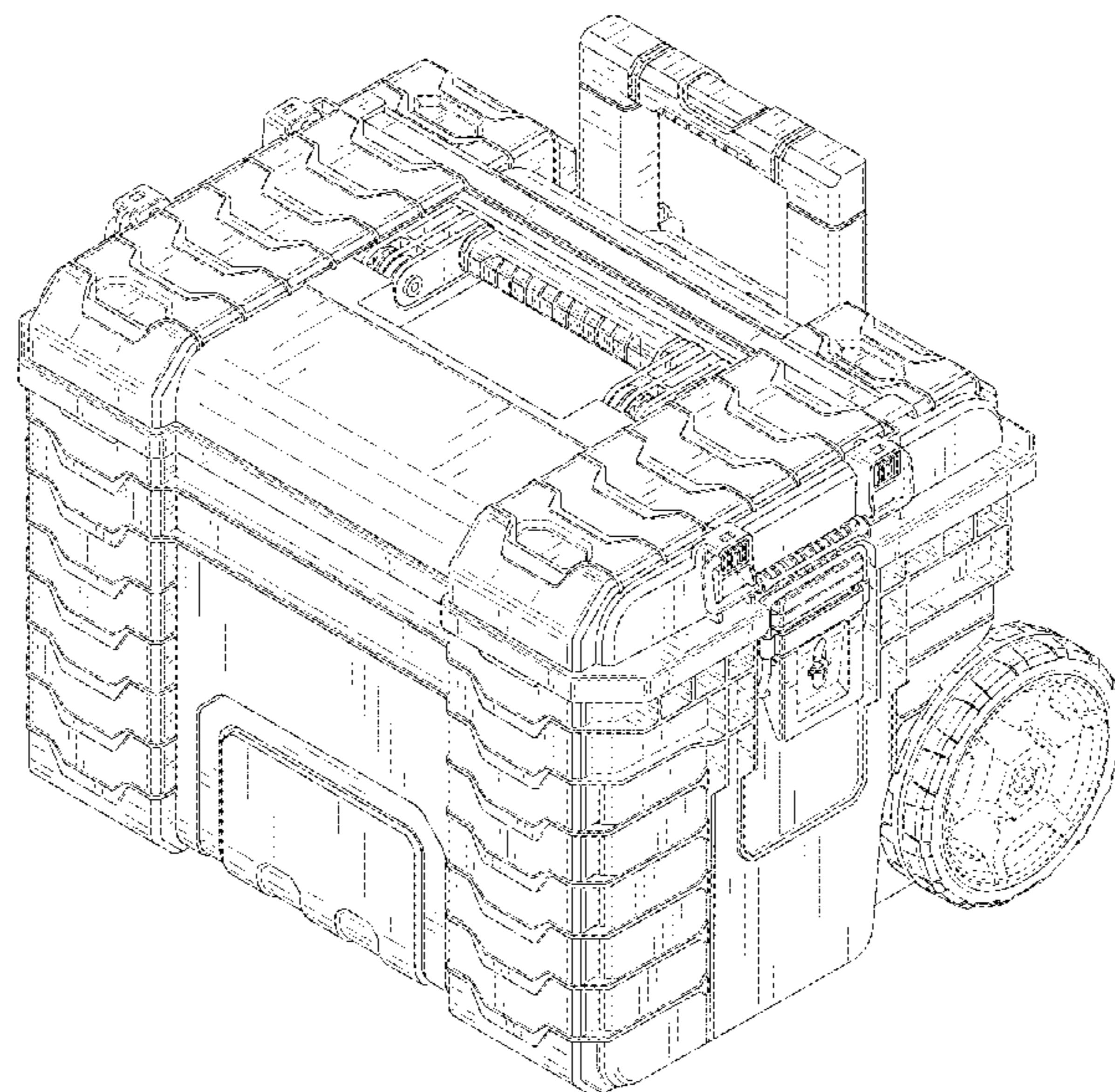
(56) **References Cited**

**U.S. PATENT DOCUMENTS**

D437,484	S	*	2/2001	Tiramani et al.	.....	D3/279
6,761,366	B1	*	7/2004	Klemmensen et al.	....	280/47.26
7,503,569	B2	*	3/2009	Duvigneau	.....	280/47.18
D613,560	S	*	4/2010	Robichaud et al.	.....	D7/605

The broken lines illustrate portions of the portable tool box and form no part of the claimed design.

**1 Claim, 5 Drawing Sheets**



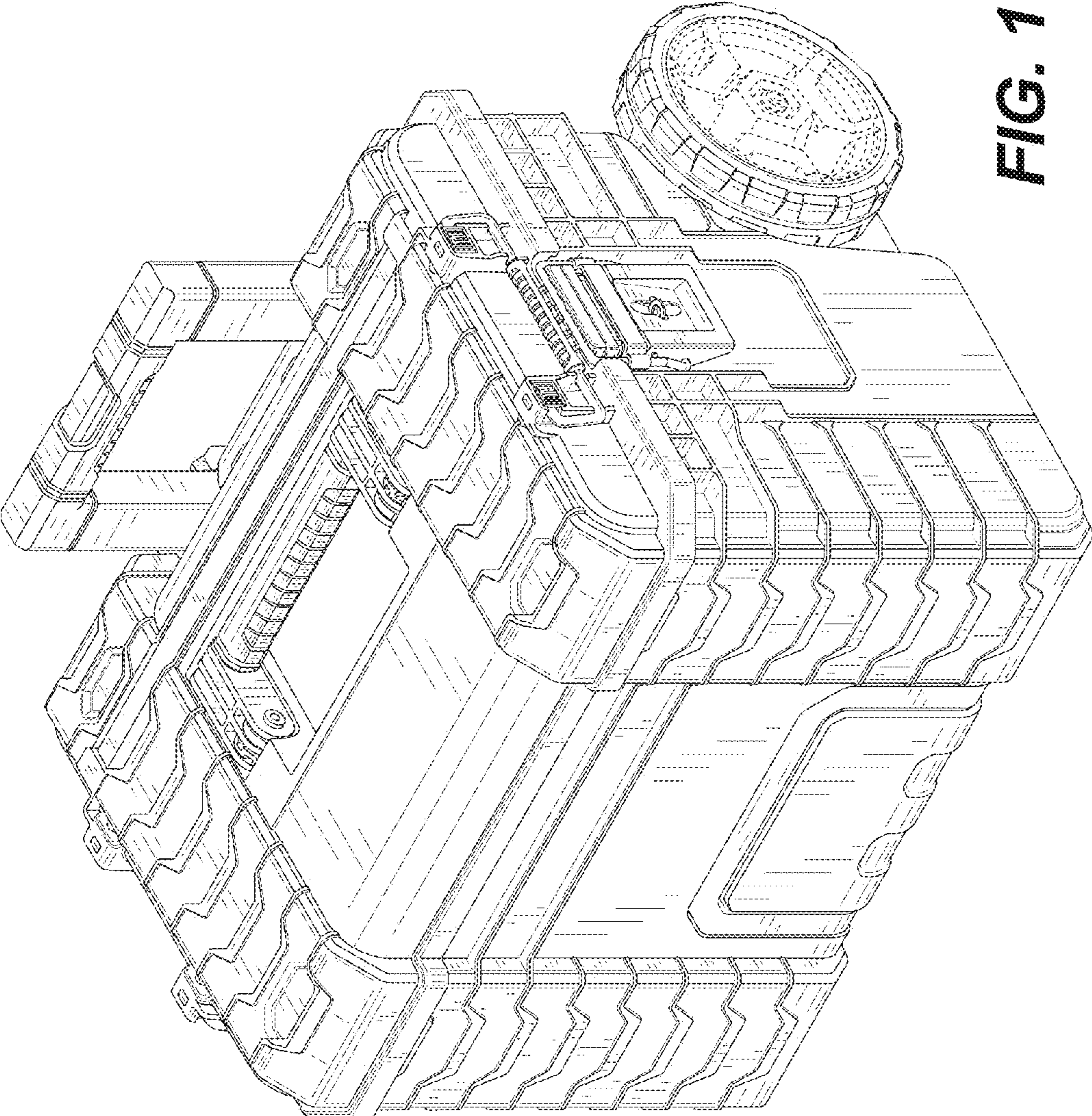
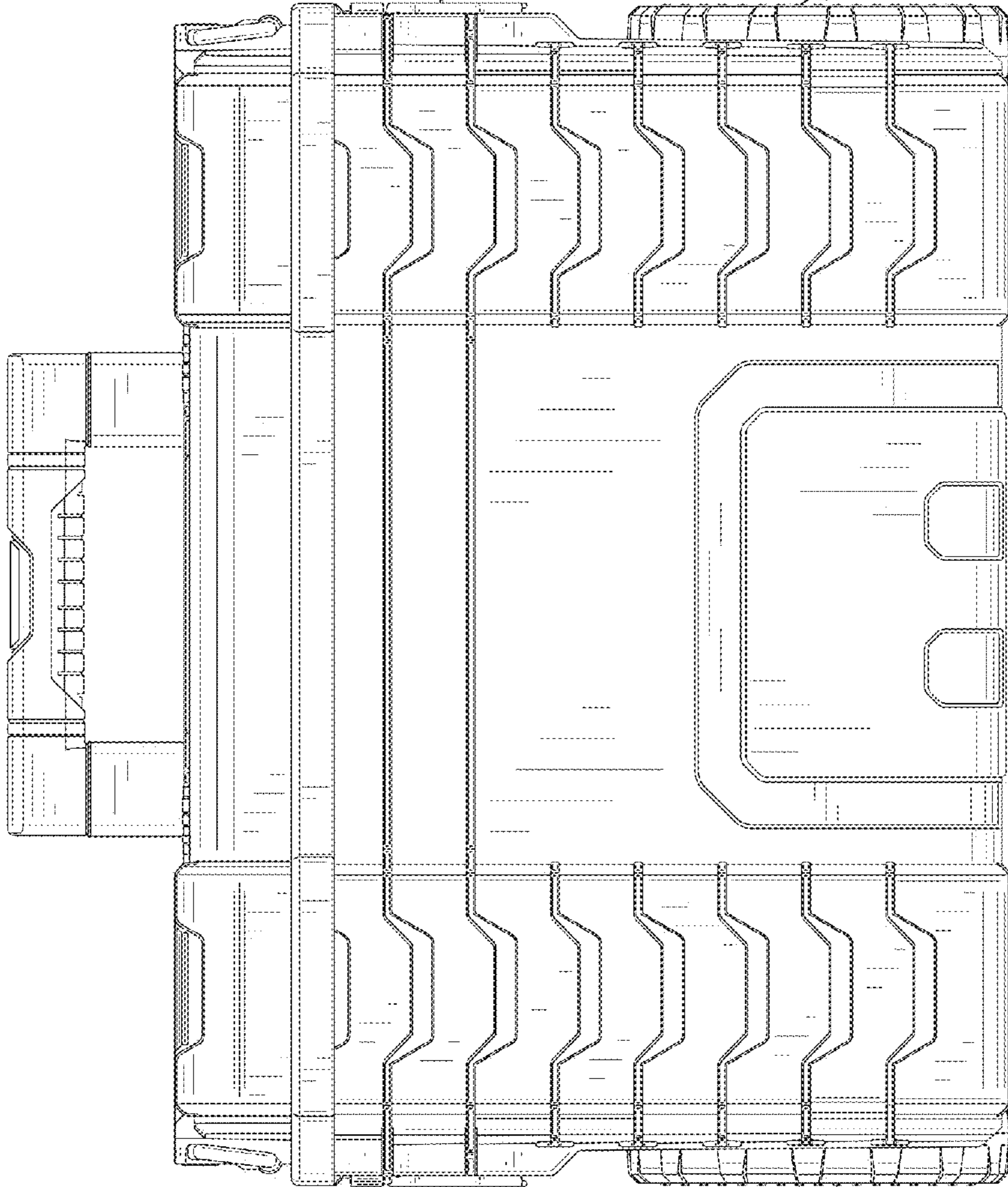


FIG. 1



**FIG. 2**

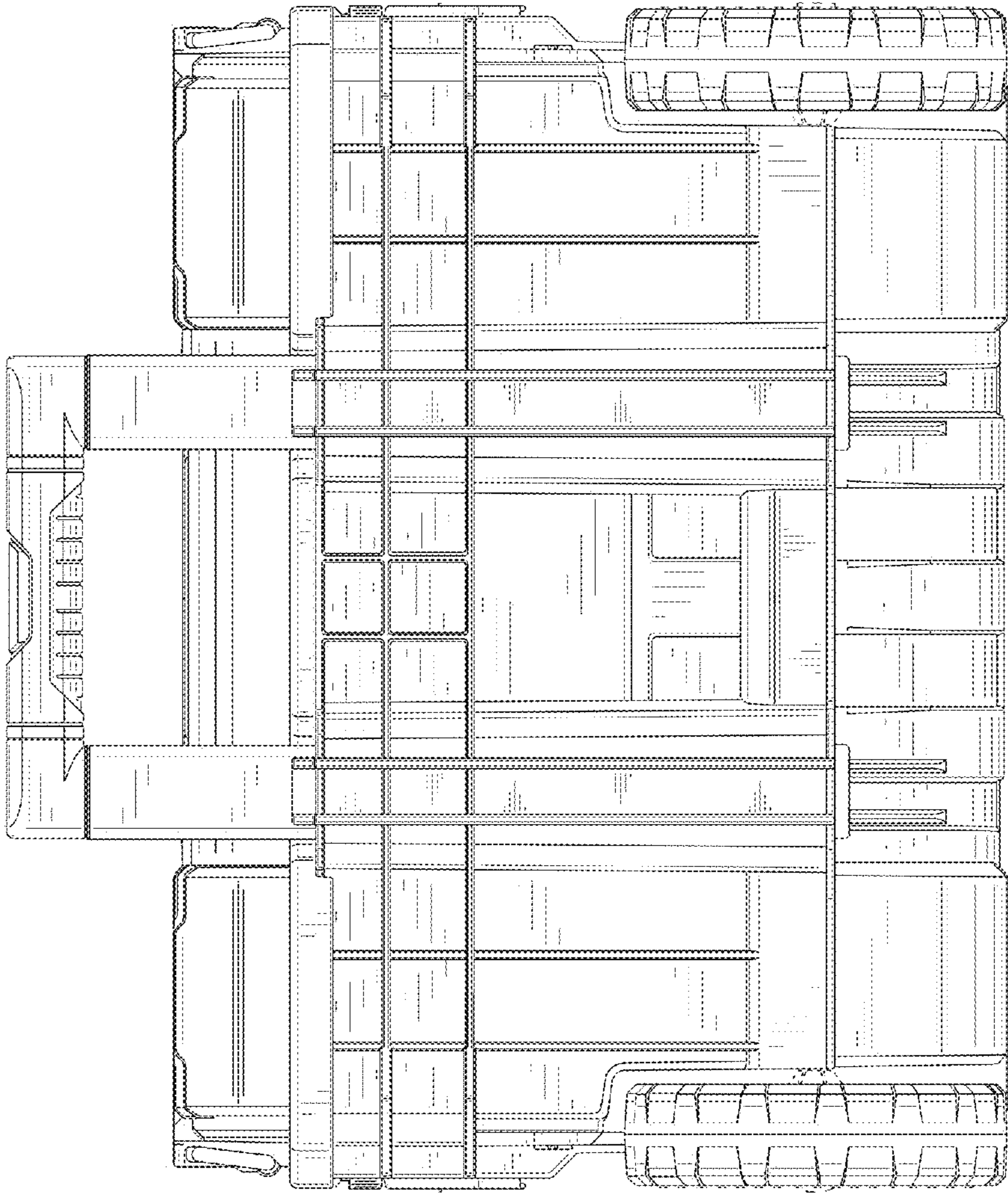
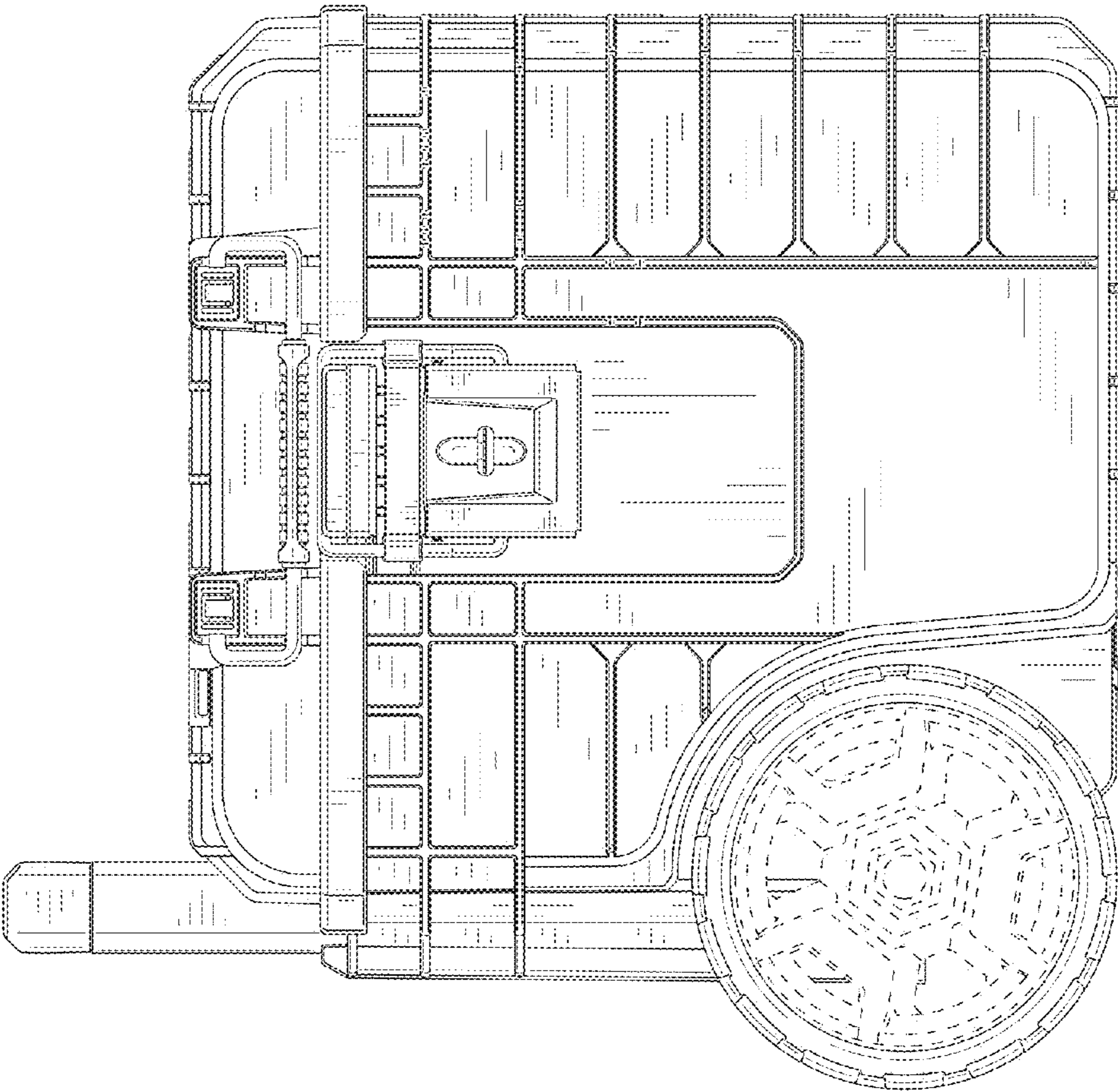


FIG. 3



**FIG. 4**

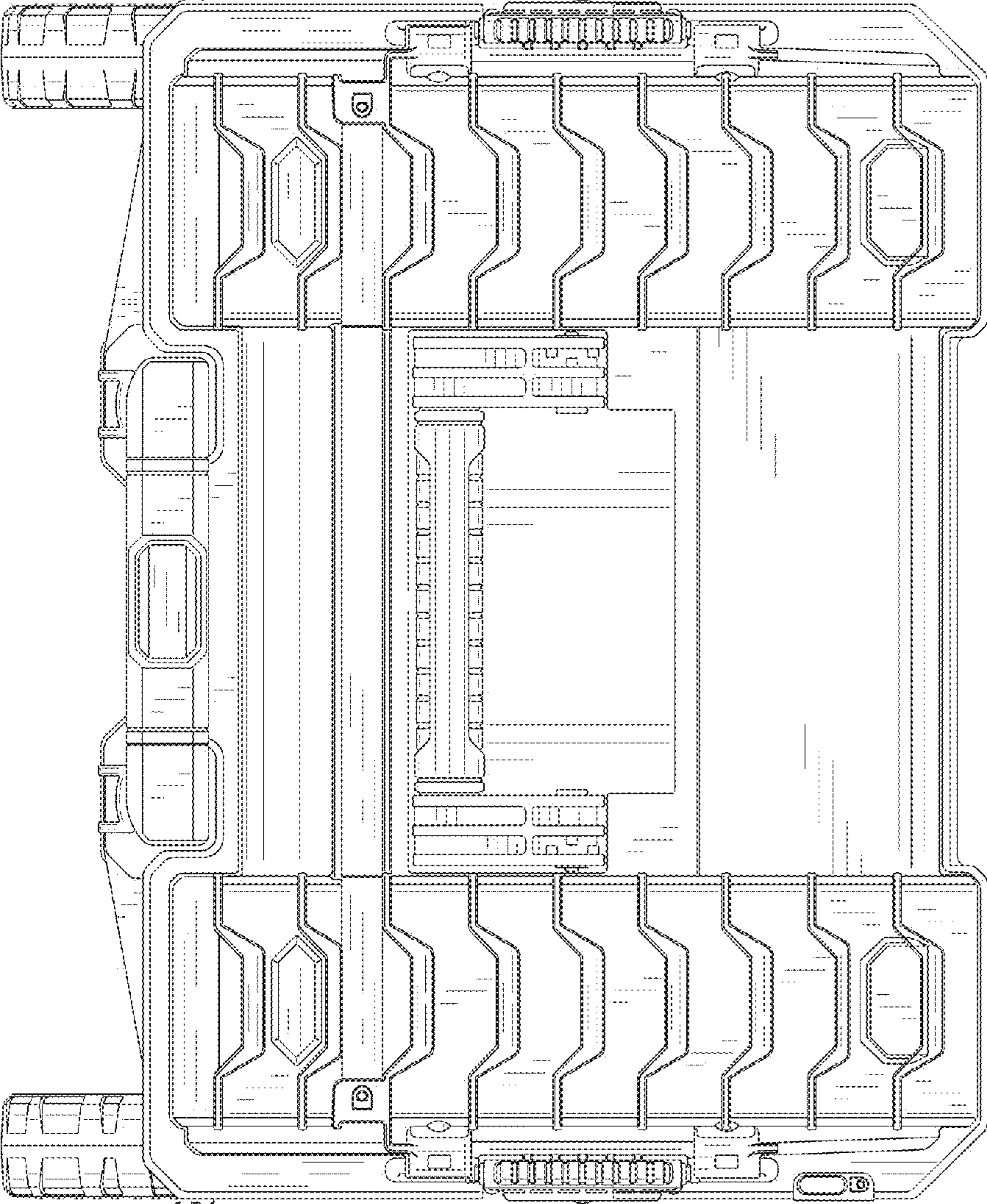


FIG. 5