



US00D753394S

(12) **United States Design Patent**
Brunner

(10) **Patent No.:** **US D753,394 S**

(45) **Date of Patent:** **** Apr. 12, 2016**

(54) **TOOL BOX**

(71) Applicant: **KETER PLASTIC LTD.**, Herzelyia (IL)

(72) Inventor: **Yaron Brunner**, Timrat, IL (US)

(73) Assignee: **KETER PLASTIC LTD.**, Herzelyia (IL)

(**) Term: **14 Years**

(21) Appl. No.: **29/501,491**

(22) Filed: **Sep. 4, 2014**

(30) **Foreign Application Priority Data**

Mar. 6, 2014 (EM) 002419283-0003

(51) **LOC (10) Cl.** **03-01**

(52) **U.S. Cl.**
USPC **D3/276; D3/294; D3/905**

(58) **Field of Classification Search**
USPC D3/905, 276, 279-284, 291, 294, 295, D3/298, 901, 302, 272, 273, 274, 903; 206/372-379; 220/523-528
CPC .. B25H 3/02-3/028; B25H 3/00; B25H 3/003
See application file for complete search history.

(56) **References Cited**

U.S. PATENT DOCUMENTS

D439,407 S *	3/2001	Parker	D3/276
D462,519 S *	9/2002	Gaydos et al.	D3/276
D467,424 S *	12/2002	Hardigg et al.	D3/279
D467,426 S *	12/2002	Hardigg et al.	D3/279
D520,237 S *	5/2006	Cheng	D3/276

D572,479 S *	7/2008	Buck et al.	D3/282
D600,912 S *	9/2009	Brunner	D3/291
D636,994 S *	5/2011	Okuda et al.	D3/276
D674,605 S *	1/2013	Vilkomirski et al.	D3/281
D701,697 S *	4/2014	Sabbag et al.	D3/281
D703,436 S *	4/2014	Sabbag et al.	D3/281
D703,437 S *	4/2014	Bar-Erez	D3/282
D710,098 S *	8/2014	Horowitz	D3/276
D711,105 S *	8/2014	Brunner	D3/281
D719,352 S *	12/2014	Shitrit	D3/282
2012/0152944 A1 *	6/2012	Vilkomirski et al.	220/4.28

* cited by examiner

Primary Examiner — Jennifer Rivard

Assistant Examiner — April Rivas

(74) *Attorney, Agent, or Firm* — Vorys, Sater, Seymour & Pease LLP; William Klima

(57) **CLAIM**

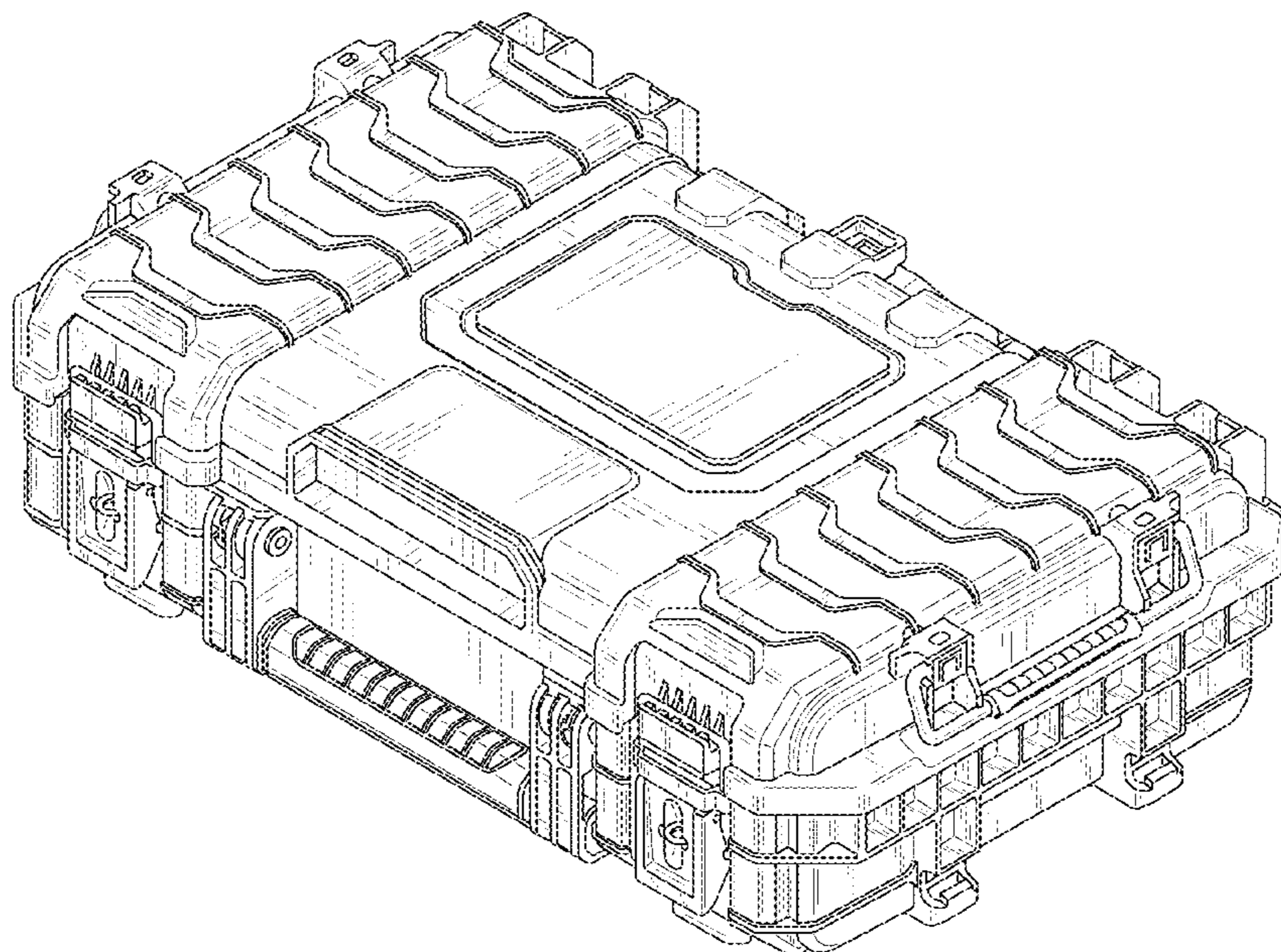
The ornamental design for a tool box, as shown and described.

DESCRIPTION

FIG. 1 is a front perspective view of a new design for a tool box;
FIG. 2 is a front view of a new design for a tool box as seen in FIG. 1;
FIG. 3 is a rear view of a new design for a tool box as seen in FIG. 1;
FIG. 4 is a left side view of a new design for a tool box as seen in FIG. 1; right side view being a mirror image; and,
FIG. 5 is a top view of a new design for a tool box as seen in FIG. 1.

The broken lines illustrate portions of the tool box, and form no part of the claimed design.

1 Claim, 5 Drawing Sheets



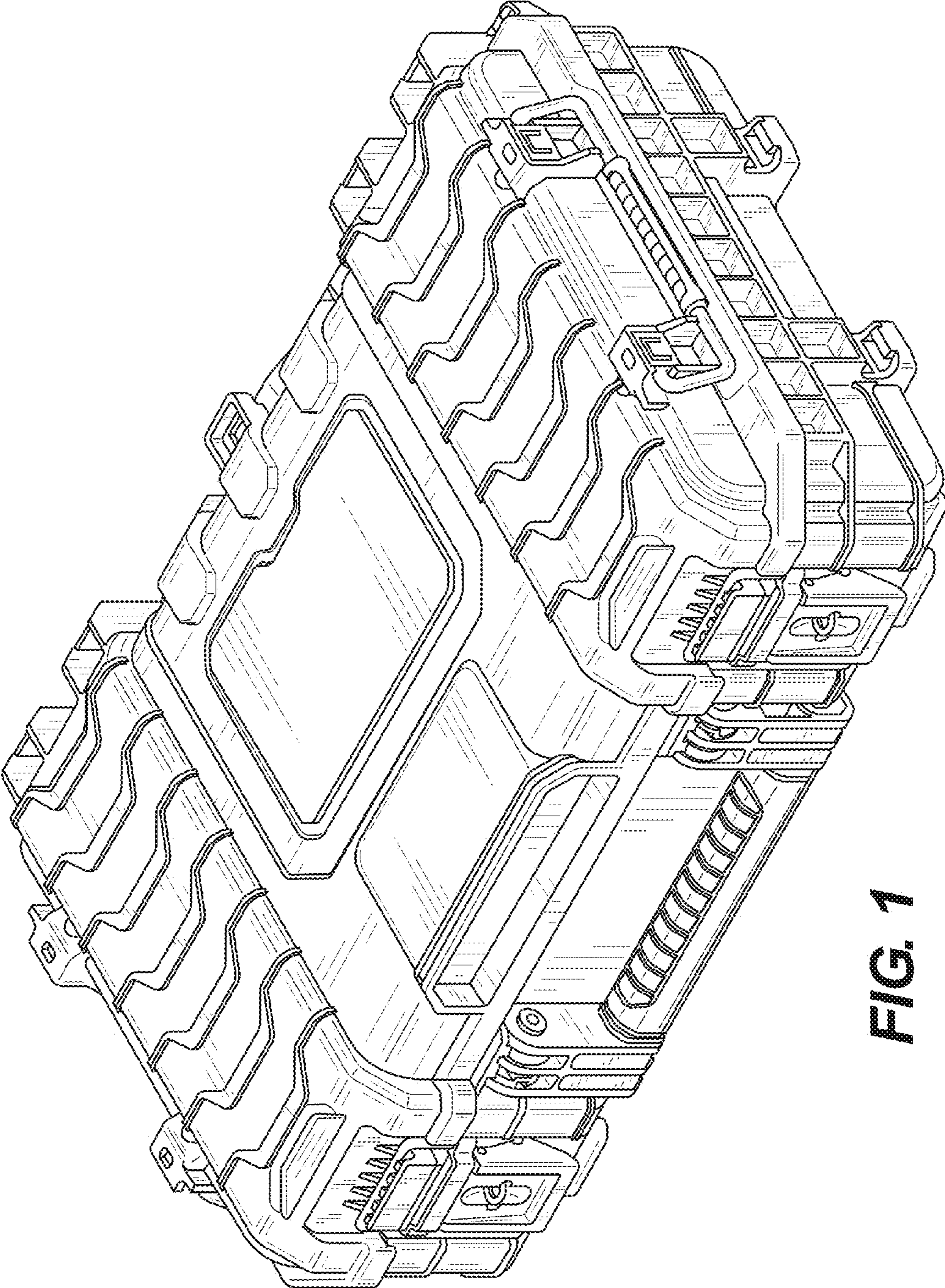


FIG. 1

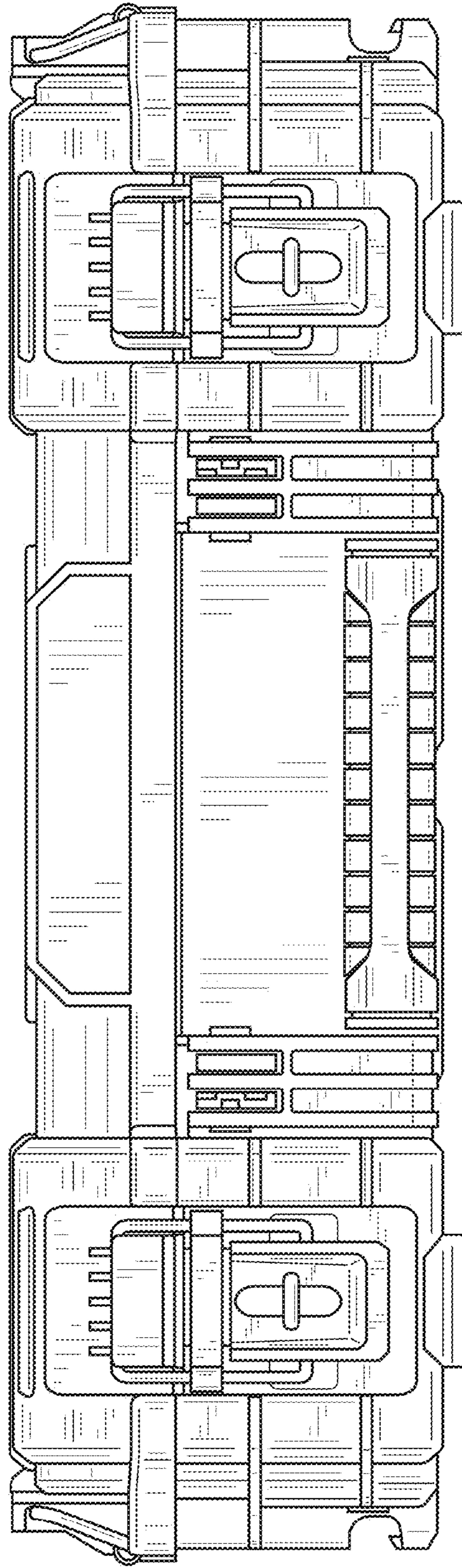


FIG. 2

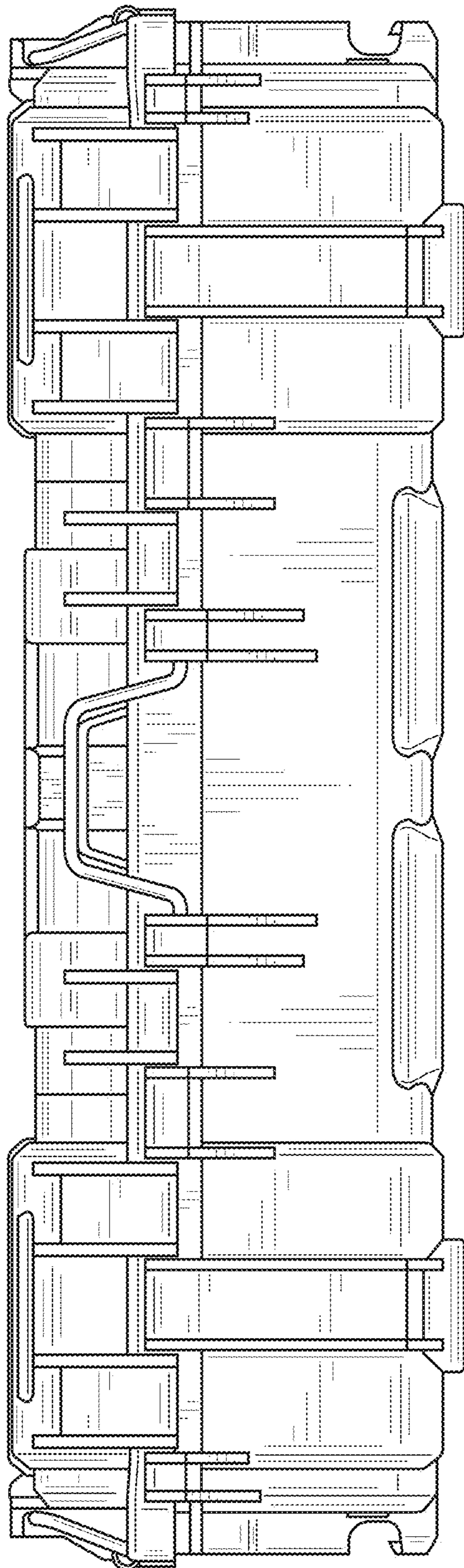


FIG. 3

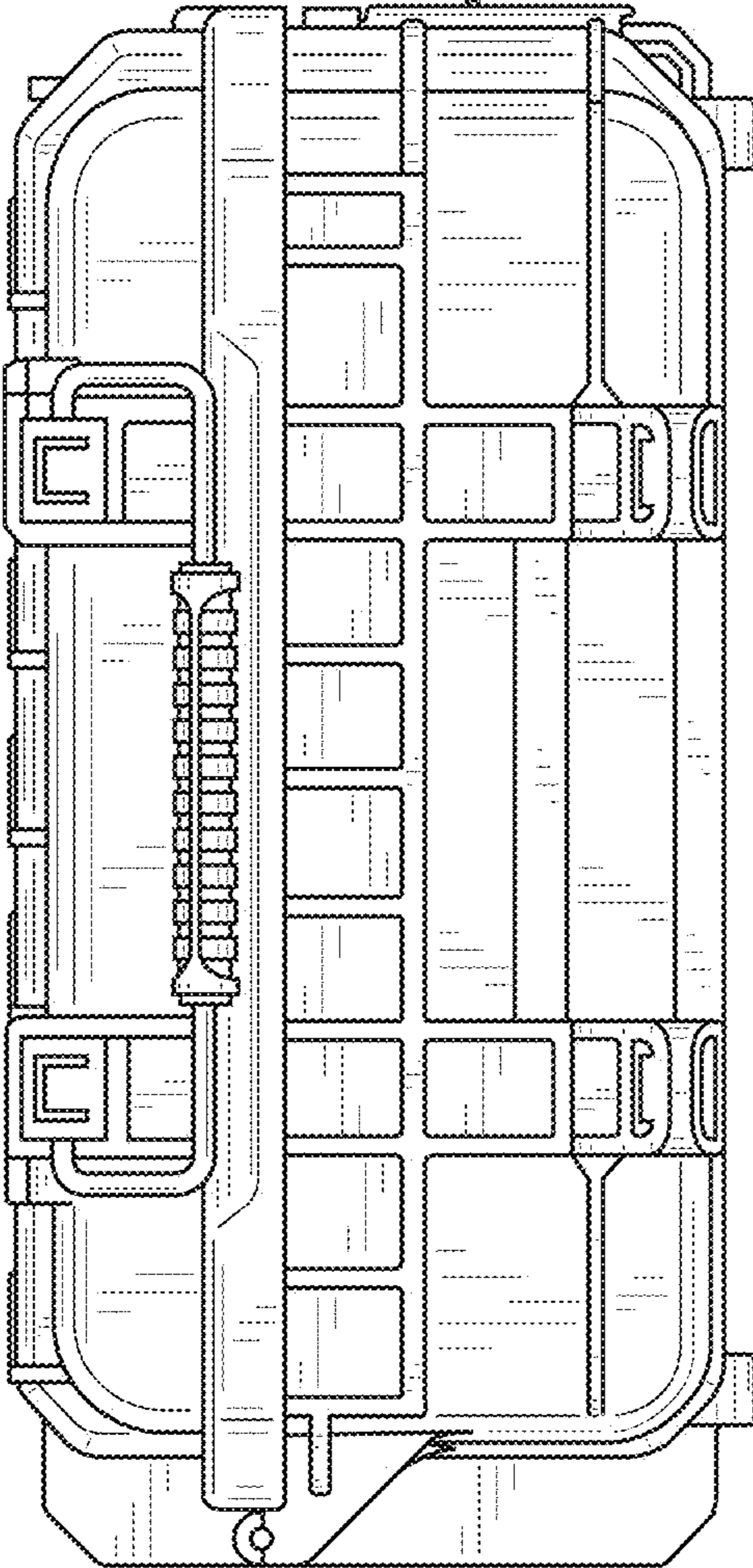


FIG. 4

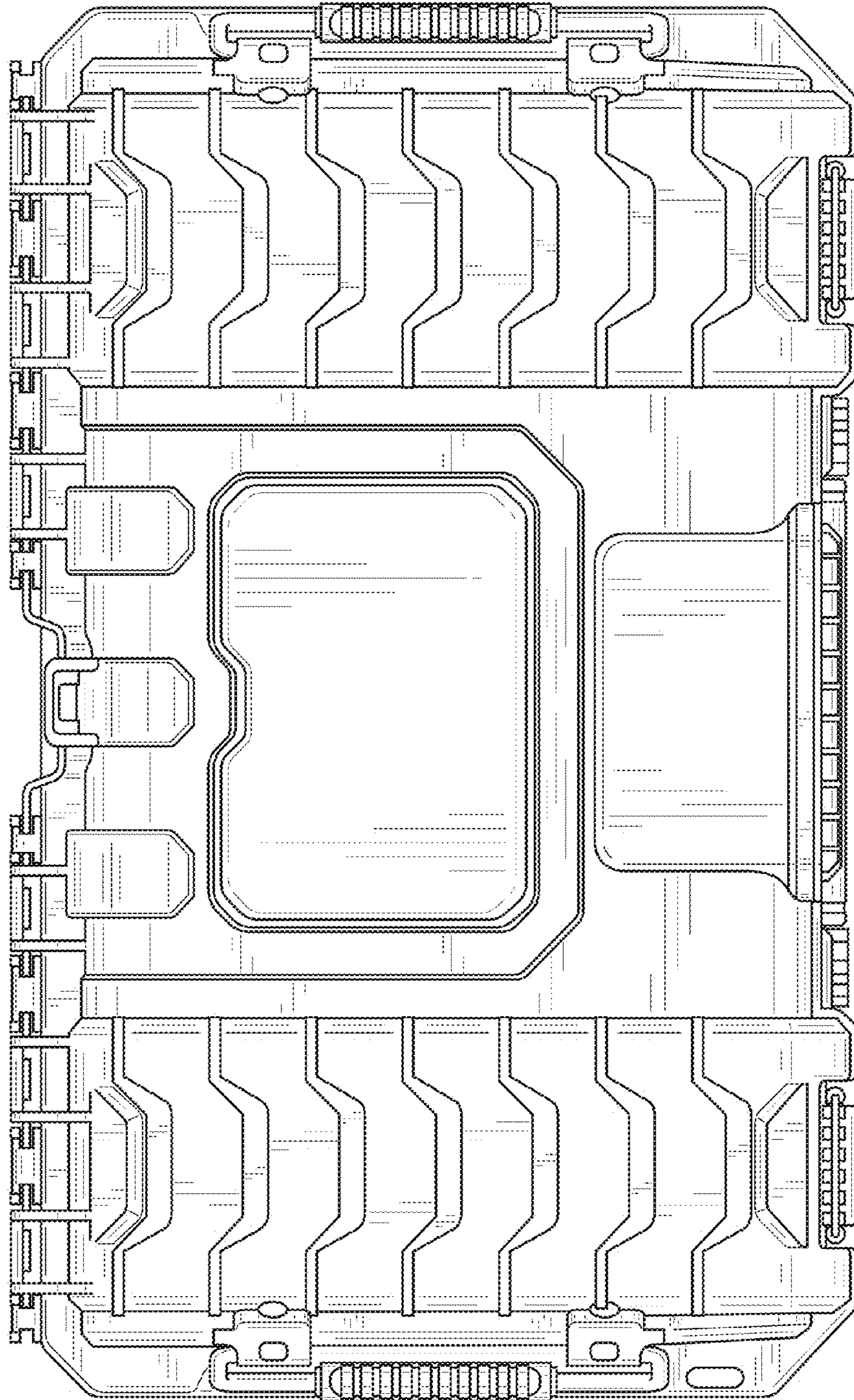


FIG. 5