



US00D753393S

(12) **United States Design Patent**
Haas et al.

(10) **Patent No.:** **US D753,393 S**
(45) **Date of Patent:** **** Apr. 12, 2016**

(54) **TRANSPORTATION AND STORAGE CONTAINER**

CPC B65D 19/02; B65D 19/00; B65D 19/38;
B65D 19/06; B65D 19/12
See application file for complete search history.

(71) Applicant: **Daimler AG**, Stuttgart (DE)

(56) **References Cited**

(72) Inventors: **Richard Haas**, Grafenau (DE); **Jan Schwanauer**, Schwieberdingen (DE)

U.S. PATENT DOCUMENTS

(73) Assignee: **Daimler AG**, Stuttgart (DE)

3,401,814 A	9/1968	Alfred et al.
4,000,704 A	1/1977	Griffin, Jr.
4,287,997 A	9/1981	Rolfe et al.
4,413,737 A	11/1983	Wind
RE32,344 E	2/1987	Wind
D289,108 S	4/1987	Guibault

(**) Term: **15 Years**

(Continued)

(21) Appl. No.: **29/528,873**

Primary Examiner — Jennifer Rivard
Assistant Examiner — April Rivas

(22) Filed: **Jun. 2, 2015**

(74) *Attorney, Agent, or Firm* — Crowell & Moring LLP

Related U.S. Application Data

(62) Division of application No. 29/454,604, filed on May 13, 2013.

(57) **CLAIM**

The ornamental design for a transportation and storage container, as shown and described.

(30) **Foreign Application Priority Data**

DESCRIPTION

Nov. 13, 2012	(EM)	002134841-0001
Nov. 13, 2012	(EM)	002134841-0002
Nov. 13, 2012	(EM)	002134841-0003
Nov. 13, 2012	(EM)	002134841-0004
Nov. 13, 2012	(EM)	002134841-0005
Nov. 13, 2012	(EM)	002134841-0006
Nov. 13, 2012	(EM)	002134841-0007
Nov. 13, 2012	(EM)	002134841-0008

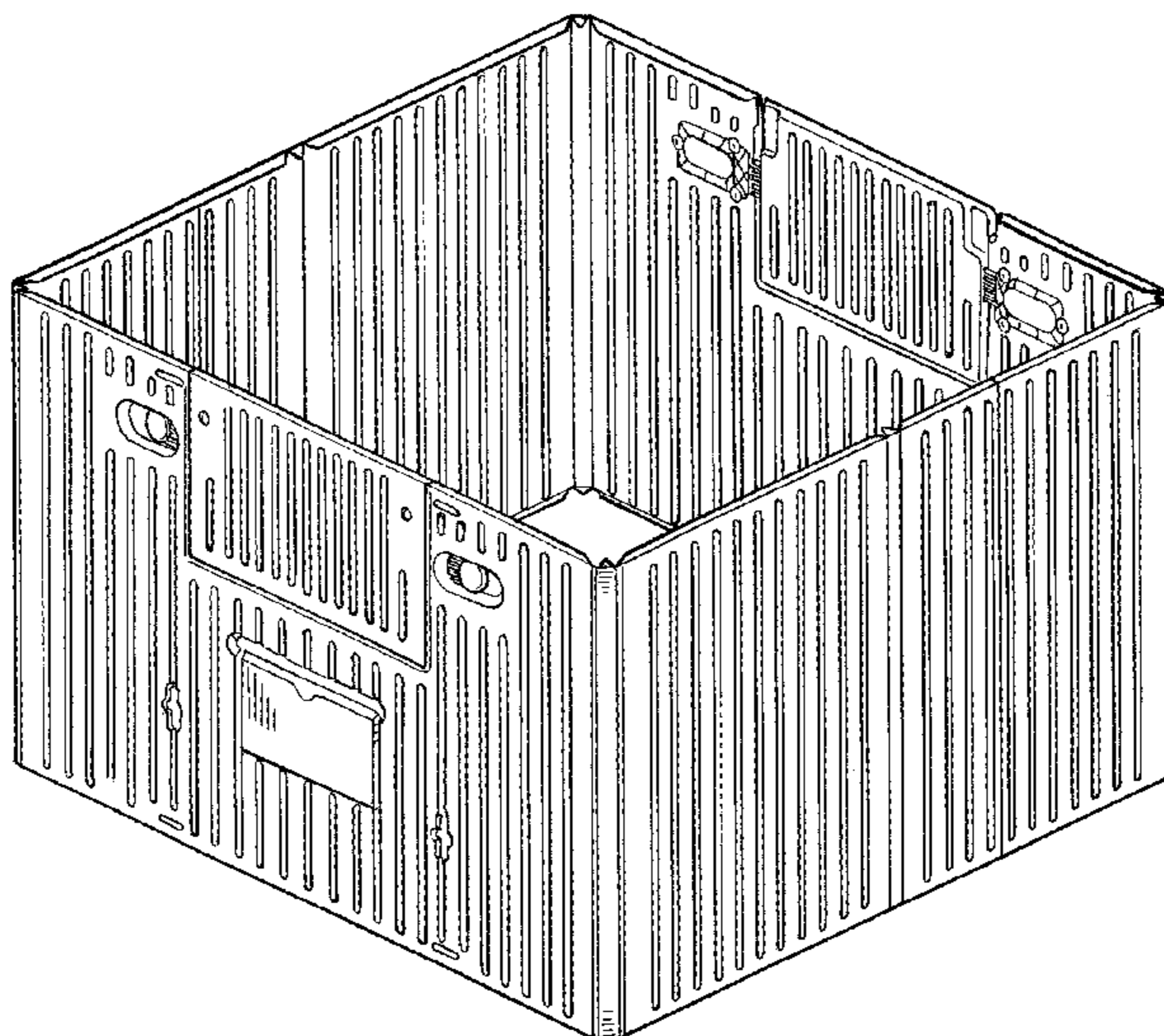
FIG. 1 is a front, right perspective view of a transportation and storage container according to the design, the front, left perspective view being mirror symmetrical;
FIG. 2 is a front view thereof;
FIG. 3 is a rear view thereof;
FIG. 4 is a side view thereof, the opposite side view being identical;
FIG. 5 is a top view thereof;
FIG. 6 is a bottom view thereof;
FIG. 7 is an enlarged view of a corner section thereof;
FIG. 8 is a further enlarged view of a corner section thereof;
and,
FIG. 9 is a front, right perspective view thereof, showing a rear element in an alternate position, the front, left perspective view being mirror symmetrical.
The broken lines in the enlarged fragment views of FIGS. 7 and 8 form no part of the claimed design.

(51) **LOC (10) Cl.** **03-01**

(52) **U.S. Cl.**
USPC **D3/272**

(58) **Field of Classification Search**
USPC D3/260, 272, 273, 288, 282, 201, 294,
D3/295, 304; 206/386, 503, 508, 509, 571,
206/595, 596, 597, 598, 599, 600, 511;
222/92, 93, 94, 95, 96, 97, 98, 99, 100,
222/101, 102, 103, 104, 105, 106, 107,
222/220; 220/1.5, 1.6; D9/433; D34/38

1 Claim, 8 Drawing Sheets



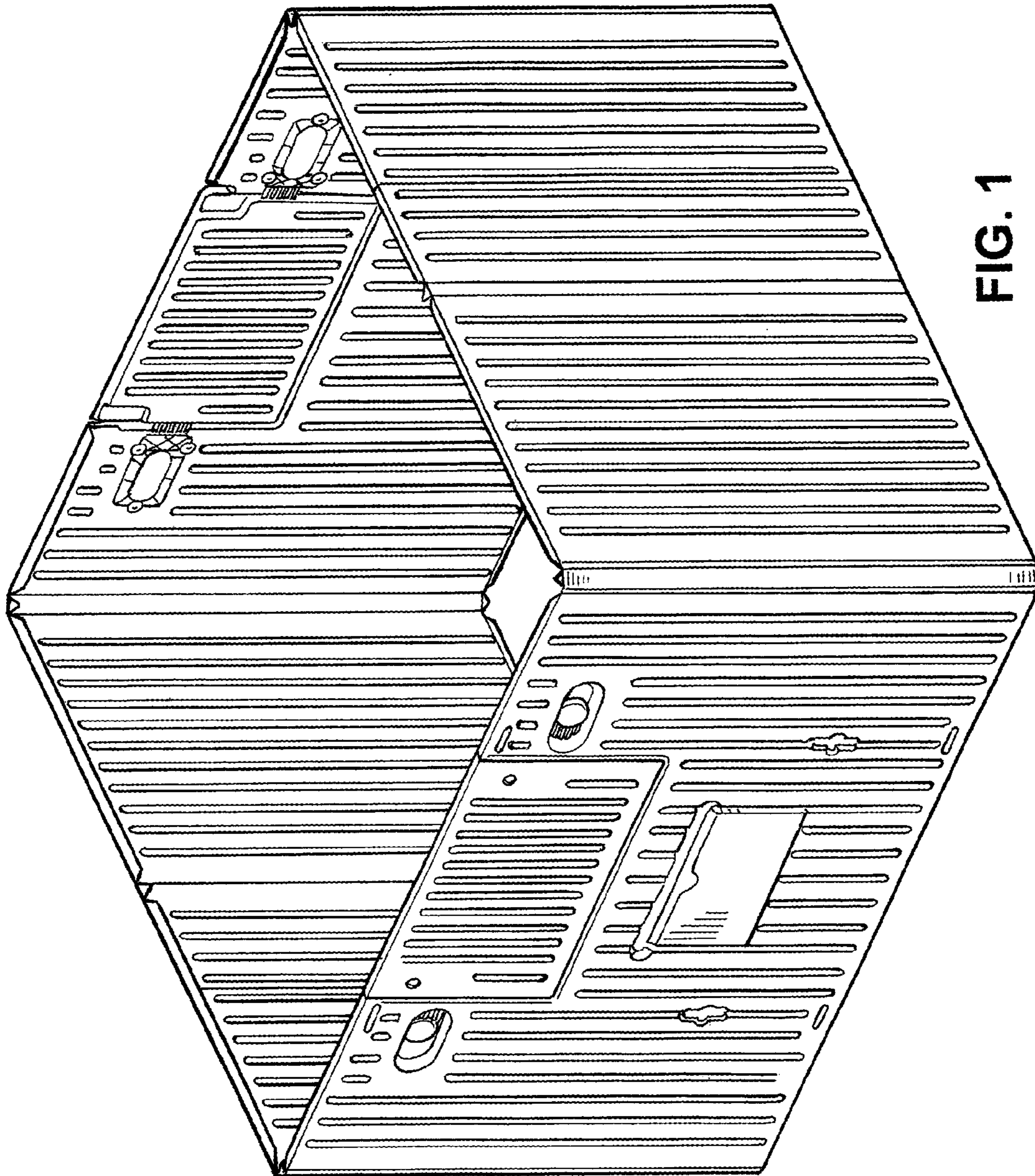


FIG. 1

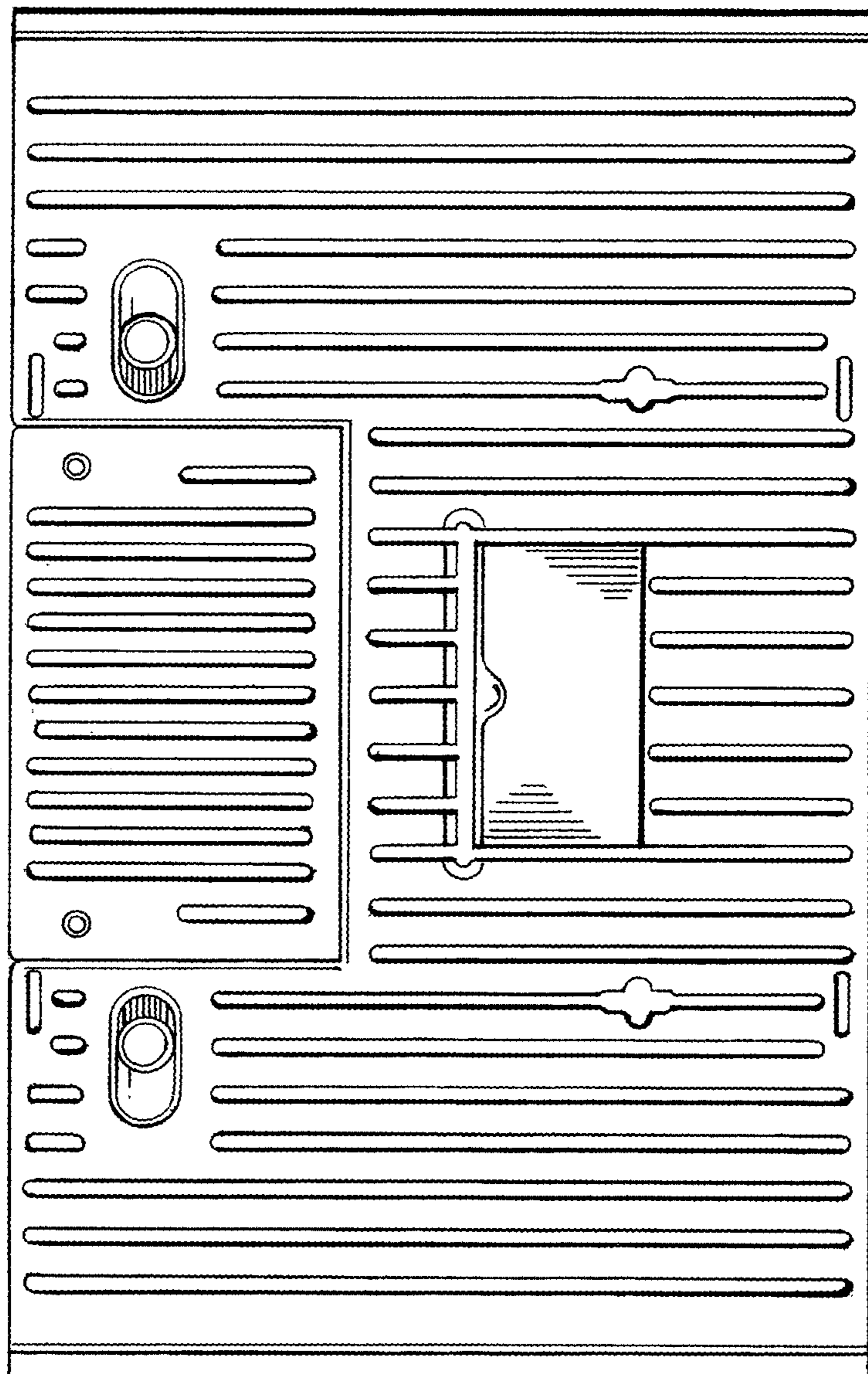


FIG. 2

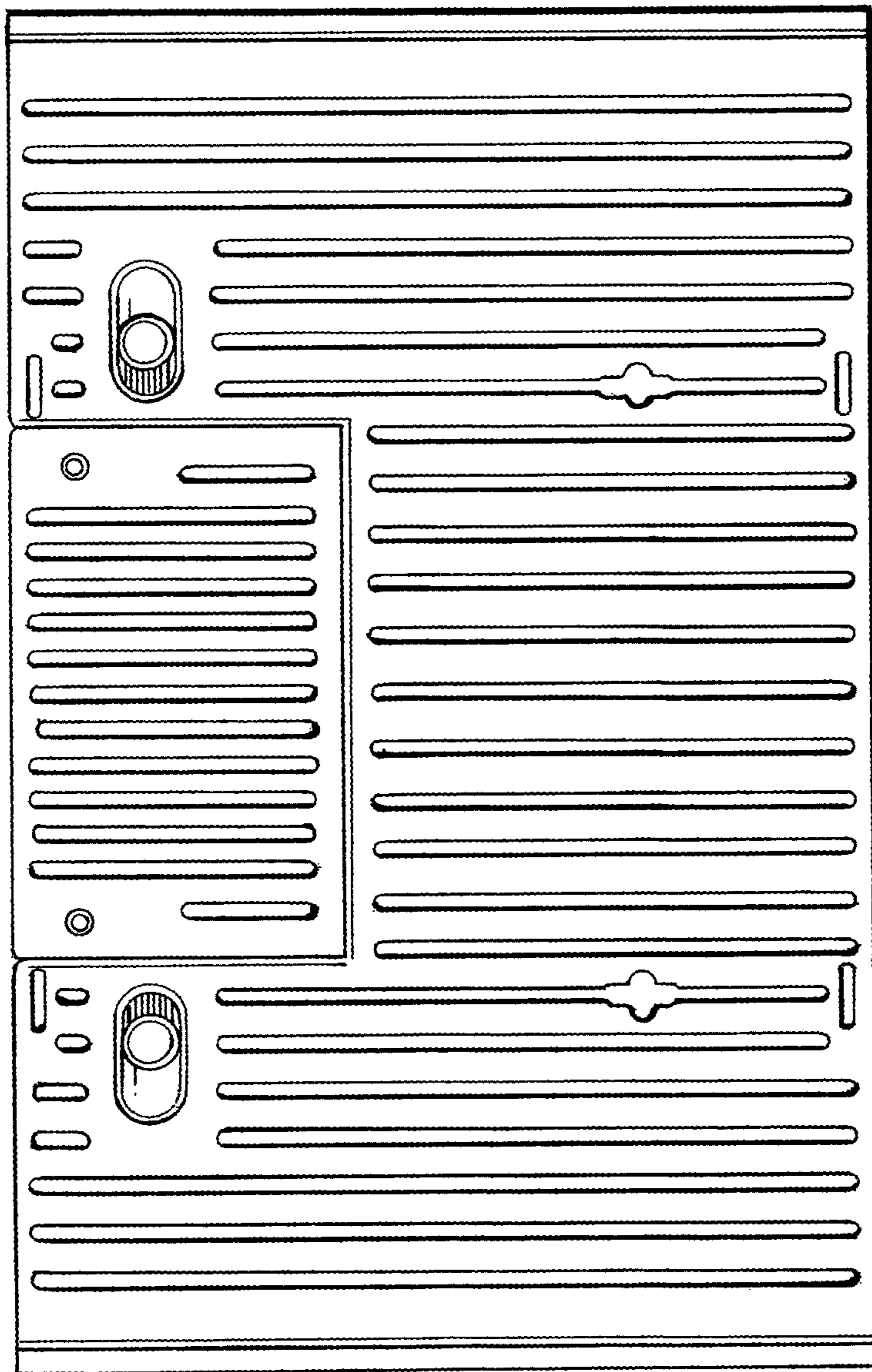


FIG. 3

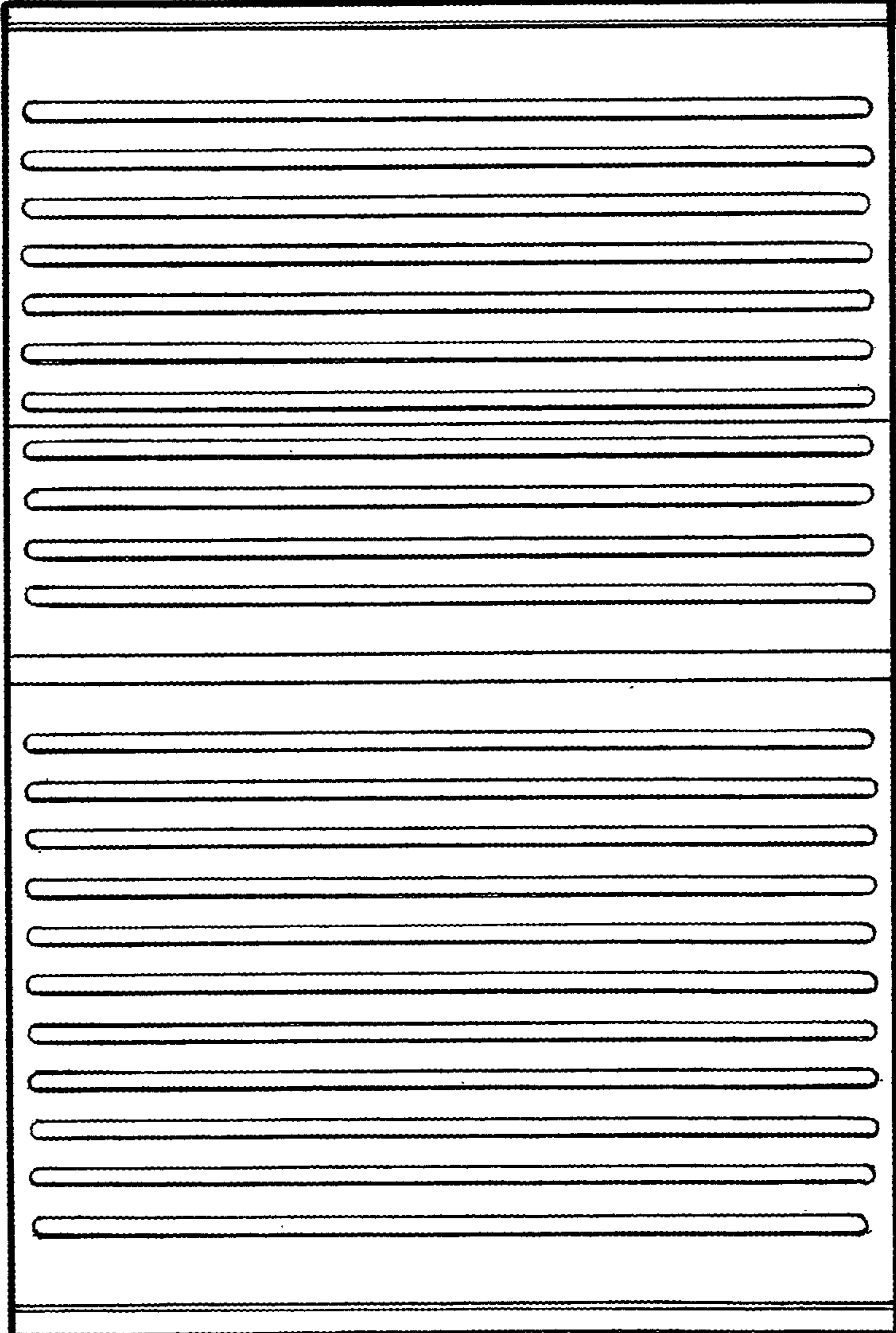


FIG. 4

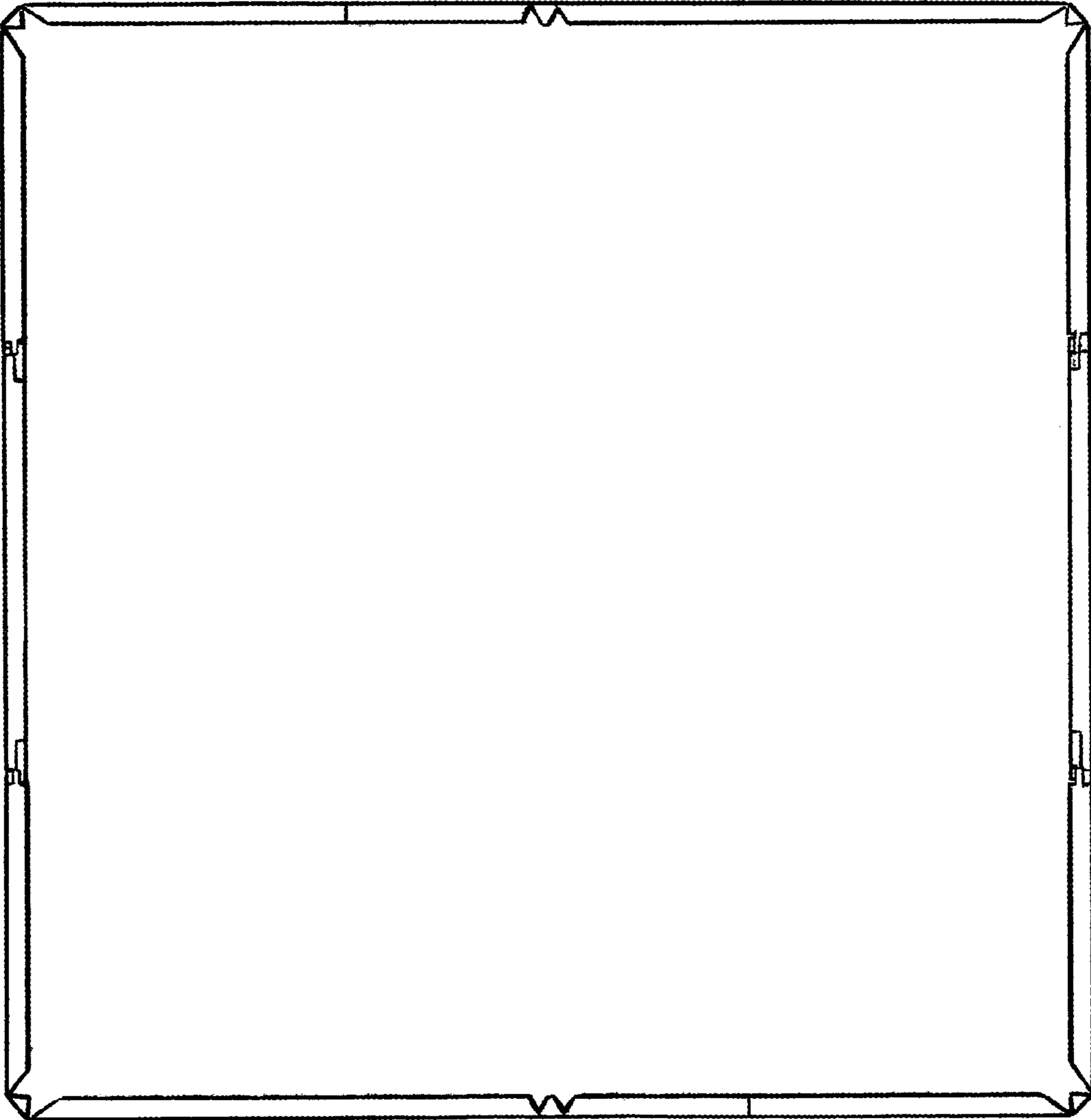


FIG. 5

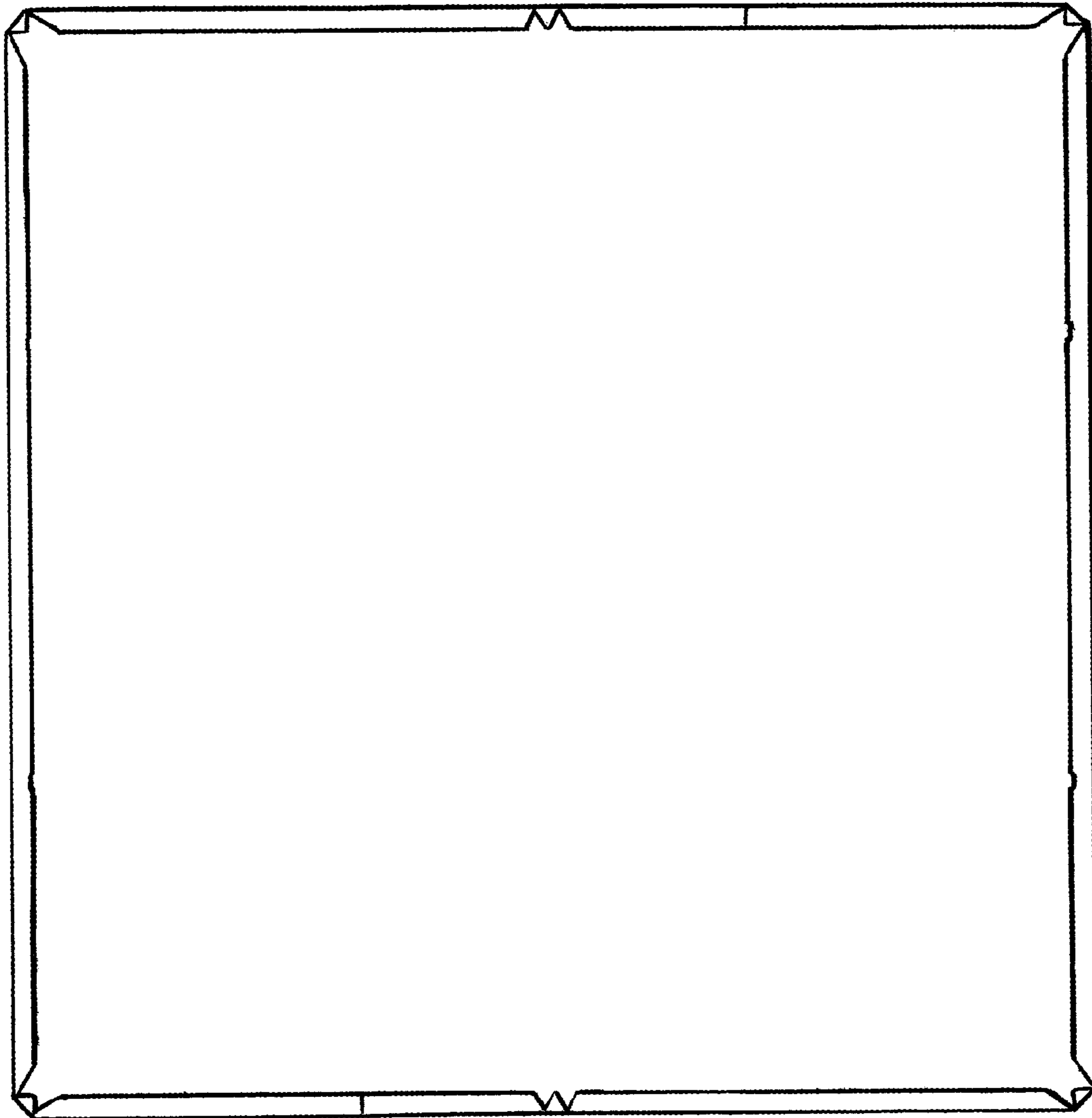


FIG. 6

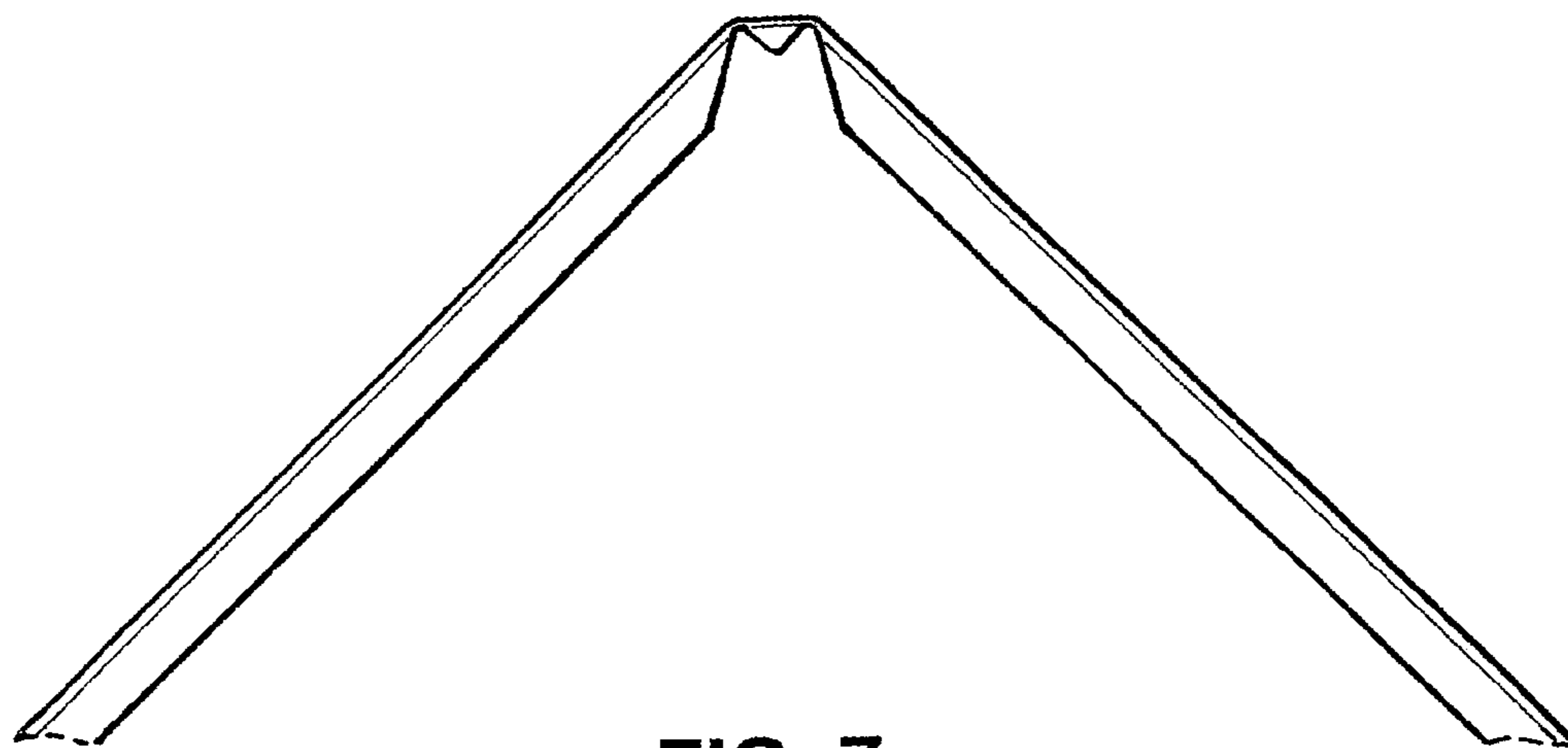


FIG. 7

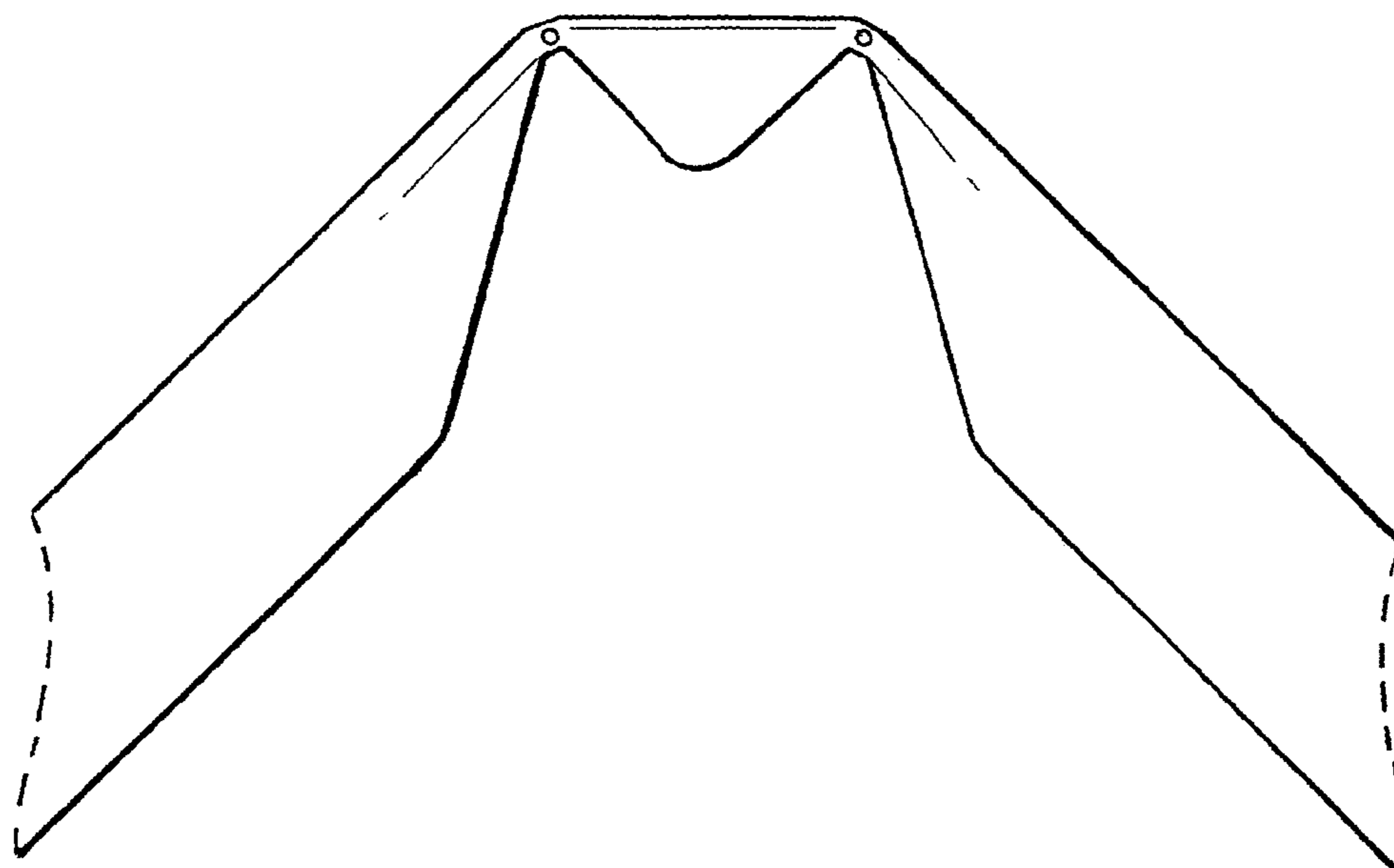


FIG. 8

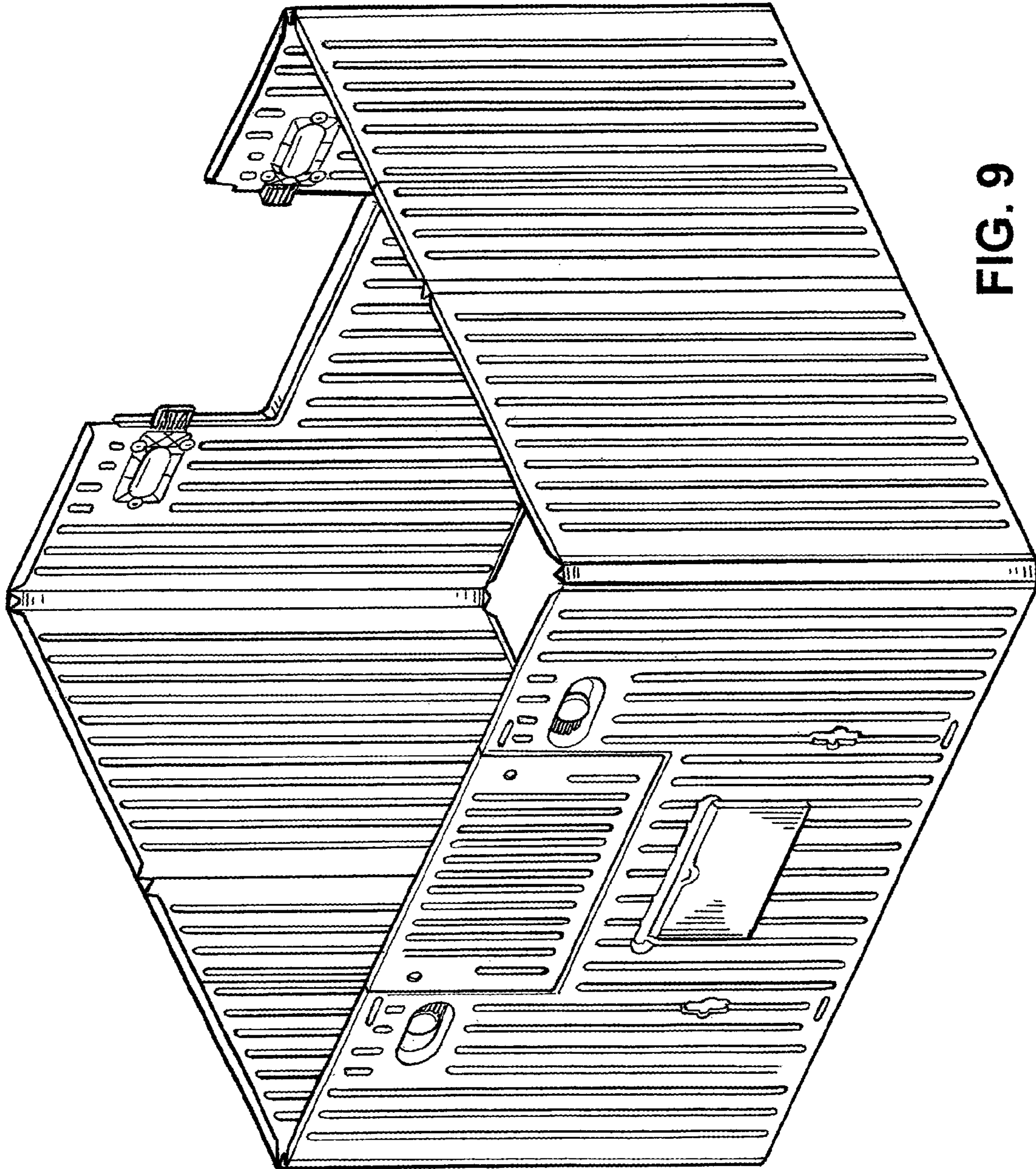


FIG. 9