



US00D753386S

(12) **United States Design Patent**
Pan et al.

(10) **Patent No.:** **US D753,386 S**
(45) **Date of Patent:** **** Apr. 12, 2016**

- (54) **ARMBAND FOR MOBILE PHONE**
- (71) Applicant: **Superior Communications, Inc.**,
Irwindale, CA (US)
- (72) Inventors: **Jason Pan**, Los Angeles, CA (US);
Alexander Greenough, Helston (GB);
Ming-Shiuan Li, Changhua (TW)
- (73) Assignee: **Superior Communications, Inc.**,
Irwindale, CA (US)
- (**) Term: **14 Years**
- (21) Appl. No.: **29/502,603**
- (22) Filed: **Sep. 17, 2014**
- (51) **LOC (10) Cl.** **03-01**
- (52) **U.S. Cl.**
USPC **D3/218**
- (58) **Field of Classification Search**
USPC D3/218–219, 215, 226; 224/219, 222,
224/267, 269, 197, 221, 240, 245, 250, 575,
224/930; 455/575.1–575.8
CPC A45C 1/04; A45F 5/00; A45F 2200/0508;
A45F 2200/0516; A45F 2005/008; A45F
5/021
See application file for complete search history.

- 4,509,667 A * 4/1985 Meldrum A45F 5/00
224/222
- 4,601,418 A * 7/1986 Gruzensky A45C 1/04
224/222
- D536,868 S * 2/2007 Jackson D3/218
- D716,040 S * 10/2014 Soriano D3/218
- D722,764 S * 2/2015 Sloan D3/218

* cited by examiner

Primary Examiner — Catheri Oliver-Garcia
(74) *Attorney, Agent, or Firm* — Snell & Wilmer LLP

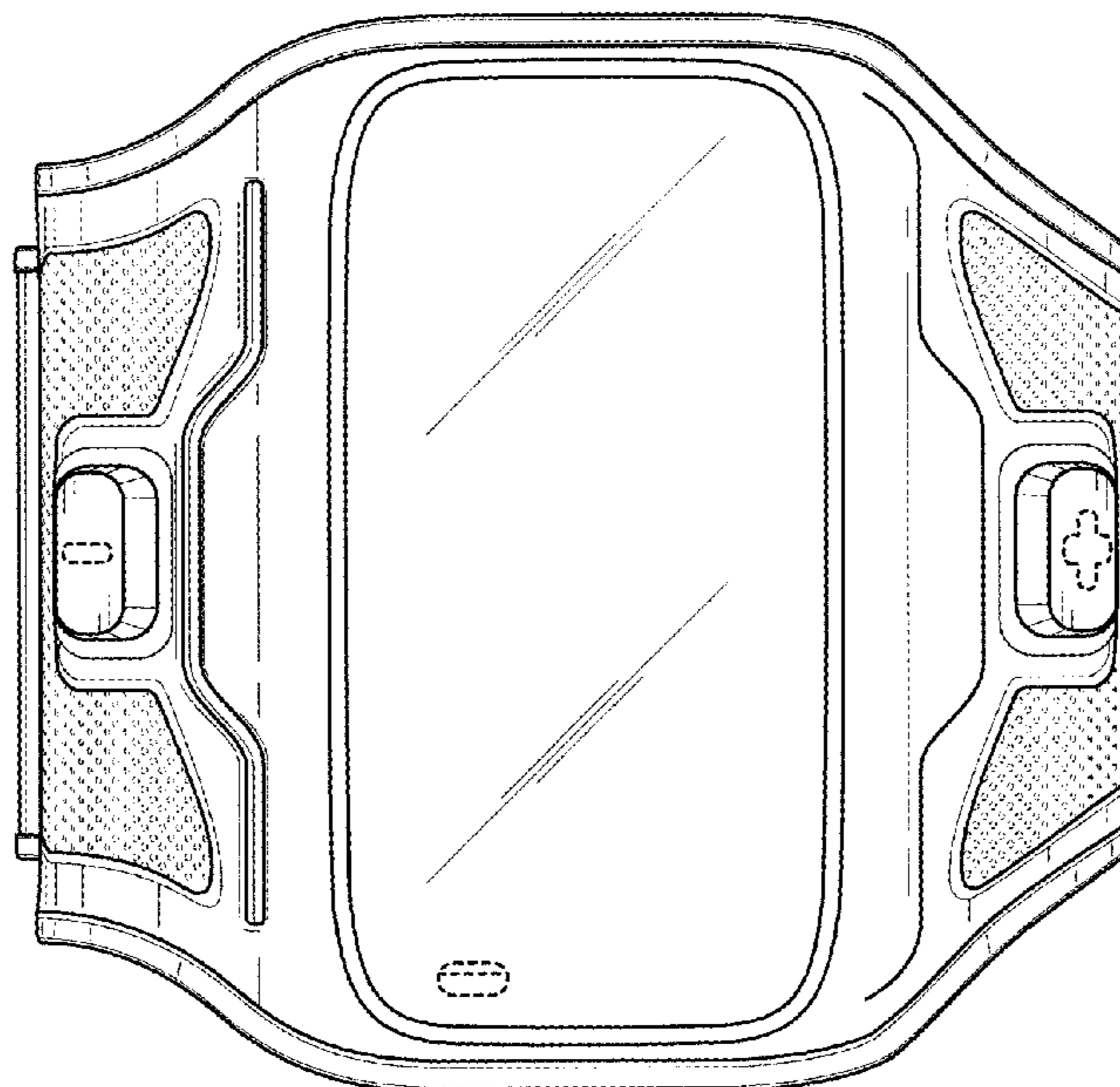
(57) **CLAIM**
We claim the ornamental design for an armband for mobile phone, as shown and described.

DESCRIPTION

FIG. 1 is a front view of the armband for mobile phone showing our new design;
 FIG. 2 is a rear view of the armband for mobile phone;
 FIG. 3 is a right side view of the armband for mobile phone;
 FIG. 4 is a left side view of the armband for mobile phone;
 FIG. 5 is a right perspective view of the armband for mobile phone;
 FIG. 6 is a left perspective view of the armband for mobile phone; and,
 FIG. 7 is a rear perspective view of the armband for mobile phone.
 The interior of the armband for mobile phone, as shown in FIGS. 2, 3, and 7 as unshaded surfaces and broken lines on the unshaded surfaces, forms no part of the claimed design. The broken lines on the armband for mobile phone that are immediately adjacent the shaded surfaces represent boundaries of the claimed design. All other broken lines throughout the drawing figures depict unclaimed environment. The broken lines form no part of the claimed design.

- (56) **References Cited**
U.S. PATENT DOCUMENTS
1,564,881 A * 12/1925 Montgomery A45F 5/00
224/170
D258,246 S * 2/1981 Kravchenko 224/222
D265,861 S * 8/1982 Walasek 224/222
4,432,477 A * 2/1984 Haidt A45F 5/00
224/222

1 Claim, 5 Drawing Sheets



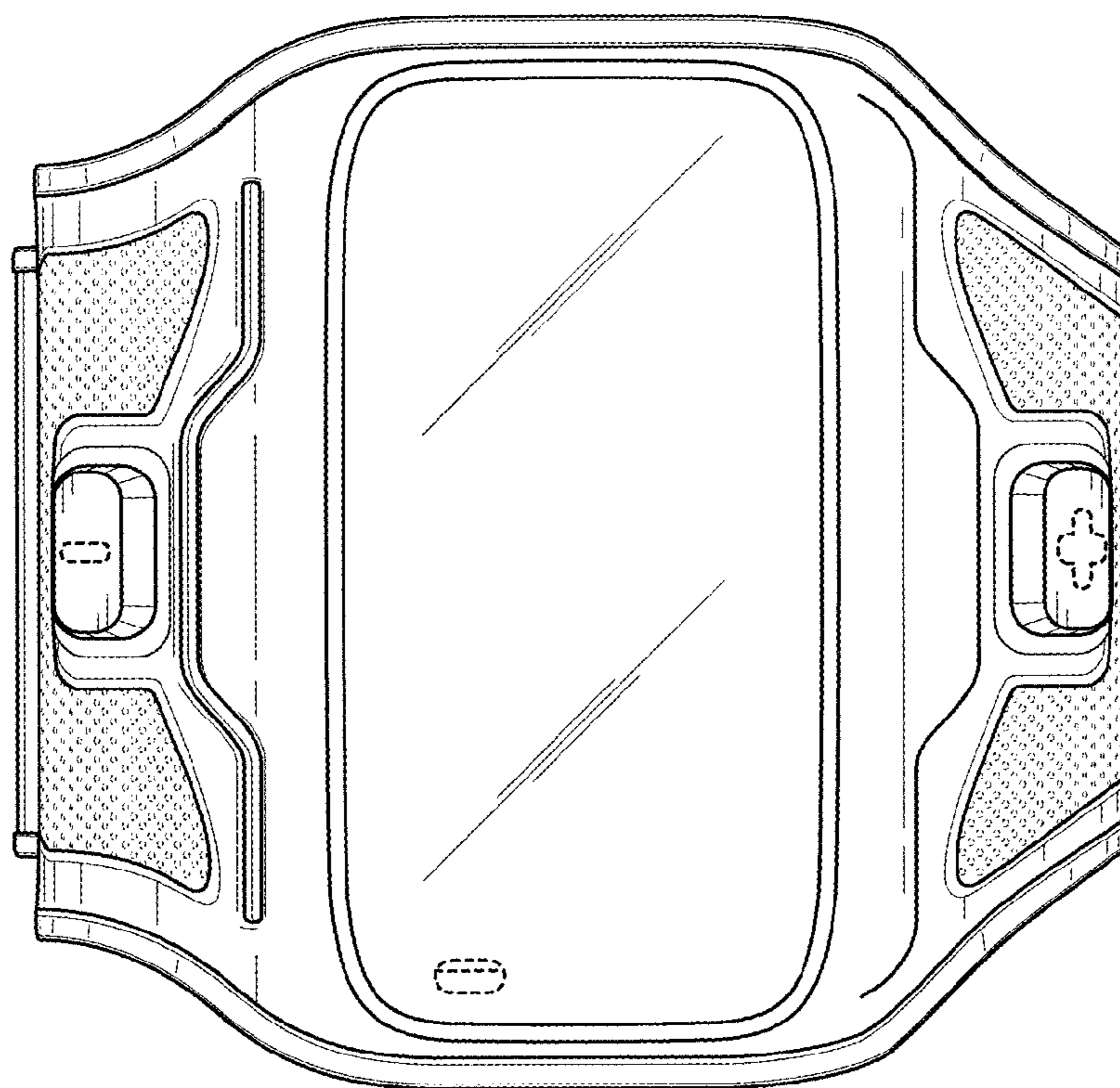


FIG. 1

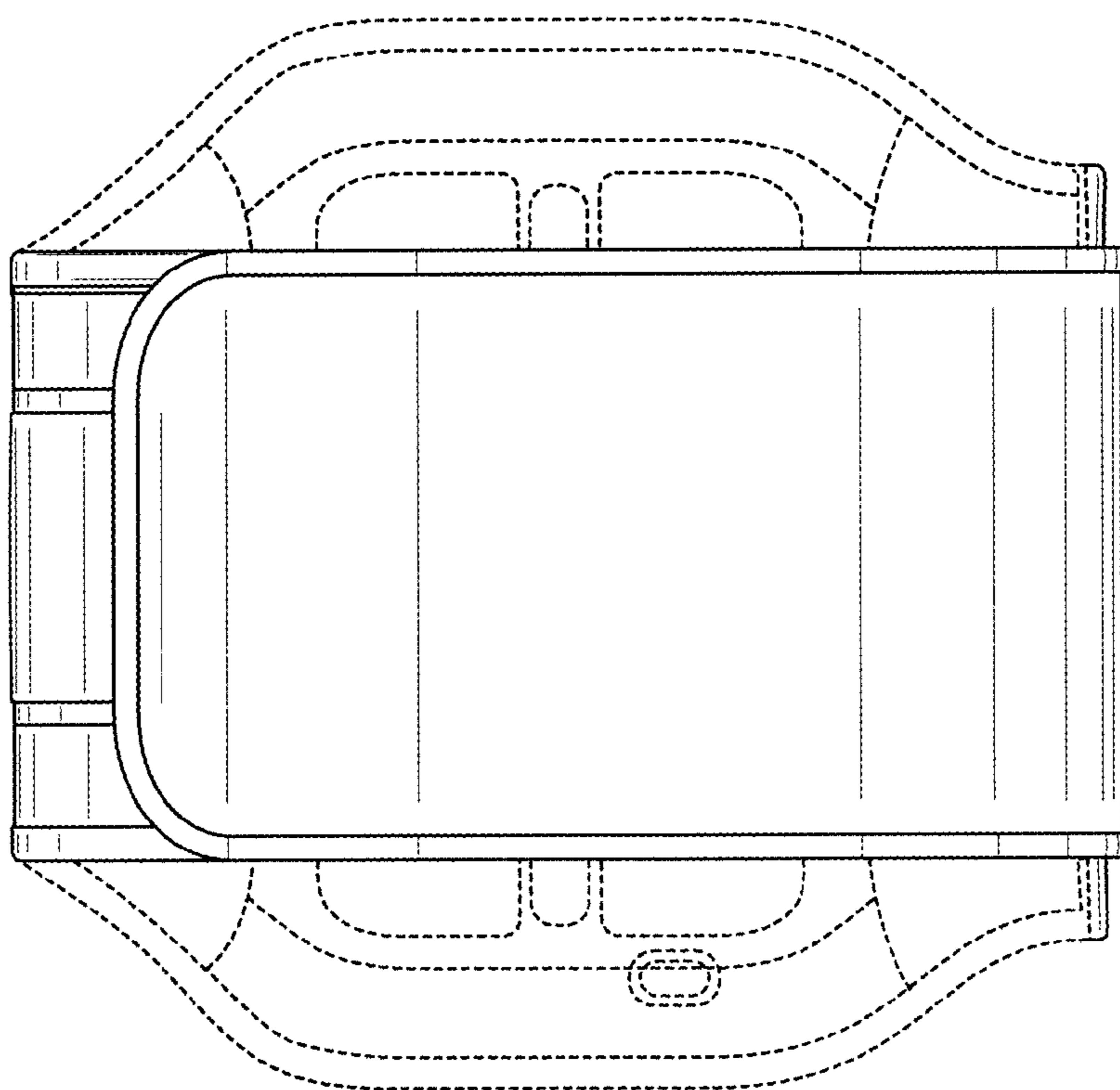


FIG. 2

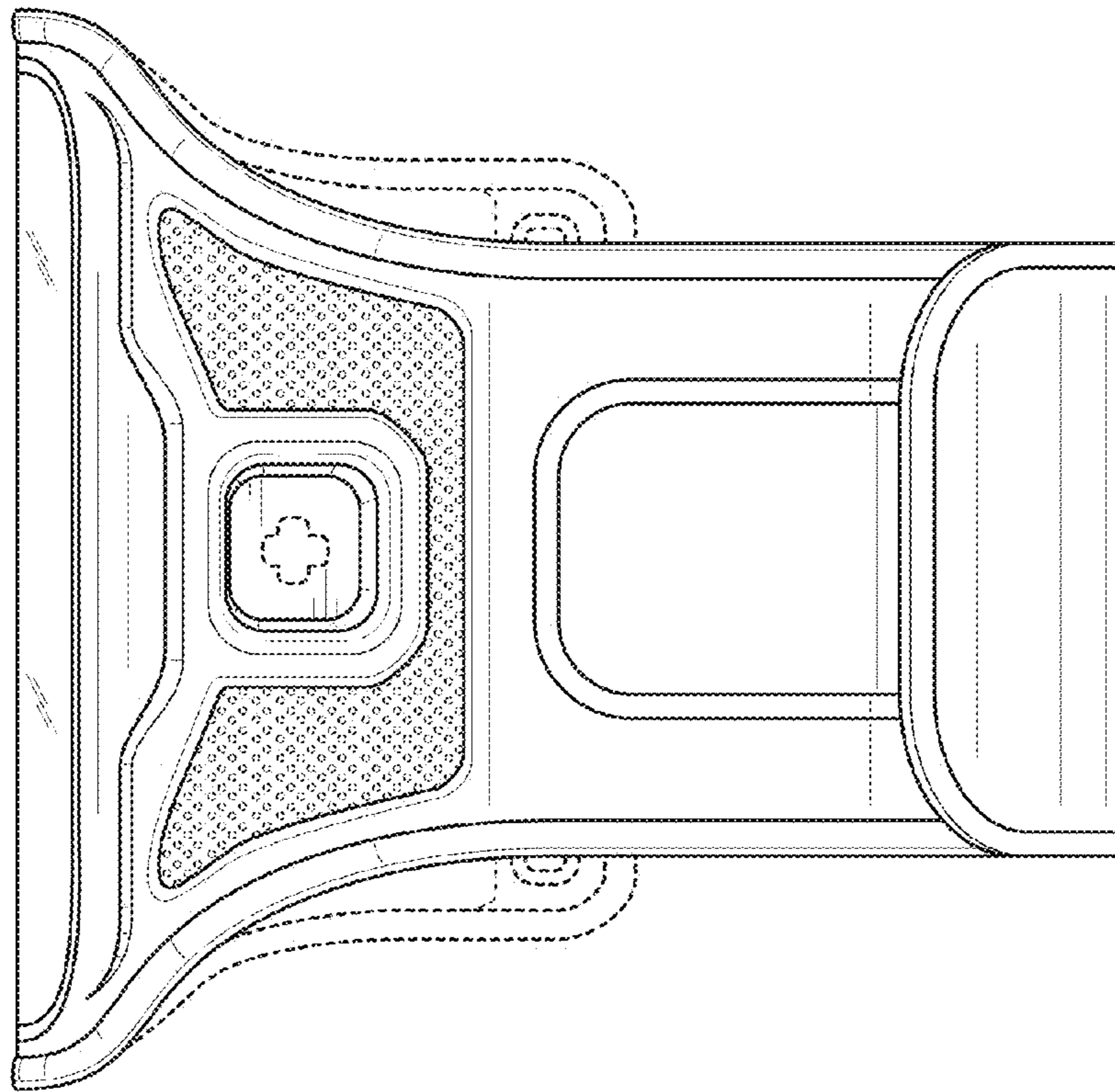


FIG. 3

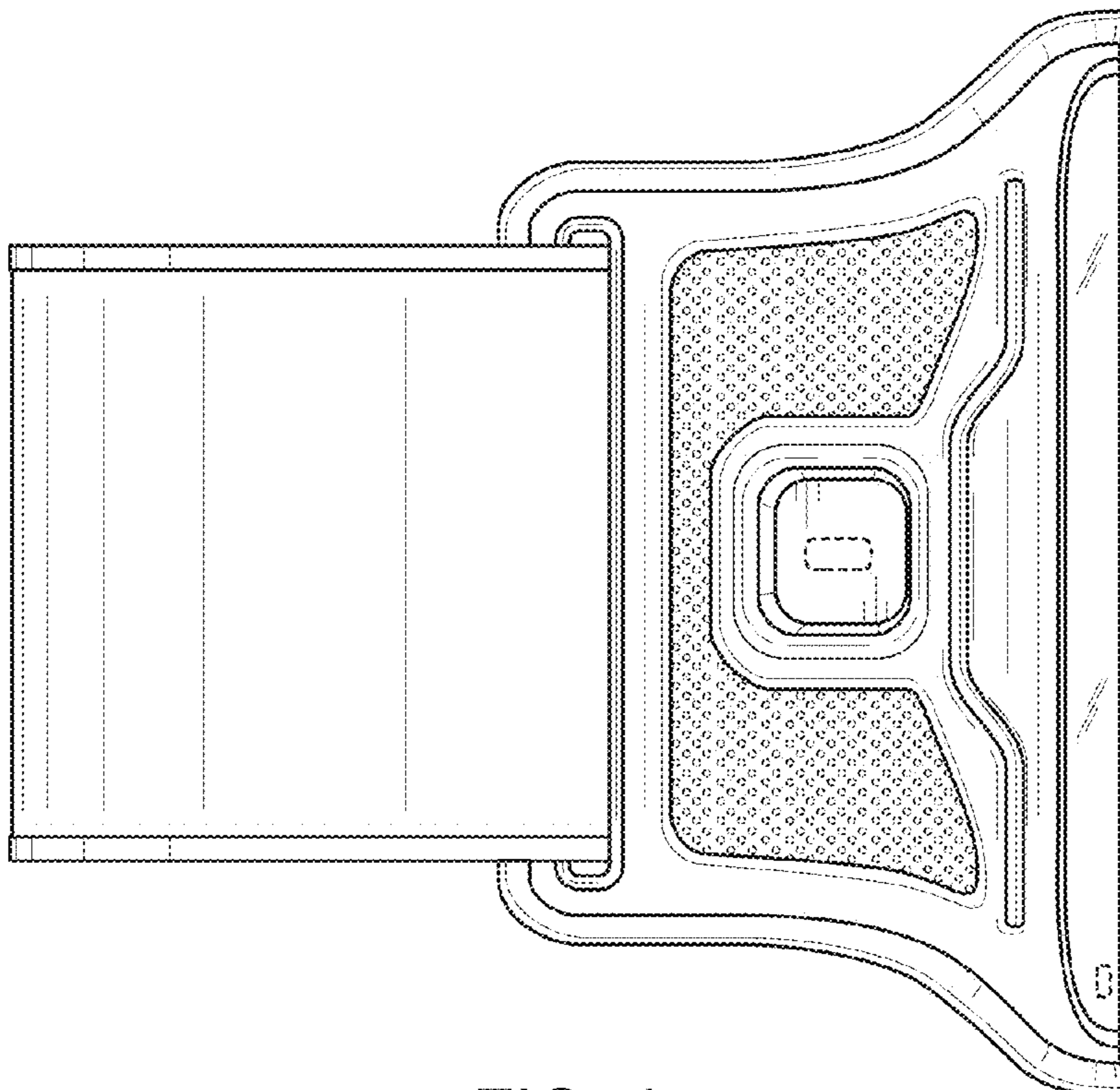


FIG. 4

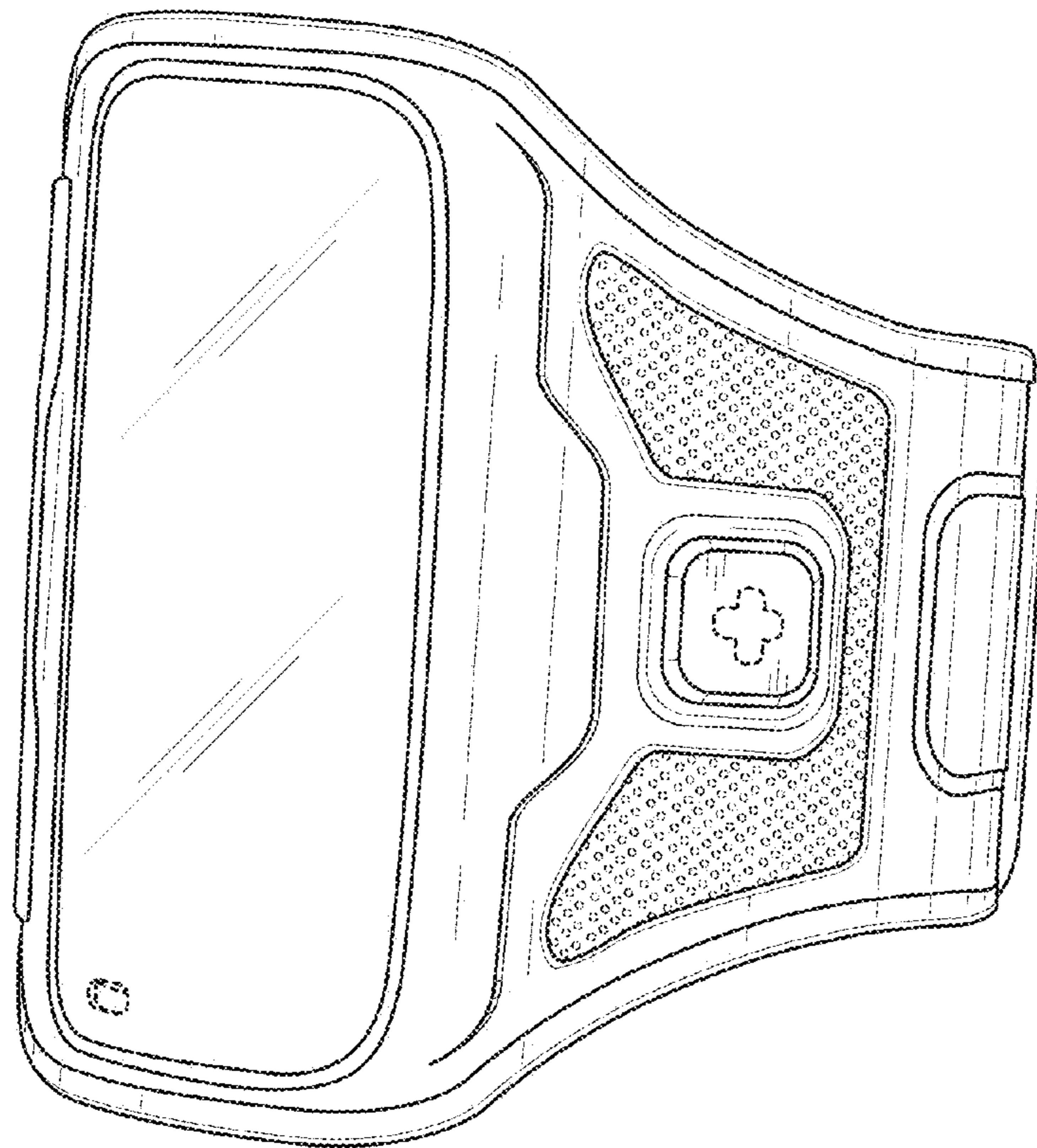


FIG. 5

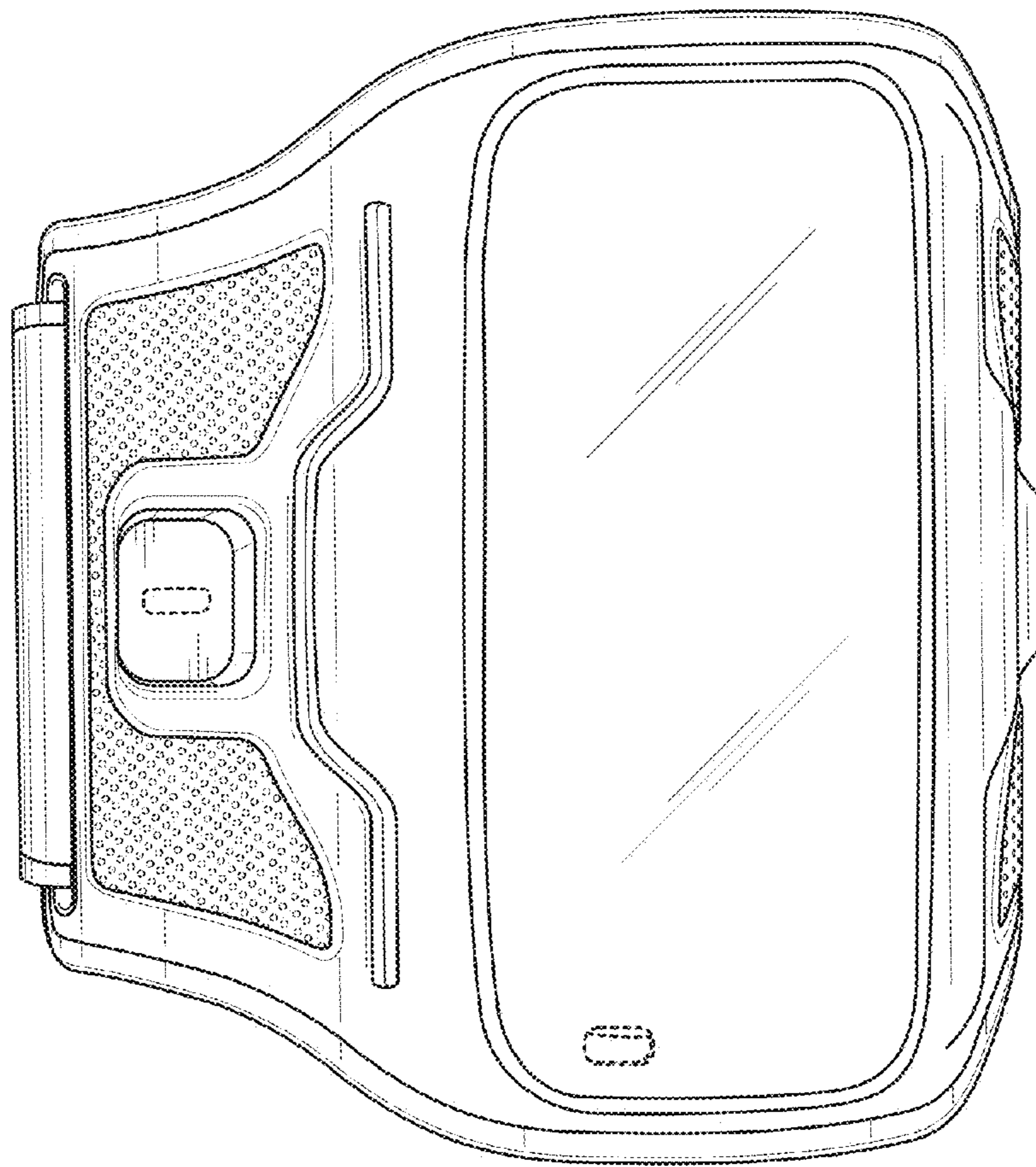


FIG. 6

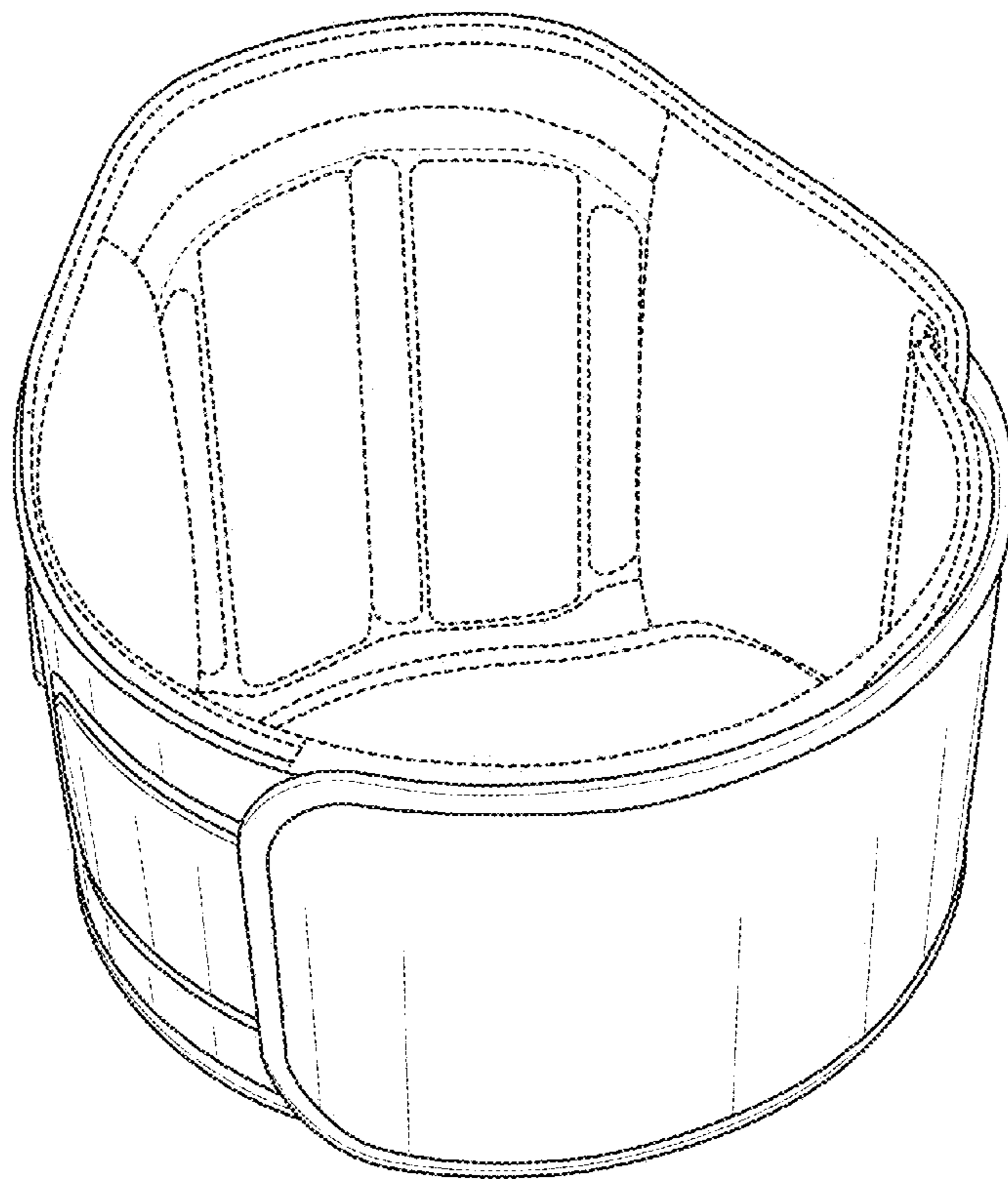


FIG. 7