

US00D753384S

(12) **United States Design Patent**
Akin et al.

(10) **Patent No.:** **US D753,384 S**
(45) **Date of Patent:** **** Apr. 12, 2016**

(54) **UMBRELLA CAP**

(56) **References Cited**

(71) Applicant: **ZON**, Manhattan Beach, CA (US)

U.S. PATENT DOCUMENTS

(72) Inventors: **Sarah Akin**, Manhattan Beach, CA (US); **David Johnson**, San Francisco, CA (US)

312,446 A *	2/1885	Drake	A45B 19/10
				135/25.3
8,393,340 B2 *	3/2013	Tung	A45B 17/00
				135/15.1
D700,772 S *	3/2014	Akin	D3/10
D703,940 S *	5/2014	Akin	D3/10
D704,428 S *	5/2014	Akin	D3/10

(73) Assignee: **ZON**, Manhattan Beach, CA (US)

* cited by examiner

(**) Term: **14 Years**

Primary Examiner — John Windmuller
(74) *Attorney, Agent, or Firm* — Aka Chan LLP

(21) Appl. No.: **29/467,411**

(57) **CLAIM**

(22) Filed: **Sep. 18, 2013**

The ornamental design for an umbrella cap, as shown and described.

DESCRIPTION

Related U.S. Application Data

(63) Continuation of application No. 29/461,657, filed on Jul. 26, 2013, now Pat. No. Des. 700,772.

FIG. 1 shows a perspective view of a design for an umbrella cap.

(51) **LOC (10) Cl.** **03-03**

(52) **U.S. Cl.**
USPC **D3/10**

FIG. 2 shows a first side view of FIG. 1.

FIG. 3 shows a second side view of FIG. 1.

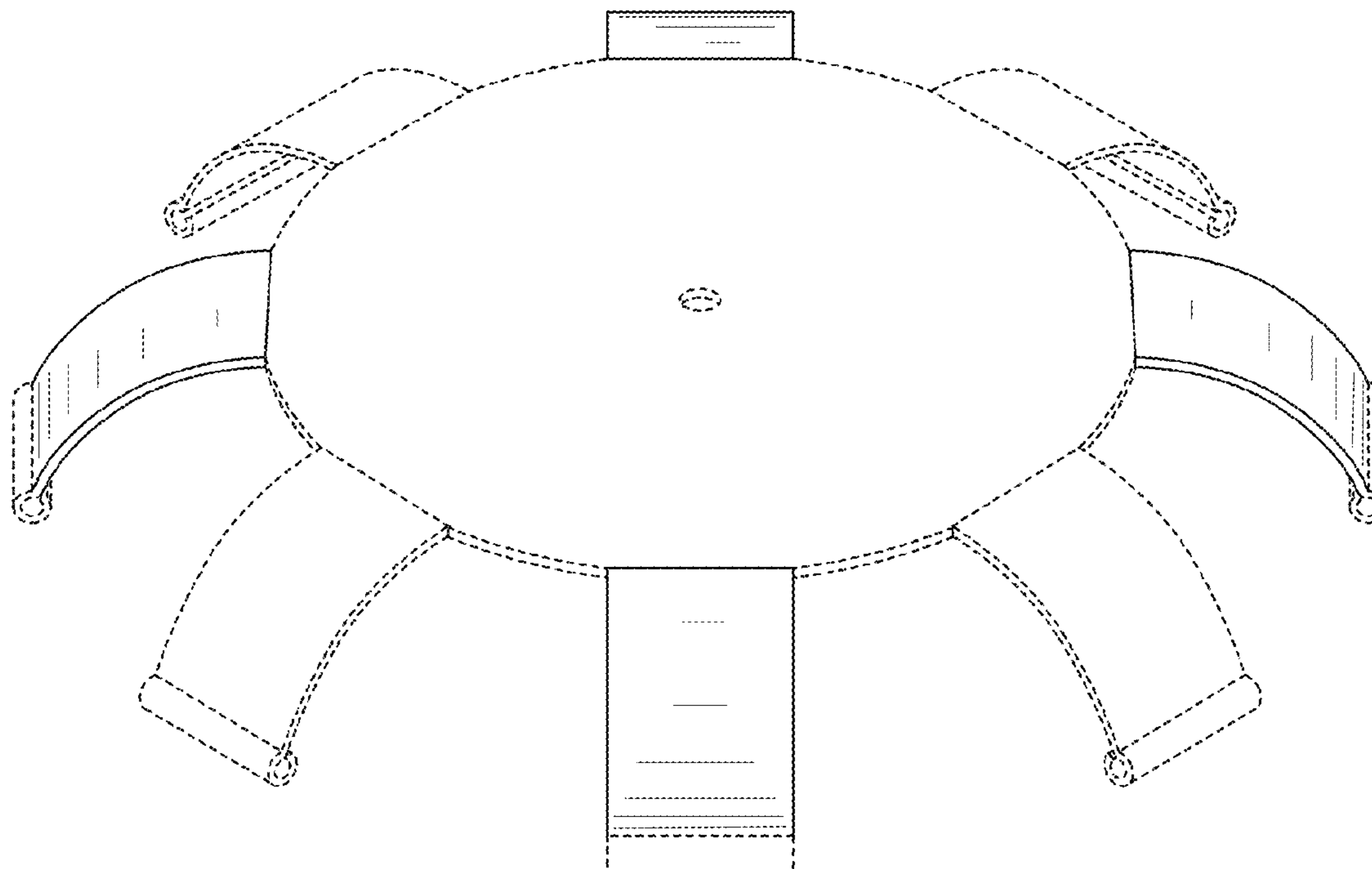
FIG. 4 shows a top view of FIG. 1; and,

FIG. 5 shows a perspective view of FIG. 1 in use in an umbrella.

(58) **Field of Classification Search**
USPC D3/5, 10; 135/15.1, 33.2, 20.1
See application file for complete search history.

The broken-line features in the figures are for illustrative purposes only and form no part of the claimed design. The umbrella in FIG. 5 is unclaimed environmental subject matter.

1 Claim, 5 Drawing Sheets



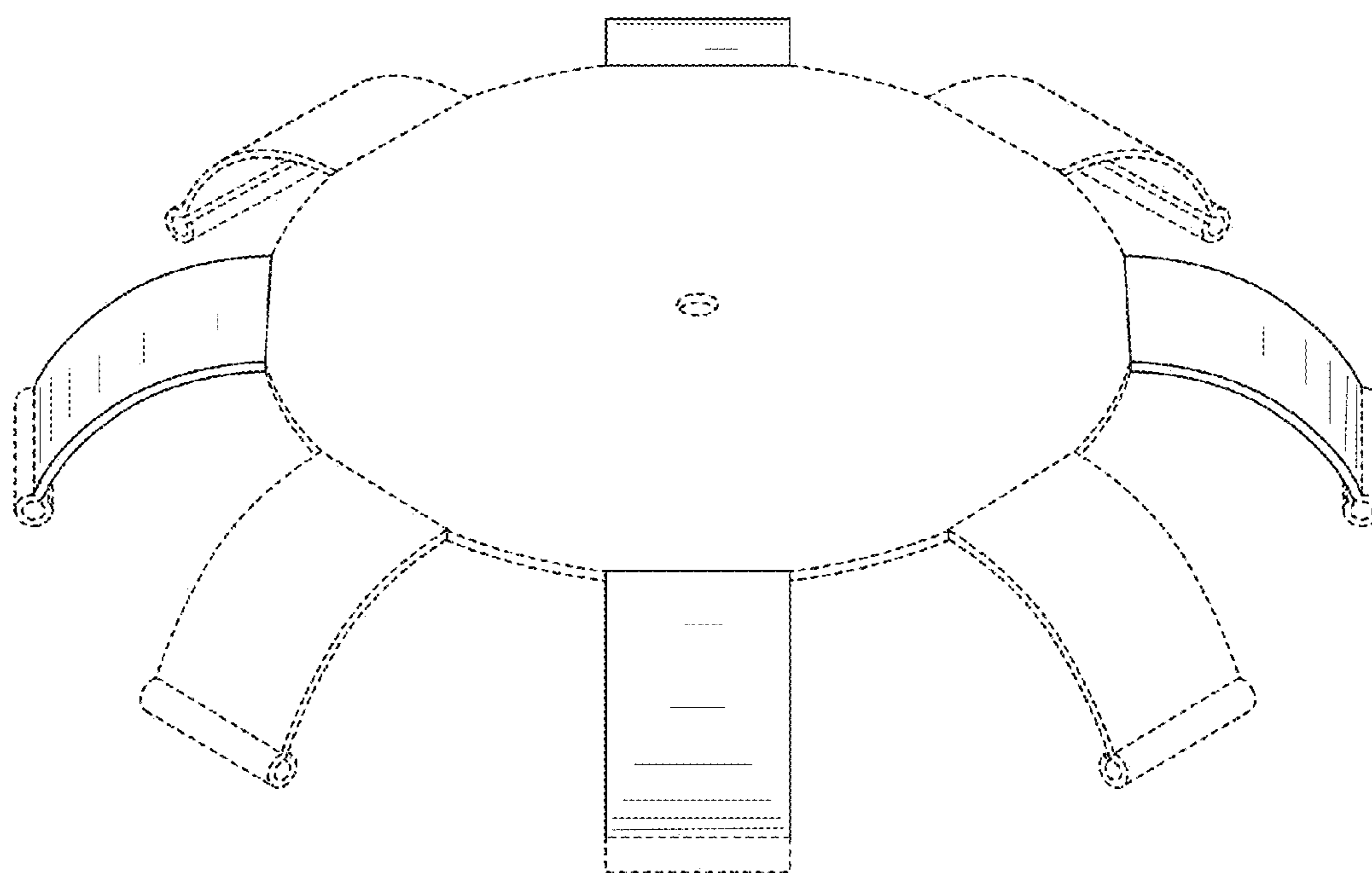


FIG. 1

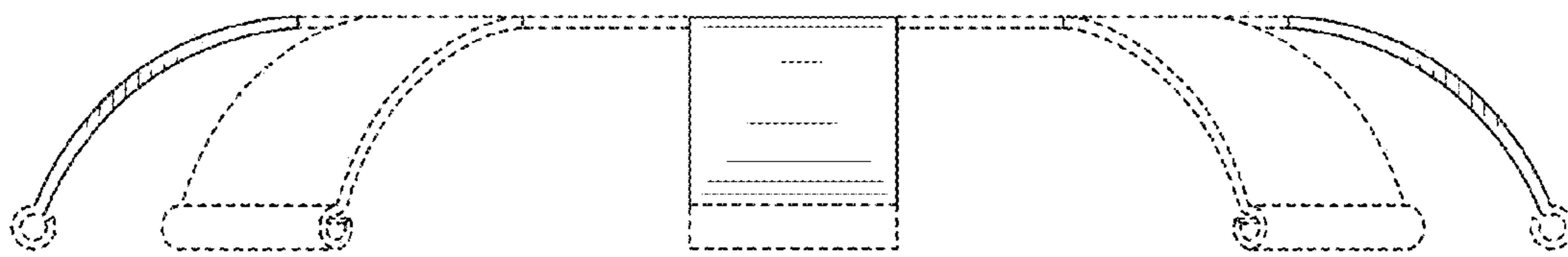


FIG. 2

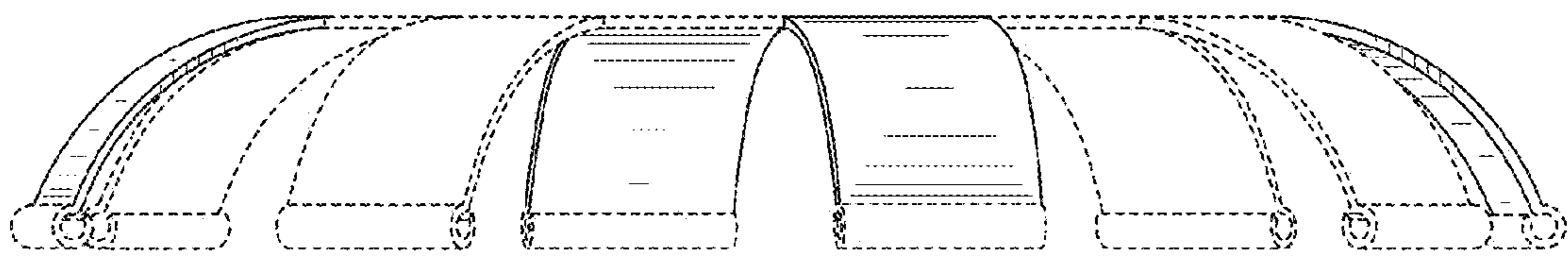


FIG. 3

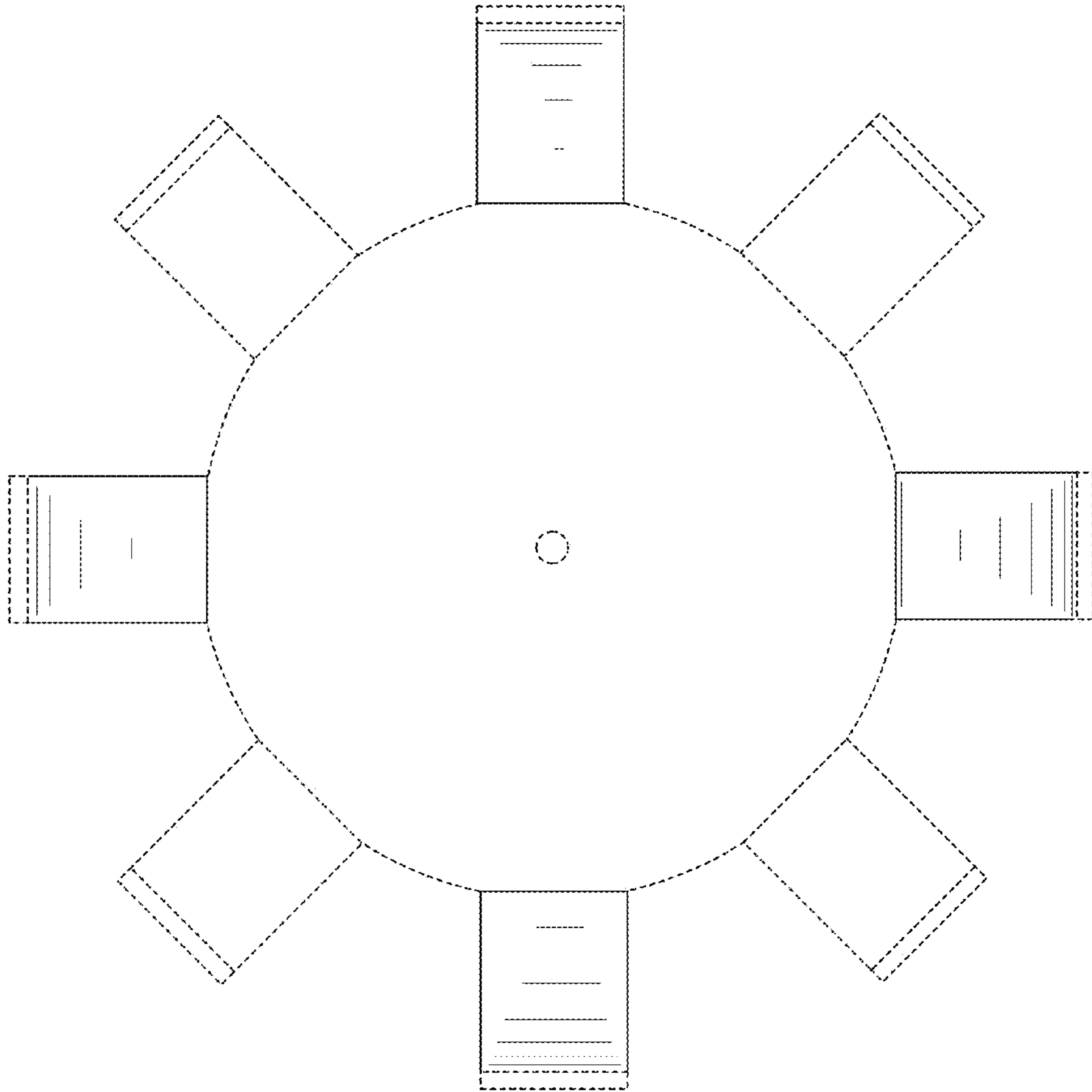


FIG. 4

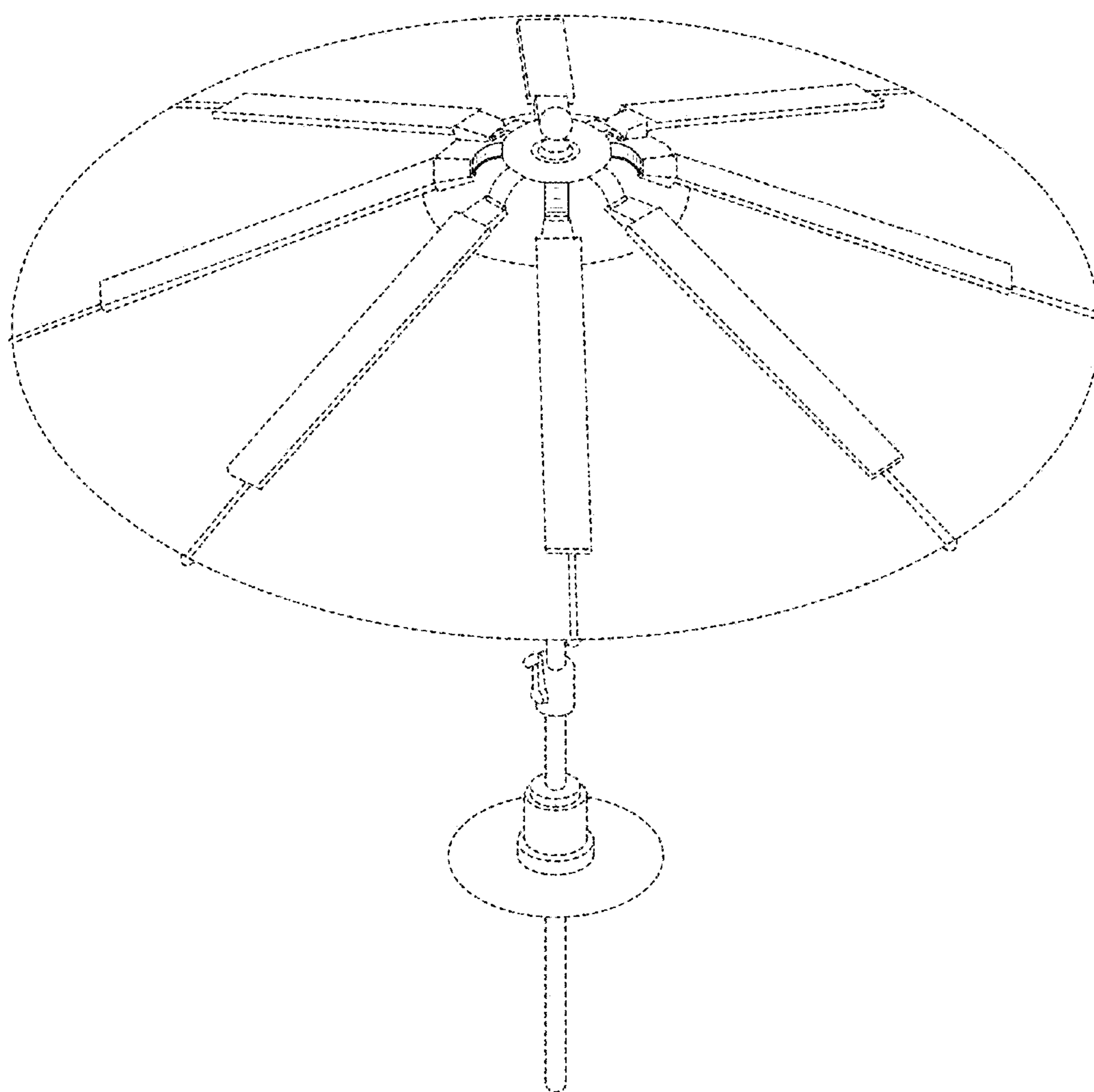


FIG. 5