



US00D753373S

(12) **United States Design Patent**
Esmer

(10) **Patent No.:** **US D753,373 S**

(45) **Date of Patent:** **** Apr. 12, 2016**

(54) **SLEEP CAP**

(71) Applicant: **The Blowout Saver, LLC**, Portland, OR (US)

(72) Inventor: **Samantha Esmer**, Portland, OR (US)

(**) Term: **14 Years**

(21) Appl. No.: **29/515,087**

(22) Filed: **Jan. 20, 2015**

(51) **LOC (10) Cl.** **02-03**

(52) **U.S. Cl.**
USPC **D2/880**

(58) **Field of Classification Search**

USPC D2/865, 867, 868, 870, 874, 877, 878,
D2/880, 881, 889, 891

CPC A41D 23/00; A42B 1/00; A42B 1/04;
A42B 1/041; A42B 1/12; A45D 2/46; A45D
8/00; A45D 8/40; A45D 19/14; A45D 19/18;
A45D 20/00; A45D 20/18; A45D 2019/0066

See application file for complete search history.

(56) **References Cited**

U.S. PATENT DOCUMENTS

1,499,911	A *	7/1924	Dalzell	A42B 1/041 2/174
RE18,081	E *	5/1931	Lipper	A42B 1/041 2/195.8
D104,586	S *	5/1937	Sheindelman	D2/877
D141,411	S *	5/1945	Neville	D2/865
D144,405	S *	4/1946	McCann	D2/865
2,420,358	A *	5/1947	Culligan	A45D 2/46 34/95.1
2,574,558	A *	11/1951	Grabner	A41G 5/0093 132/53
2,730,722	A *	1/1956	Colangelo	A41G 5/0093 2/202
3,213,466	A *	10/1965	Gettinger	A42B 1/041 2/171.01
3,335,502	A *	8/1967	Ritter	A45D 20/18 34/99
D277,139	S *	1/1985	DeFalco	D2/880
4,914,754	A *	4/1990	Ruth	A45D 19/18 2/171
D359,384	S *	6/1995	Dlugokeski	D2/865
D381,790	S *	8/1997	Harris	D2/865
D393,739	S *	4/1998	Dudson	D2/865

D482,843	S *	12/2003	Burnett	D2/500
6,735,783	B2 *	5/2004	Phillips	A42B 1/041 2/202
D547,030	S *	7/2007	Marquardt	D2/867
D621,139	S *	8/2010	Andreoni	D2/880
D627,955	S *	11/2010	Schrab	D2/881
D743,673	S *	11/2015	Yoo	D2/865
2007/0056079	A1 *	3/2007	Didier	A42B 1/041 2/171
2008/0229479	A1 *	9/2008	Butterly	A45D 19/18 2/174

(Continued)

OTHER PUBLICATIONS

“The Blowout Saver,” video published on-line on Feb. 18, 2015. Retrieved from the Internet on Nov. 24, 2015. URL: <https://www.youtube.com/watch?v=mZBYqiR4F5Q>. (1 page).*

“Purple Blowout Saver,” item available for sale on-line. Publication date unknown. Retrieved from the Internet on Nov. 24, 2015. URL: <http://www.theblowoutsaver.com/shop/purple-blowout-saver-2>. (2 pages).*

Science of Beauty, LLC, Stay on Satin, <http://www.stayonsatin.com/products.html>, 1 color page, published date unknown but prior to the filing of the present application.

Primary Examiner — Karen E. Eldridge Powers

Assistant Examiner — Jasmine Mlinarcik

(57) **CLAIM**

I claim the ornamental design for a sleep cap, as shown and described.

DESCRIPTION

FIG. 1 is an isometric view from the right, back side of a sleep cap, as worn on the head;

FIG. 2 is a top plan view thereof, wherein the sleep cap is not being worn;

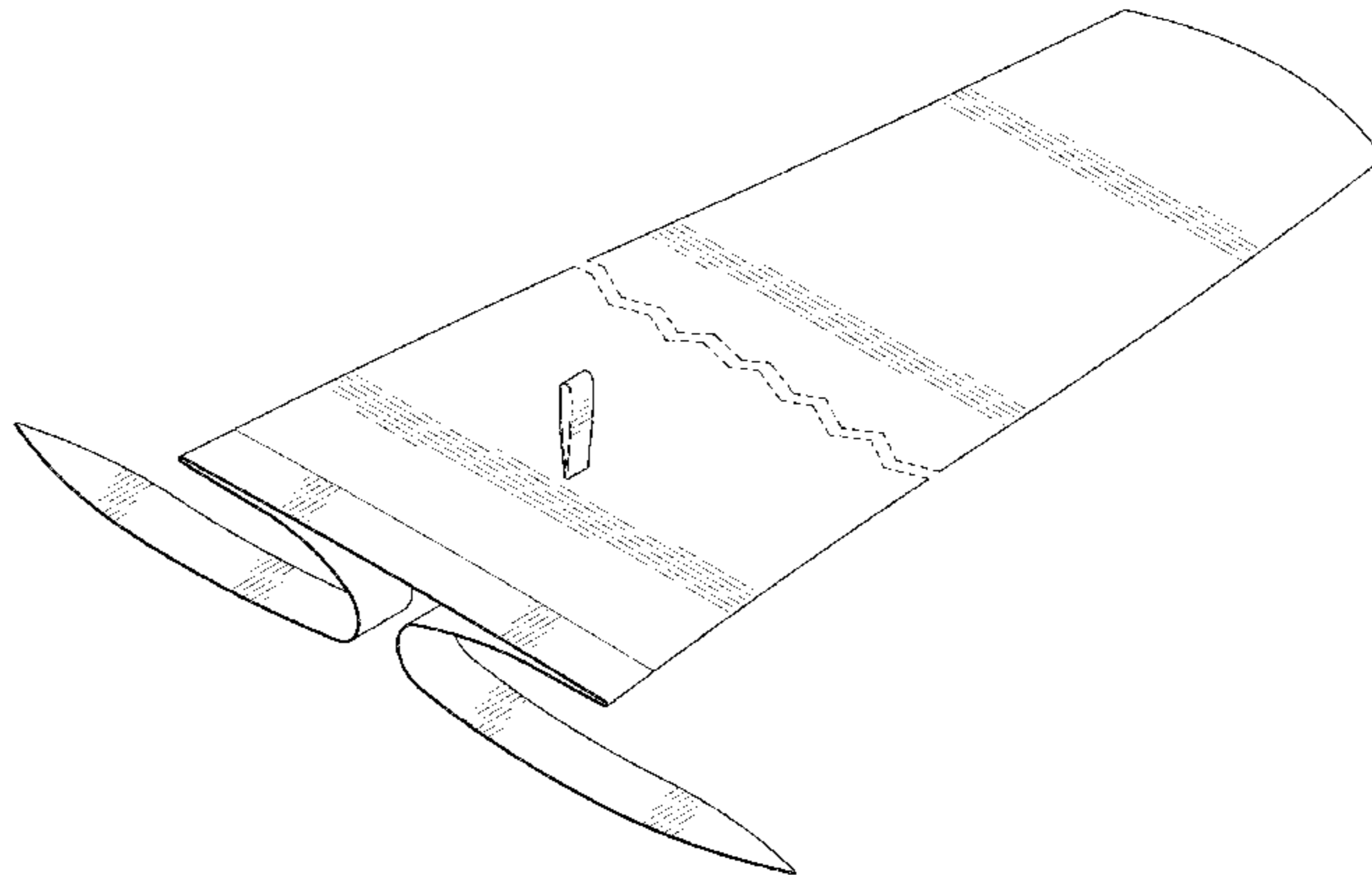
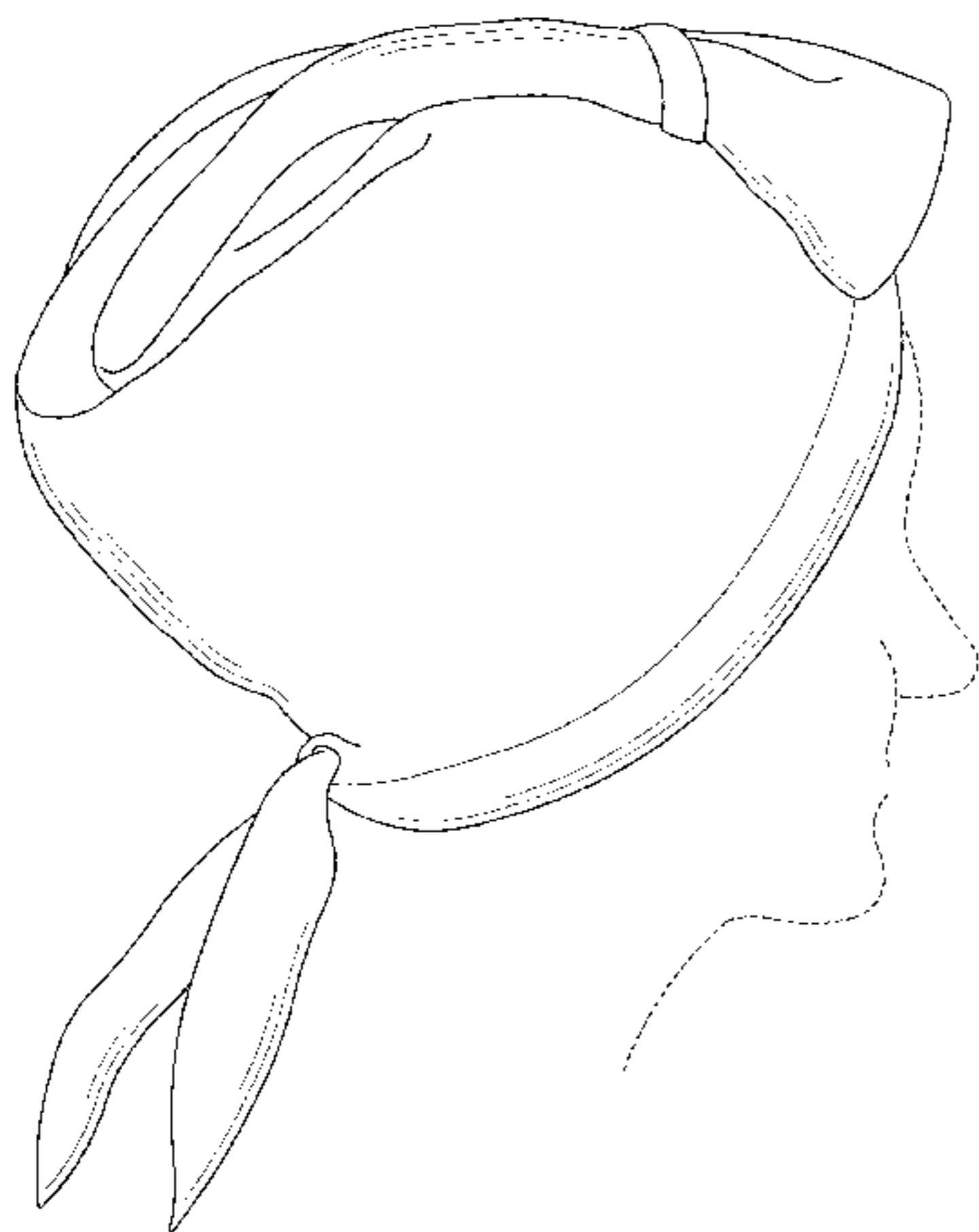
FIG. 3 is a bottom plan view thereof;

FIG. 4 is an isometric view from the left, top, front side thereof; and,

FIG. 5 is an isometric view from the right, bottom, front side thereof.

The partial human figure depicted by broken lines assists in showing how the claimed design may appear when worn and forms no part of the claimed design. The break lines indicate that any portion of the article beyond what is shown forms no part of the claimed design.

1 Claim, 5 Drawing Sheets



(56)

References Cited

2015/0335087 A1* 11/2015 Martin A45D 20/00
2/174

U.S. PATENT DOCUMENTS

2014/0366911 A1* 12/2014 Domizi A45D 19/18
132/270

* cited by examiner



FIG. 1

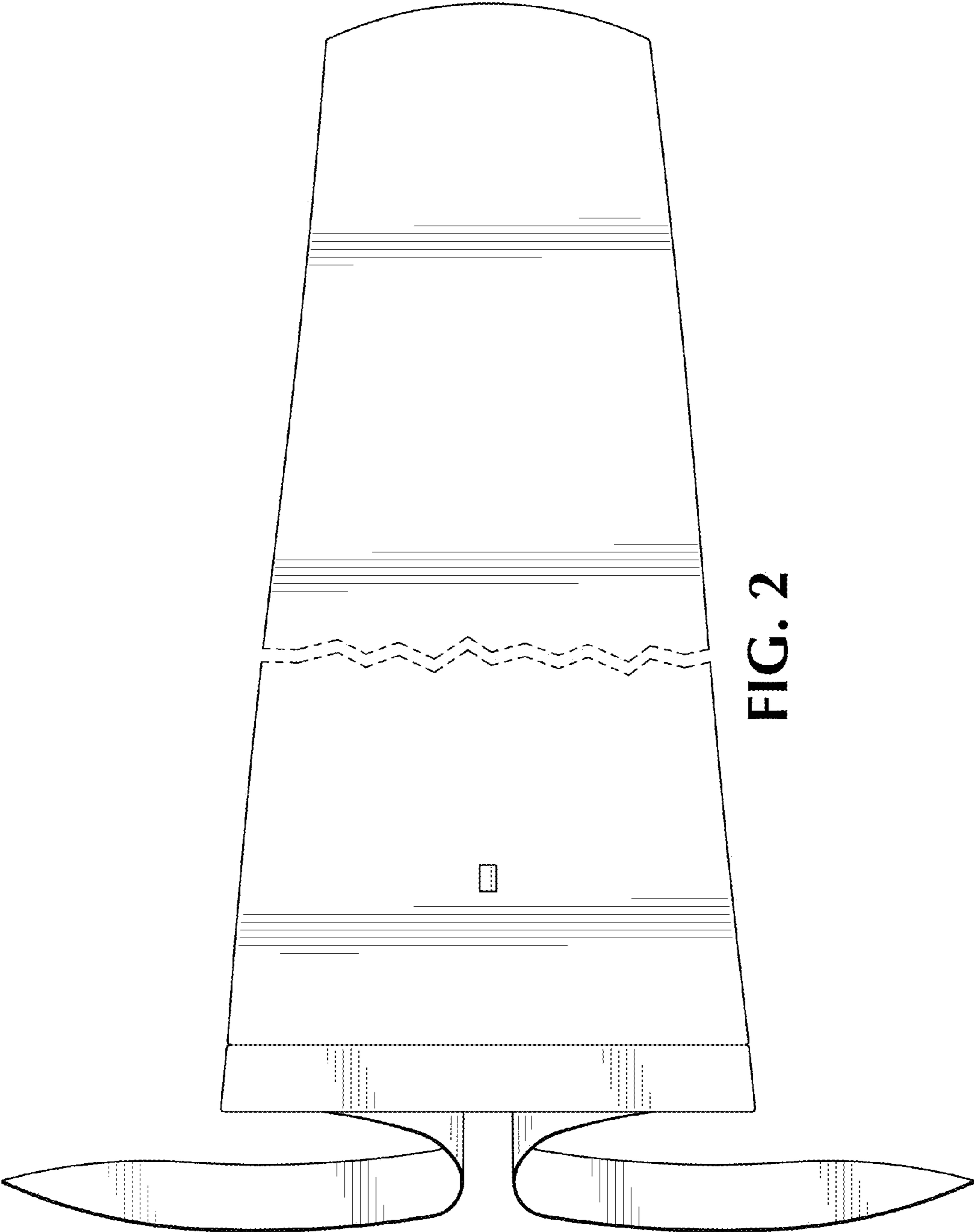


FIG. 2

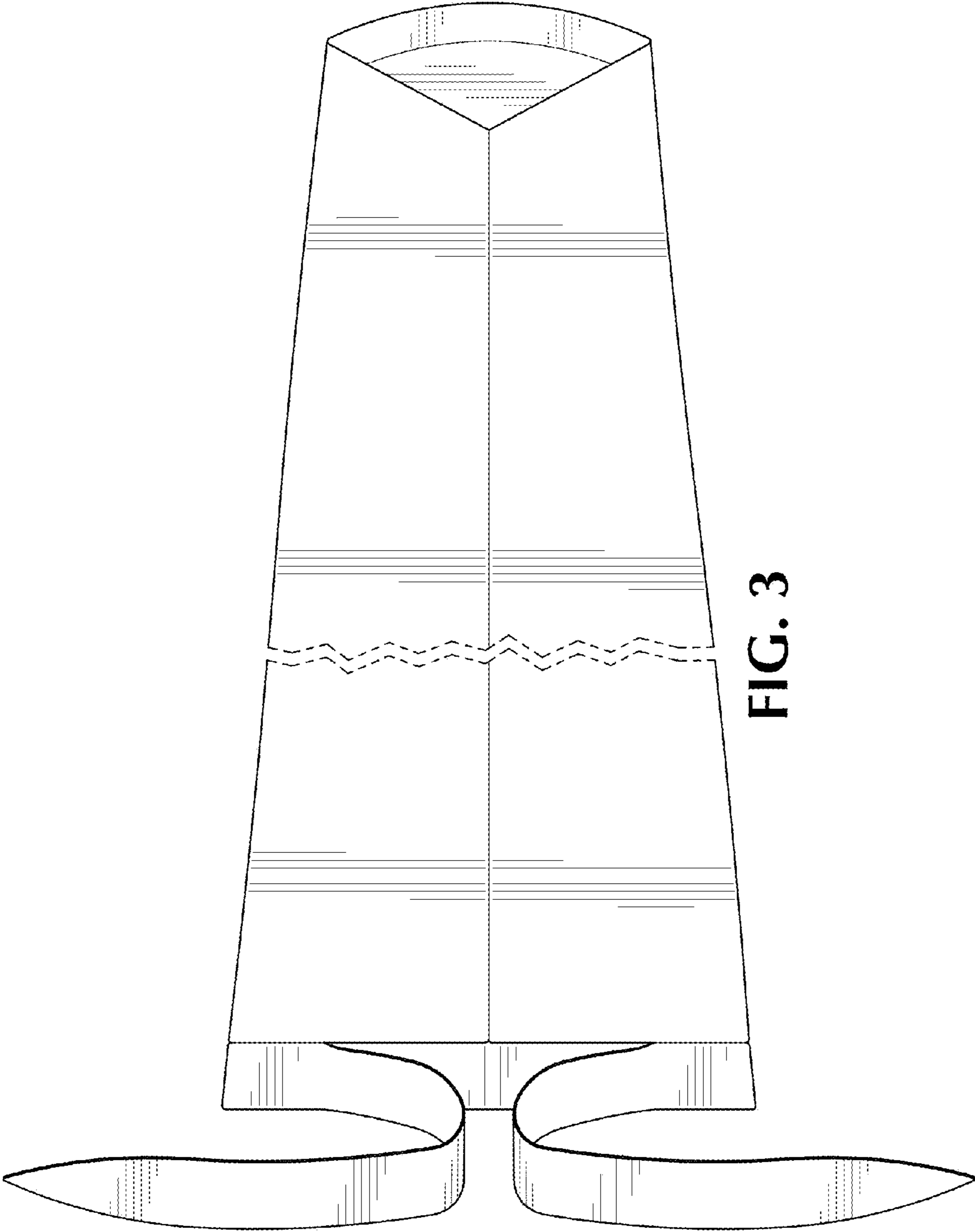


FIG. 3

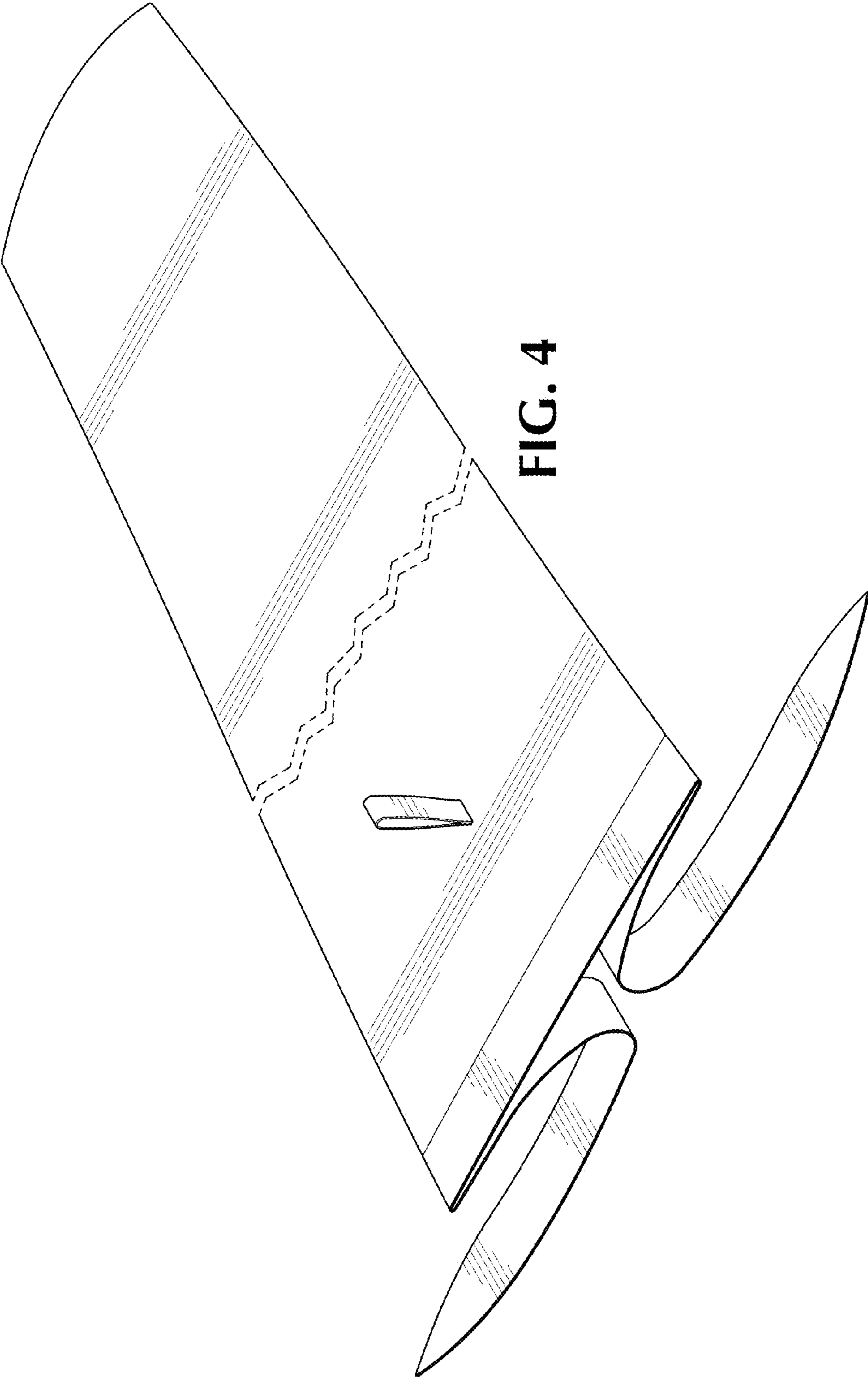


FIG. 4

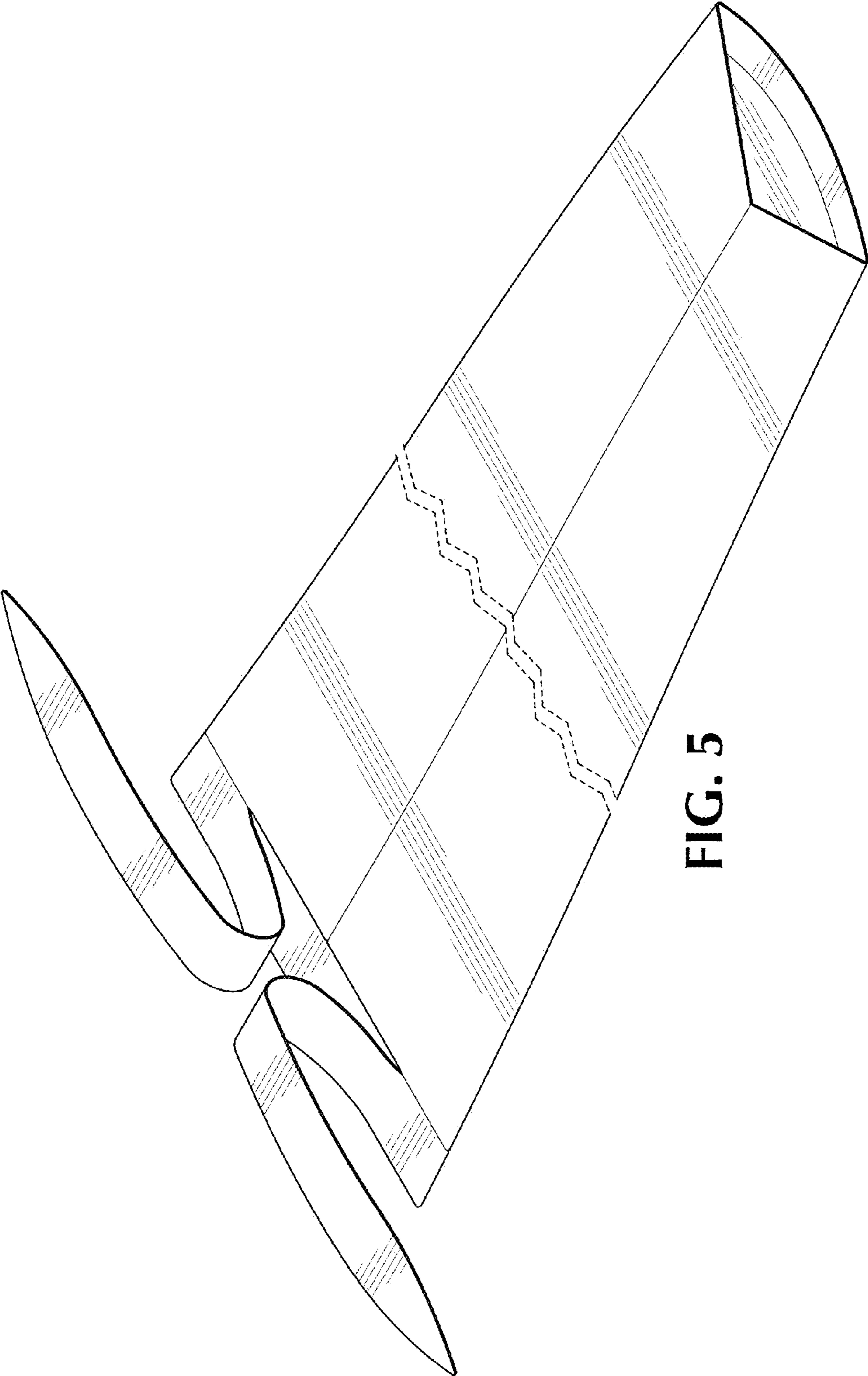


FIG. 5