



US00D753367S

(12) **United States Design Patent**  
**Longhurst**

(10) **Patent No.:** **US D753,367 S**  
(45) **Date of Patent:** **\*\* Apr. 12, 2016**

- (54) **PANTS ASSISTING DEVICE**
- (71) Applicant: **James E. Longhurst**, Havana, FL (US)
- (72) Inventor: **James E. Longhurst**, Havana, FL (US)
- (\*\*) Term: **14 Years**
- (21) Appl. No.: **29/487,723**
- (22) Filed: **Apr. 11, 2014**

5,975,384 A \* 11/1999 Manabat ..... A47G 25/485  
223/91  
6,006,365 A \* 12/1999 Strandberg ..... A41F 3/00  
2/227  
2010/0078450 A1\* 4/2010 Longhurst ..... A47G 25/90  
223/111

\* cited by examiner

*Primary Examiner* — Celia Murphy  
*Assistant Examiner* — Clare Ann Gannon  
(74) *Attorney, Agent, or Firm* — Nancy J. Flint, Esq.; Nancy J. Flint, Attorney at Law, P.A.

**Related U.S. Application Data**

- (63) Continuation-in-part of application No. 12/286,172, filed on Sep. 29, 2008, now abandoned.
- (51) **LOC (10) Cl.** ..... **07-99**
- (52) **U.S. Cl.**  
USPC ..... **D2/641**
- (58) **Field of Classification Search**  
USPC ..... D2/624–627, 631, 639–641, 999;  
D3/226, 227, 230; D11/221  
CPC ..... A41F 1/02; A41F 11/02; A41F 11/16;  
A41F 15/00; A41F 3/02; A41F 9/00; A41F  
9/002; A44B 19/262; A45F 2003/006; B42F  
1/01; B60R 2022/006  
See application file for complete search history.

(57) **CLAIM**  
The ornamental design for a pants assisting device, as shown and described.

**DESCRIPTION**

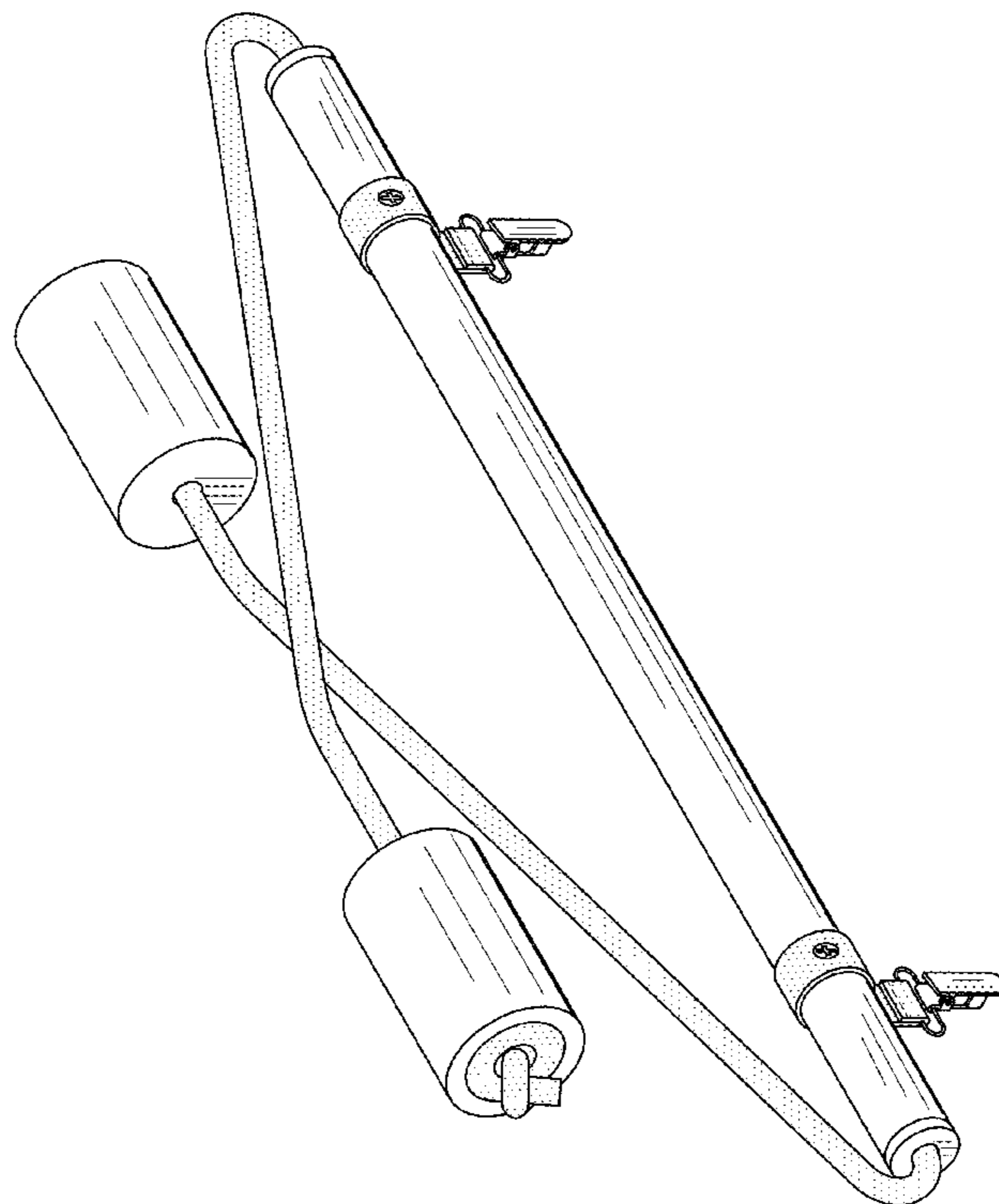
FIG. 1 is a front perspective view of a pants assisting device showing my new design;  
FIG. 2 is a front view of a pants assisting device;  
FIG. 3 is a back view of a pants assisting device;  
FIG. 4 is a bottom view of a pants assisting device;  
FIG. 5 is a top view of a pants assisting device;  
FIG. 6 is a right side view of a pants assisting device; and,  
FIG. 7 is a perspective view of a pants assisting shown in a position of use with unclaimed subject matter in broken lines. Left side views not shown are mirror images of right side views. The broken lines illustrating a pair of pants depict environmental subject matter that forms no part of the claimed design.

(56) **References Cited**

**U.S. PATENT DOCUMENTS**

- 867,814 A \* 10/1907 Fornander ..... A42B 7/00  
132/57.1
- D371,231 S \* 7/1996 Traber ..... D2/642

**1 Claim, 4 Drawing Sheets**



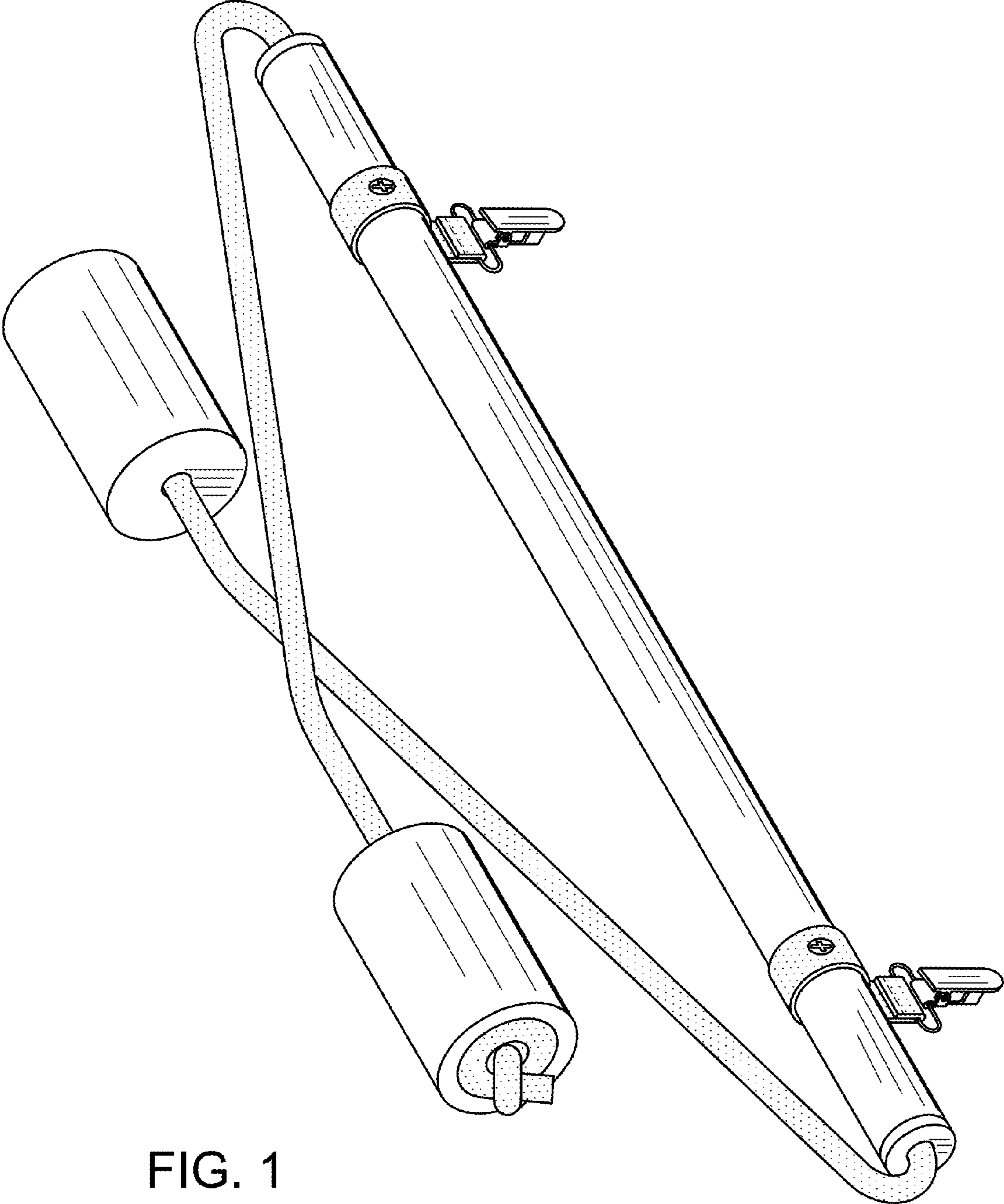


FIG. 1

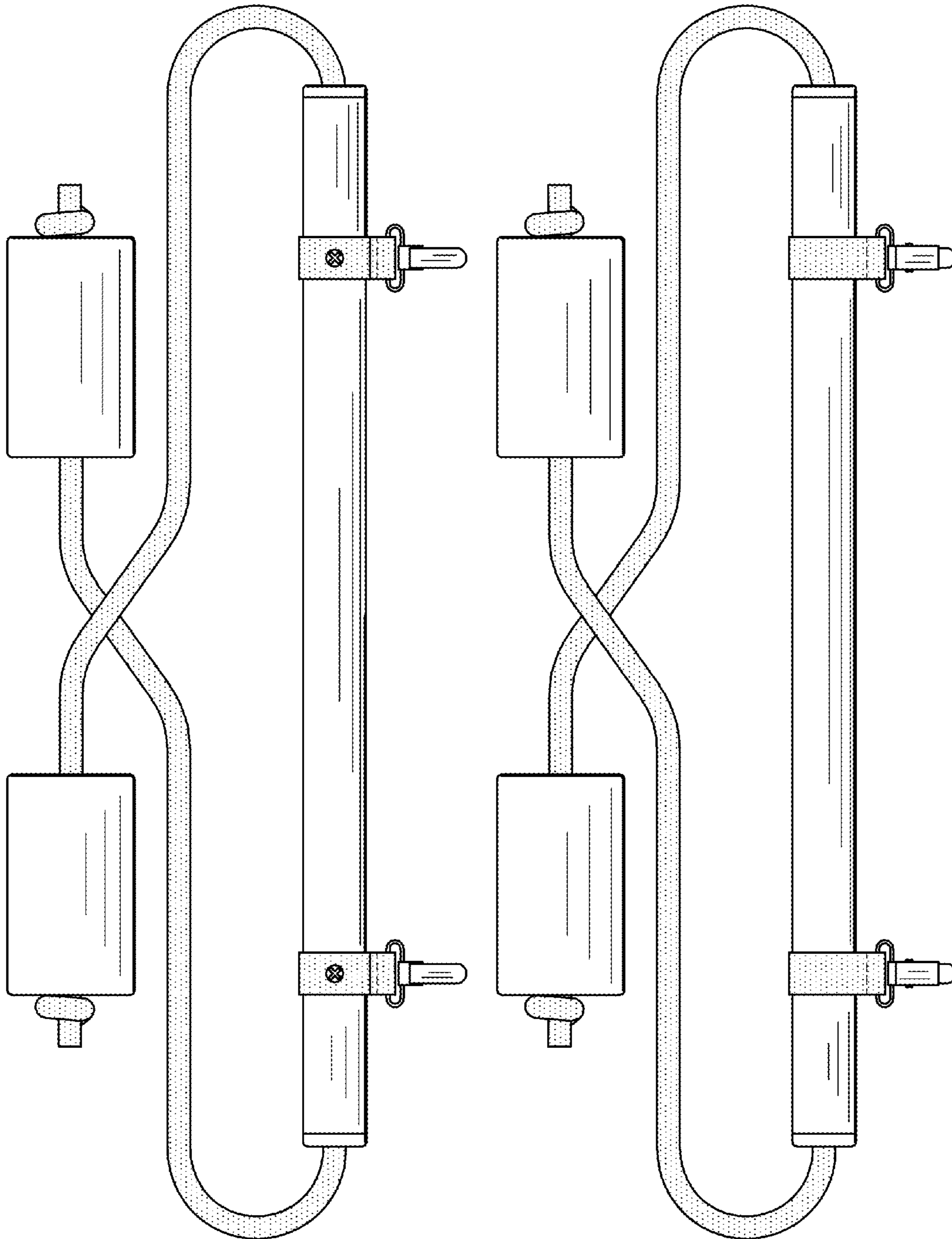


FIG. 2

FIG. 3

