



US00D753366S

(12) **United States Design Patent**  
**Flageul**

(10) **Patent No.:** **US D753,366 S**  
(45) **Date of Patent:** **\*\* Apr. 12, 2016**

(54) **ZIPPER PULL**

(71) Applicant: **L.K. Bennett**, London (GB)

(72) Inventor: **Yannick Flageul**, Paris (FR)

(\*\*) Term: **14 Years**

(21) Appl. No.: **29/513,908**

(22) Filed: **Jan. 6, 2015**

(30) **Foreign Application Priority Data**

Jul. 8, 2014 (EM) ..... 002498881-0001

(51) **LOC (10) CL.** ..... **02-07**

(52) **U.S. Cl.**  
USPC ..... **D2/624**; D11/221

(58) **Field of Classification Search**  
USPC ..... D2/624-627, 631, 639-641, 999;  
D3/226, 227, 230; D11/221  
CPC ..... A41F 1/02; A41F 11/02; A41F 11/16;  
A41F 15/00; A41F 3/02; A41F 9/00; A41F  
9/002; A44B 19/262; A45F 2003/006; B42F  
1/01; B60R 2022/006  
See application file for complete search history.

(56) **References Cited**

**U.S. PATENT DOCUMENTS**

720,843 A \* 2/1903 Peters ..... A41F 3/02  
24/371  
2,270,984 A \* 1/1942 Winterhalter ..... A44B 19/262  
24/419  
3,408,700 A \* 11/1968 Chase ..... B42F 1/08  
24/67.3  
4,286,358 A \* 9/1981 Levin ..... B42F 1/02  
24/67 R  
D304,702 S \* 11/1989 Asahi ..... D11/221

D313,953 S \* 1/1991 Minami ..... D11/221  
5,068,950 A \* 12/1991 Yuki ..... A44B 19/262  
24/419  
5,170,535 A \* 12/1992 Strong ..... B42F 1/08  
24/547  
6,035,497 A \* 3/2000 Jackson ..... A44B 19/262  
24/3.4  
D437,805 S \* 2/2001 Yoneoka ..... D11/221  
D467,522 S \* 12/2002 Szyf ..... D11/221  
D559,150 S \* 1/2008 Ohgaku ..... D11/221  
D643,779 S \* 8/2011 Di Girolami ..... D11/221

\* cited by examiner

*Primary Examiner* — Celia Murphy

*Assistant Examiner* — Clare Ann Gannon

(74) *Attorney, Agent, or Firm* — Seed IP Law Group PLLC

(57) **CLAIM**

The ornamental design for a zipper pull, as shown and described.

**DESCRIPTION**

FIG. 1 is an isometric view of a zipper pull showing my new design from one viewpoint.

FIG. 2 is an isometric view thereof from another viewpoint.

FIG. 3 is a front elevational view thereof.

FIG. 4 is a rear elevational view thereof.

FIG. 5 is a right side elevational view thereof.

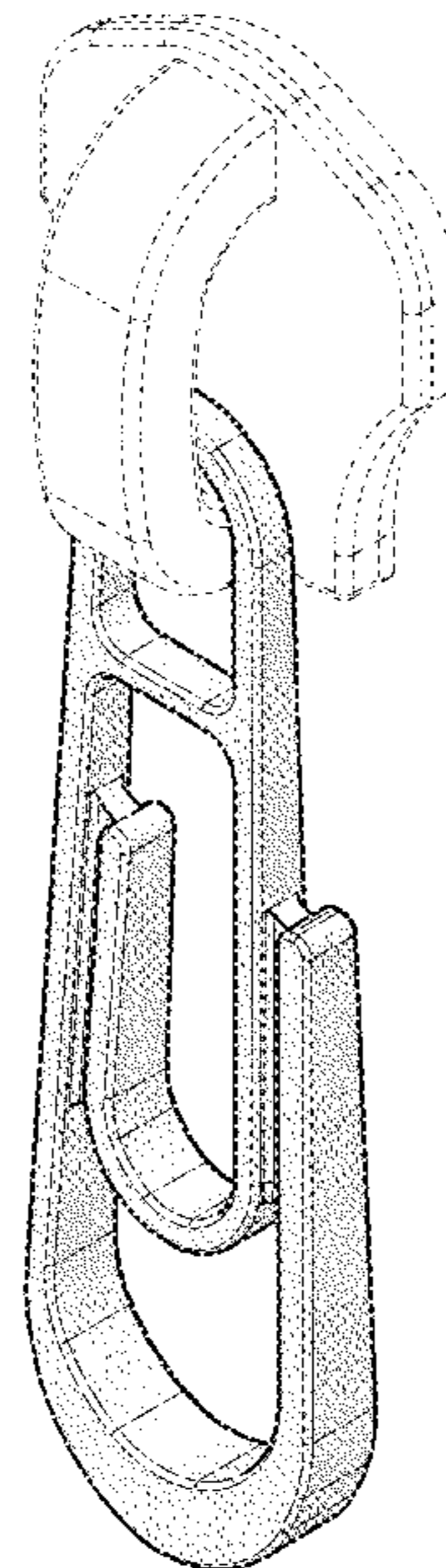
FIG. 6 is a left side elevational view thereof.

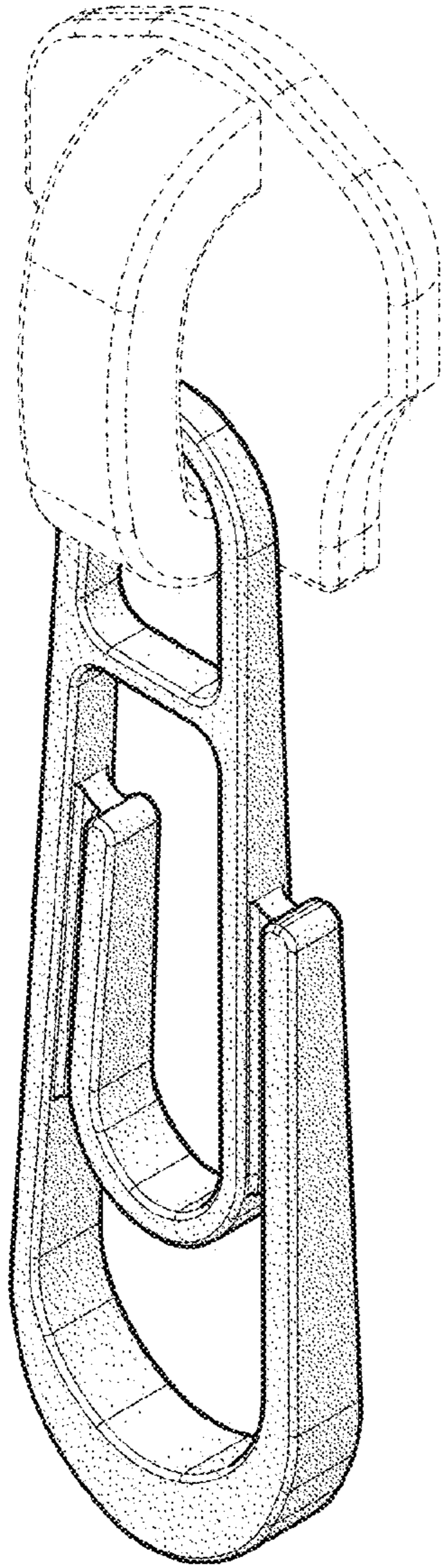
FIG. 7 is a top plan view thereof; and,

FIG. 8 is a bottom plan view thereof.

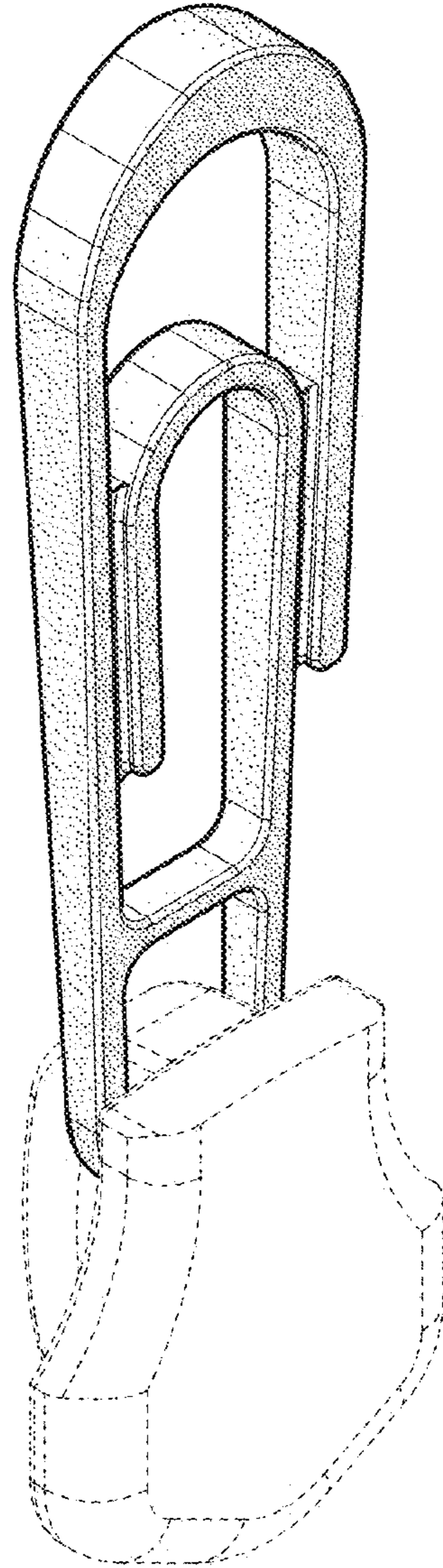
Stippling and contour lines shown in the drawings are intended to represent the approximate three-dimensional contours of the design, and are not intended to indicate surface decoration. The broken lines illustrating the top board of the slider form no part of the claimed design.

**1 Claim, 4 Drawing Sheets**

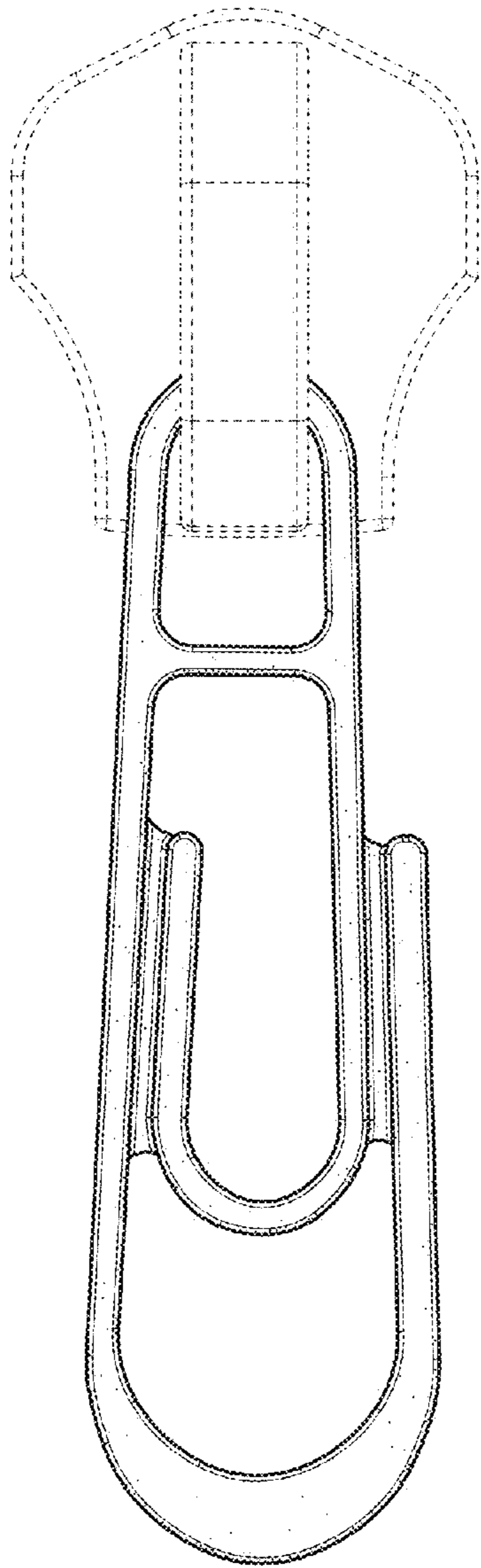




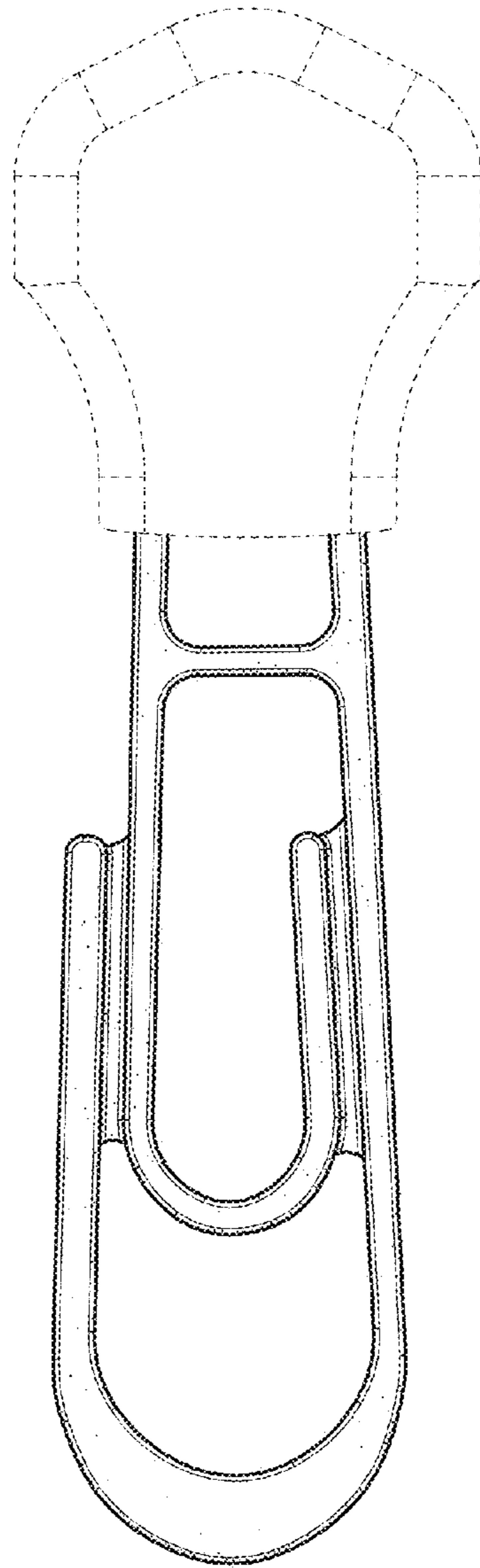
**FIG. 1**



**FIG. 2**

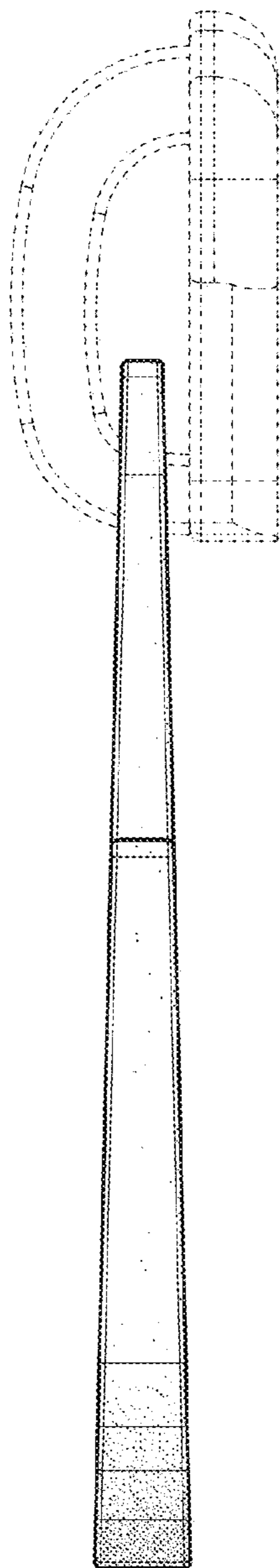


**FIG. 3**

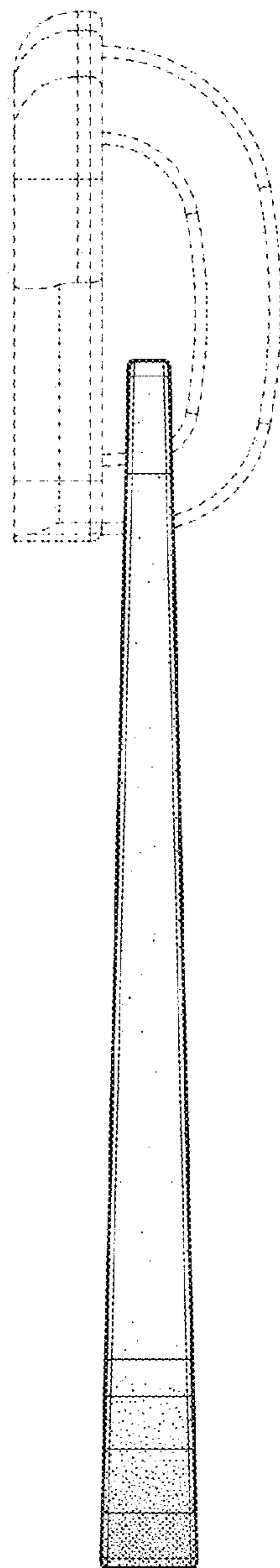


**FIG. 4**

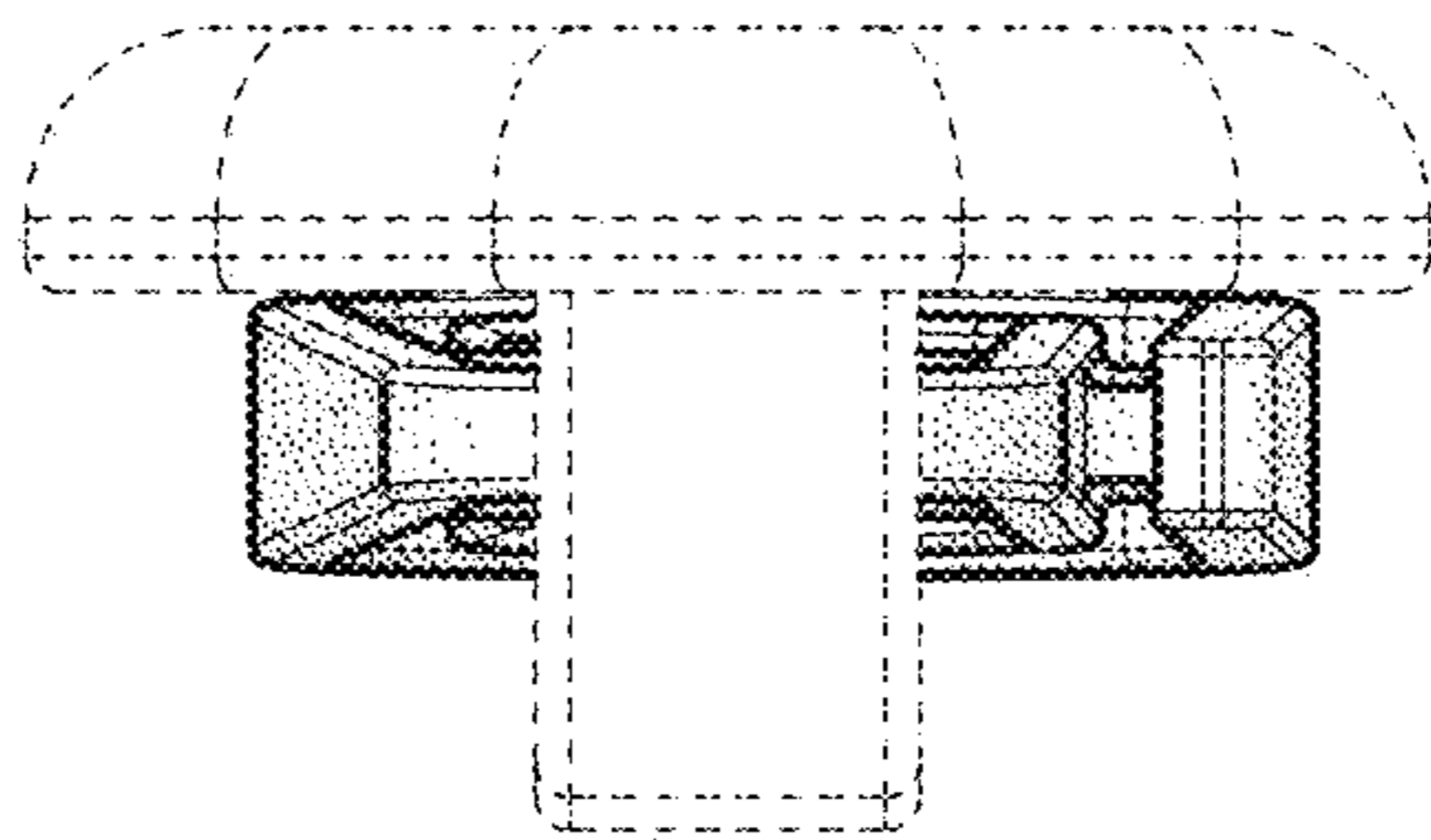




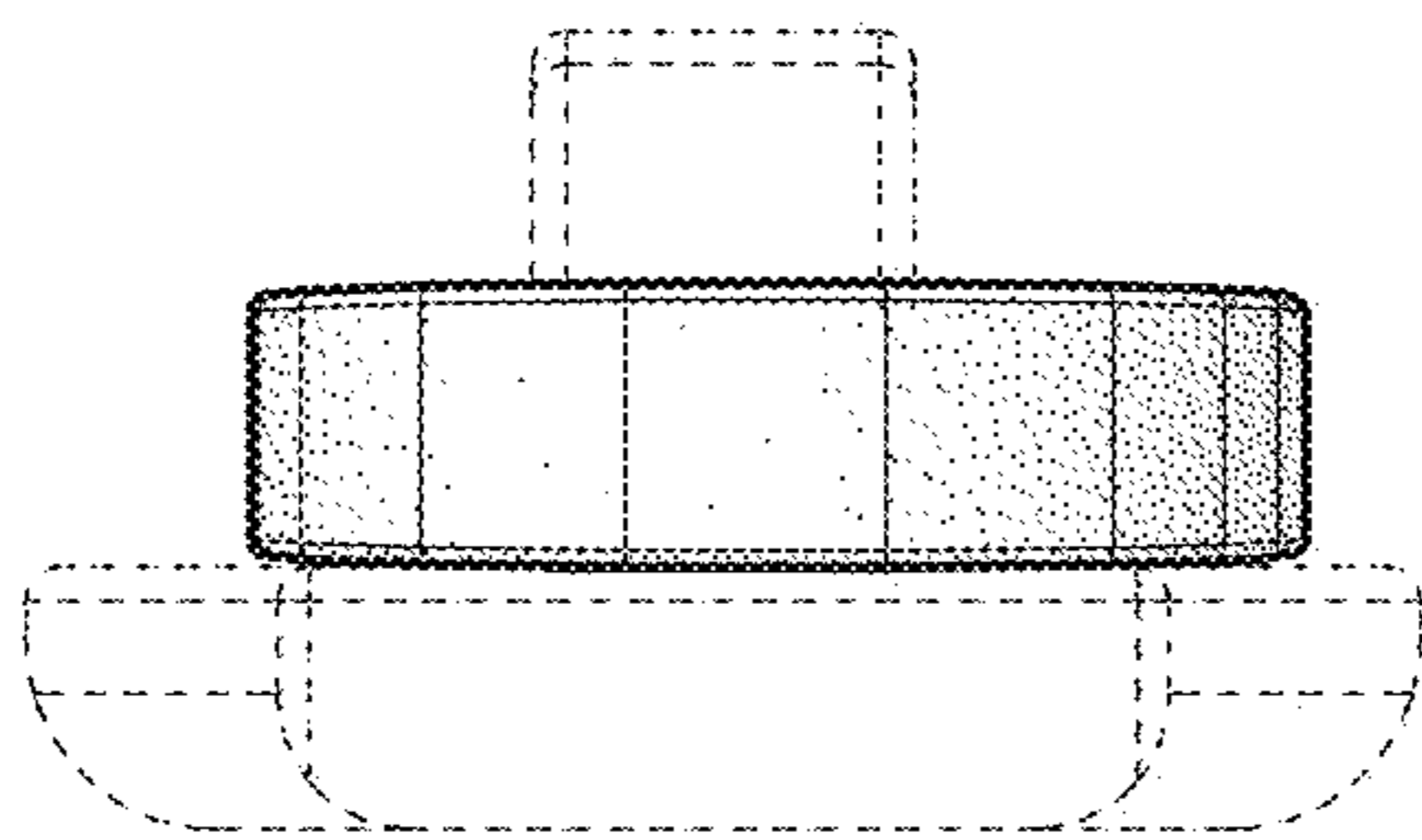
**FIG. 5**



**FIG. 6**



***FIG. 7***



***FIG. 8***