



US00D753365S

(12) **United States Design Patent**
Illedits et al.

(10) **Patent No.:** **US D753,365 S**
(45) **Date of Patent:** **** Apr. 5, 2016**

(54) **TRAVELATOR**

(71) Applicant: **Inventio AG**, Hergiswil (CH)

(72) Inventors: **Thomas Illedits**, Neufeld (AT); **Robert Schulz**, Vienna (AT); **Michael Matheisl**, Vösendorf (AT); **Christoph Makovec**, Wiener Neustadt (AT); **Uwe Hauer**, Nienburg (DE)

(73) Assignee: **Inventio AG**, Hergiswil (CH)

(**) Term: **14 Years**

(21) Appl. No.: **29/495,553**

(22) Filed: **Jul. 2, 2014**

(30) **Foreign Application Priority Data**

Jan. 16, 2014 (CH) 140426

(51) **LOC (10) Cl.** **12-05**

(52) **U.S. Cl.**
USPC **D34/30**

(58) **Field of Classification Search**

USPC D34/28, 30, 29; 198/331, 335, 336, 38, 198/321

CPC B66B 23/04; B66B 23/02; B66B 23/08; B66B 23/026; B66B 23/06; B66B 23/22; B66B 23/24; B66B 23/225; B66B 21/10

See application file for complete search history.

(56) **References Cited**

U.S. PATENT DOCUMENTS

3,399,758	A *	9/1968	Ford	B65G 23/20 104/20
D420,189	S	2/2000	Kleewein et al.	
D490,957	S *	6/2004	Stuffel	D34/30
D551,419	S *	9/2007	Kleewein	D34/30
2003/0000800	A1 *	1/2003	Krampl	B66B 23/00 198/321
2003/0066731	A1 *	4/2003	Gonzalez Alemany .	B66B 23/26 198/321
2003/0127301	A1 *	7/2003	Lauch	B66B 29/06 198/321
2006/0137960	A1 *	6/2006	Fargo	B66B 23/028 198/330
2007/0074950	A1 *	4/2007	Aulanko	B66B 23/225 198/321
2010/0096240	A1 *	4/2010	Winkelhake	A61K 31/4985 198/323
2010/0147648	A1 *	6/2010	Gonzalez Alemany .	B66B 23/00 198/335

* cited by examiner

Primary Examiner — Cynthia Ramirez

(74) *Attorney, Agent, or Firm* — Fraser Clemens Martin & Miller LLC; William J. Clemens

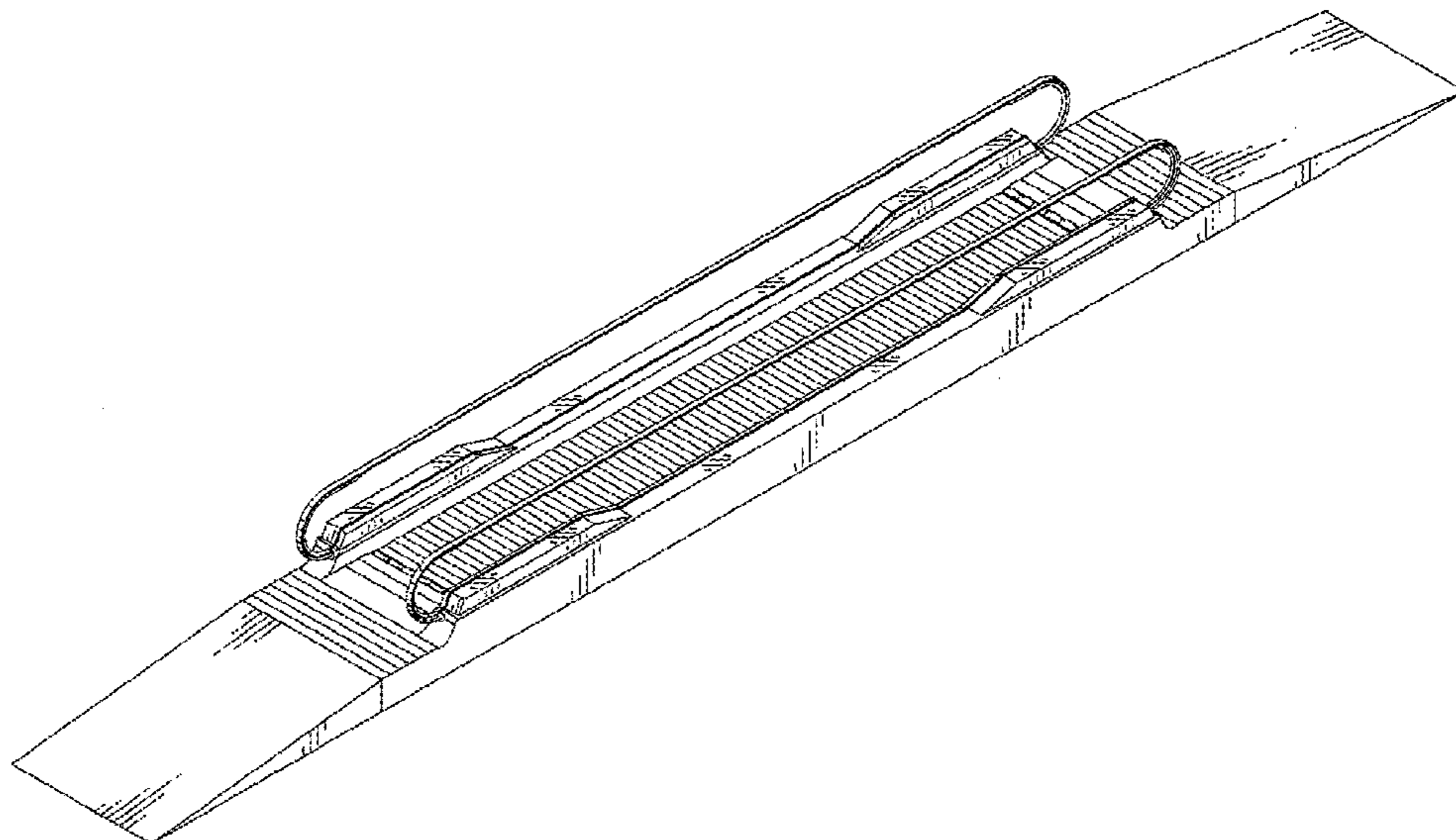
(57) **CLAIM**

The ornamental design for a travelator, as shown.

DESCRIPTION

FIG. 1 is a front view of a travelator showing our new design; FIG. 2 is a rear elevation view thereof; FIG. 3 is a left side elevation view thereof; FIG. 4 is a right side elevation view thereof; FIG. 5 is a top plan view thereof; FIG. 6 is a bottom plan view thereof; and, FIG. 7 is a perspective view thereof.

1 Claim, 3 Drawing Sheets



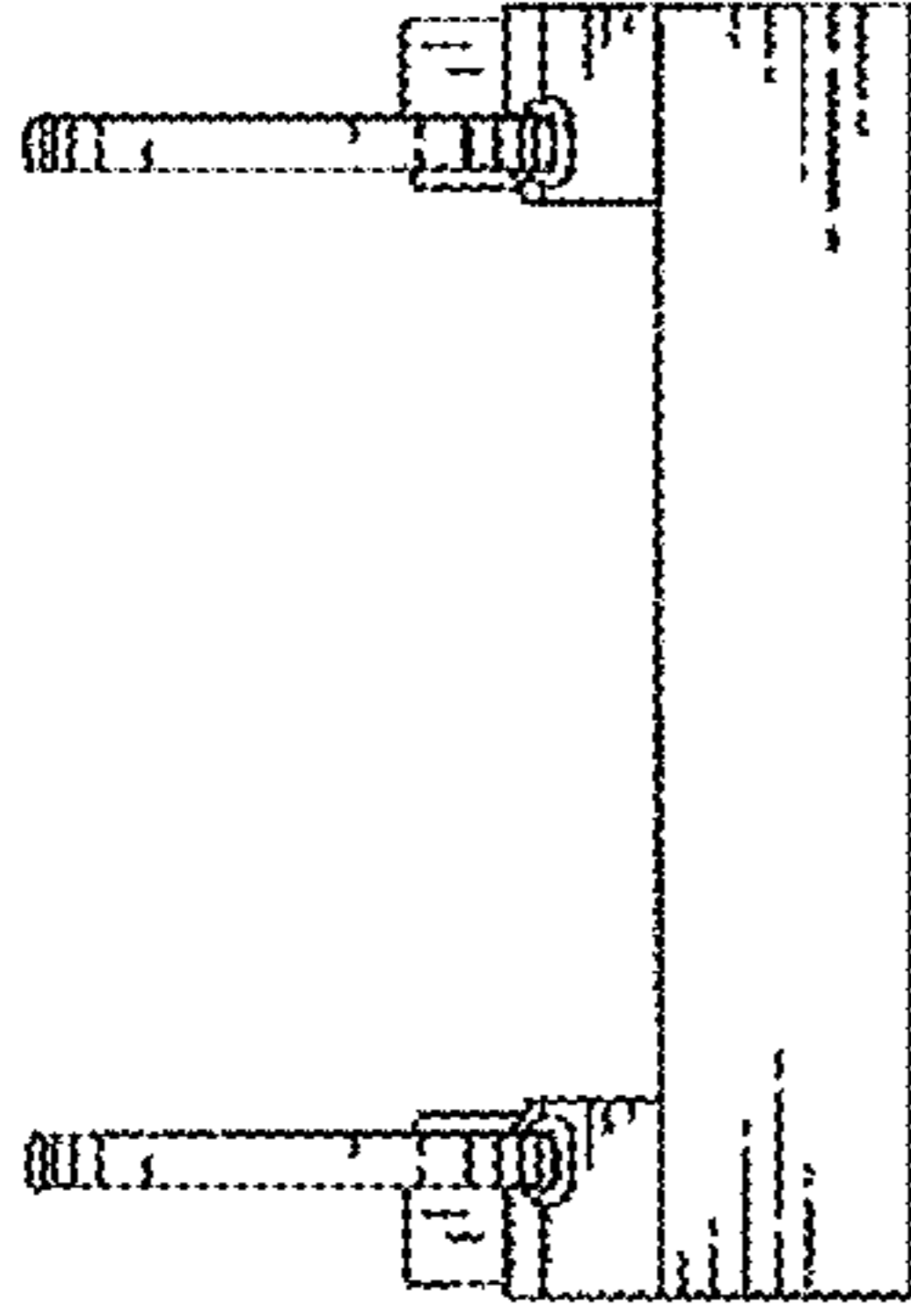


Fig. 1

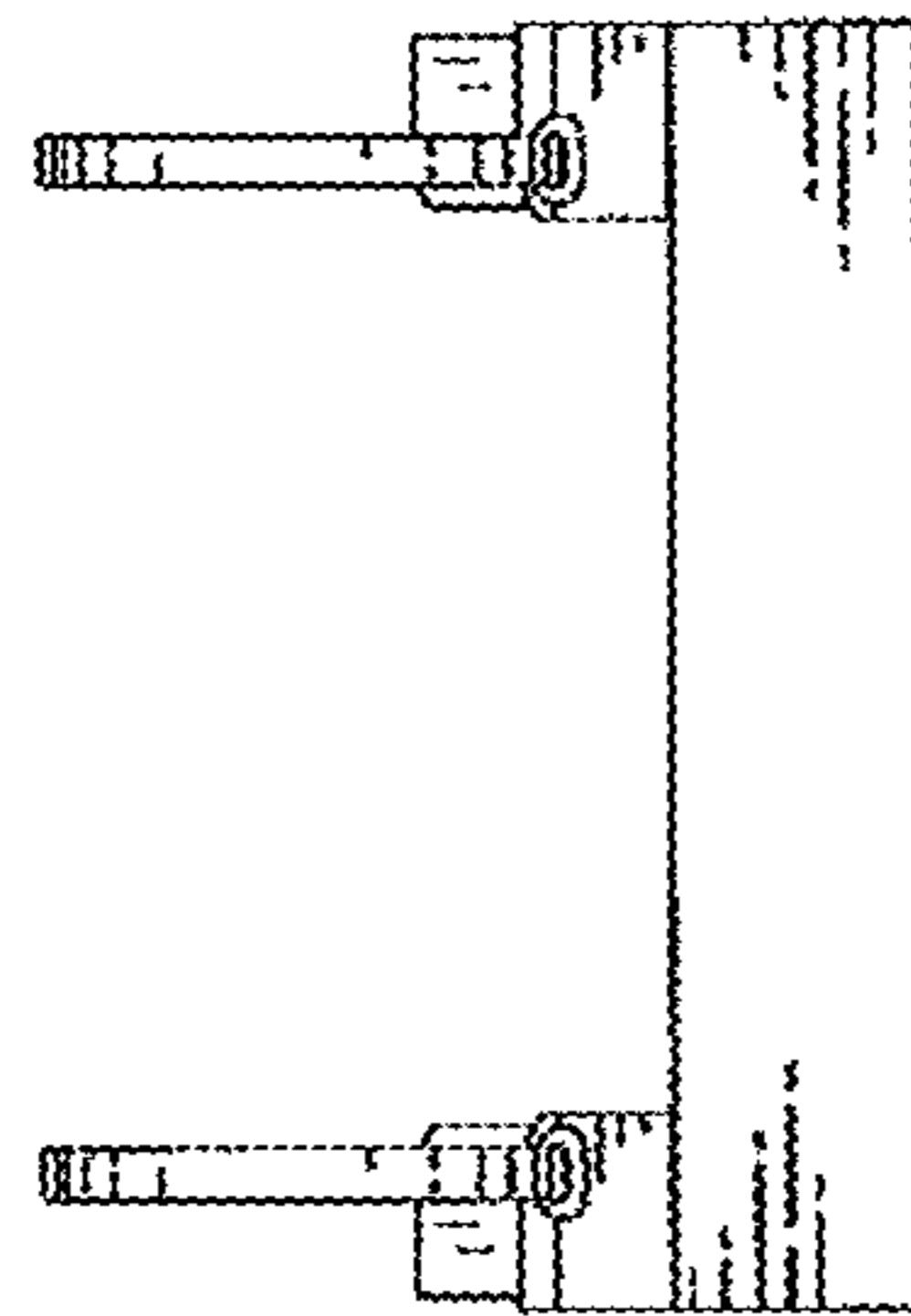


Fig. 2

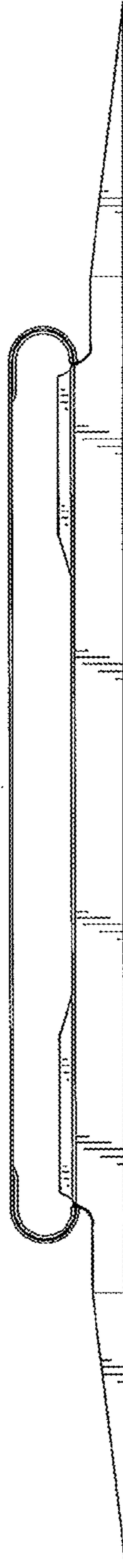


Fig. 3

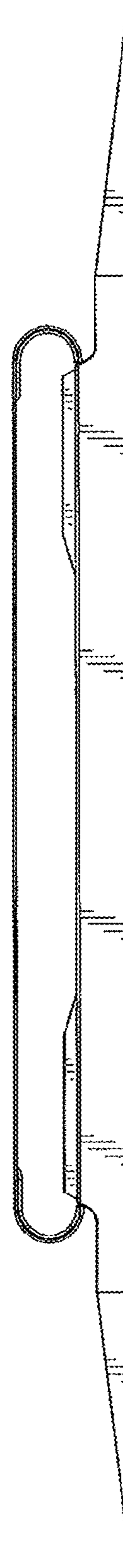


Fig. 4

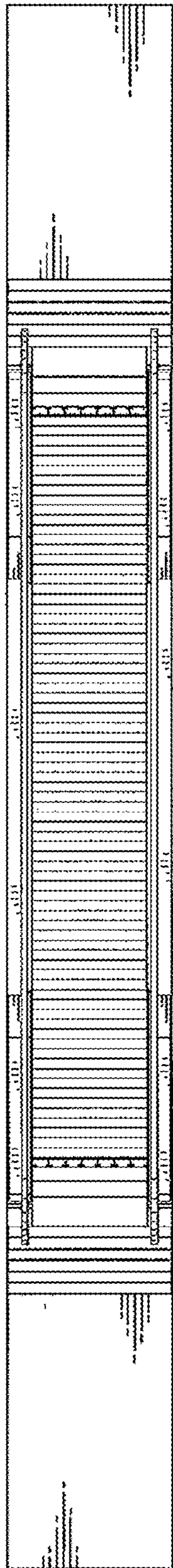


Fig. 5

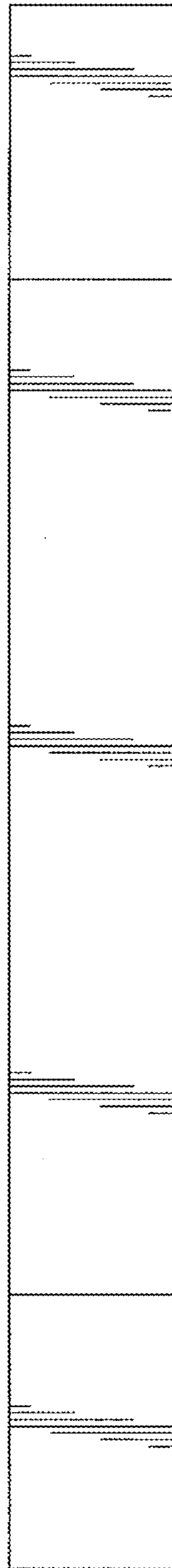


Fig. 6

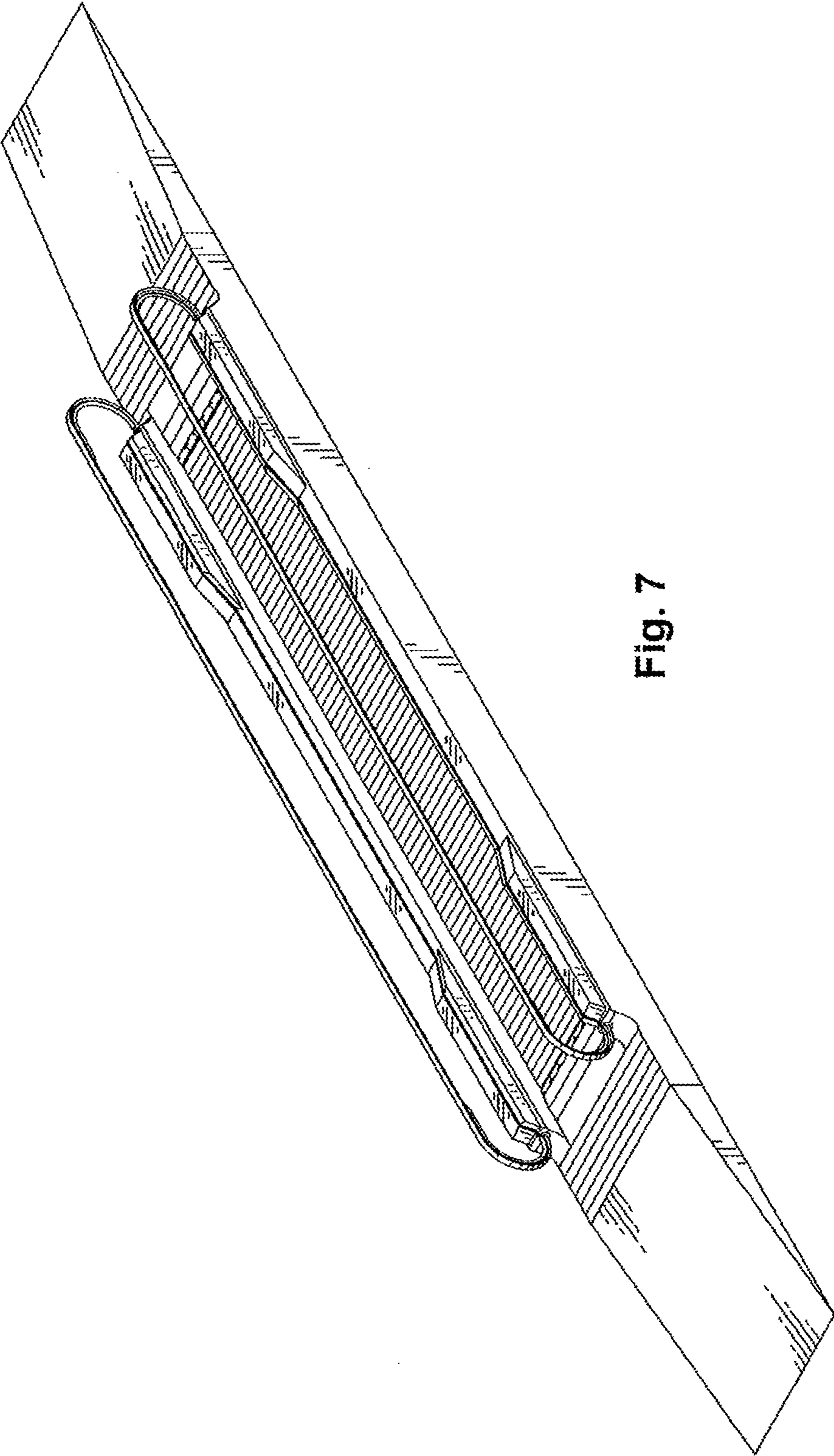


Fig. 7