



US00D753363S

(12) **United States Design Patent**
Iriarte et al.

(10) **Patent No.:** **US D753,363 S**
(45) **Date of Patent:** **** Apr. 5, 2016**

(54) **CAN-SHAPED RECYCLE BIN**
(71) Applicant: **Eco-Cans, Inc.**, Miami Lakes, FL (US)
(72) Inventors: **Julio Iriarte**, Miami Lakes, FL (US);
Christian Infante, Hialeah Gardens, FL (US)
(73) Assignee: **Eco-Cans, Inc.**, Miami Lakes, FL (US)

D617,970 S * 6/2010 Warlick D34/4
D640,852 S * 6/2011 Warlick D34/4
D706,032 S * 6/2014 Roth D3/271.1
D710,063 S * 7/2014 Senser D34/1
D739,632 S * 9/2015 Senser D34/1
2006/0243728 A1* 11/2006 Roger B65D 17/165
220/23.9
2010/0012658 A1* 1/2010 Karangelen B65D 25/04
220/500

(**) Term: **14 Years**
(21) Appl. No.: **29/507,880**

OTHER PUBLICATIONS
“Gallery.” The Green Can, 2012. Web. Oct. 31, 2014. www.thegreencan.org.

(22) Filed: **Oct. 31, 2014**
(51) **LOC (10) Cl.** **09-09**
(52) **U.S. Cl.**
USPC **D34/4**
(58) **Field of Classification Search**
USPC D34/1-11; 220/908, 908.1, 909, 911,
220/913
CPC B65F 1/06; B65F 1/1615; B65F 1/1607;
B65F 1/163; B65F 1/16
See application file for complete search history.

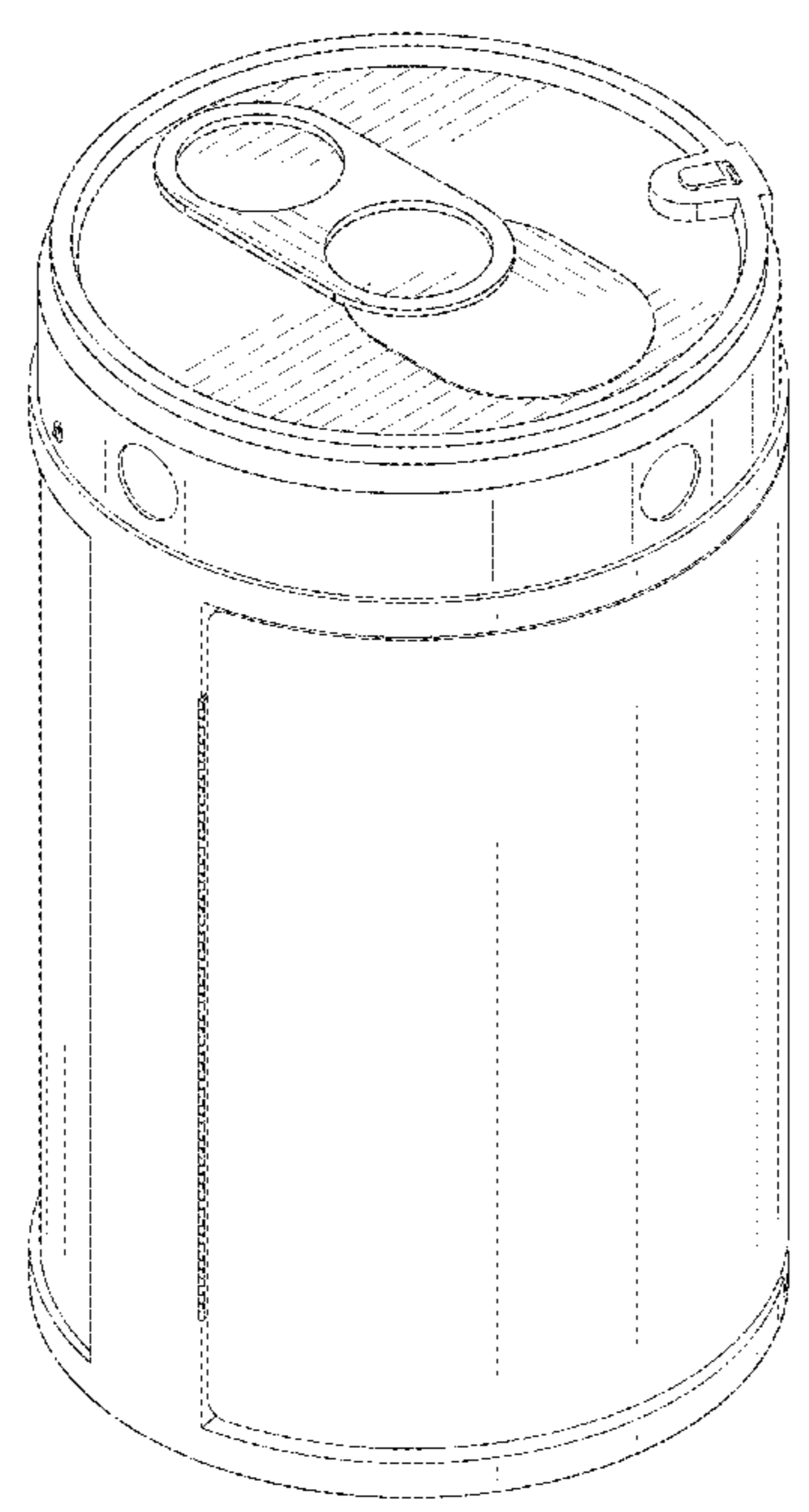
* cited by examiner
Primary Examiner — Cynthia Ramirez
(74) *Attorney, Agent, or Firm* — Assouline & Berlowe, PA;
Loren Donald Pearson

(56) **References Cited**
U.S. PATENT DOCUMENTS
D396,916 S * 8/1998 Ochs, Sr. D34/4
D442,995 S * 5/2001 Niiyama D20/10
D473,428 S * 4/2003 Mak D7/606
D530,685 S * 10/2006 Dupuis D14/125
D549,420 S * 8/2007 Naber D34/9
D588,321 S * 3/2009 Schoofs D34/7
D594,167 S * 6/2009 Chavez, II D34/10
D605,060 S * 12/2009 Reimer D9/766
D617,969 S * 6/2010 Sung D34/4

(57) **CLAIM**
The ornamental design for a can-shaped recycle bin, as shown and described.

DESCRIPTION
FIG. 1 is a top perspective view of the can-shaped recycle bin.
FIG. 2 is a bottom perspective view thereof.
FIG. 3 is a top plan view thereof.
FIG. 4 is a bottom plan view thereof.
FIG. 5 is a right side elevational view thereof.
FIG. 6 is a left side elevational view thereof.
FIG. 7 is a front elevational view thereof; and,
FIG. 8 is a rear elevational view thereof.

1 Claim, 8 Drawing Sheets



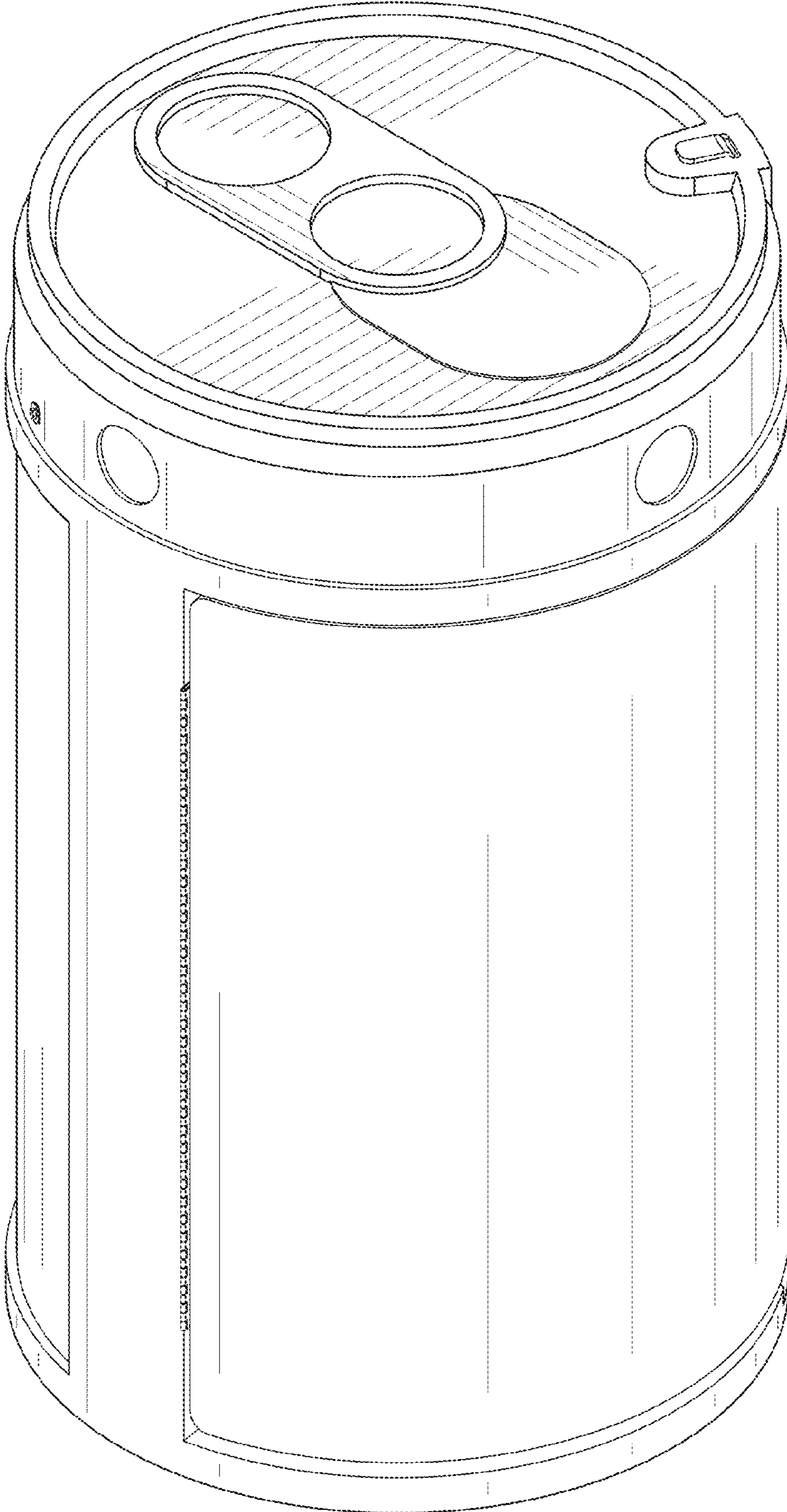


FIG. 1

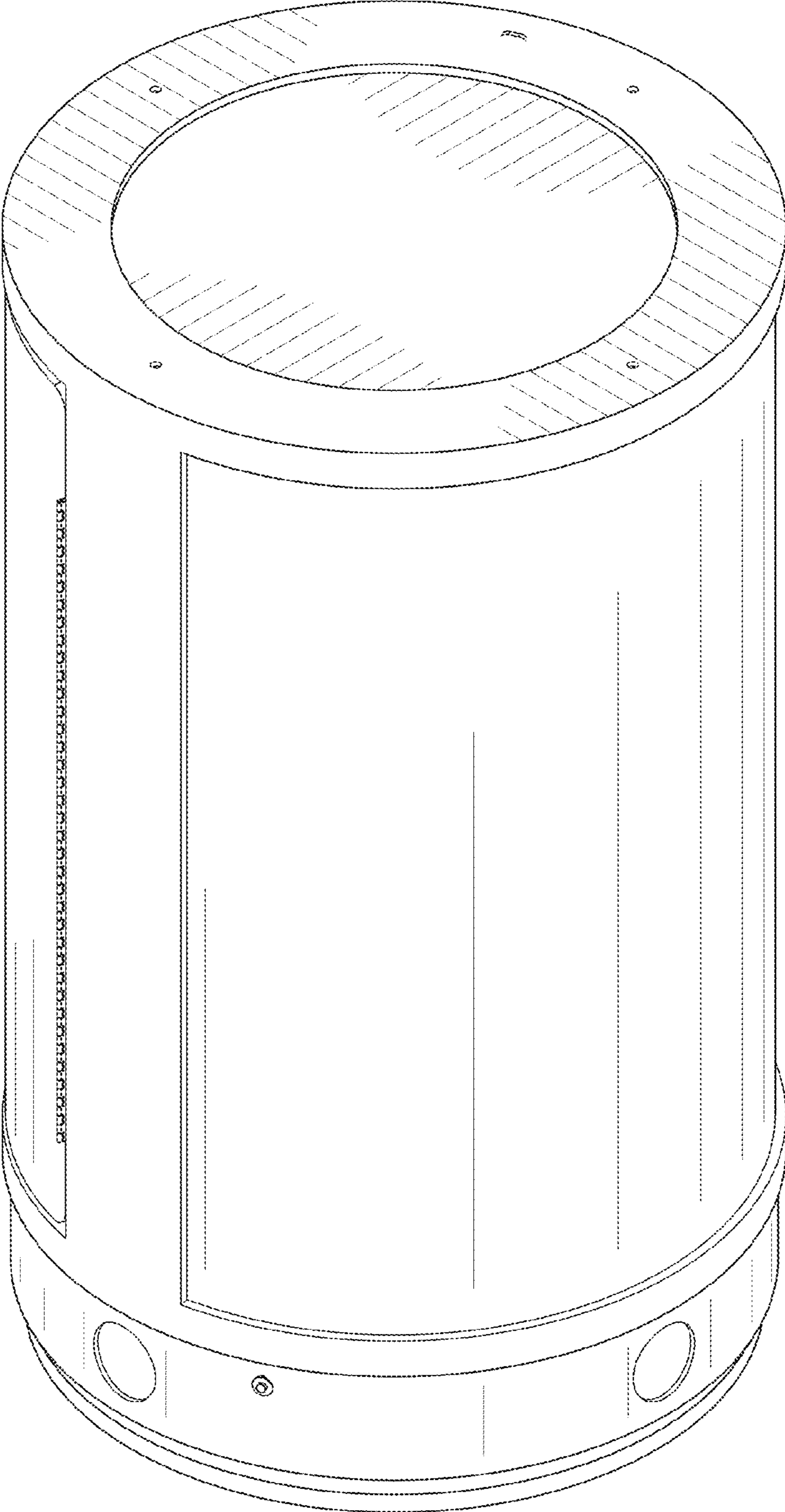


FIG. 2

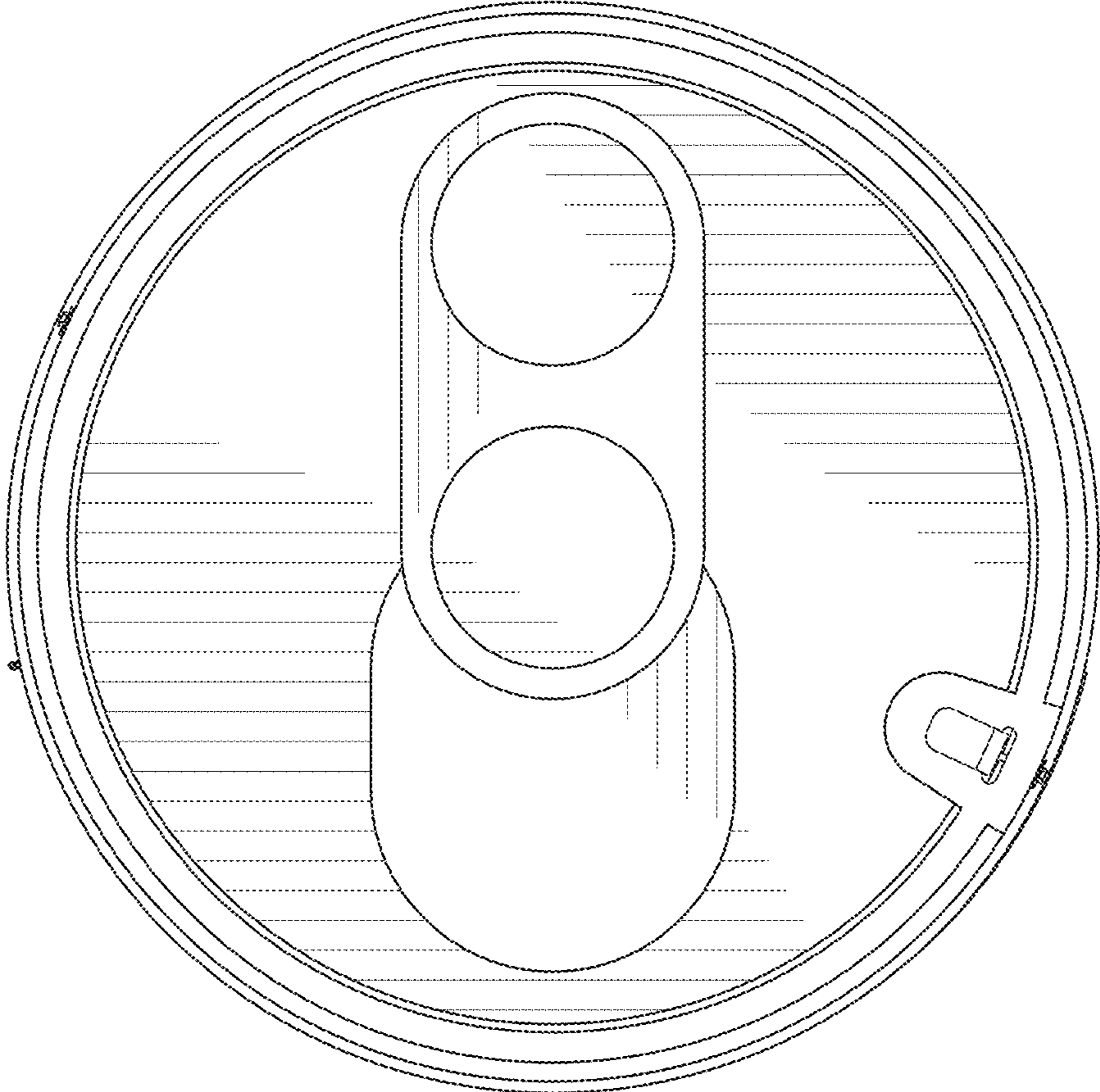


FIG. 3

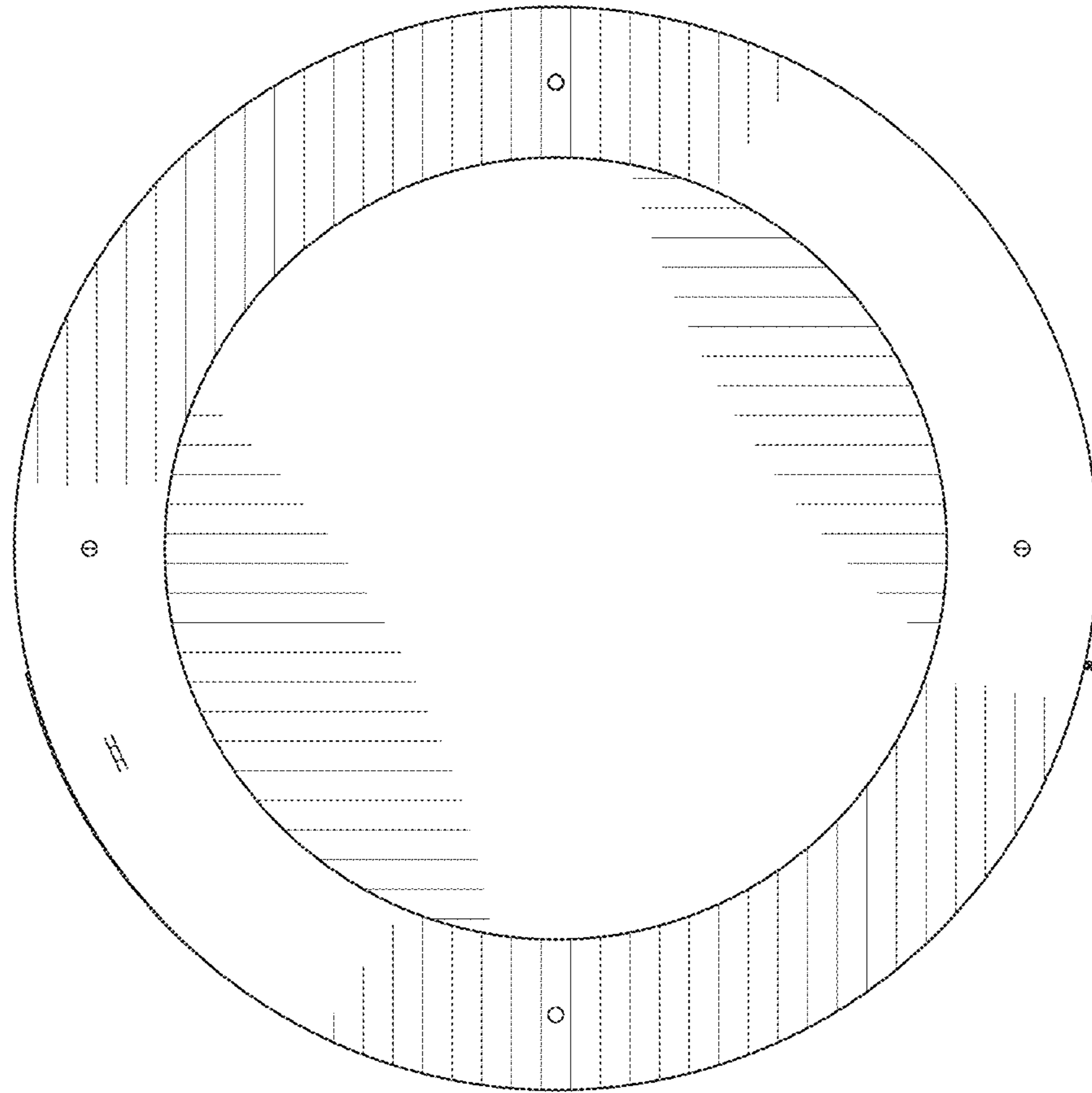


FIG. 4

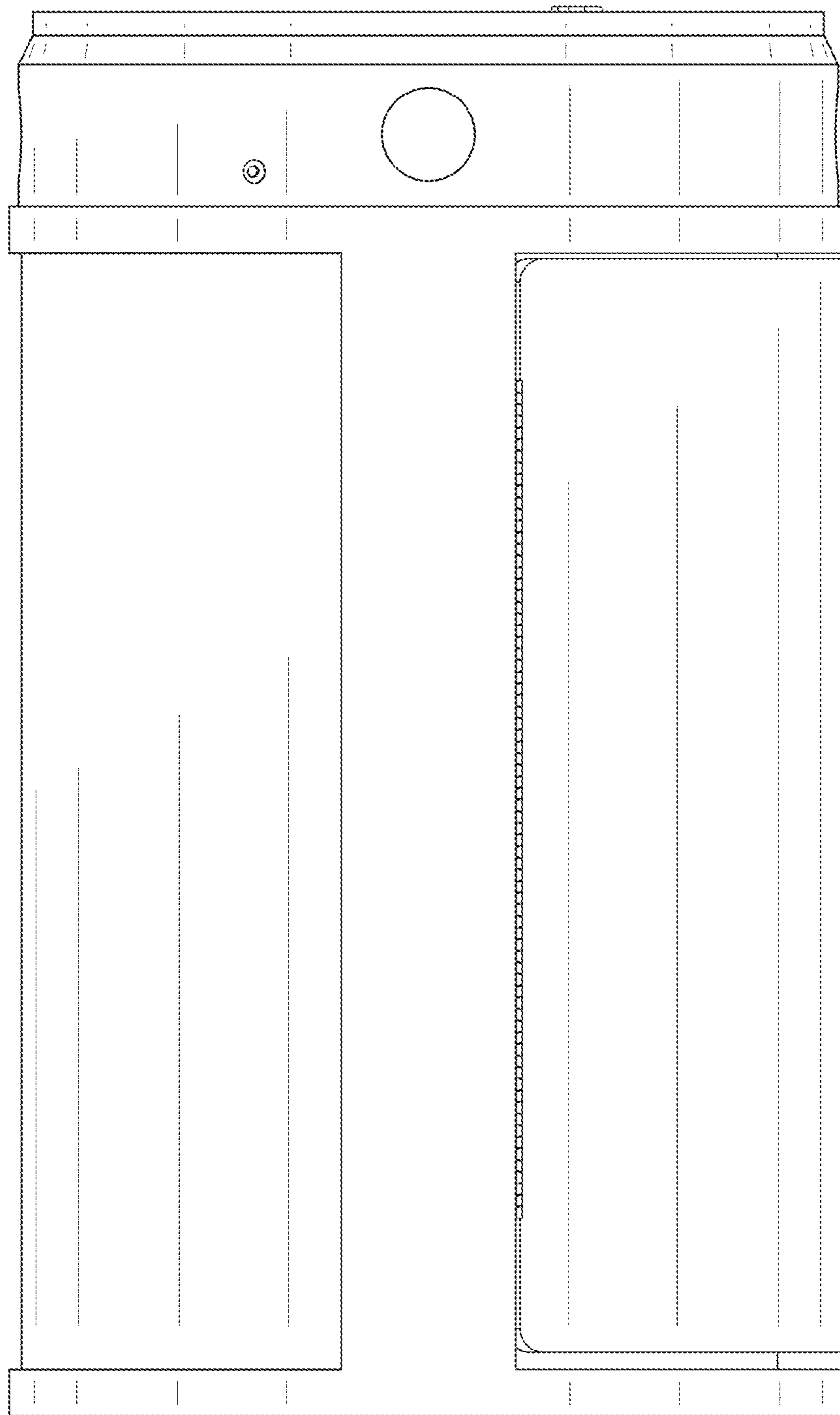


FIG. 5

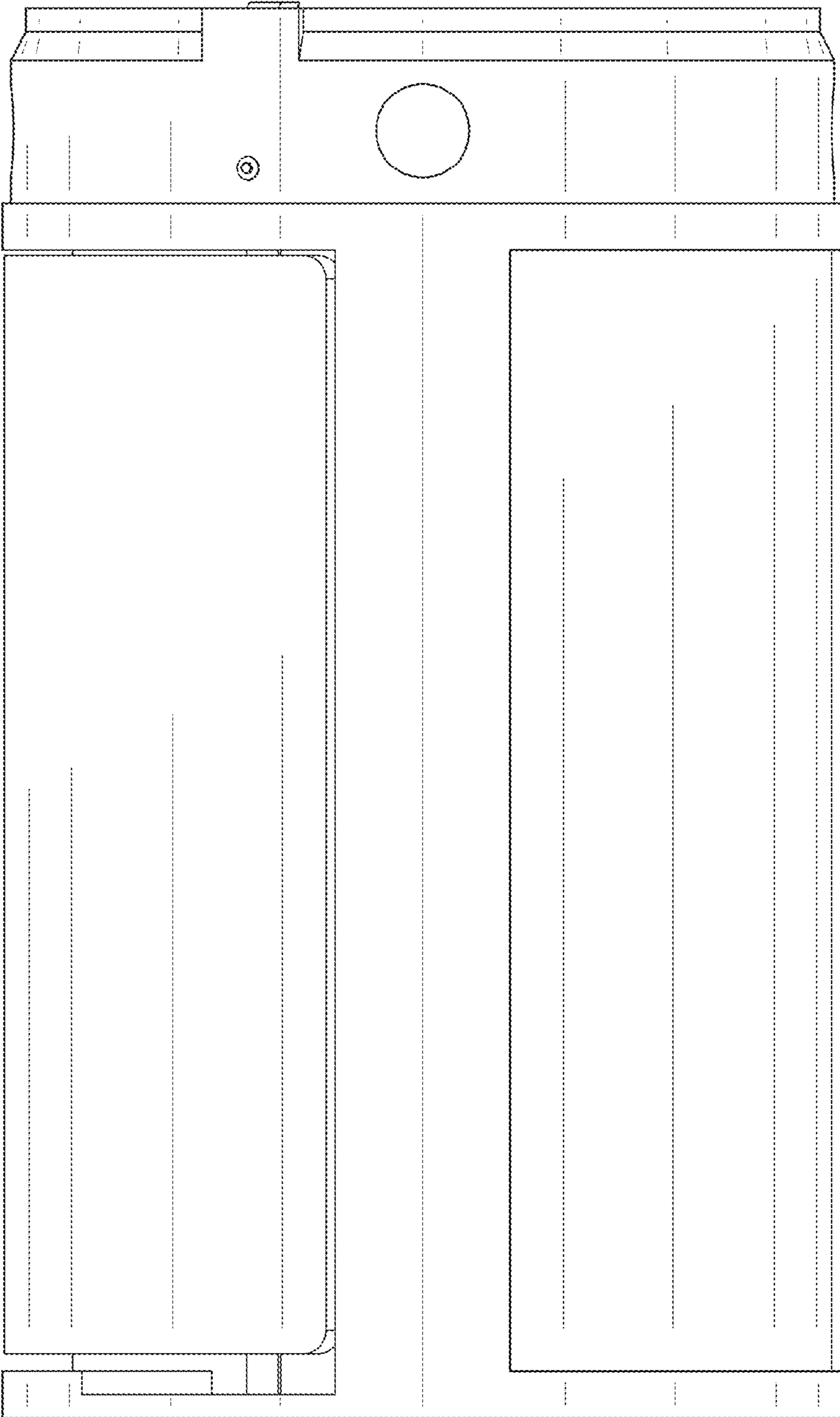


FIG. 6

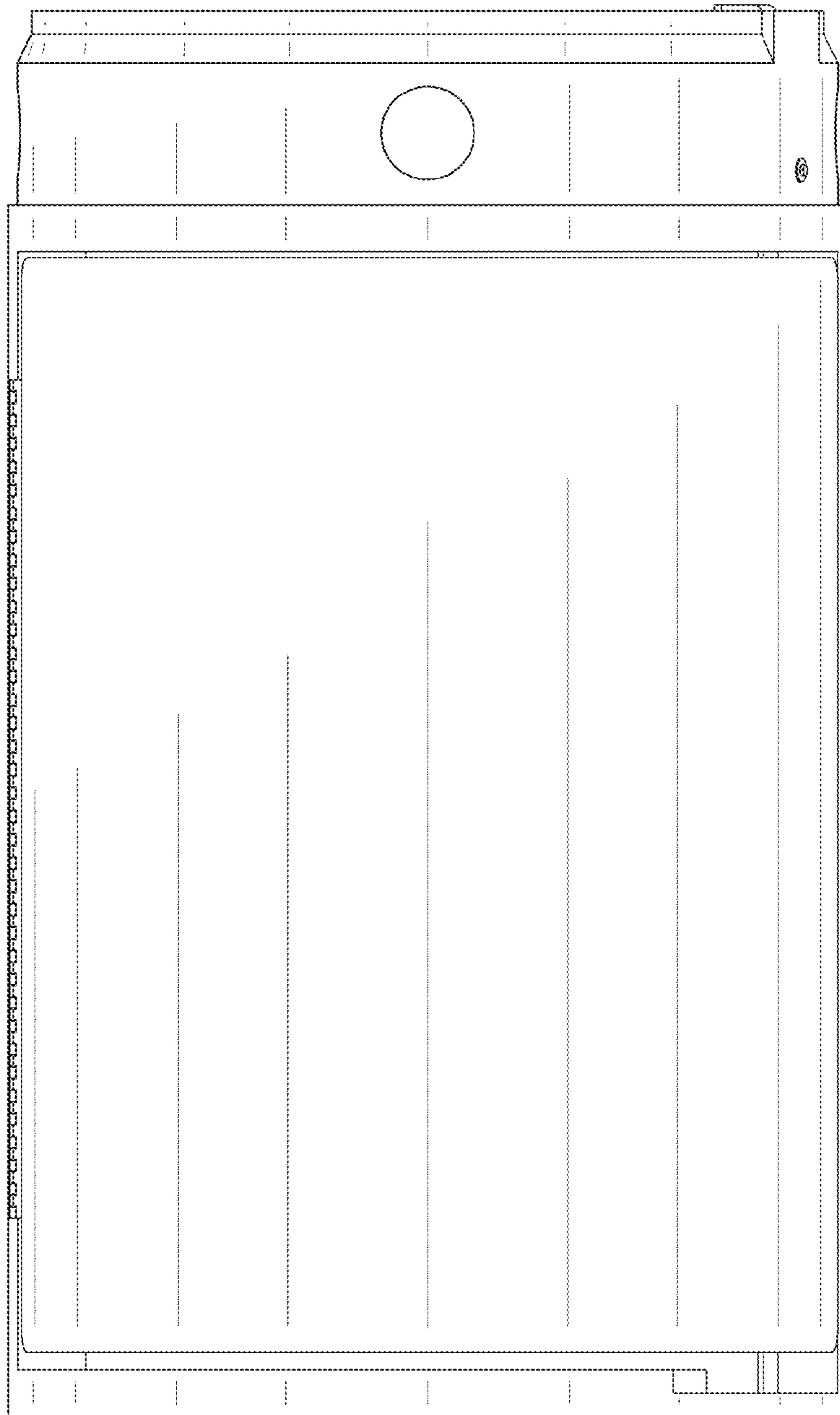


FIG. 7

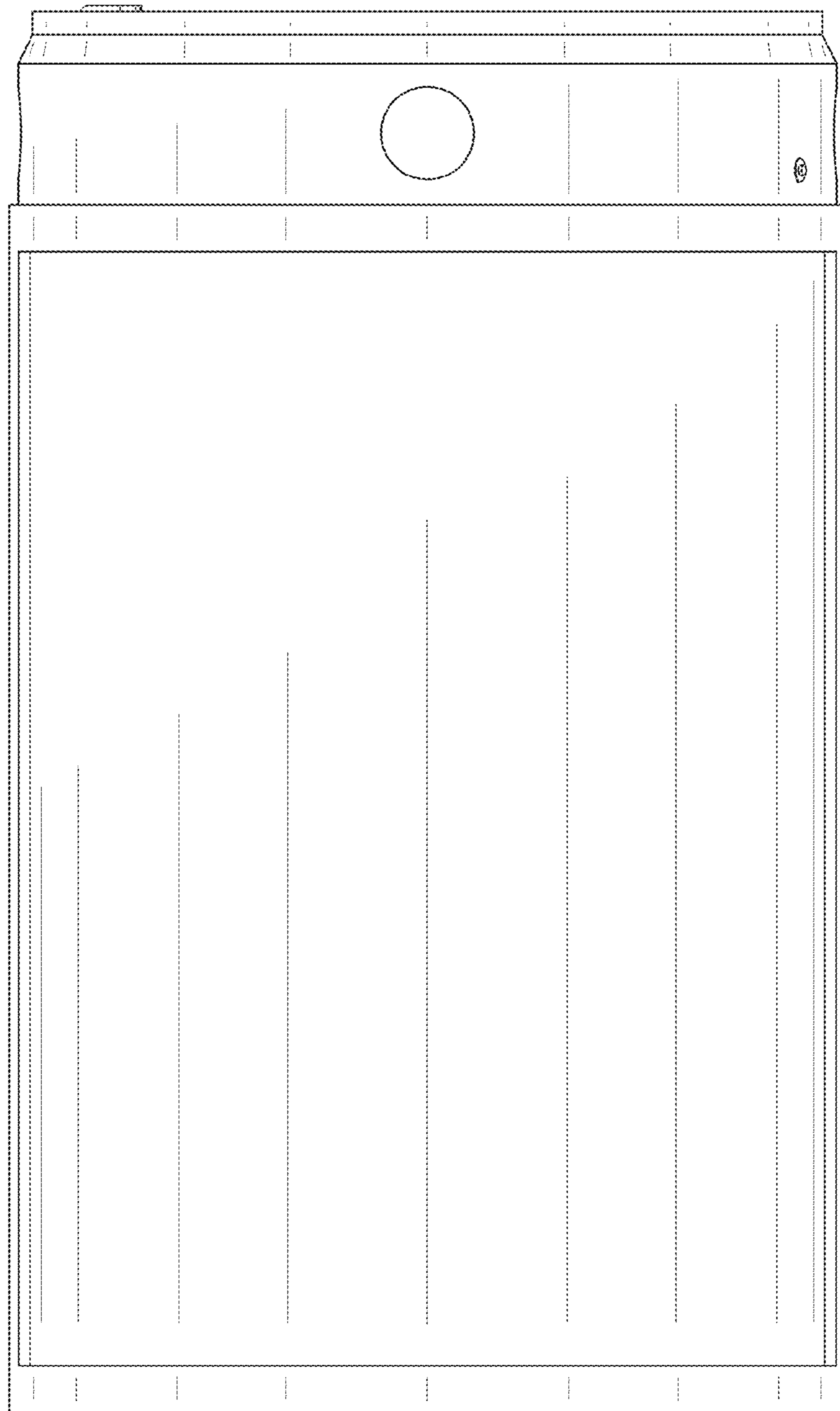


FIG. 8