



US00D753354S

(12) **United States Design Patent**
Casini

(10) **Patent No.:** **US D753,354 S**

(45) **Date of Patent:** **** Apr. 5, 2016**

(54) **WINDOW CLEANER**

(71) Applicant: **Carl Freudenberg KG**, Weinheim (DE)

(72) Inventor: **Luca Casini**, Milan (IT)

(73) Assignee: **Carl Freudenberg KG**, Weinheim (DE)

(**) Term: **14 Years**

(21) Appl. No.: **29/508,163**

(22) Filed: **Nov. 4, 2014**

(30) **Foreign Application Priority Data**

Jul. 18, 2014 (EM) 002504852-0001

(51) **LOC (10) Cl.** **15-05**

(52) **U.S. Cl.**
USPC **D32/17; D32/18**

(58) **Field of Classification Search**
USPC D32/1, 15-17, 21-22, 31, 34, 42, 45;
D30/158

CPC A47L 5/24; A47L 5/362; A47L 15/28;
A47L 9/325; A47L 9/2857; A47L 9/1427;
A47L 15/14; A47L 9/2884; A47L 9/1666;
A47L 9/1683; A47L 9/1625; A47L 9/22;
A47L 11/34; A47L 1/06; A47L 5/28; B26B
19/44; B60S 3/002; F28G 3/166; B01D
50/002; B01D 45/12

See application file for complete search history.

(56) **References Cited**

U.S. PATENT DOCUMENTS

D388,562 S * 12/1997 Doria D32/17
D421,670 S * 3/2000 Schupp D32/17

D441,508 S * 5/2001 Doria D32/17
D445,972 S * 7/2001 Doria D32/17
D459,560 S * 6/2002 Lau D32/18
D480,846 S * 10/2003 Ki D32/18
D485,652 S * 1/2004 Erlich D32/18
D504,985 S * 5/2005 Buzzi D32/17
D506,297 S * 6/2005 Buzzi D32/17
D522,191 S * 5/2006 Erlich D32/18
D674,564 S * 1/2013 Mangano D32/17
D697,278 S * 1/2014 Meyer D32/42
D703,405 S * 4/2014 Meyer D32/41
D715,009 S * 10/2014 Curien D32/41
D720,107 S * 12/2014 Meyer D32/41
D725,326 S * 3/2015 Spencer et al. D32/17
2012/0030898 A1 * 2/2012 Crouch et al. 15/344
2014/0109340 A1 * 4/2014 Fischer 15/353

* cited by examiner

Primary Examiner — Ruth McInroy

(74) *Attorney, Agent, or Firm* — Leydig, Voit & Mayer, Ltd.

(57) **CLAIM**

The ornamental design for a window cleaner, as shown and described.

DESCRIPTION

FIG. 1 is a perspective view taken from the front, top, and right side of a window cleaner in accordance with my new design.

FIG. 2 is a left side elevational view of the window cleaner of FIG. 1.

FIG. 3 is a front view of the window cleaner of FIG. 1.

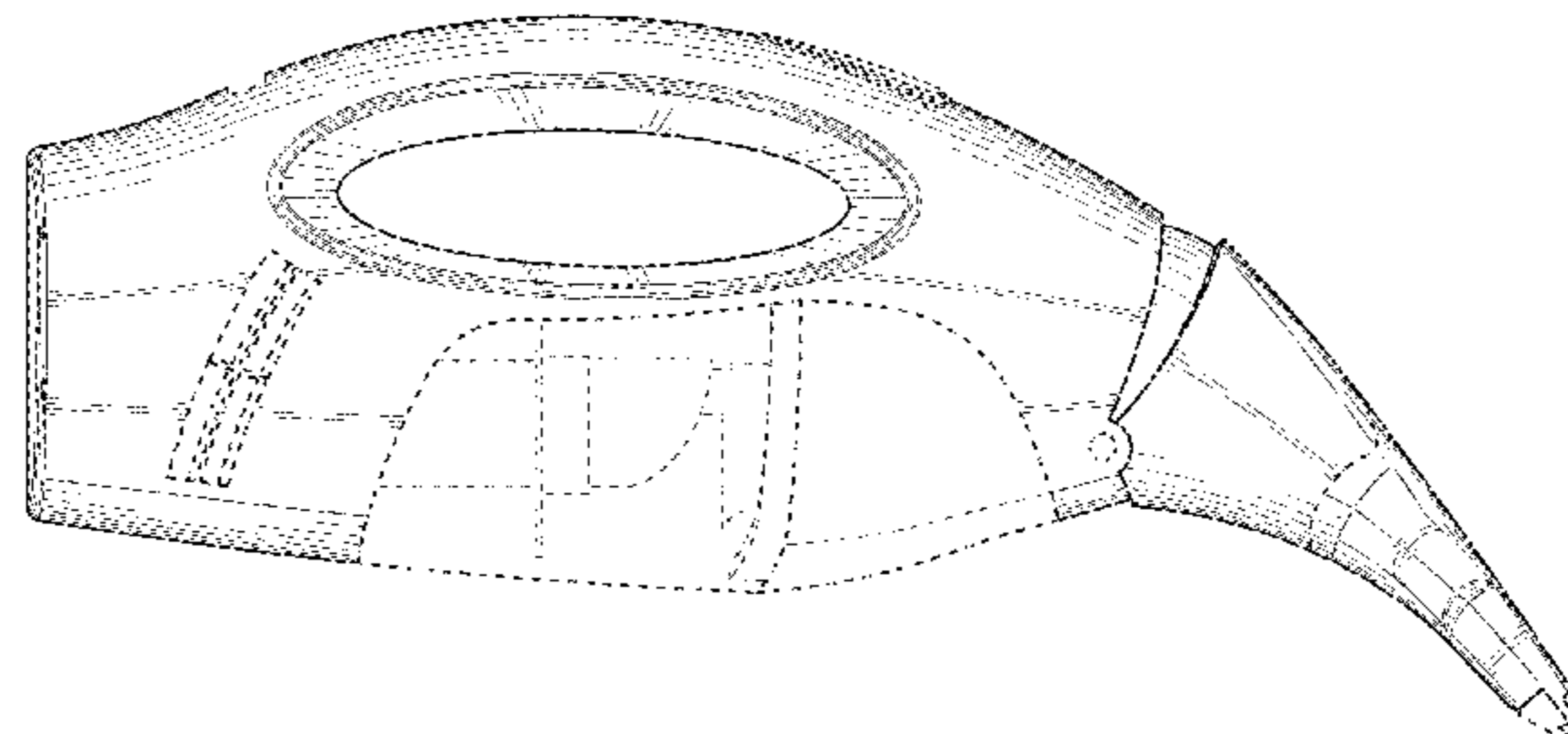
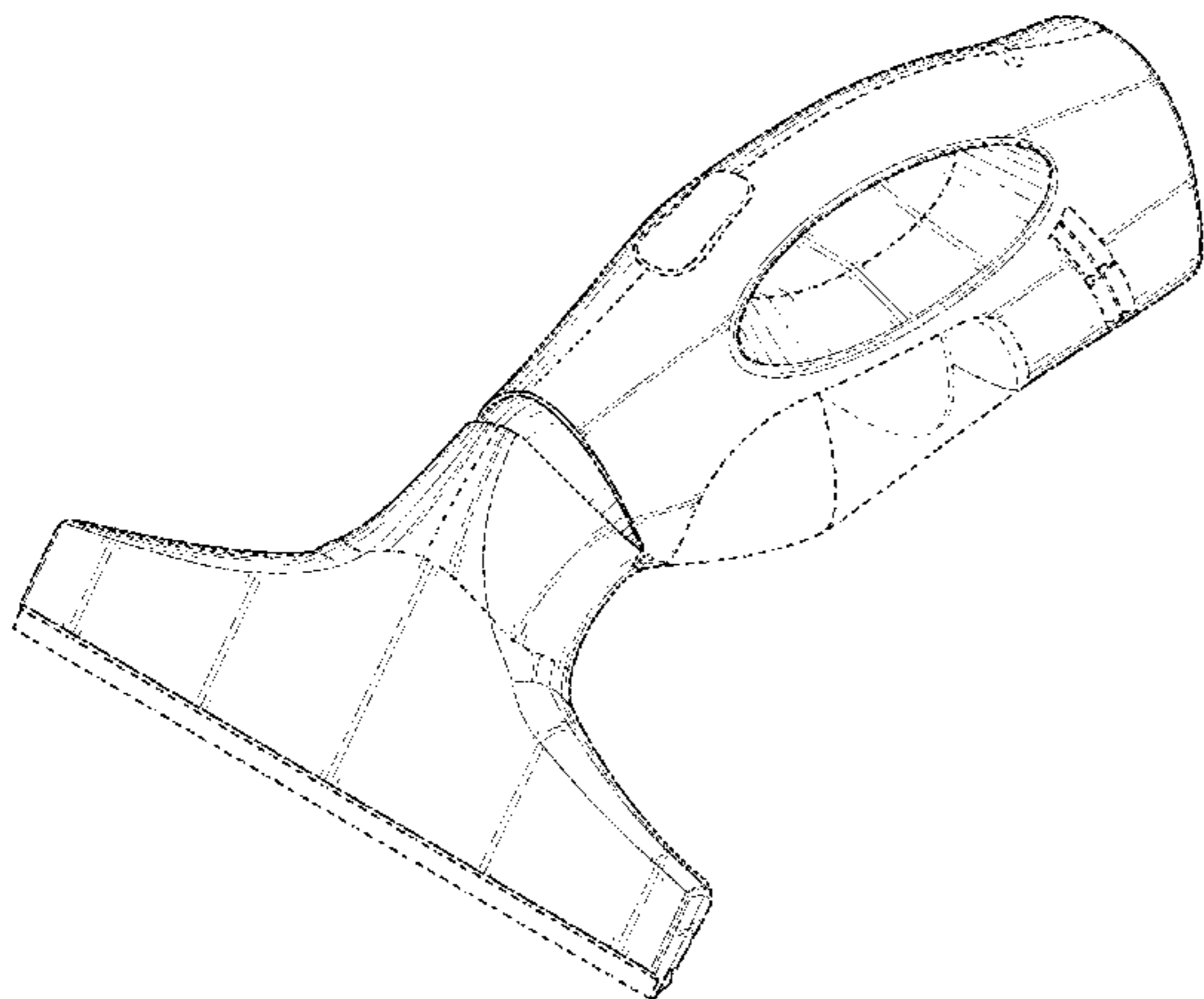
FIG. 4 is a rear view of the window cleaner of FIG. 1.

FIG. 5 is a top view of the window cleaner of FIG. 1; and,

FIG. 6 is a bottom view of the window cleaner of FIG. 1.

The broken lines shown represent unclaimed subject matter and form no part of the claimed design.

1 Claim, 6 Drawing Sheets



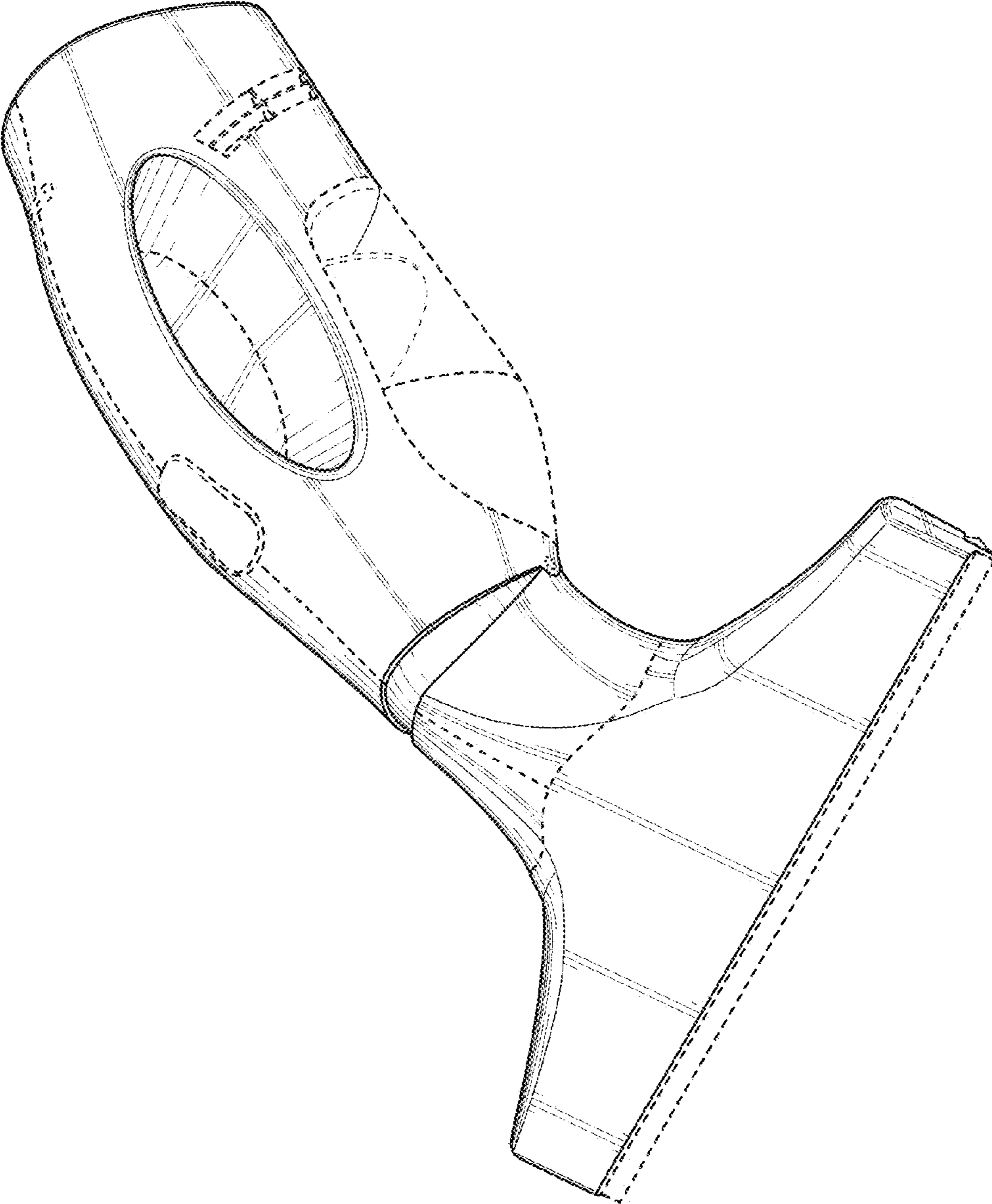


FIG. 1

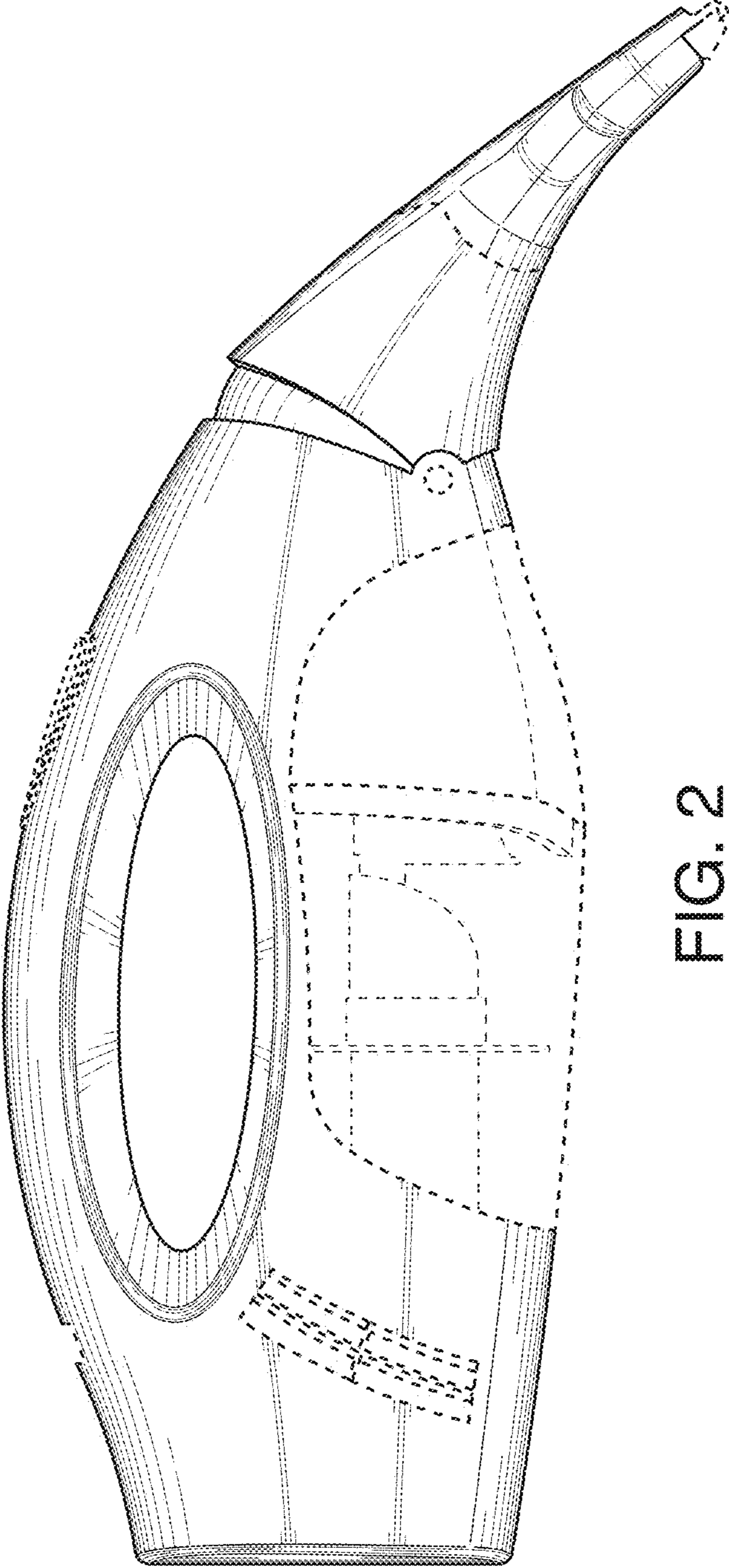


FIG. 2

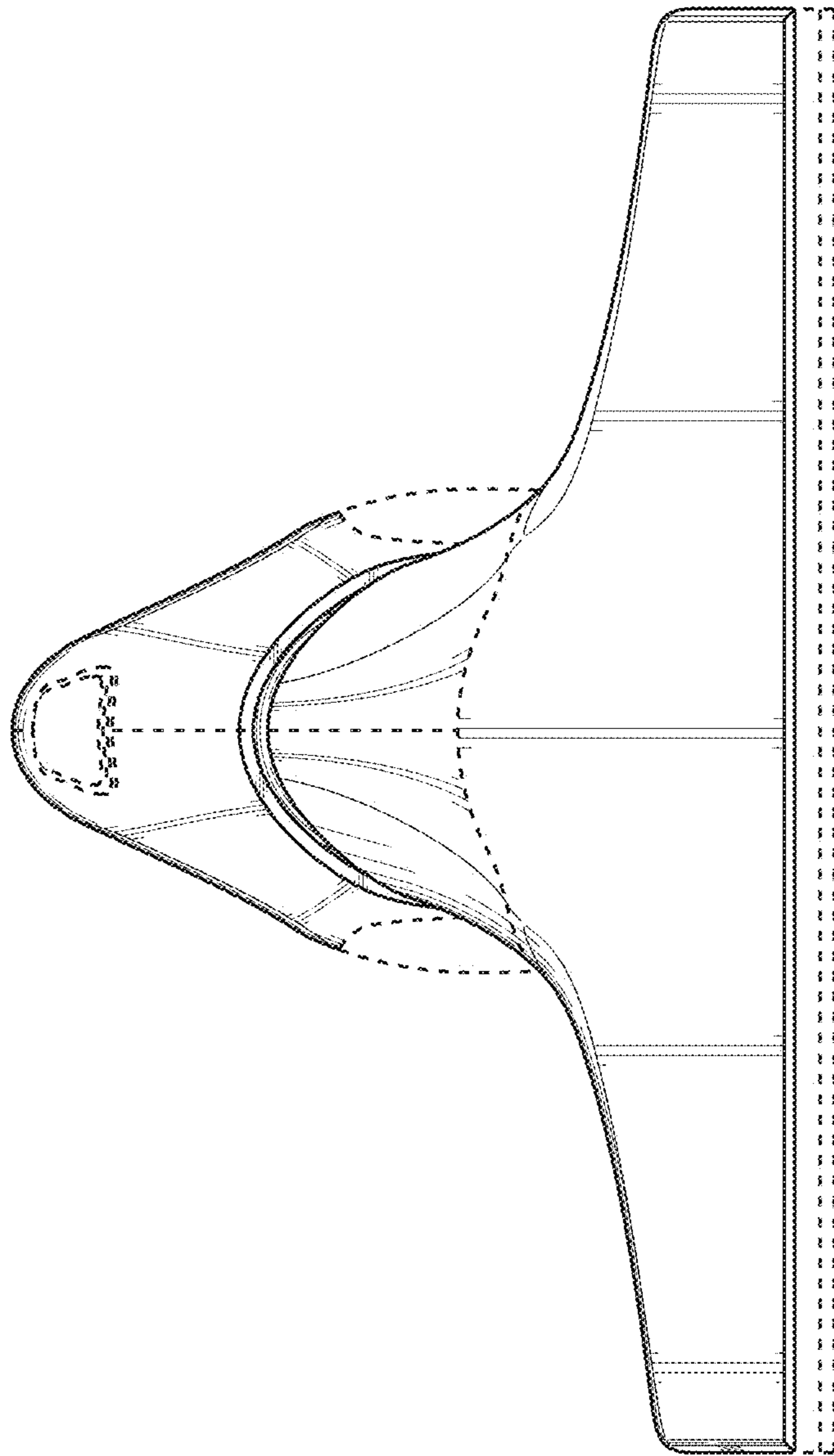


FIG. 3

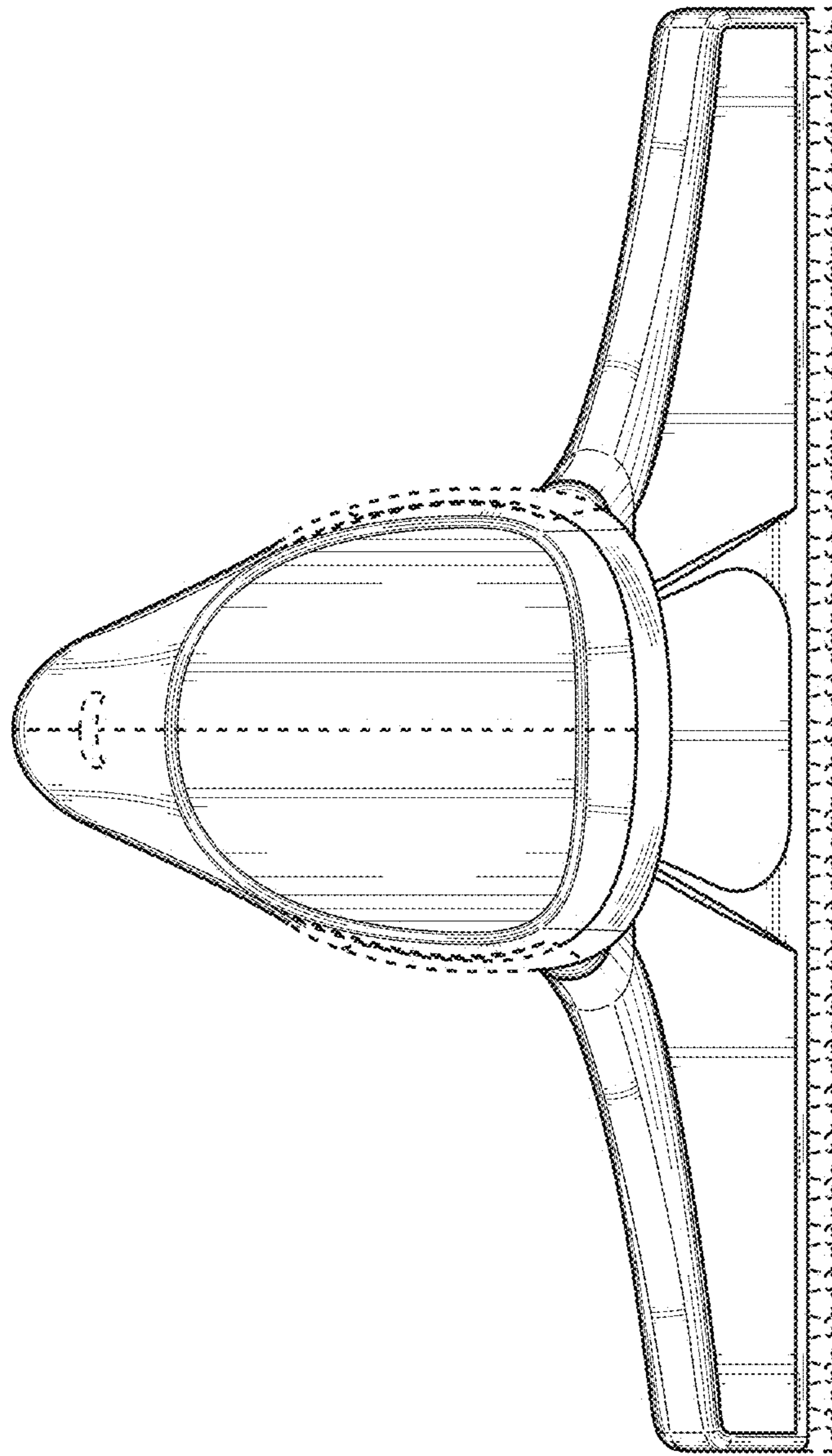


FIG. 4

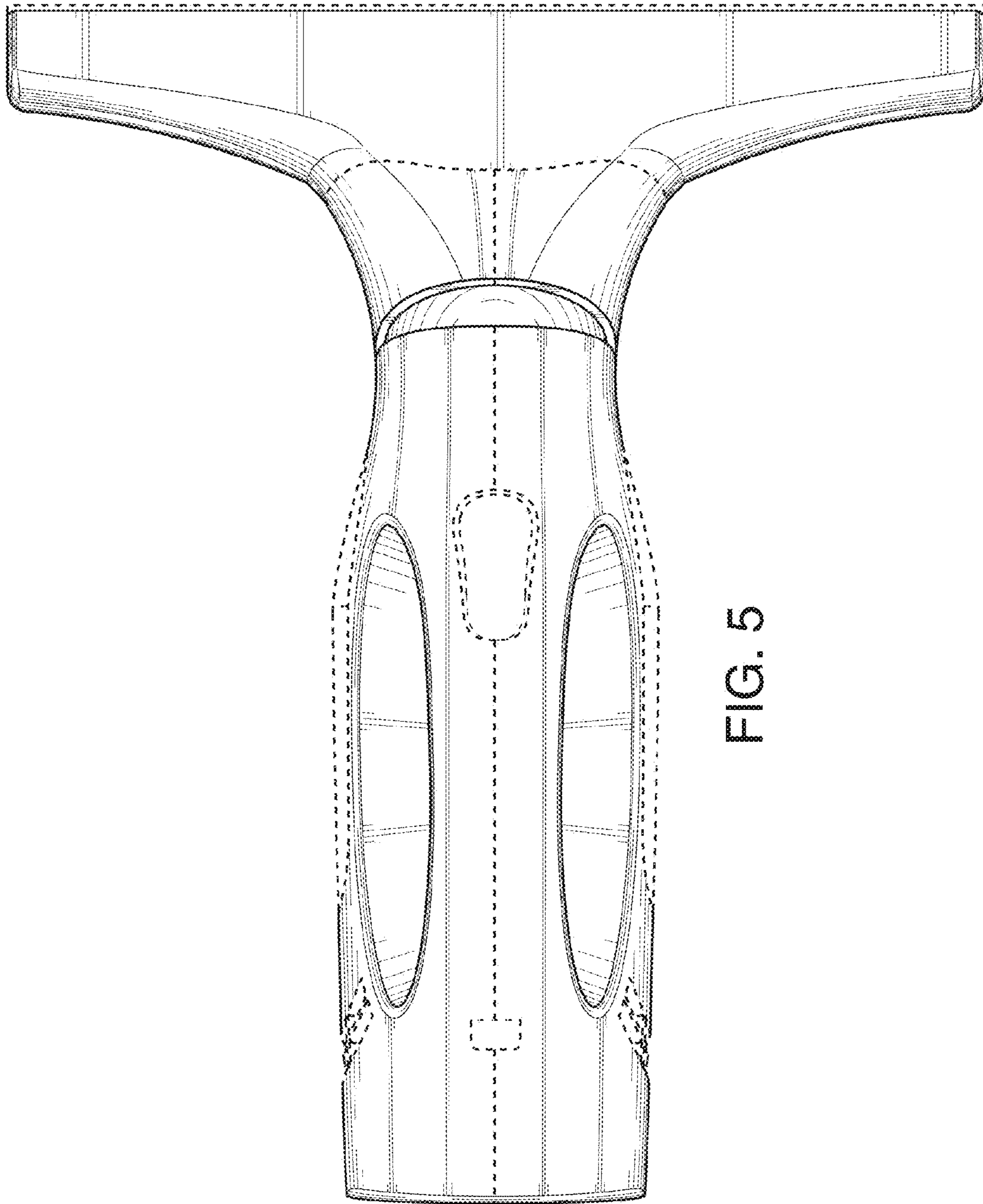


FIG. 5

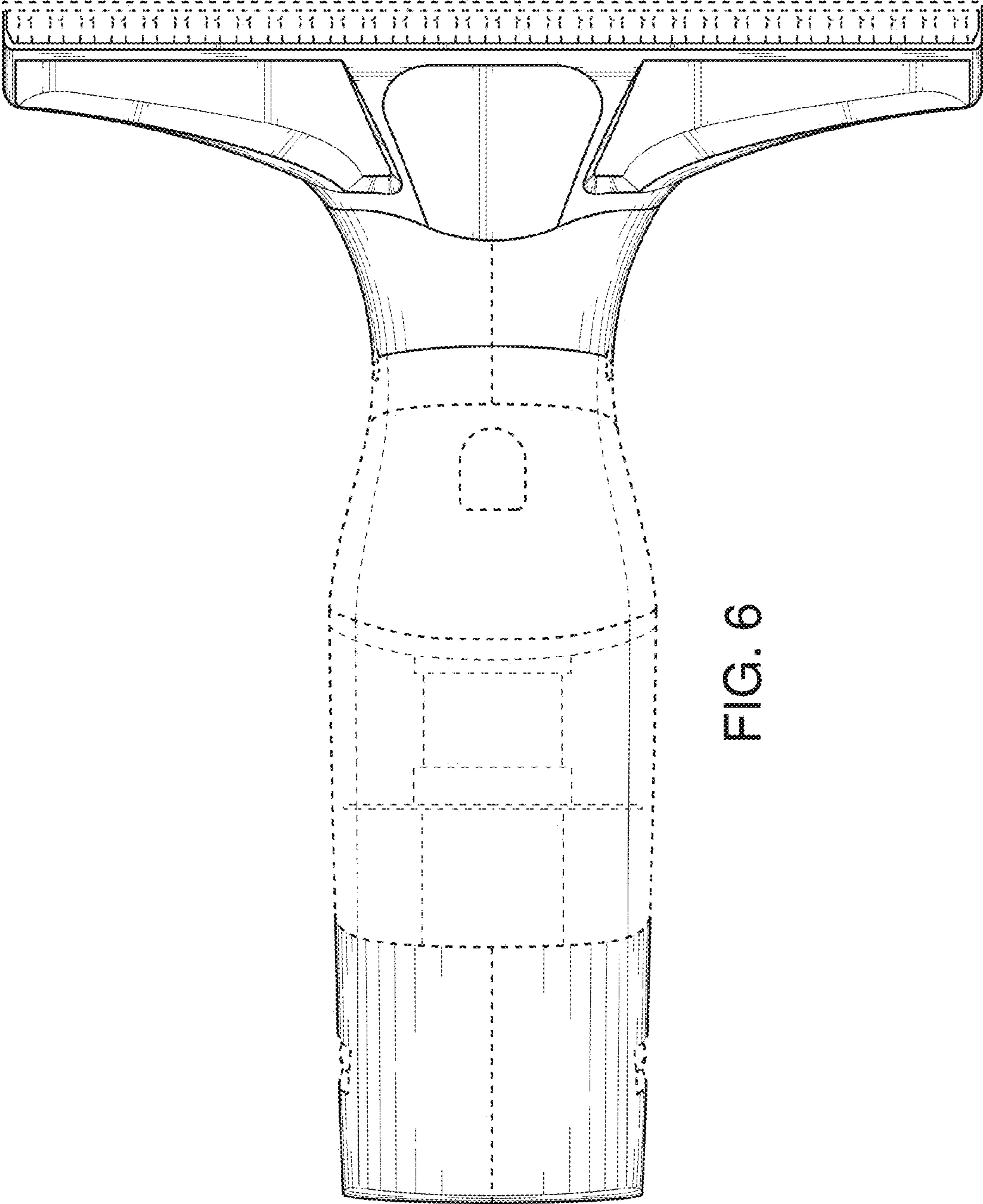


FIG. 6