



US00D753353S

(12) **United States Design Patent**  
**Kim et al.**

(10) **Patent No.:** **US D753,353 S**  
(45) **Date of Patent:** **\*\* Apr. 5, 2016**

(54) **WASHING MACHINE**

(71) Applicant: **Samsung Electronics Co., Ltd.**,  
Suwon-si (KR)

(72) Inventors: **Kang-Doo Kim**, Seoul (KR); **Jinnam Kim**, Suwon-si (KR); **Sungjae Lee**, Kwangmyung-si (KR); **Chris Bangle**, Clavesana (IT)

(73) Assignee: **Samsung Electronics Co., Ltd.**,  
Suwon-si (KR)

(\*\*) Term: **14 Years**

(21) Appl. No.: **29/523,946**

(22) Filed: **Apr. 15, 2015**

**Related U.S. Application Data**

(63) Continuation of application No. 29/483,018, filed on Feb. 25, 2014, now Pat. No. Des. 730,596.

**Foreign Application Priority Data**

Sep. 2, 2013 (KR) ..... 30-2013-0045144

(51) **LOC (10) Cl.** ..... **15-05**

(52) **U.S. Cl.**  
USPC ..... **D32/6**

(58) **Field of Classification Search**  
USPC ..... D32/1, 5-6, 8  
CPC ... D06F 33/02; D06F 39/02; D06F 2204/065;  
D06F 25/00; D06F 35/006  
See application file for complete search history.

(56) **References Cited**

**U.S. PATENT DOCUMENTS**

D450,164 S 11/2001 Dyson et al.  
D457,992 S 5/2002 Baldwin et al.  
D459,844 S 7/2002 Baldwin et al.  
D465,622 S \* 11/2002 Wang ..... D32/6

D477,898 S 7/2003 Geyer  
D517,257 S 3/2006 Kim et al.  
D517,258 S 3/2006 Ha et al.  
D517,259 S 3/2006 Ha et al.  
D518,251 S 3/2006 Kwon et al.

(Continued)

**FOREIGN PATENT DOCUMENTS**

KR 30-0441662 S 2/2007  
KR 30-0462334 S 9/2007

(Continued)

**OTHER PUBLICATIONS**

Russian Office Action issued on Oct. 28, 2014 in the Russian Patent Office in corresponding Russian Design Application No. 2014500813 (5 pages and a complete English Translation).

*Primary Examiner* — T. Chase Nelson

*Assistant Examiner* — Michelle E Wilson

(74) *Attorney, Agent, or Firm* — NSIP Law

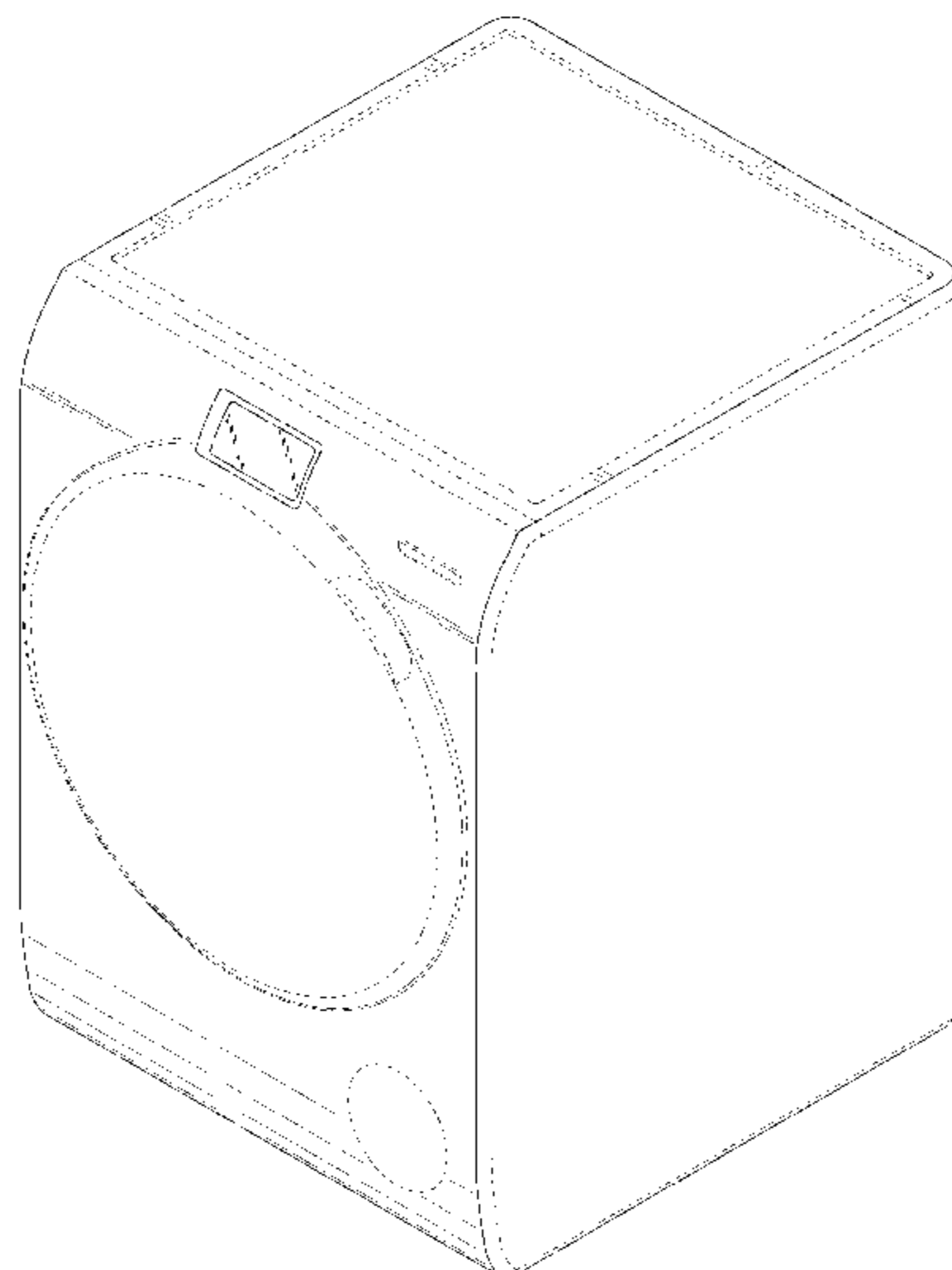
(57) **CLAIM**

We claim the ornamental design for a washing machine, as shown and described.

**DESCRIPTION**

FIG. 1 is a front perspective view of a washing machine showing our new design;  
FIG. 2 is a front view thereof;  
FIG. 3 is a rear view thereof;  
FIG. 4 is a left-side view thereof;  
FIG. 5 is a right-side view thereof;  
FIG. 6 is a top view thereof; and,  
FIG. 7 is a bottom view thereof.  
The shade lines in the figures show contour and not surface ornamentation.  
The broken lines in the figures show portions of the washing machine which form no part of the claimed design.

**1 Claim, 7 Drawing Sheets**



(56)

**References Cited**

U.S. PATENT DOCUMENTS

D529,242 S 9/2006 Ha et al.  
 D537,577 S \* 2/2007 Nam ..... D32/6  
 D549,898 S 8/2007 Suh  
 D549,899 S 8/2007 Suh  
 D556,956 S \* 12/2007 Kim ..... D32/6  
 D556,957 S \* 12/2007 Shin ..... D32/6  
 D556,958 S \* 12/2007 Kwon ..... D32/6  
 D648,907 S 11/2011 Jeon et al.  
 8,117,872 B2 \* 2/2012 Jeong ..... D06F 33/02  
 68/12.27  
 8,468,631 B2 \* 6/2013 Farid ..... D06F 37/225  
 68/12.27

8,713,975 B2 \* 5/2014 Motamedi ..... D06F 33/00  
 68/12.23  
 D731,126 S \* 6/2015 Ha ..... D32/6  
 D731,129 S \* 6/2015 Ha ..... D32/6  
 D732,763 S \* 6/2015 Hwang ..... D32/6  
 D735,424 S \* 7/2015 Ha ..... D32/6  
 9,080,274 B2 \* 7/2015 Kim ..... D06F 33/02  
 2011/0265271 A1 \* 11/2011 Kim ..... D06F 37/42  
 8/137

FOREIGN PATENT DOCUMENTS

RU 62024 3/2007  
 RU 63070 6/2007

\* cited by examiner

FIG. 1

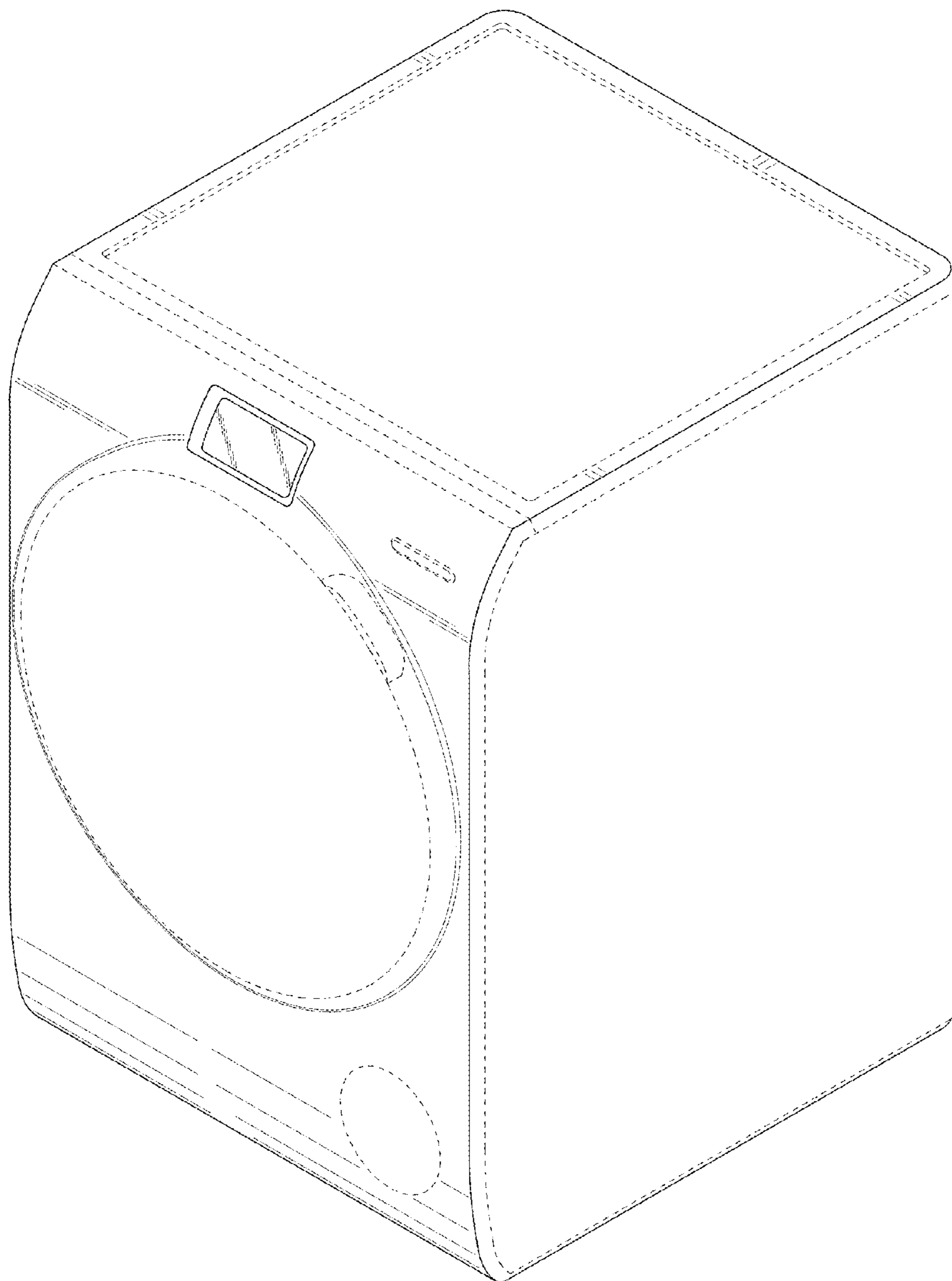


FIG. 2

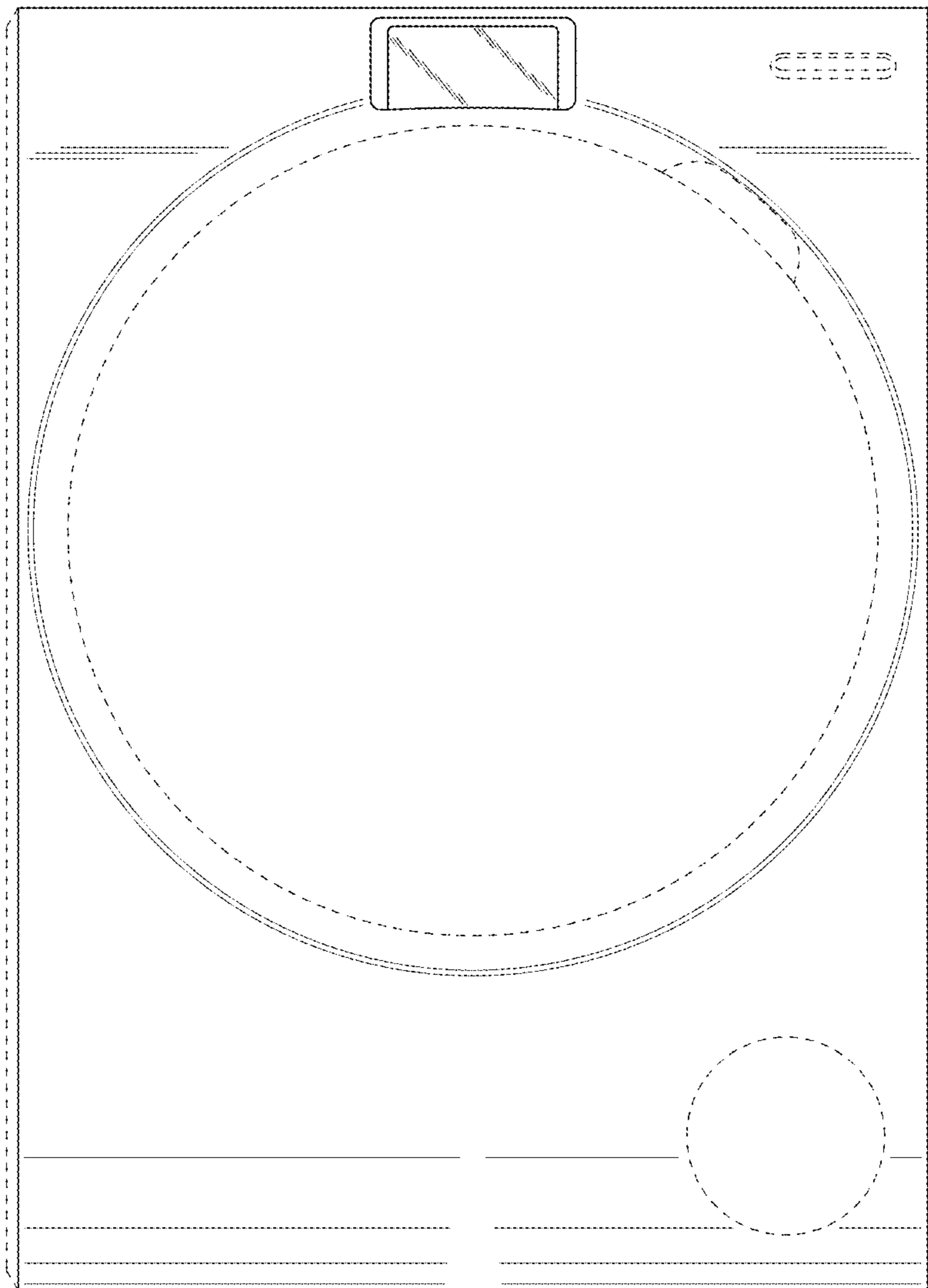


FIG. 3



FIG. 4

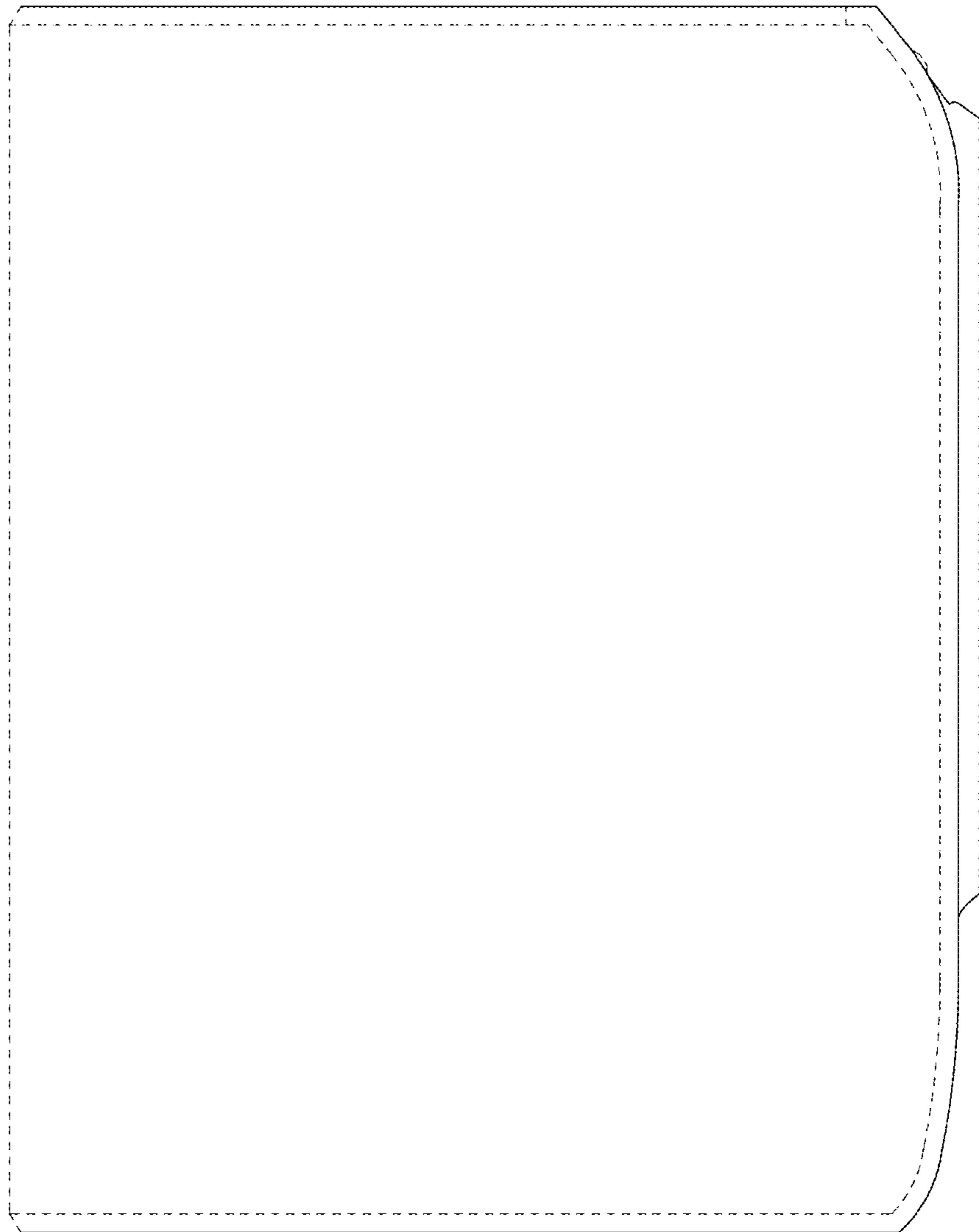


FIG. 5

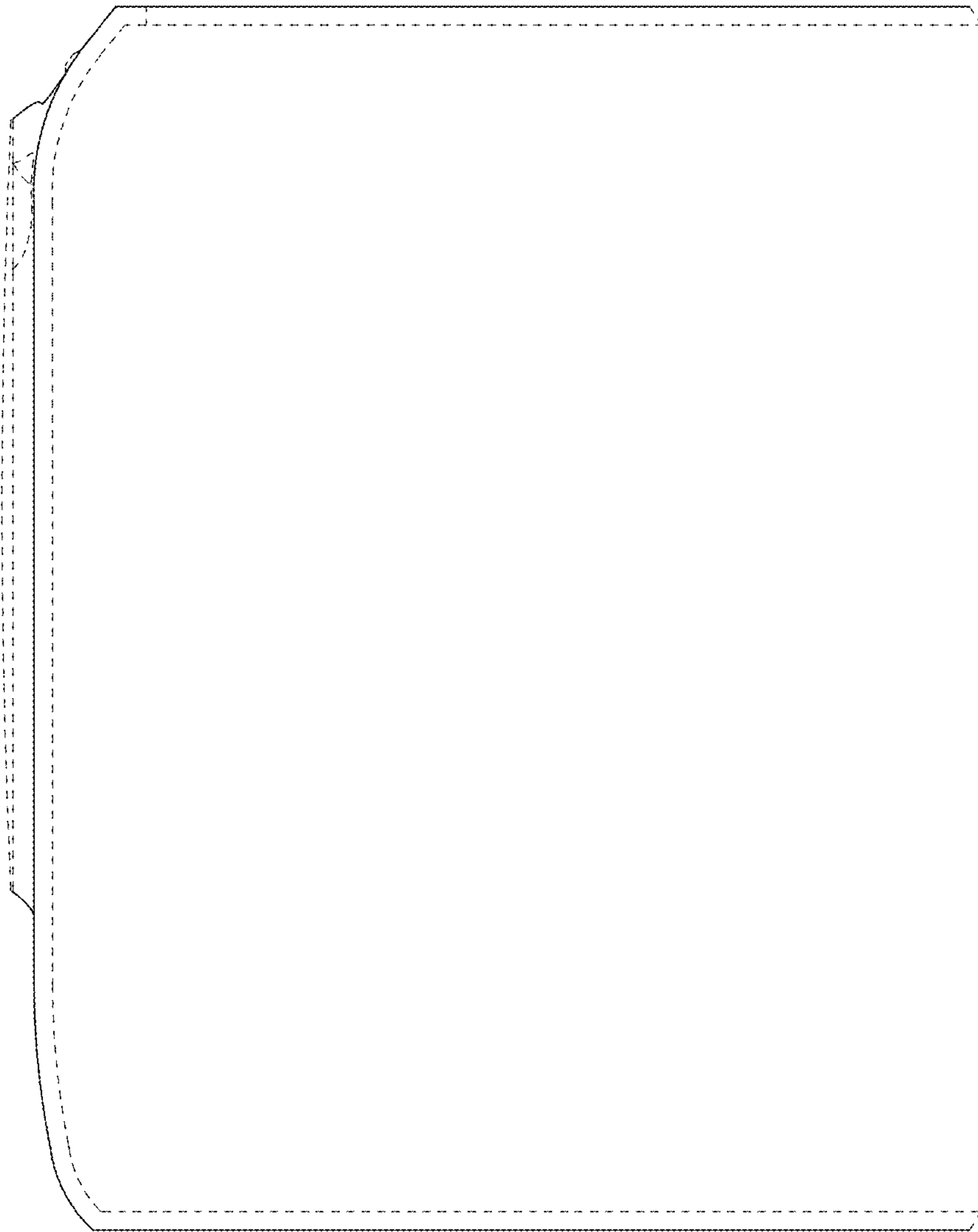


FIG. 6

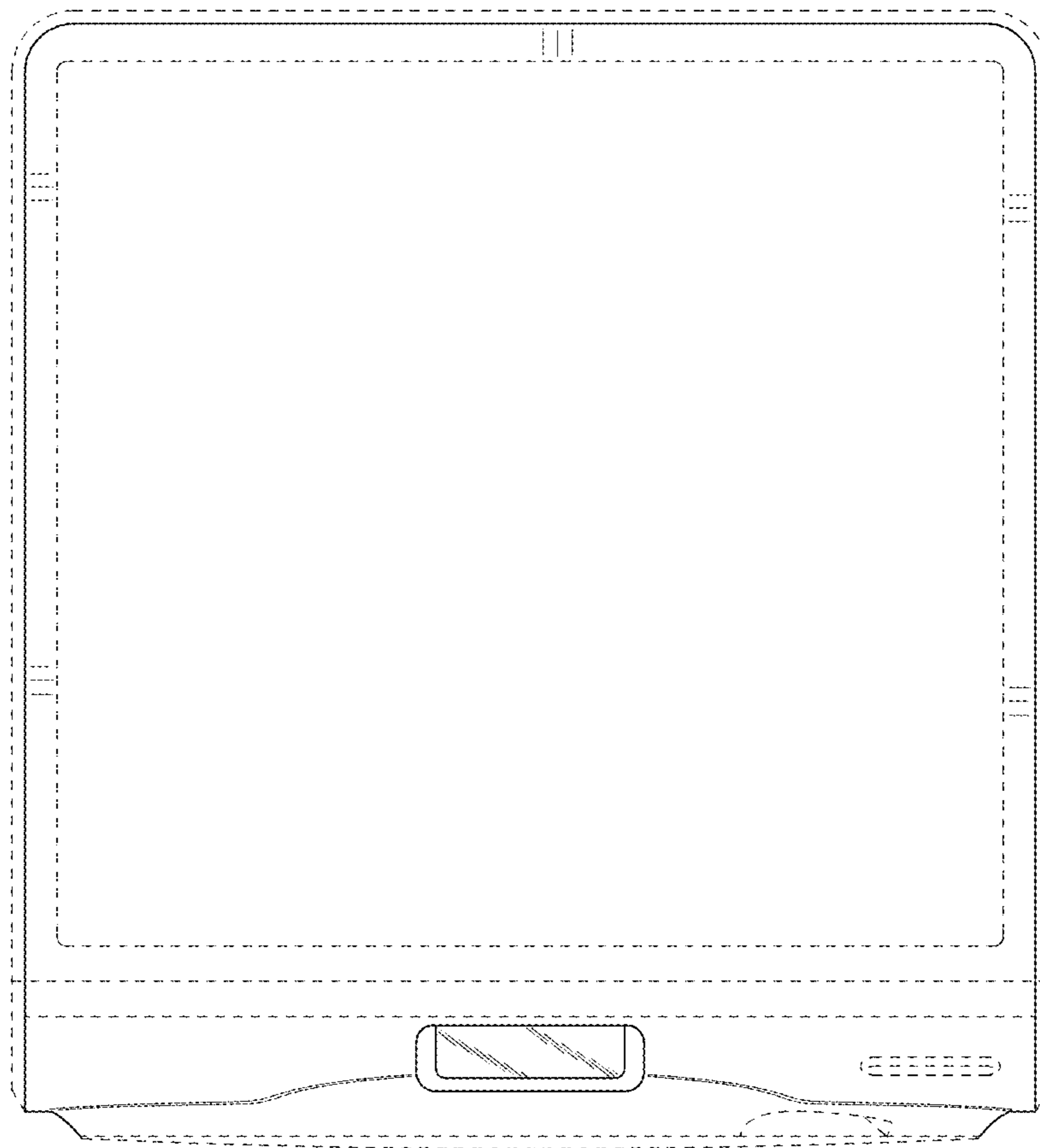




FIG. 7

