



US00D753352S

(12) **United States Design Patent**  
**Collins**

(10) **Patent No.:** **US D753,352 S**  
(45) **Date of Patent:** **\*\* Apr. 5, 2016**

(54) **EQUINE MASK**  
(71) Applicant: **Tonda Collins**, Blanchard, OK (US)  
(72) Inventor: **Tonda Collins**, Blanchard, OK (US)  
(\*\*) Term: **14 Years**  
(21) Appl. No.: **29/503,259**  
(22) Filed: **Sep. 24, 2014**  
(51) **LOC (10) Cl.** ..... **30-99**  
(52) **U.S. Cl.**  
USPC ..... **D30/199**

(58) **Field of Classification Search**  
USPC ..... D30/199, 144, 145, 151, 152; 119/850,  
119/860; 54/80.1-80.5, 1;  
128/206.21-206.28, 200.21-200.23,  
128/200.14, 203.11-203.13;  
D24/110.1-110.6  
CPC ..... A61D 7/00; A61D 7/04; A01K 25/00;  
A62B 18/06; A63B 2208/14; A61M 2250/00;  
A61M 15/0086; A61M 16/06; A61M 16/208;  
A61M 16/209; Y10S 128/914  
See application file for complete search history.

(56) **References Cited**

**U.S. PATENT DOCUMENTS**

405,883 A \* 6/1889 Gard ..... A61M 16/18  
128/203.25  
533,127 A \* 1/1895 Horton ..... A61M 16/06  
128/203.29  
731,973 A \* 6/1903 Teter ..... A61M 16/06  
128/207.12  
1,812,380 A \* 6/1931 Stelzner ..... A62B 18/06  
128/205.27  
2,312,714 A \* 3/1943 Herbin ..... A62B 18/06  
128/206.15  
2,381,568 A \* 8/1945 Booharin ..... A62B 18/02  
128/201.15  
2,811,966 A \* 11/1957 Hull ..... A61D 7/04  
128/201.23

2,843,119 A \* 7/1958 Glasser ..... A61D 7/04  
128/205.17  
3,232,292 A \* 2/1966 Schaefer ..... A61M 15/02  
128/200.14  
3,490,452 A \* 1/1970 Greenfield ..... A61M 15/00  
128/200.23  
3,491,755 A \* 1/1970 Barghini ..... B68B 5/00  
128/201.13  
3,556,122 A \* 1/1971 Laerdal ..... A61M 16/208  
128/205.24  
3,990,401 A \* 11/1976 Langguth ..... A01K 15/02  
116/26  
4,002,167 A \* 1/1977 Rambosek ..... A61D 7/04  
128/206.24  
4,513,741 A \* 4/1985 Demi ..... A61D 7/04  
128/205.25  
4,546,768 A \* 10/1985 Ferierabend ..... A61D 7/04  
128/200.16

(Continued)

**FOREIGN PATENT DOCUMENTS**

DE WO 02094122 A2 \* 11/2002 ..... A61D 7/04  
*Primary Examiner* — Susan Moon Lee  
(74) *Attorney, Agent, or Firm* — Smith Moore Leatherwood  
LLP; Thomas W. Epting

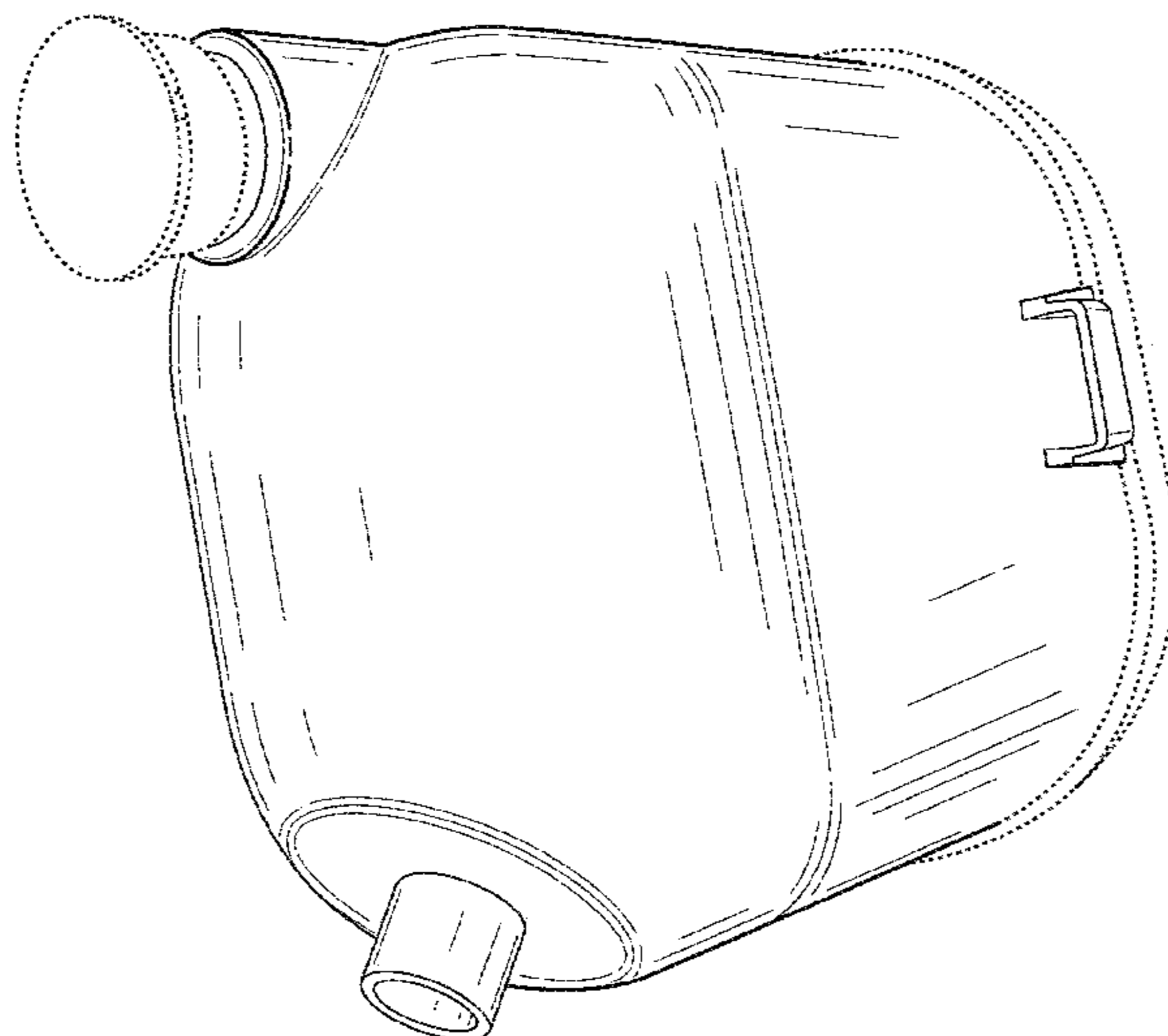
(57) **CLAIM**

The ornamental design for an equine mask, as shown and described.

**DESCRIPTION**

FIG. 1 is a perspective view of an embodiment of an equine mask showing my new design;  
FIG. 2 is a left side elevational view thereof;  
FIG. 3 is a right side elevational view thereof;  
FIG. 4 is a top plan view thereof;  
FIG. 5 is a bottom plan view thereof;  
FIG. 6 is a front elevational view thereof; and,  
FIG. 7 is a rear elevational view thereof.  
Broken lines and unshaded portions contained within broken lines are not claimed.

**1 Claim, 7 Drawing Sheets**



(56)

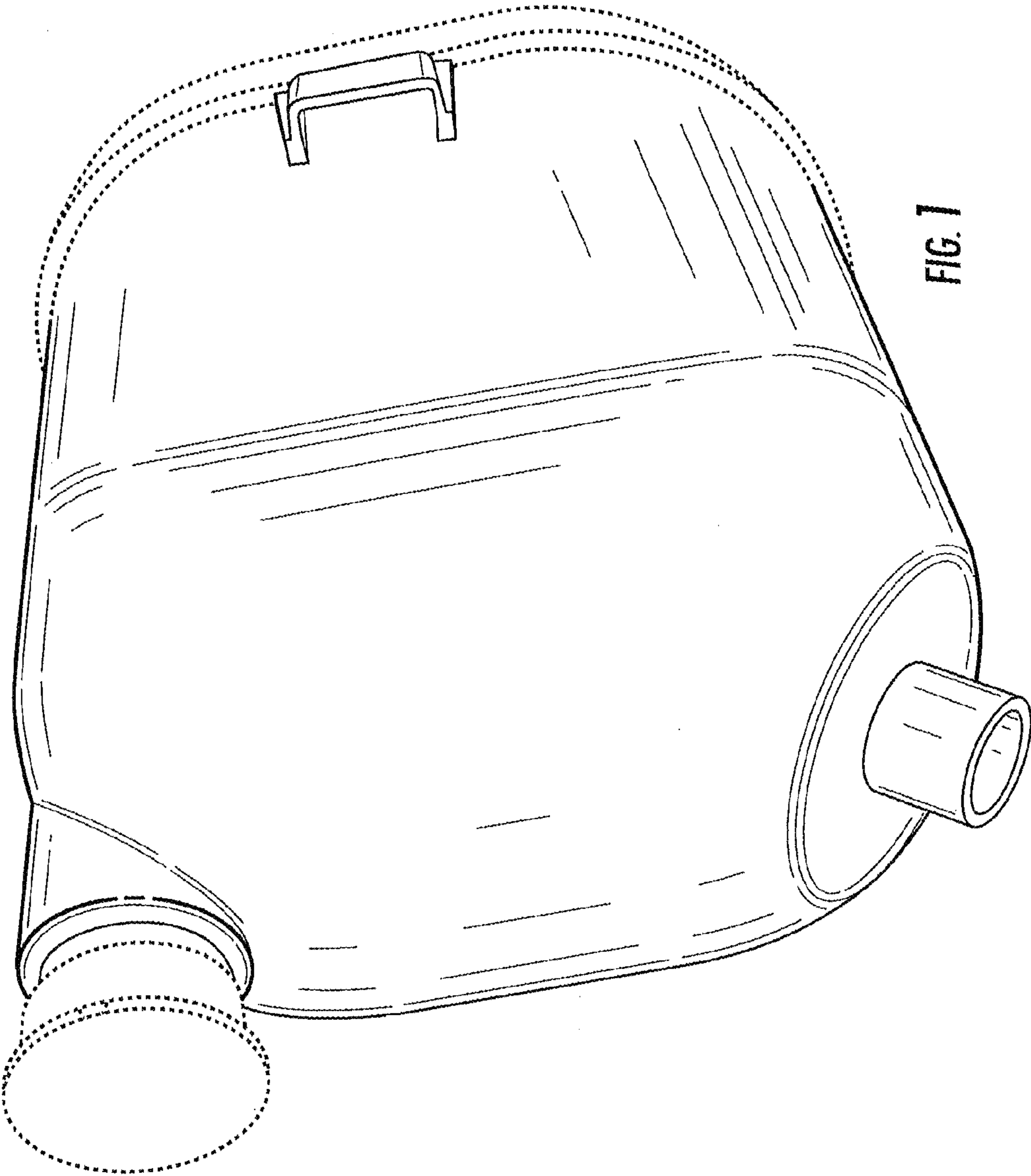
**References Cited**

U.S. PATENT DOCUMENTS

4,577,628 A \* 3/1986 Hickmann ..... A61D 7/04  
128/200.14  
4,722,334 A \* 2/1988 Blackmer ..... A61D 7/04  
128/203.16  
4,726,174 A \* 2/1988 Wilson ..... A62B 18/06  
128/207.11  
4,811,730 A \* 3/1989 Milano ..... A61M 16/0048  
128/202.28  
4,832,015 A \* 5/1989 Nowacki ..... A61M 15/00  
128/203.29  
4,865,027 A \* 9/1989 Laanen ..... A61M 15/0086  
128/200.21  
4,938,209 A \* 7/1990 Fry ..... A61M 16/0825  
128/200.21  
4,953,546 A \* 9/1990 Blackmer ..... A61D 7/04  
128/203.16  
4,955,372 A \* 9/1990 Blackmer ..... A61D 7/04  
128/203.16  
5,186,165 A \* 2/1993 Swann ..... A62B 19/02  
128/201.25  
5,249,570 A \* 10/1993 Cox ..... A01K 25/00  
128/203.25  
5,341,627 A \* 8/1994 Eby ..... A01K 13/006  
119/654

5,586,551 A \* 12/1996 Hilliard ..... A61M 11/06  
128/200.14  
5,645,049 A \* 7/1997 Foley ..... A61M 15/00  
128/200.23  
5,666,948 A \* 9/1997 Matson ..... A61M 15/08  
128/200.23  
D388,873 S \* 1/1998 Richards ..... D24/110.4  
5,765,553 A \* 6/1998 Richards ..... A61M 15/0016  
128/200.14  
6,349,725 B1 \* 2/2002 Perkins ..... A61D 7/04  
128/206.21  
7,004,162 B1 \* 2/2006 Foley ..... A61M 15/00  
128/200.14  
7,726,302 B1 \* 6/2010 Nielsen ..... A61D 7/04  
128/200.14  
2004/0250816 A1 \* 12/2004 Kummer ..... A61D 7/04  
128/205.25  
2009/0223517 A1 \* 9/2009 Barney ..... A61D 7/04  
128/203.29  
2011/0290240 A1 \* 12/2011 Meyer ..... A61M 11/06  
128/200.14  
2012/0203125 A1 \* 8/2012 Moran ..... A61D 7/04  
600/532

\* cited by examiner



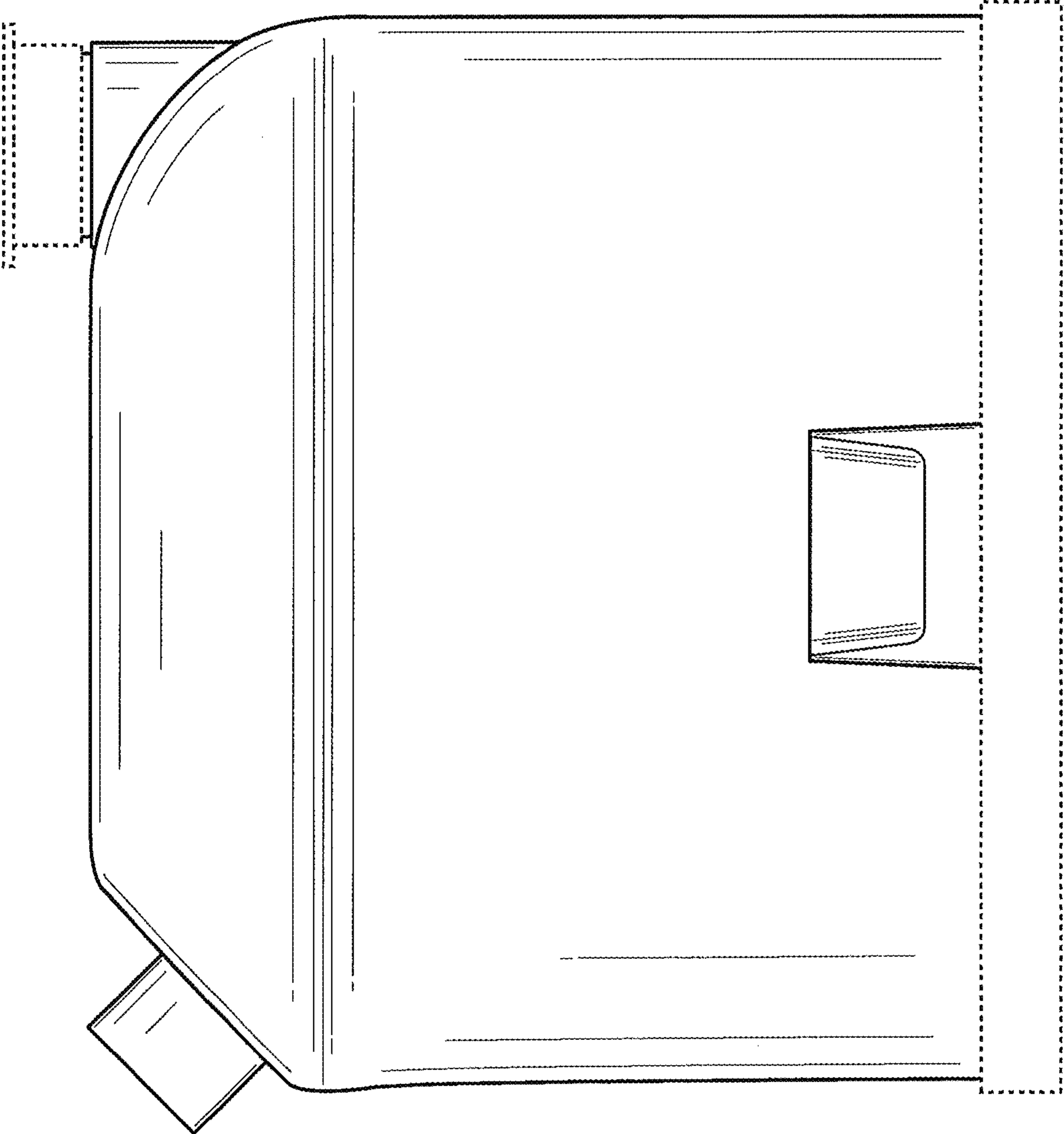


FIG. 2

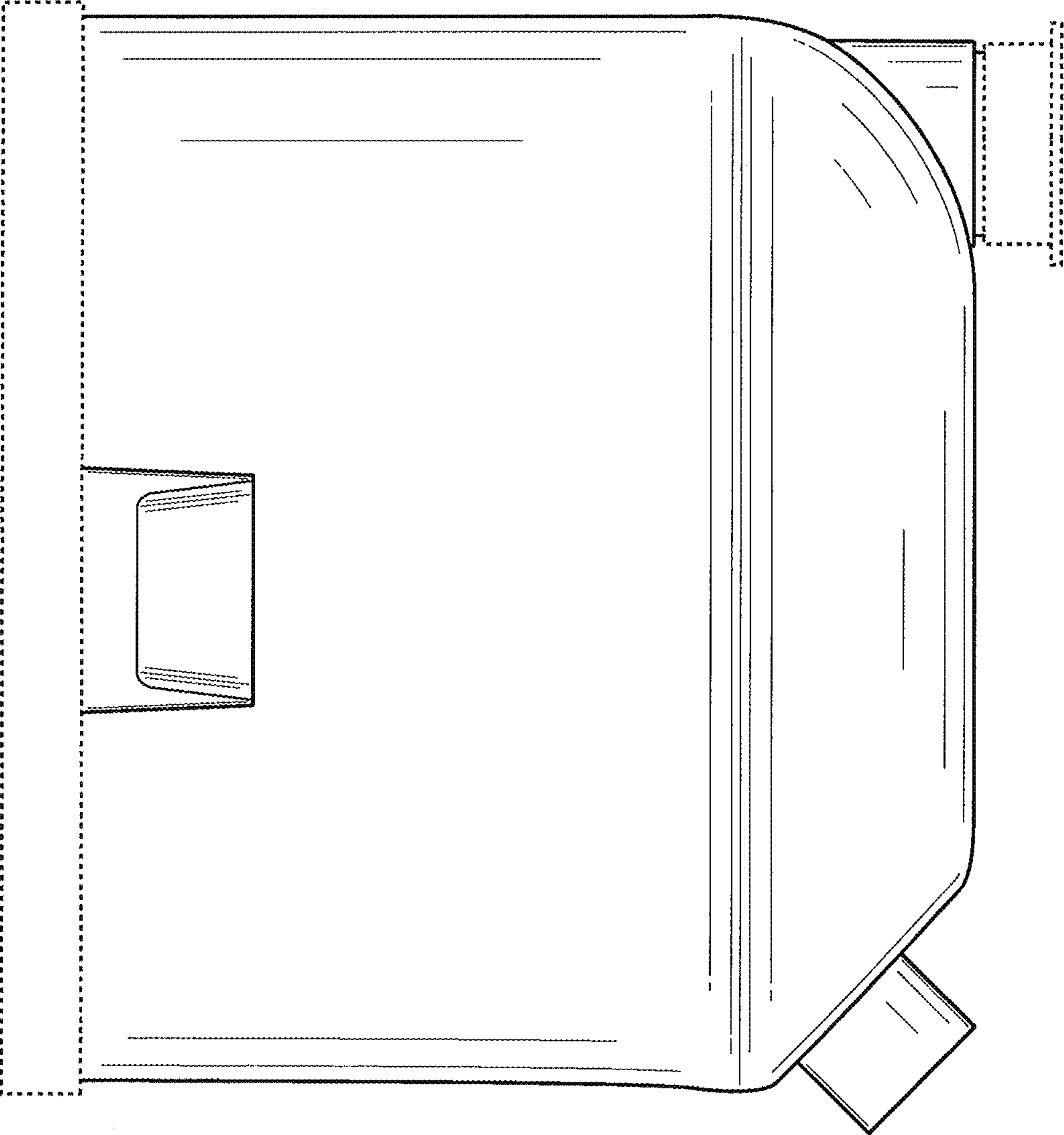


FIG. 3

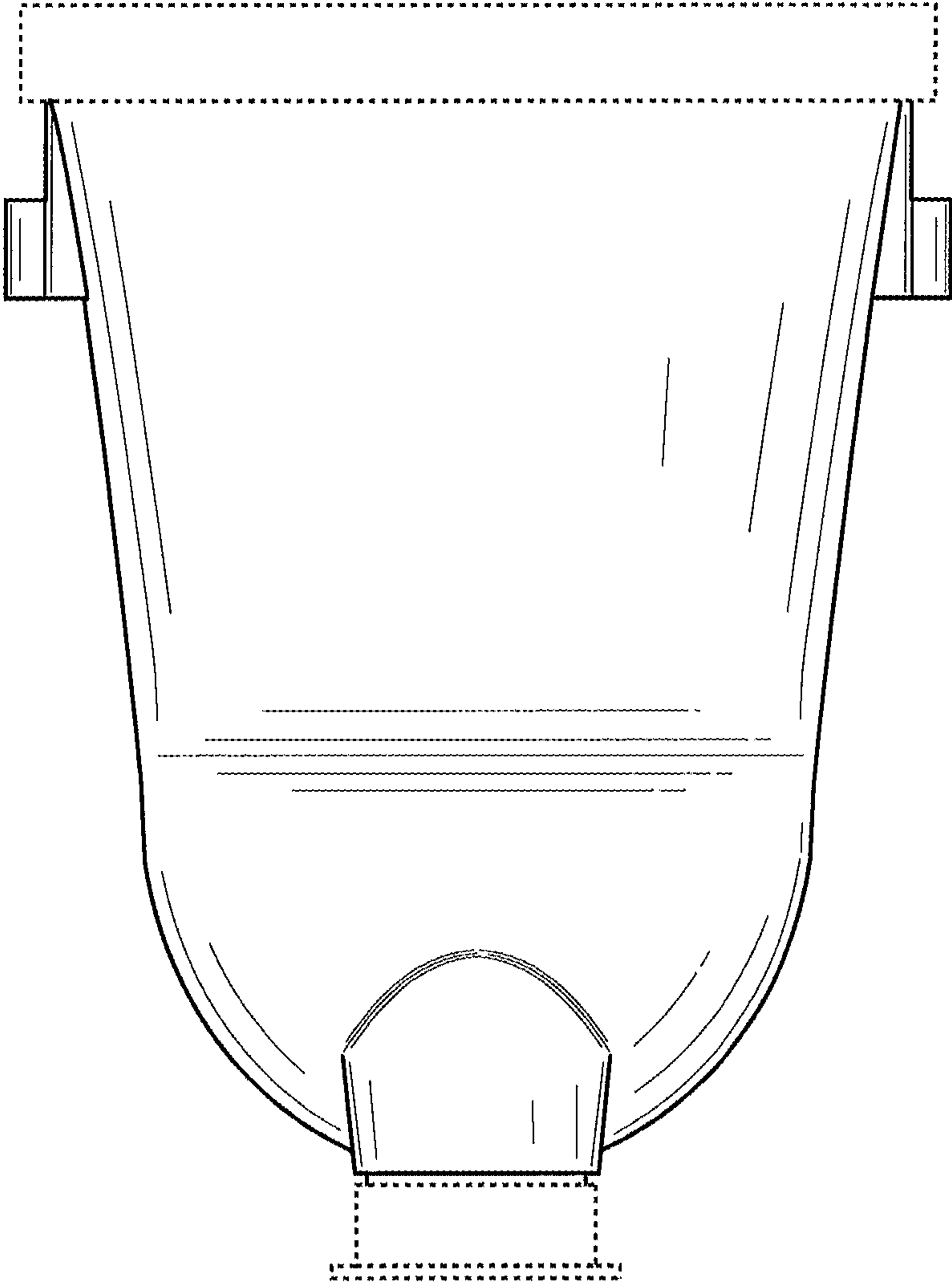


FIG. 4

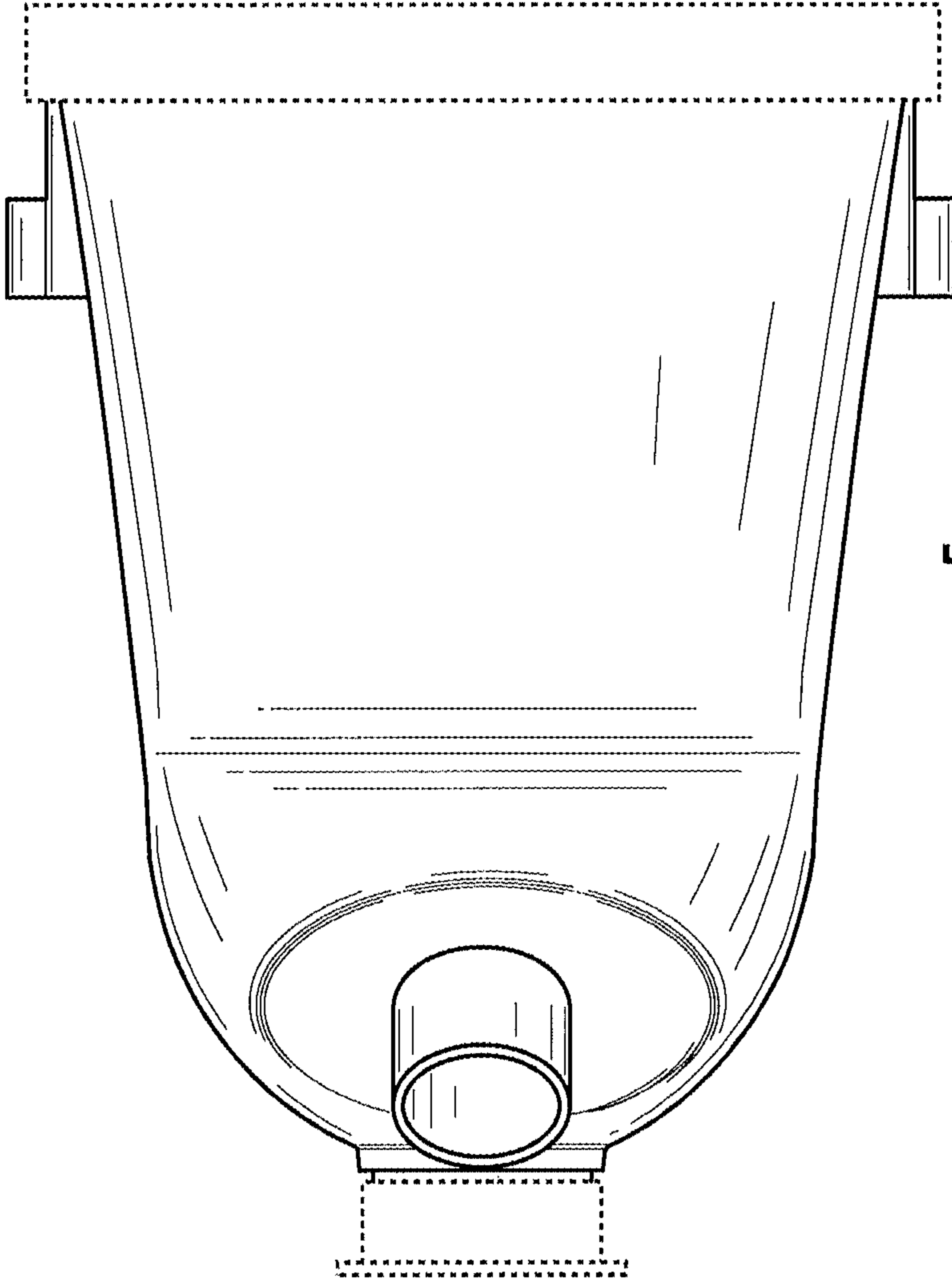


FIG. 5

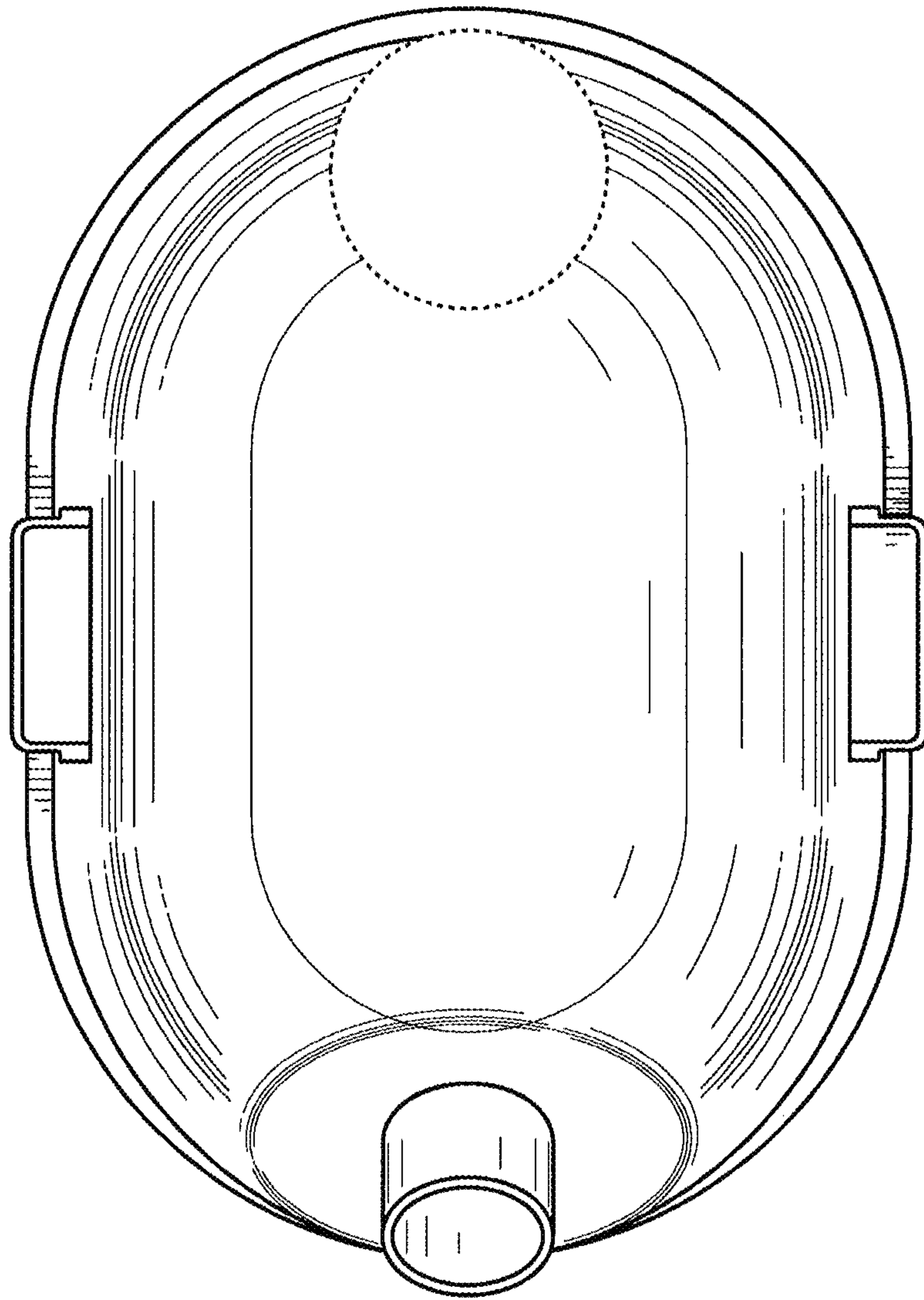


FIG. 6



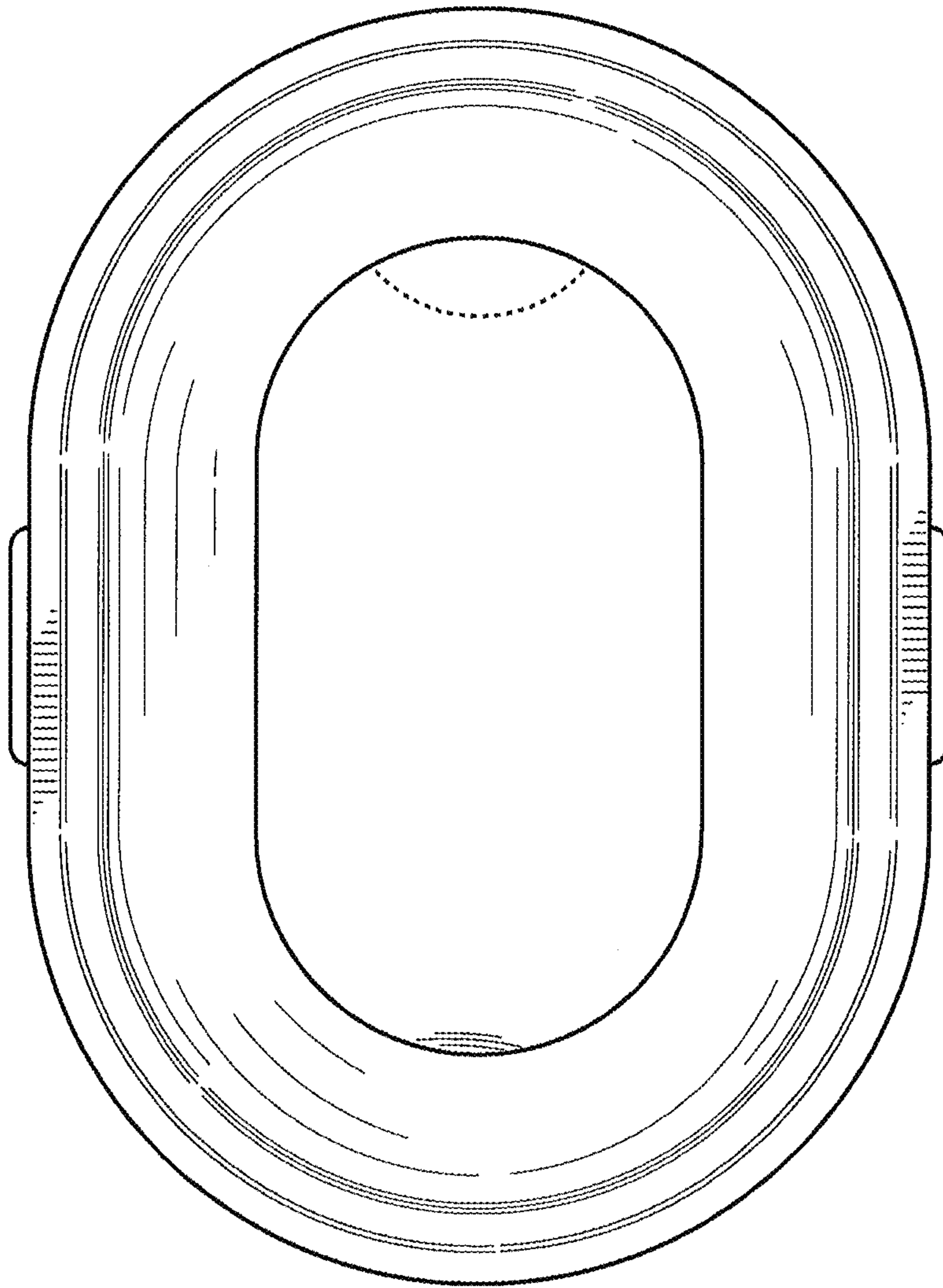


FIG. 7