



US00D753349S

(12) **United States Design Patent**
Sung

(10) **Patent No.:** **US D753,349 S**

(45) **Date of Patent:** **** Apr. 5, 2016**

(54) **PET FEEDER**

(71) Applicant: **ZILLIANS INC.**, GrandCayman (KY)

(72) Inventor: **Mu-Chi Sung**, Taipei (TW)

(73) Assignee: **Zillians Inc.**, Grand Cayman (KY)

(**) Term: **14 Years**

(21) Appl. No.: **29/515,073**

(22) Filed: **Jan. 20, 2015**

(51) **LOC (10) Cl.** **30-07**

(52) **U.S. Cl.**
USPC **D30/122**

(58) **Field of Classification Search**

USPC D30/121, 122, 129-133; 119/61.5,
119/51.01, 61.56, 51.03, 59, 62, 63, 51.5,
119/57.8, 74, 61.54, 61.55, 53, 53.5, 75,
119/56.2, 51.02, 51.11, 51.12, 57.1, 52.1,
119/515; 312/204; 248/151, 188;
108/153.1-157; 220/23.87, 630, 737,
220/743, 9.4, 495.01, 574, 212, 255, 23.83;
206/515; D7/586, 543, 550.1, 587,
D7/505, 584, 545, 500, 553.1-553.8, 546,
D7/555, 556, 504, 565, 562, 602, 605, 312,
D7/313, 320, 307, 306, 309, 354, 311, 399,
D7/397, 323, 332, 331, 347, 346, 322, 318,
D7/317, 316, 619.1; D9/429; 43/109;
D22/122; 99/430, DIG. 15, 280, 285,
99/312; 222/209, 131, 363, 349, 517,
222/153.13, 401, 1, 146.5, 23, 54, 64, 51,
222/156, 399, 400.8; 219/438, 439, 441,
219/385, 386, 402, 407; 210/94, 184, 474,
210/477

CPC A01K 5/02; A01K 5/0225; A01K 5/0114;
A01K 5/025; A01K 5/0266; A01K 5/0275;
A01K 5/0283; A01K 5/0291; A01K 5/0258;
A01K 7/00; G01F 11/24; G01F 23/02; B67D
1/0425; B67D 1/04; B67D 1/00; B67D 1/02;
B67D 1/0871; B67D 1/0802; A47J 41/0033;
A47J 41/005; A47J 41/0088; A47J 41/0094;

A47J 31/04; A47J 31/053; B05B 11/00;
B05B 11/0002; B05B 11/0005; B05B 11/001;
C02F 1/003; C02F 1/283; C02F 2307/02
See application file for complete search history.

(56) **References Cited**

U.S. PATENT DOCUMENTS

| | | | | |
|-----------|-----|---------|---------------|----------|
| 3,121,419 | A * | 2/1964 | Gillespie | 119/62 |
| 3,176,656 | A * | 4/1965 | Bates | 119/62 |
| 3,301,219 | A * | 1/1967 | Hellekson | 119/55 |
| D217,060 | S * | 3/1970 | Wilson | D30/129 |
| 3,568,893 | A * | 3/1971 | Becker | 222/363 |
| 3,763,826 | A * | 10/1973 | Portelli | 119/52.1 |
| 4,147,133 | A * | 4/1979 | Molnar et al. | 119/55 |
| 4,175,516 | A * | 11/1979 | Savage | 119/62 |

(Continued)

Primary Examiner — Susan Moon Lee

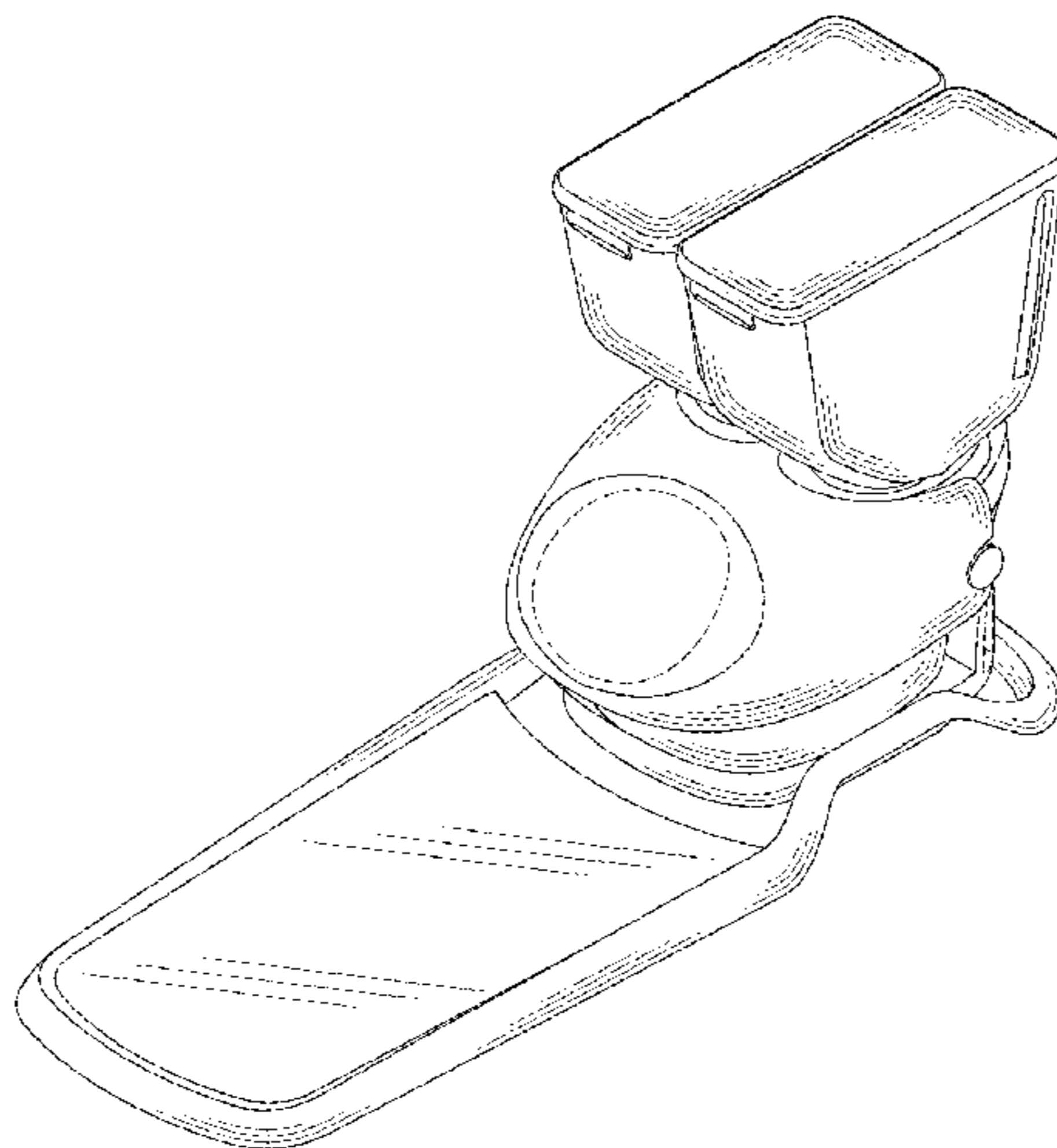
(57) **CLAIM**

The ornamental design for pet feeder, as shown and described.

DESCRIPTION

FIG. 1 is a front perspective view of a pet feeder in accordance with our new design;
FIG. 2 is a front view thereof;
FIG. 3 is a rear view thereof;
FIG. 4 is an enlarged view of a central portion of the rear view shown in FIG. 3;
FIG. 5 is a left side view thereof;
FIG. 6 is a right side view thereof;
FIG. 7 is an enlarged view of a lower right portion of the right side view shown in FIG. 6;
FIG. 8 is a top plan view thereof; and,
FIG. 9 is a bottom plan view thereof.
The shading lines on extending floor panel of the pet feeder in FIGS. 1, 6 and 7 indicate a flat surface. The broken lines, which show portions of a pet feeder, form no part of the claimed design.

1 Claim, 9 Drawing Sheets



(56)

References Cited

U.S. PATENT DOCUMENTS

| | | | | | | | |
|---------------|---------|--------------------|----------|-------------------|---------|-----------------------|-----------|
| D257,692 S * | 12/1980 | Thayer | D30/121 | D371,643 S * | 7/1996 | Lillelund et al. | D30/122 |
| 4,389,976 A * | 6/1983 | Novak | 119/62 | 5,649,499 A * | 7/1997 | Krietzman et al. | 119/52.1 |
| D289,570 S * | 4/1987 | Hageney | D30/133 | 6,055,932 A * | 5/2000 | Weber | 119/52.1 |
| 4,721,063 A * | 1/1988 | Atchley | 119/52.1 | 6,622,656 B1 * | 9/2003 | Splane | 119/62 |
| 4,947,796 A * | 8/1990 | Robinette | 119/51.5 | 7,146,930 B1 * | 12/2006 | Ness | 119/77 |
| D348,336 S * | 6/1994 | Woo | D30/122 | 8,166,922 B2 * | 5/2012 | Jalbert et al. | 119/501 |
| 5,329,878 A * | 7/1994 | McCauley | 119/165 | D665,870 S * | 8/2012 | Fang | D23/201 |
| 5,349,925 A * | 9/1994 | Zerato et al. | 119/62 | D676,612 S * | 2/2013 | Wygle | D30/118 |
| 5,404,838 A * | 4/1995 | Khan | 119/52.1 | 2001/0032594 A1 * | 10/2001 | Bickley | 119/55 |
| | | | | 2006/0196433 A1 * | 9/2006 | Ness | 119/52.1 |
| | | | | 2009/0173282 A1 * | 7/2009 | Wu et al. | 119/51.02 |
| | | | | 2011/0220684 A1 * | 9/2011 | Webster et al. | 222/370 |

* cited by examiner

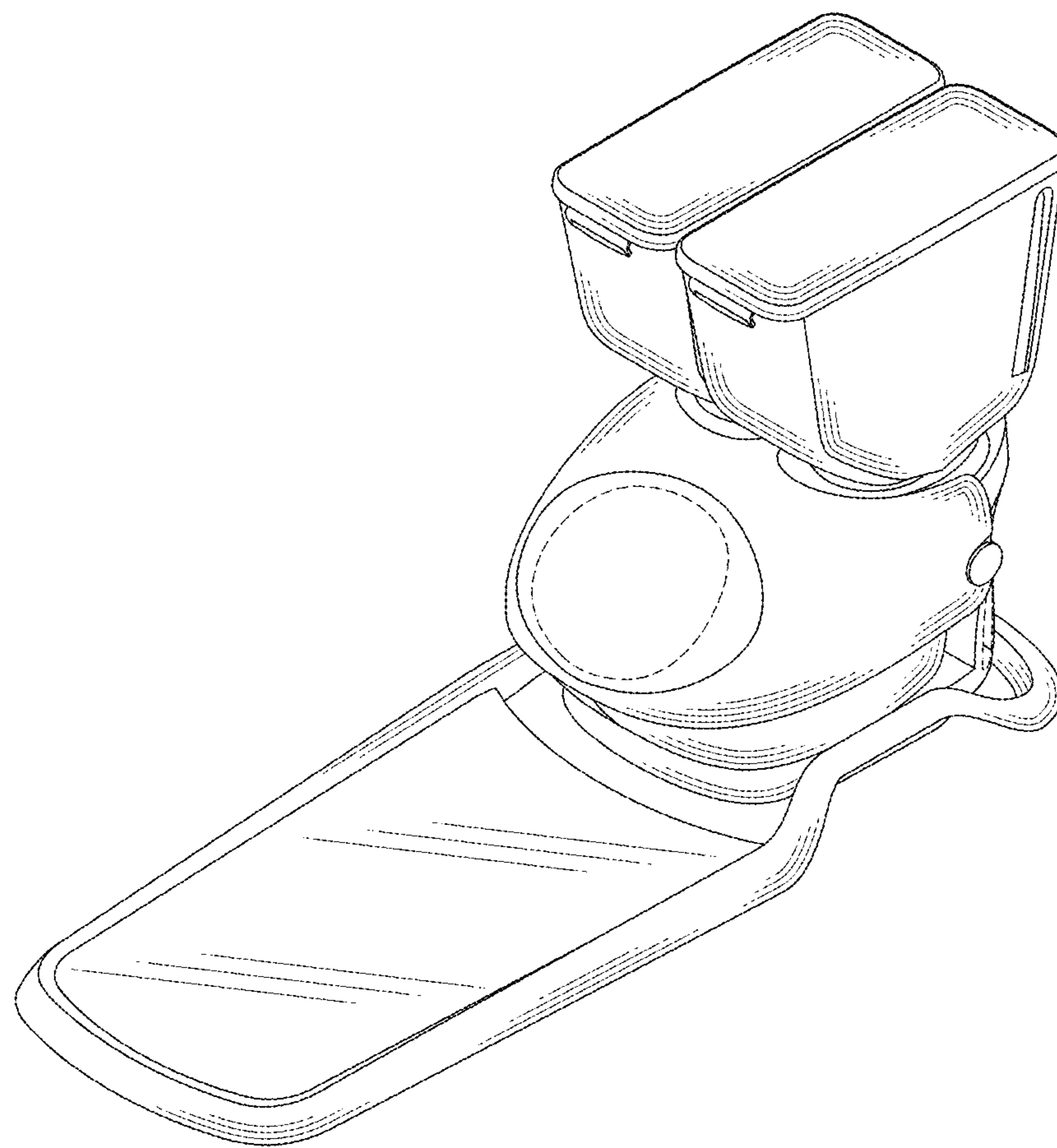


FIG. 1

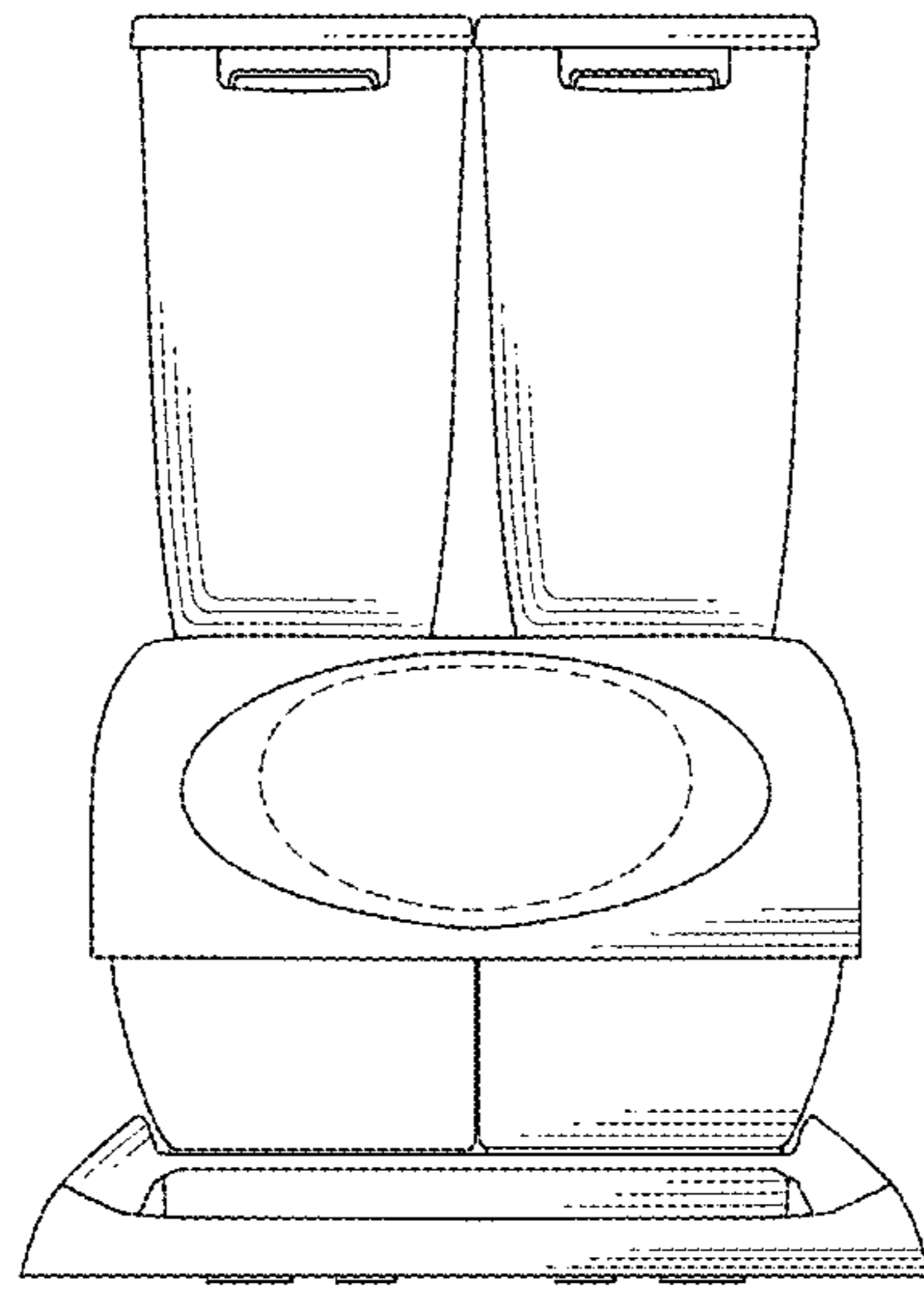


FIG. 2

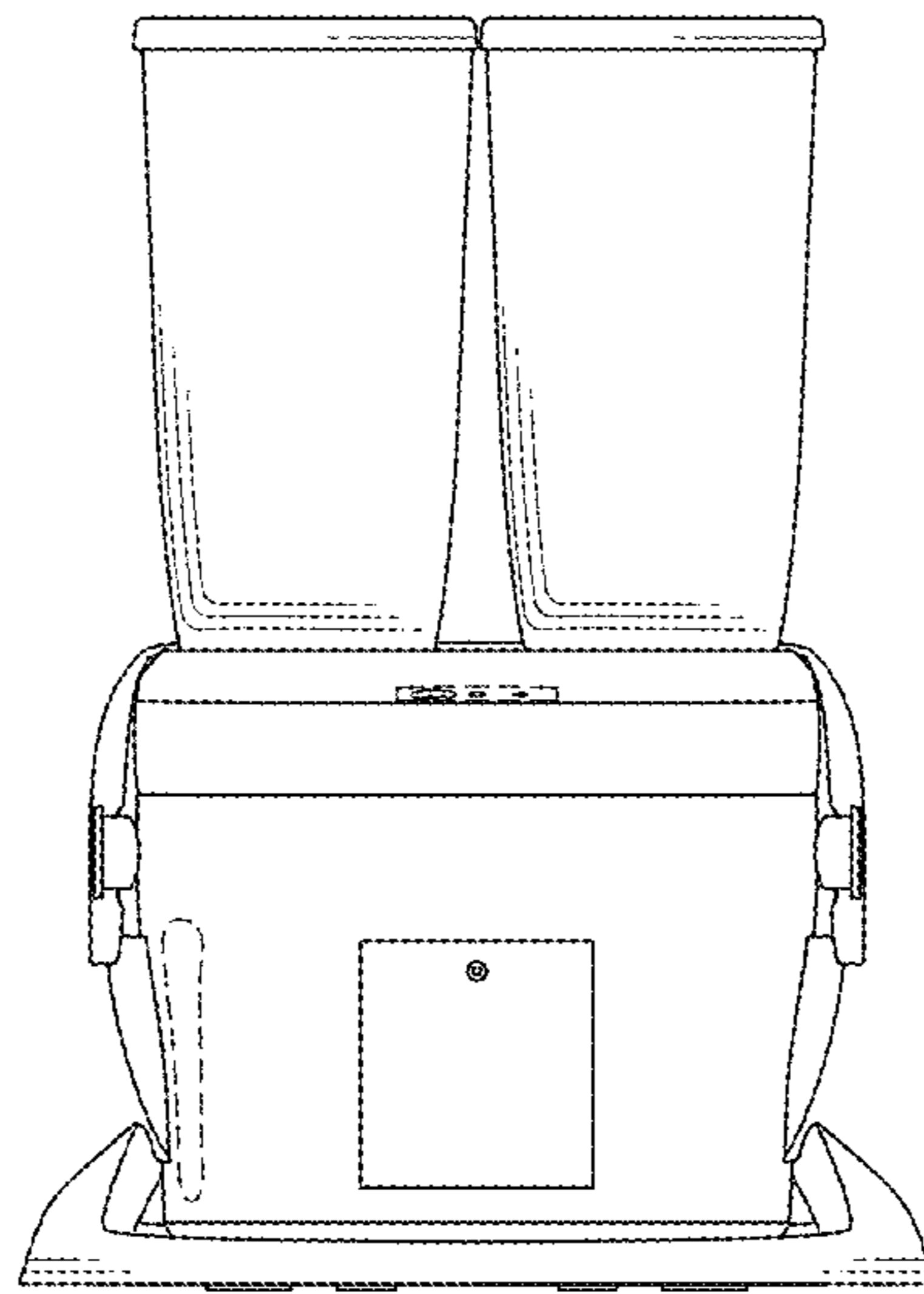


FIG. 3

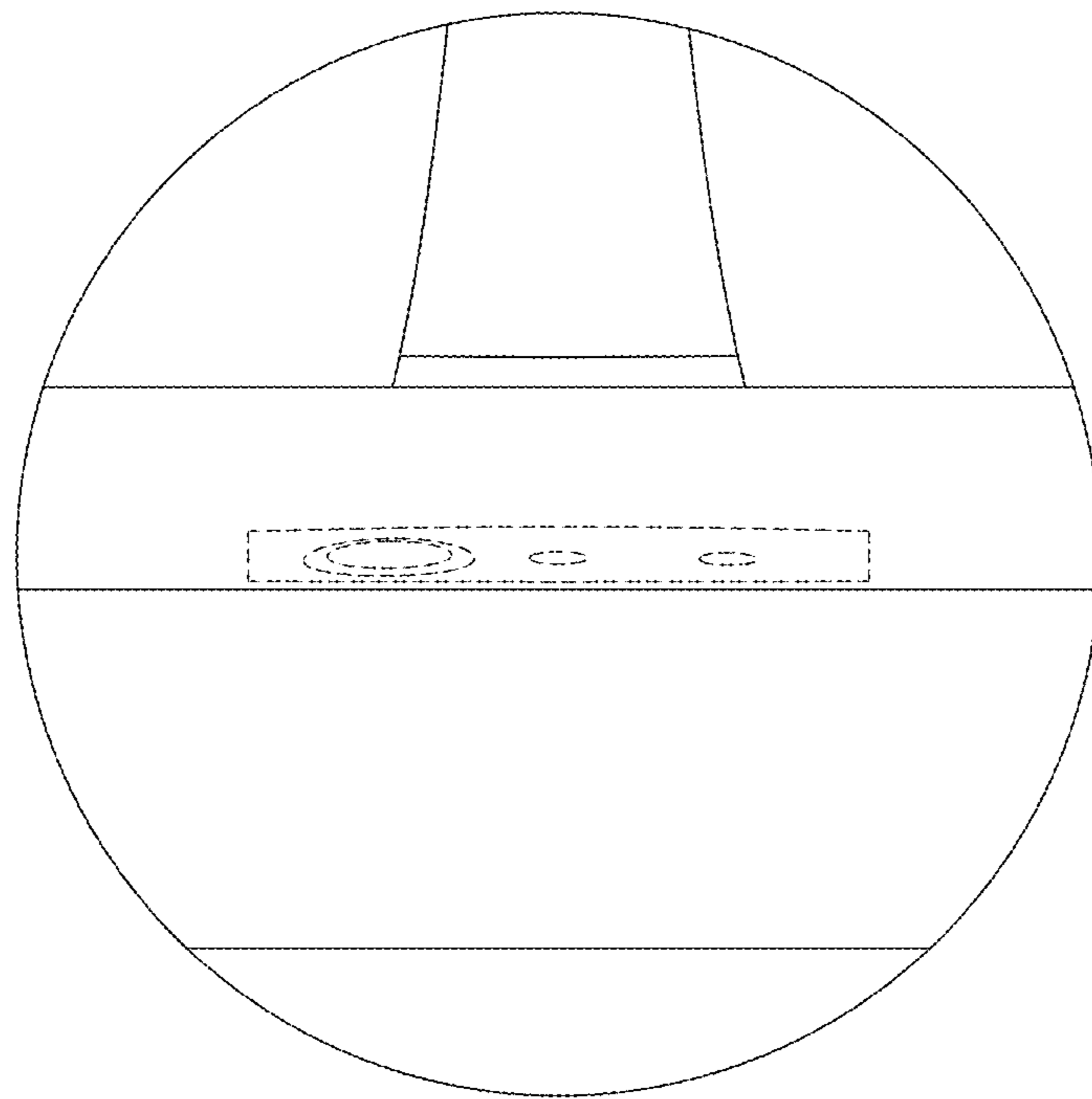


FIG. 4

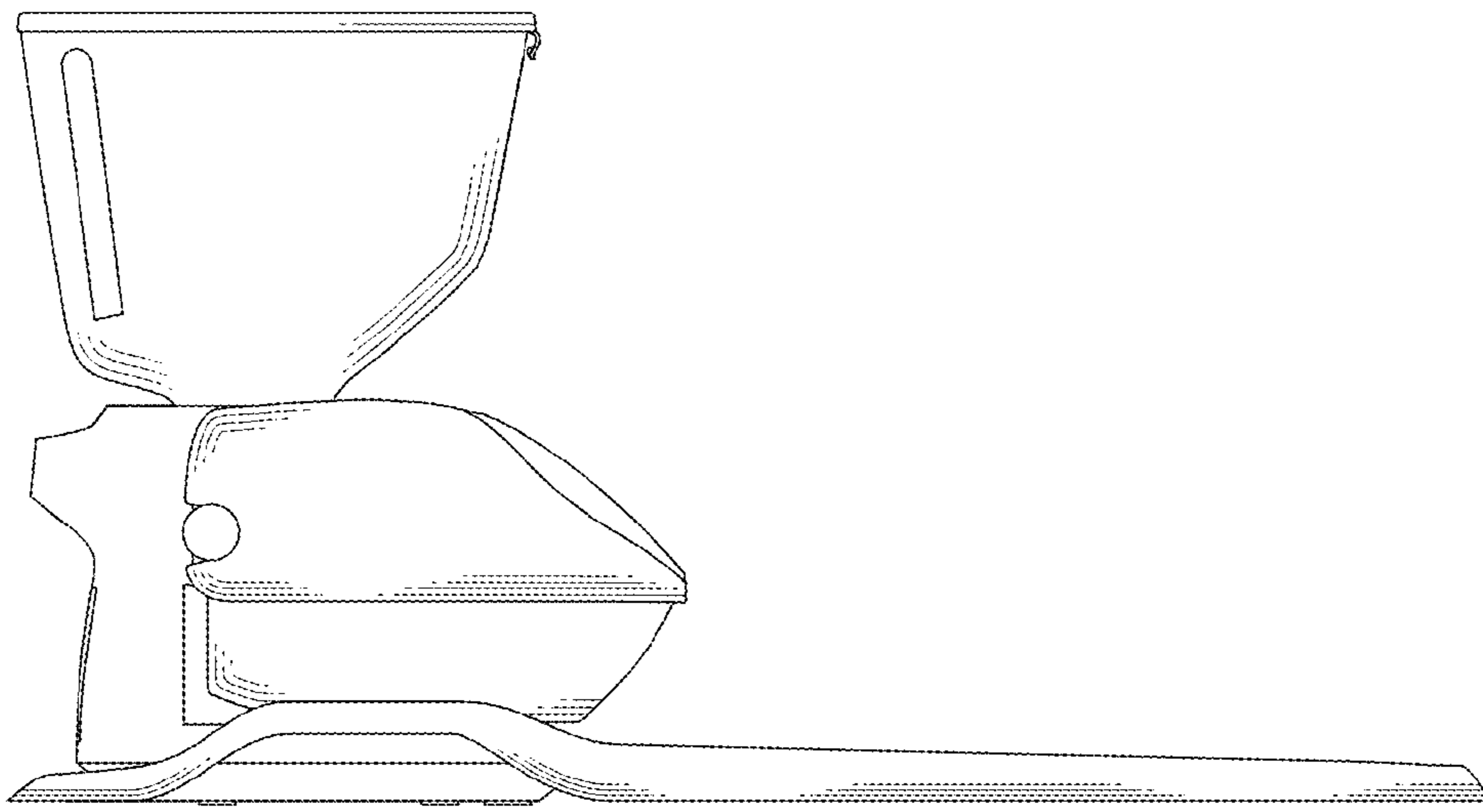


FIG. 5

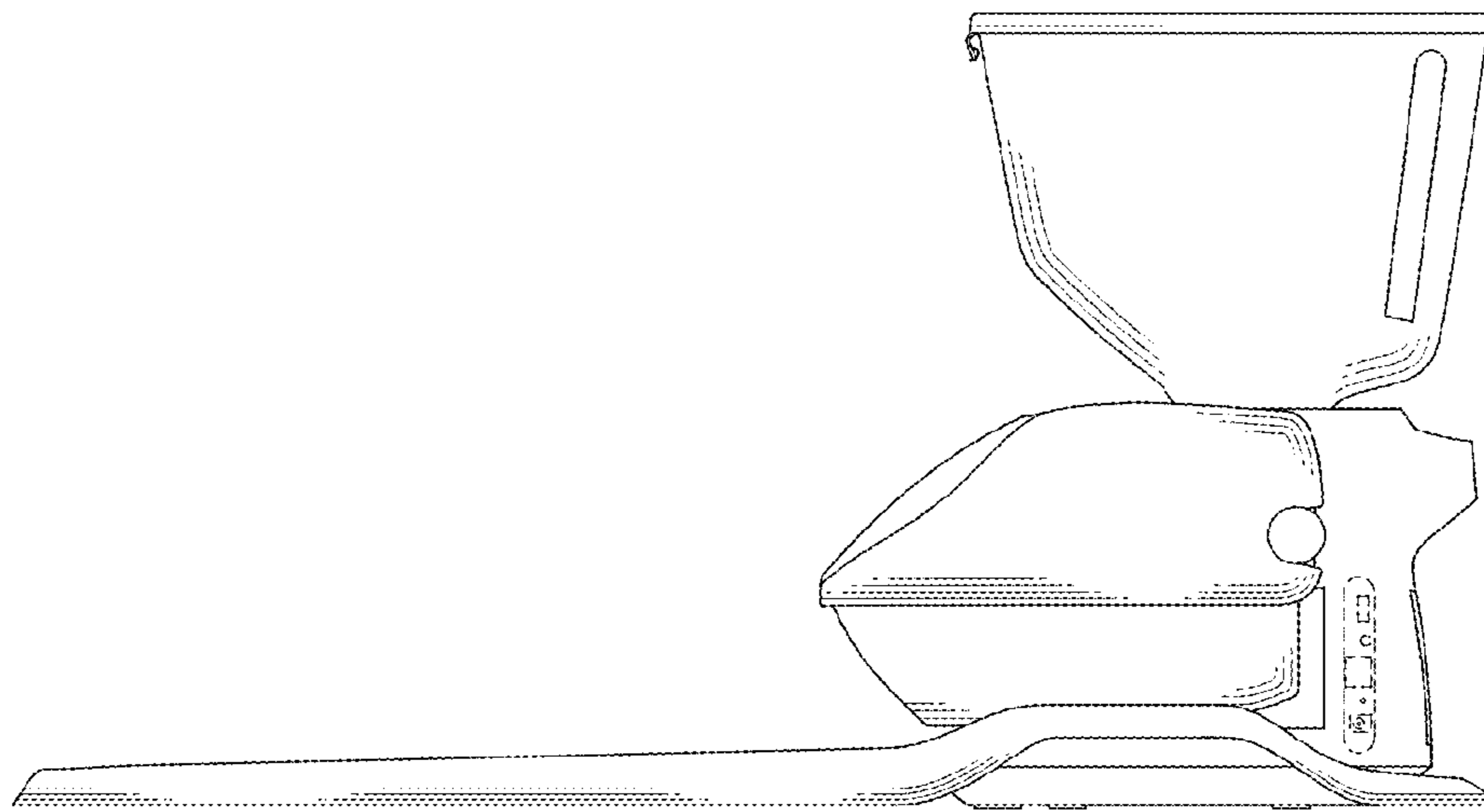


FIG. 6

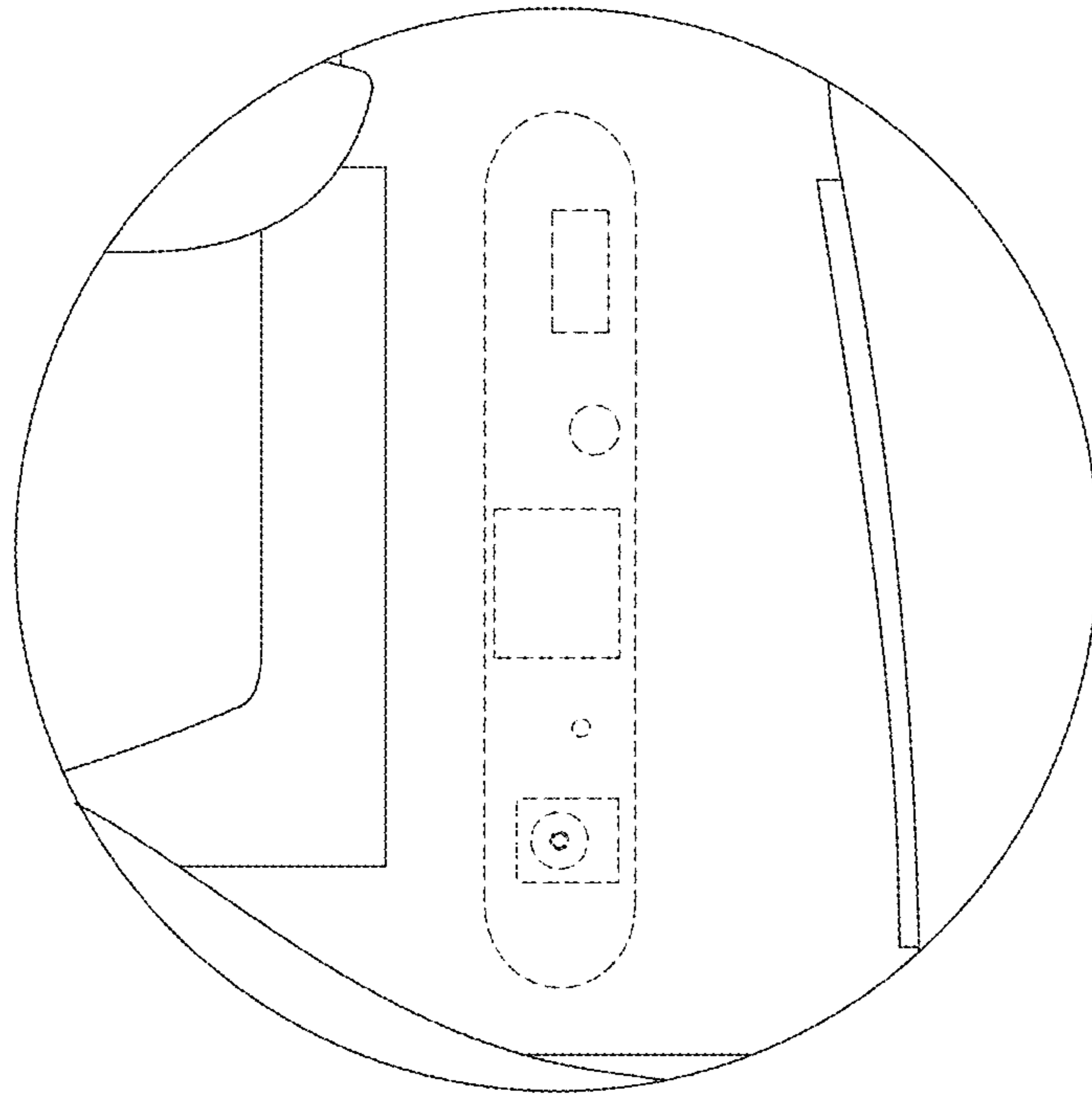


FIG. 7

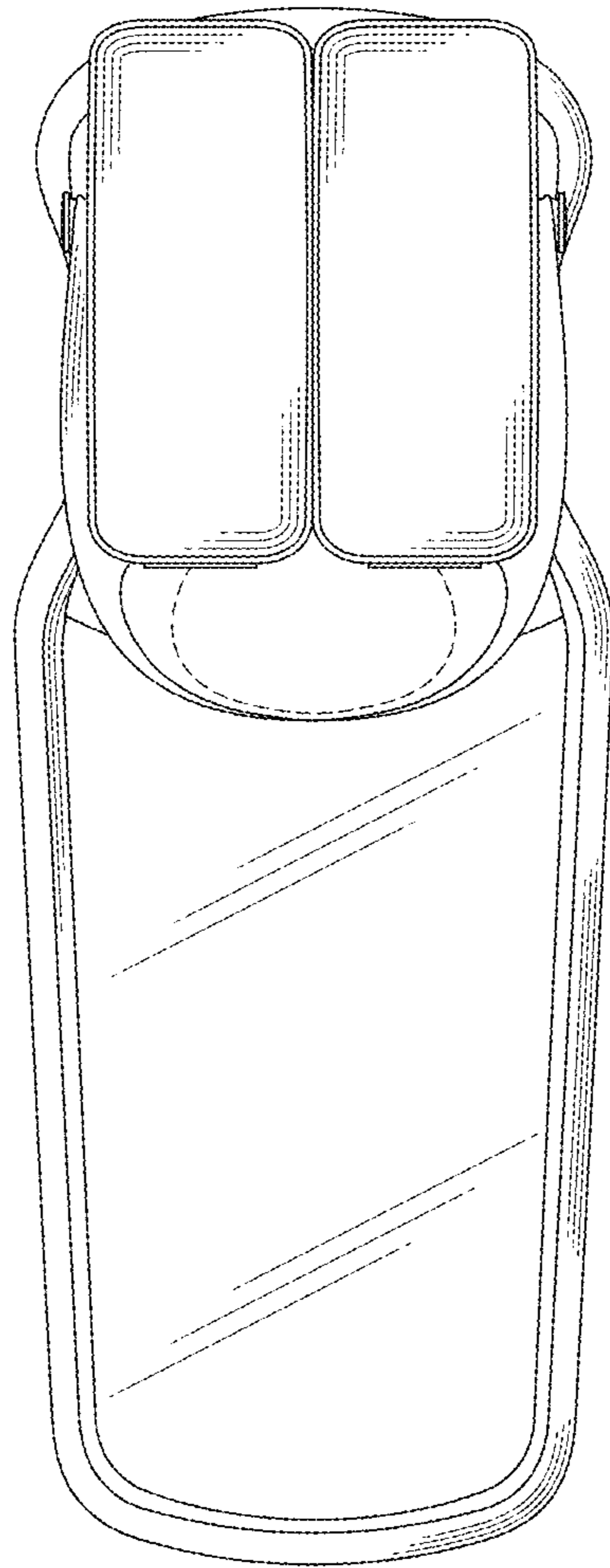


FIG. 8

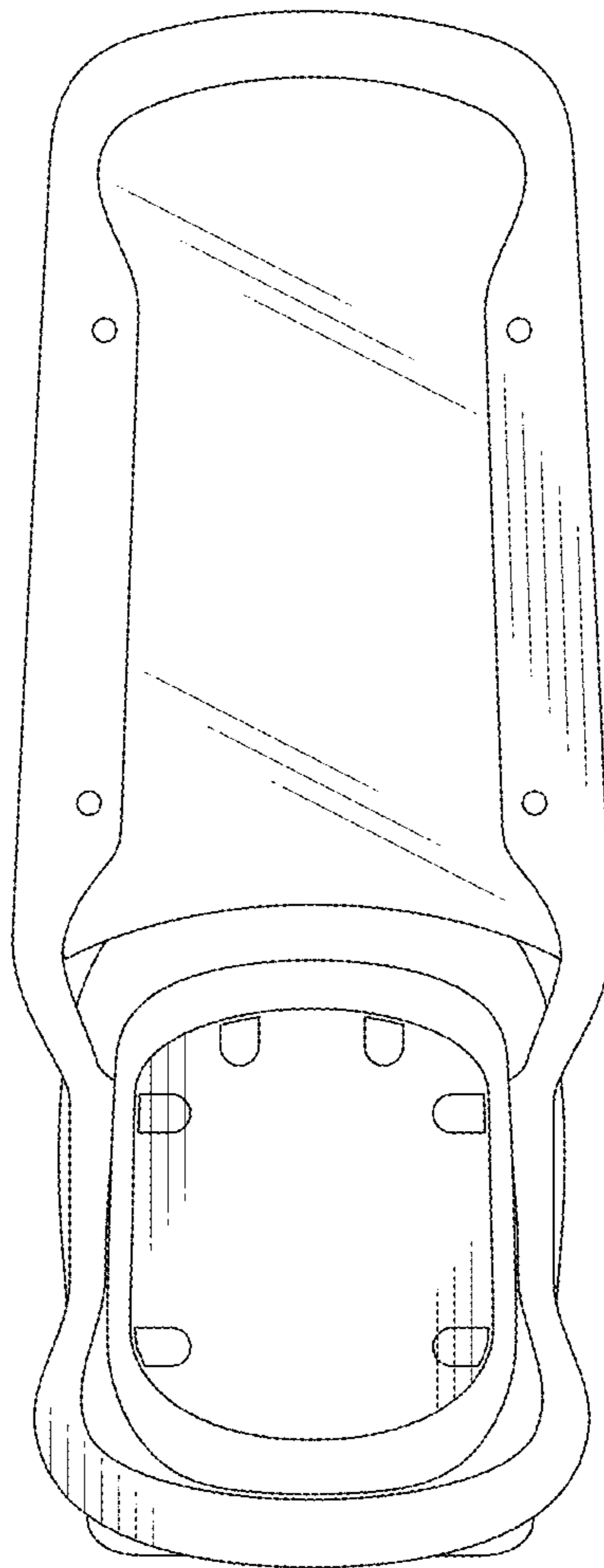


FIG. 9