



US00D753348S

(12) **United States Design Patent**
Ferres Garcia

(10) **Patent No.:** **US D753,348 S**
(45) **Date of Patent:** **** Apr. 5, 2016**

- (54) **DUMMY FOR ANIMALS**
- (71) Applicant: **Jordi Ferres Garcia**, Barcelona (ES)
- (72) Inventor: **Jordi Ferres Garcia**, Barcelona (ES)
- (**) Term: **15 Years**
- (21) Appl. No.: **29/526,988**
- (22) Filed: **May 14, 2015**
- (51) **LOC (10) Cl.** **30-03**
- (52) **U.S. Cl.**
USPC **D30/121**
- (58) **Field of Classification Search**
USPC D30/121, 122, 131, 199, 160; 119/71,
119/51.01, 51.02, 51.11, 51.13, 51.5;
215/11.1–11.6
CPC A01K 9/00; A01K 9/005; A01K 7/00;
A01K 7/02; A01K 7/022; A01K 7/027;
A01K 7/06; A61J 9/00–9/06; A61J
11/00–11/045
See application file for complete search history.

- 4,676,387 A * 6/1987 Stephenson A61J 9/00
215/11.1
- 4,832,213 A * 5/1989 Sharon A61J 9/00
215/11.1
- 4,867,325 A * 9/1989 Dransfield A61J 9/02
215/11.2
- 4,940,151 A * 7/1990 Fett A61J 9/00
215/11.1
- D309,781 S * 8/1990 Sharon D24/197
- D316,754 S * 5/1991 Lau D24/197
- 5,190,174 A * 3/1993 Klag A61J 11/006
215/11.1
- 5,269,425 A * 12/1993 Gomez-Acevedo A61J 9/00
215/11.1
- D371,849 S * 7/1996 Thom D24/197
- D392,776 S * 3/1998 Trossevin D30/121
- D399,005 S * 9/1998 Chan D24/197
- 6,053,342 A * 4/2000 Chomik A61J 9/04
215/11.1

(Continued)

Primary Examiner — Susan Moon Lee
(74) *Attorney, Agent, or Firm* — McNees Wallace & Nurick
LLC

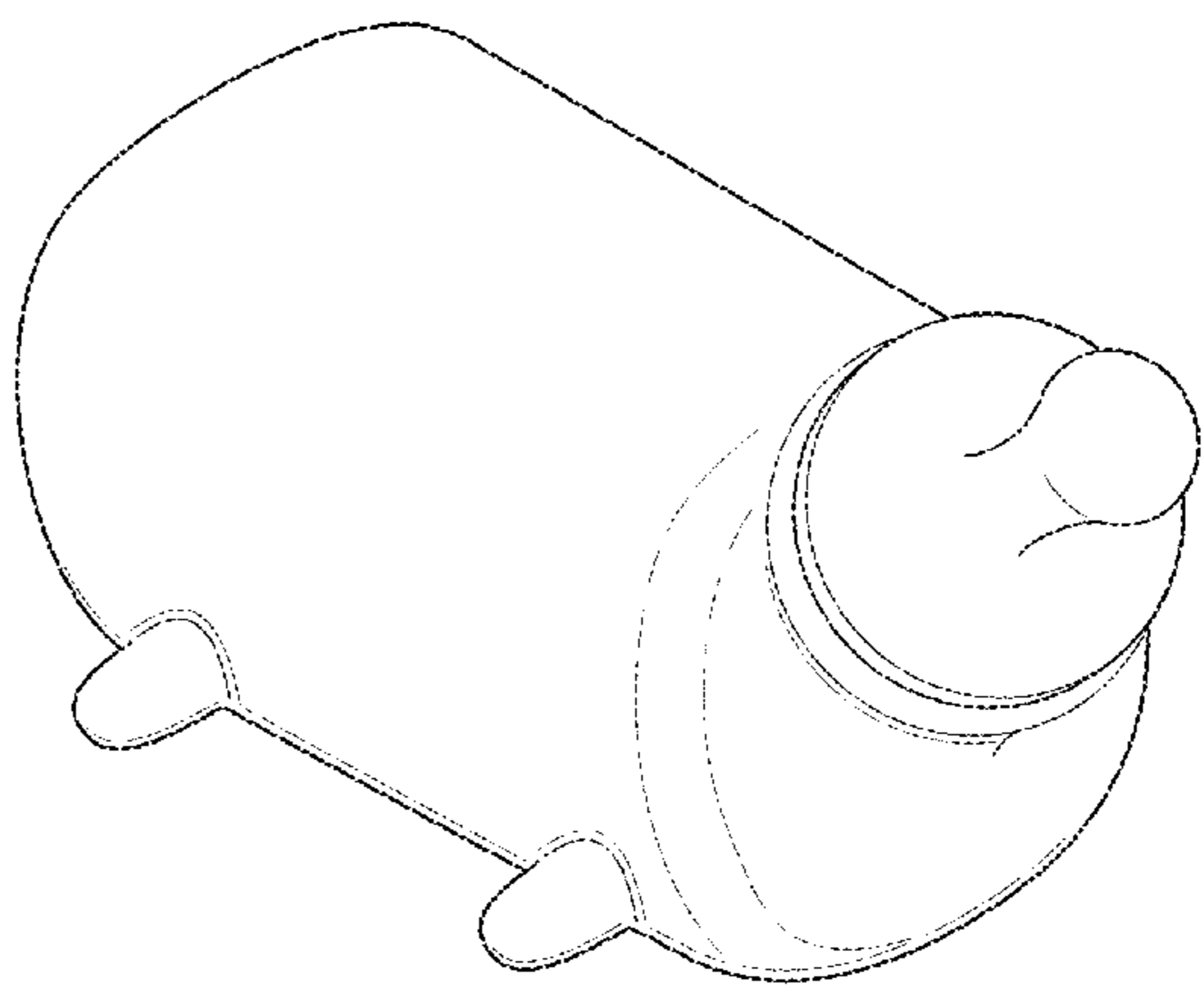
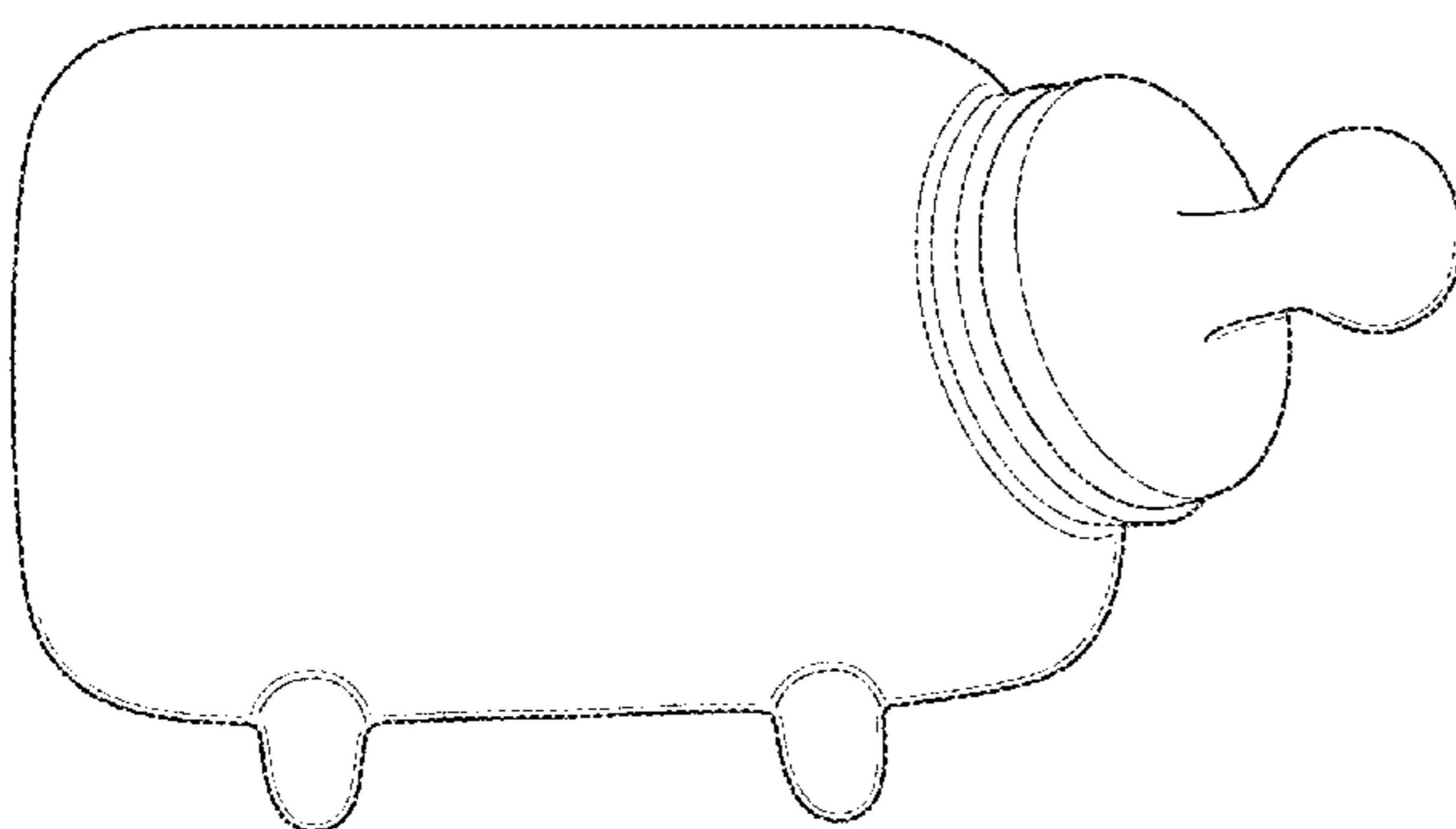
(57) **CLAIM**
The ornamental design for a dummy for animals, as shown
and described.

- (56) **References Cited**
U.S. PATENT DOCUMENTS
- 357,439 A * 2/1887 Wheelock A61J 9/00
215/11.5
- 438,937 A * 10/1890 McKinnon A61J 9/00
215/11.1
- 446,116 A * 2/1891 Monroe A61J 9/00
215/11.1
- 484,811 A * 10/1892 Newell A61J 9/00
215/11.5
- 1,441,406 A * 1/1923 Dales A61J 9/04
215/11.5
- 2,514,744 A * 7/1950 Cipyak A61J 9/00
215/11.1
- D226,688 S * 4/1973 Thornton D24/197
- 4,214,554 A * 7/1980 Smith, Jr. A01K 9/00
119/71

DESCRIPTION

FIG. 1 is a left side view of a dummy for animals;
FIG. 2 is a front-left side perspective view of the dummy for
animals of FIG. 1;
FIG. 3 is a bottom-left side perspective view of the dummy for
animals of FIG. 1;
FIG. 4 is a top view of the dummy for animals of FIG. 1;
FIG. 5 is a rear-left side perspective view of the dummy for
animals of FIG. 1
FIG. 6 is a right side view of the dummy for animals of FIG.
1; and,
FIG. 7 is a front-bottom-left side perspective view of the
dummy for animals of FIG. 1.

1 Claim, 4 Drawing Sheets



(56)

References Cited

U.S. PATENT DOCUMENTS

D428,496 S *	7/2000	Thom	D24/197	D495,954 S *	9/2004	Solomon	D9/526
6,173,850 B1 *	1/2001	Scheetz, Jr.	A61J 9/00 215/11.1	D501,929 S *	2/2005	Lieberman	D24/197
D440,316 S *	4/2001	Tollman	D24/197	D511,385 S *	11/2005	Lieberman	D24/197
6,305,562 B1 *	10/2001	Chan	A61J 9/00 215/11.1	D547,875 S *	7/2007	Pillado	D24/197
6,374,773 B1 *	4/2002	McIntyre	A01K 9/005 119/72	7,326,234 B2 *	2/2008	Lieberman	A61J 9/04 215/11.5
6,446,821 B1 *	9/2002	Salisbury	A61J 9/00 215/11.1	8,186,303 B1 *	5/2012	Willis	A01K 9/00 119/71
D464,434 S *	10/2002	Morano	D24/197	D667,559 S *	9/2012	Py	D24/197
6,499,615 B1 *	12/2002	Szieff	A61J 9/00 215/11.1	D699,857 S *	2/2014	Py	D24/196
6,526,966 B1 *	3/2003	Peesay	A61J 9/00 128/200.14	D705,434 S *	5/2014	Spinetti	D24/197
6,543,632 B1 *	4/2003	McIntyre	A01K 9/00 119/72	8,833,575 B2 *	9/2014	Fave-Lesage	A61J 11/004 215/11.1
D475,626 S *	6/2003	Barruw	D9/526	2004/0188373 A1 *	9/2004	Lewis	A61J 11/045 215/11.5
6,604,642 B1 *	8/2003	Barruw	B65D 1/023 215/40	2005/0258125 A1 *	11/2005	Kiehne	A61J 9/04 215/11.5
6,631,819 B1 *	10/2003	Diak/Ghanem	A61J 9/001 215/11.1	2007/0075029 A1 *	4/2007	Yates	A61J 9/04 215/11.5
D483,268 S *	12/2003	Willows	D9/522	2012/0085669 A1 *	4/2012	Diehl	A47G 19/2227 206/459.1
					2015/0122764 A1 *	5/2015	Freeman	A61J 9/008 215/11.1

* cited by examiner

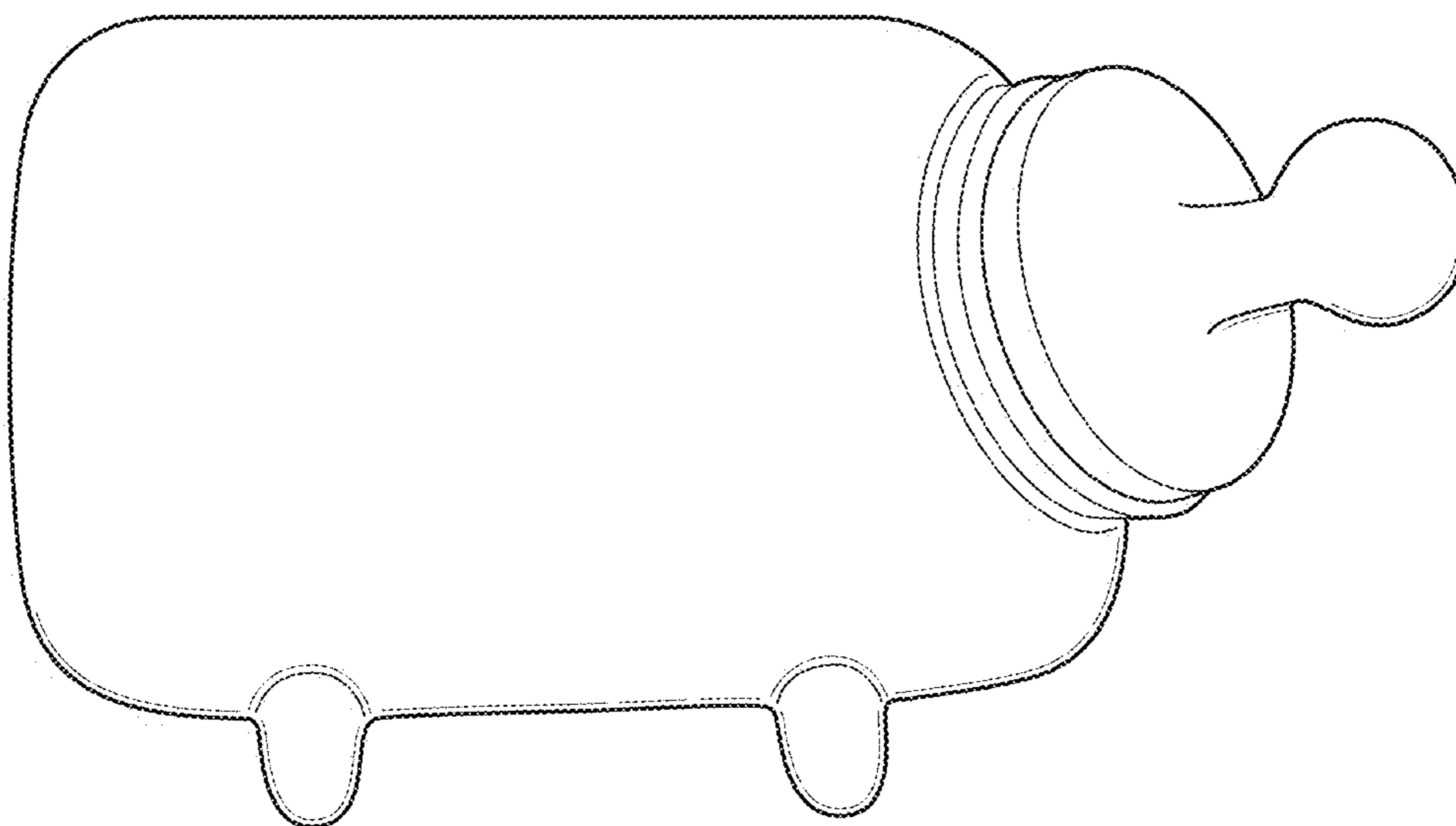


FIG. 1

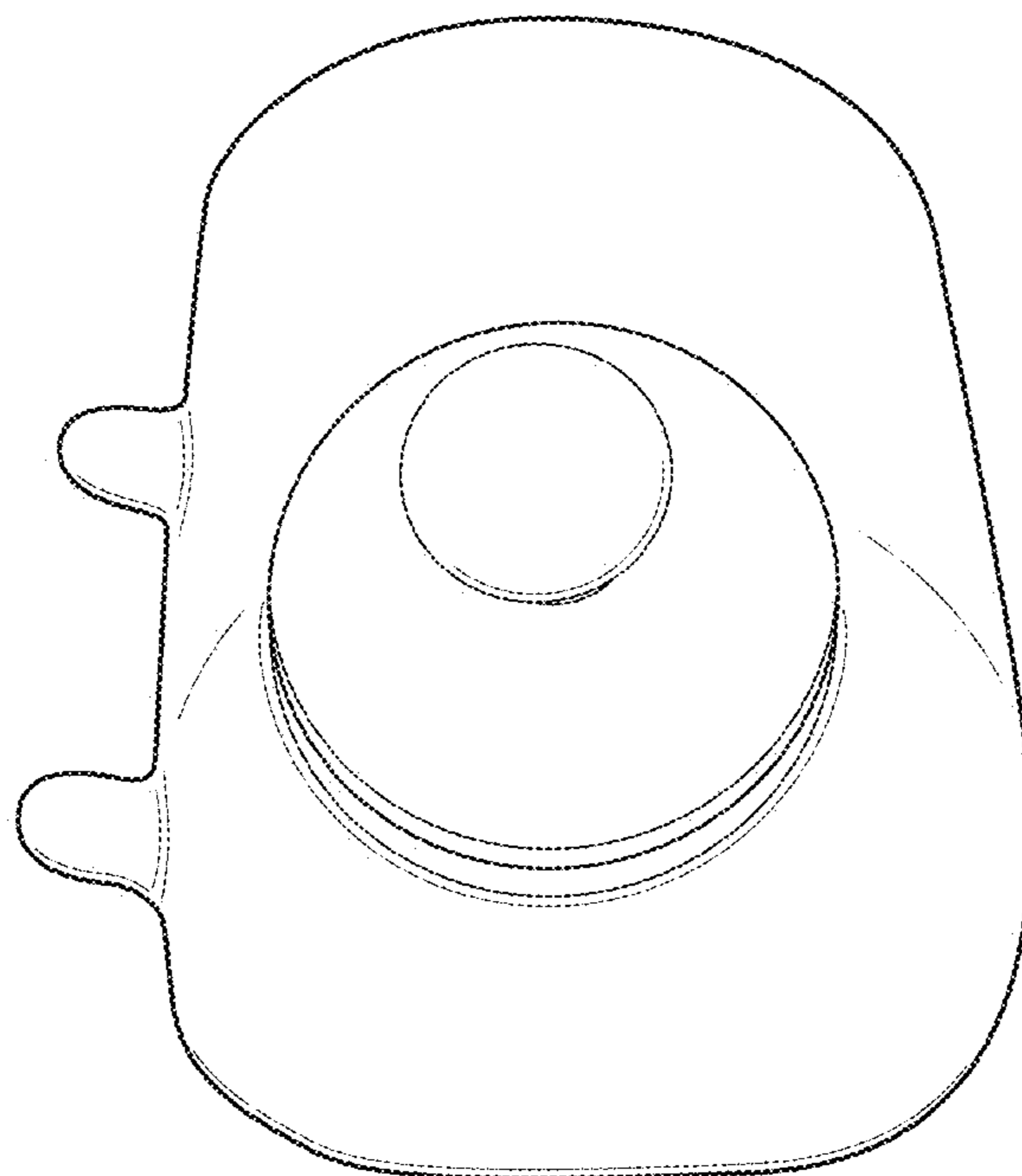


FIG. 2

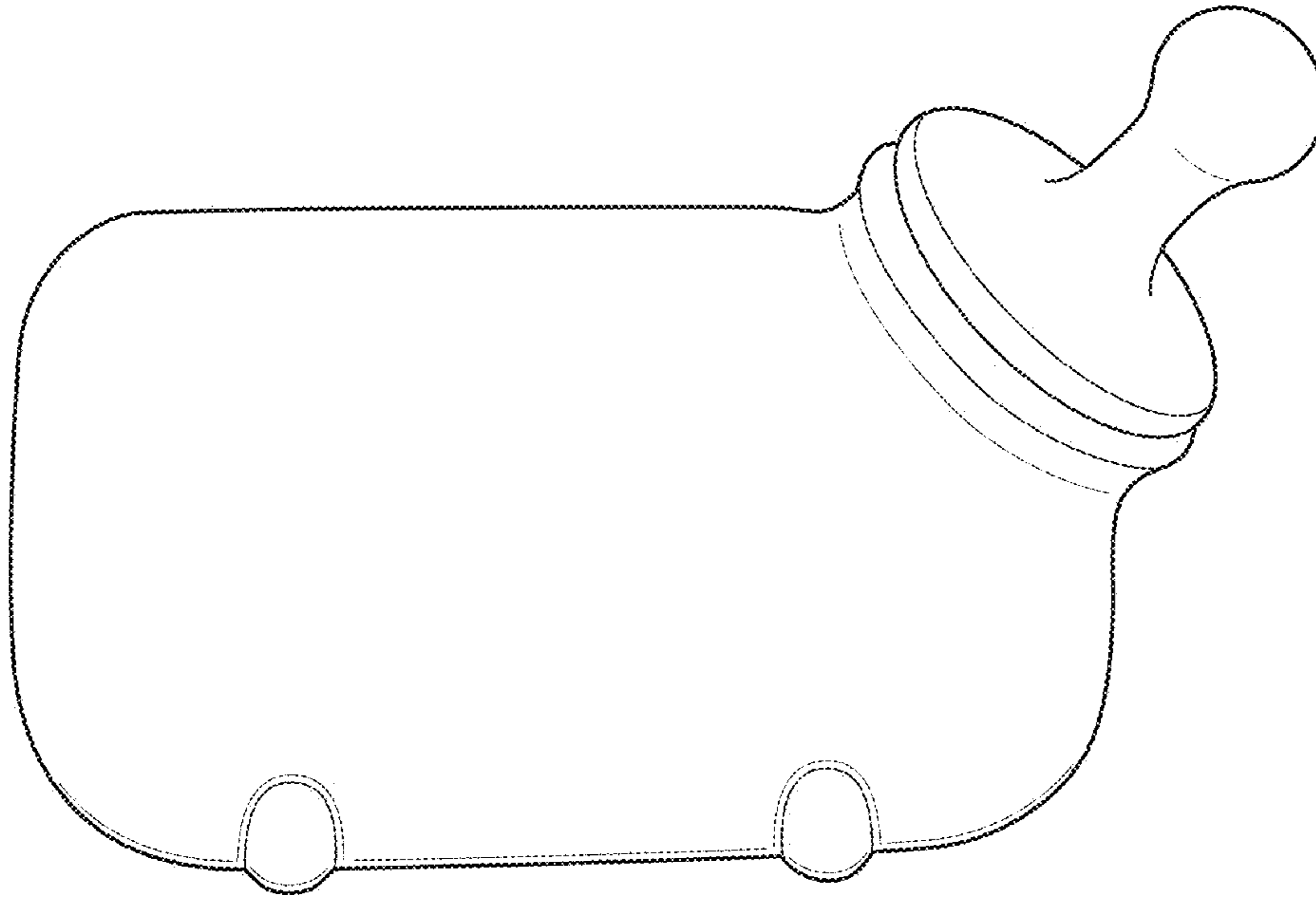


FIG. 3

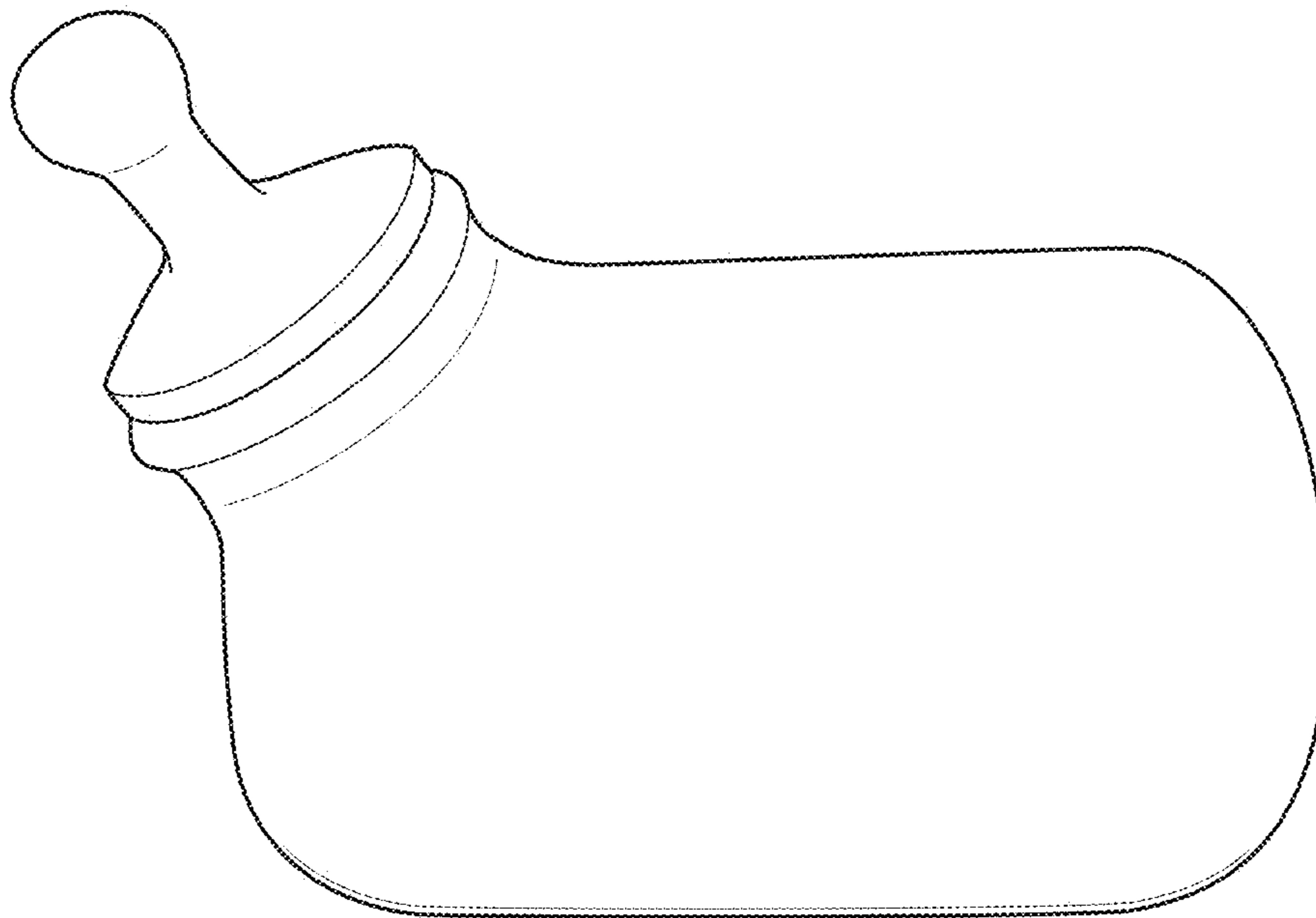


FIG. 4

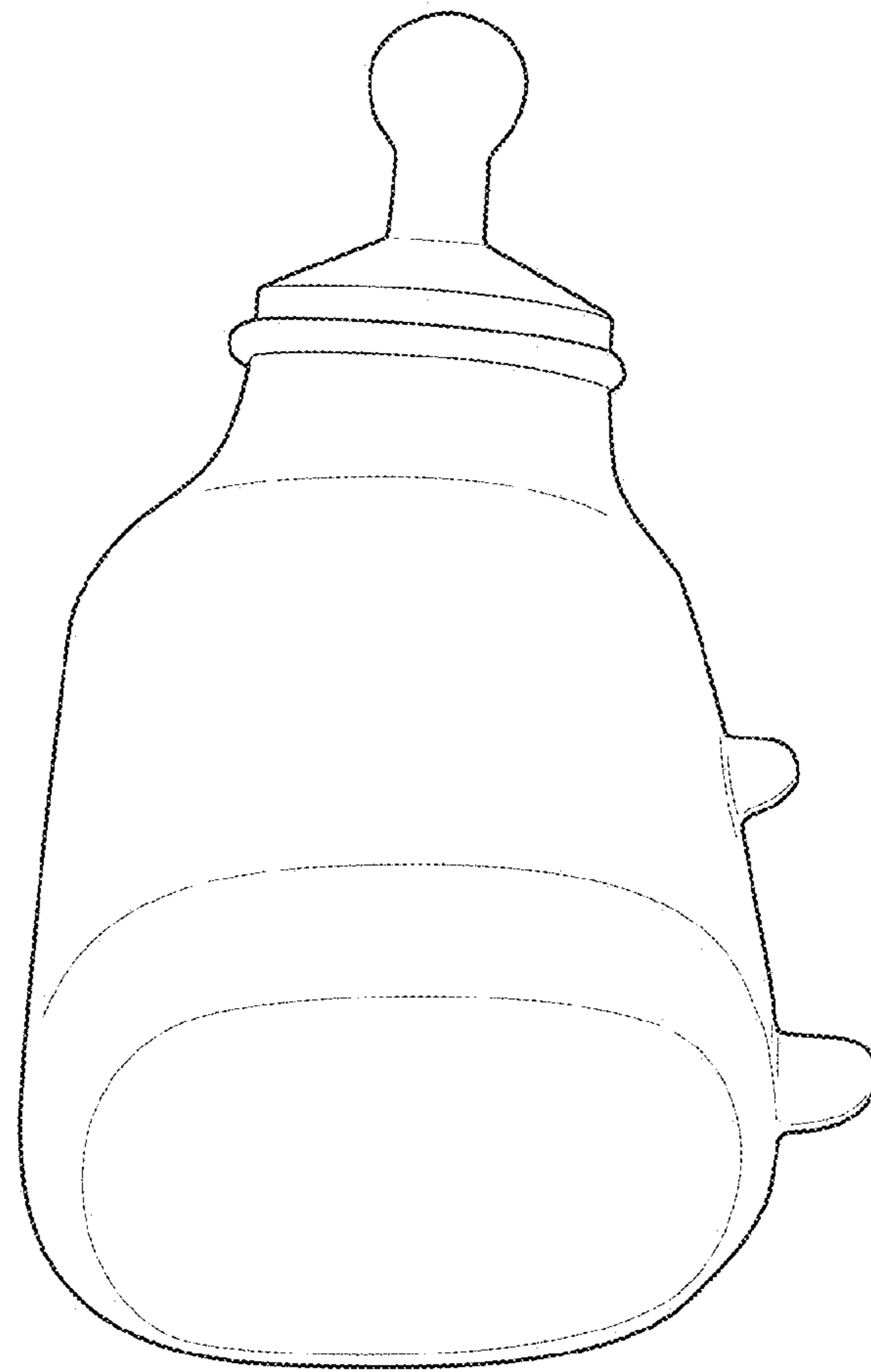


FIG. 5

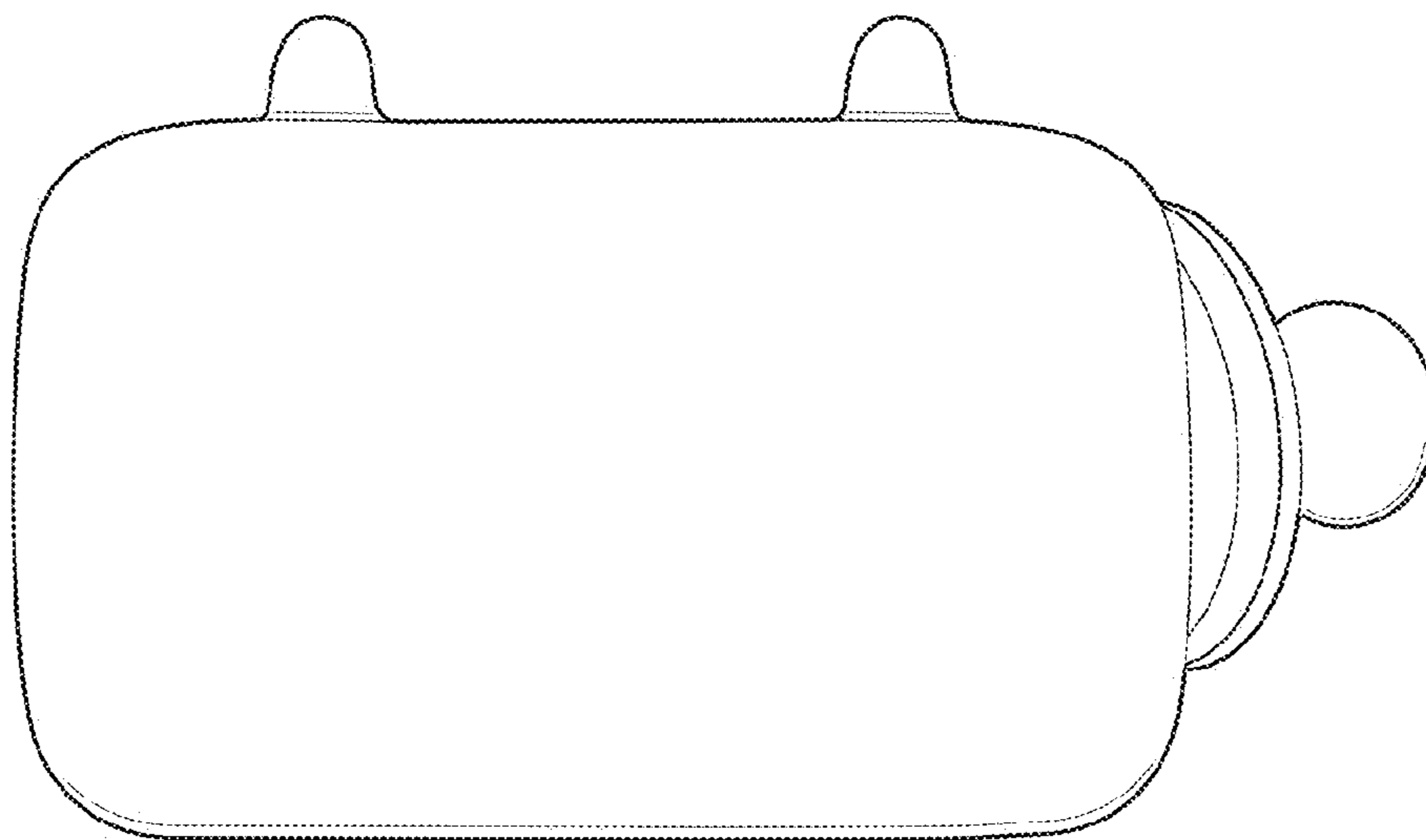


FIG. 6

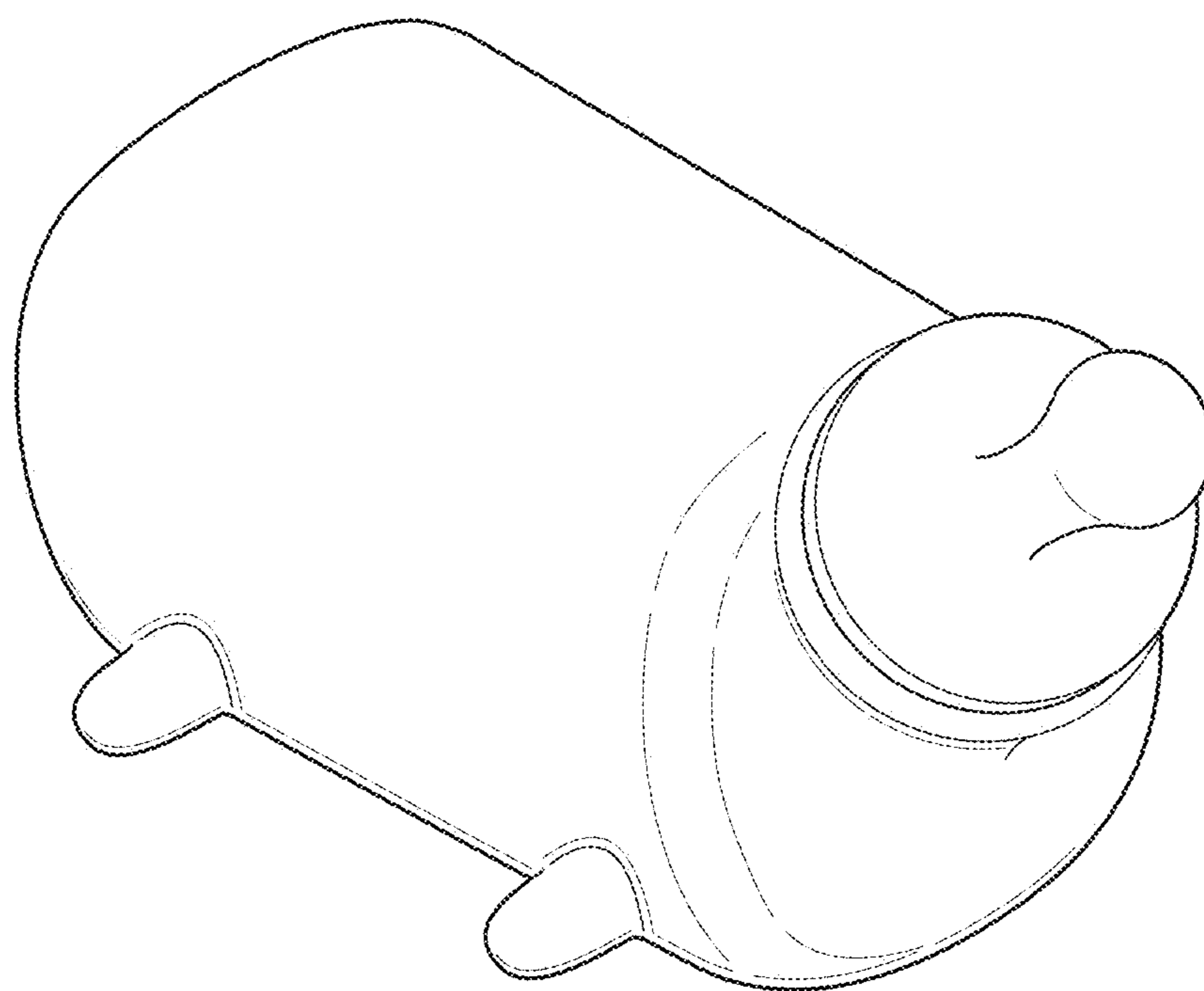


FIG. 7