



US00D753347S

(12) **United States Design Patent**  
**Lu**

(10) **Patent No.:** **US D753,347 S**  
(45) **Date of Patent:** **\*\* Apr. 5, 2016**

- (54) **PET CARRIER**
- (71) Applicant: **Kongzhi Lu**, Xiamen (CN)
- (72) Inventor: **Kongzhi Lu**, Xiamen (CN)
- (73) Assignee: **Xiamen Sunnypet Products Co., Ltd.**,  
Xiamen (CN)
- (\*\*) Term: **14 Years**
- (21) Appl. No.: **29/493,560**
- (22) Filed: **Jun. 11, 2014**
- (51) **LOC (10) Cl.** ..... **30-02**
- (52) **U.S. Cl.**  
USPC ..... **D30/109**
- (58) **Field of Classification Search**  
USPC ..... D30/108–109, 112–117, 119;  
119/428–429, 430–436, 445, 452–453,  
119/455, 459, 467, 472, 474–475, 481–482,  
119/484, 485, 496–503, 512–513  
CPC ..... A01K 1/00; A01K 1/01; A01K 1/02;  
A01K 1/03; A01K 31/00; A01K 31/06;  
A01K 31/07; A01K 31/08; A01K 31/14;  
A01K 31/18; A01K 5/00; A01K 29/00;  
A47K 11/02; E04H 1/02  
See application file for complete search history.

- (56) **References Cited**  
U.S. PATENT DOCUMENTS  
5,307,758 A \* 5/1994 Ho ..... A01K 1/0236  
119/497  
5,890,329 A \* 4/1999 Krueger ..... B60P 3/03  
119/453  
D442,748 S \* 5/2001 Farrugia ..... D30/109  
D523,995 S \* 6/2006 Knittle ..... D30/109  
D575,461 S \* 8/2008 Cannon ..... D30/109

- 7,617,917 B2 \* 11/2009 Hai ..... A01K 1/0254  
119/487
- 7,789,044 B2 \* 9/2010 McGrade ..... A01K 1/0254  
119/496
- D662,263 S \* 6/2012 Chau ..... D30/109
- D662,264 S \* 6/2012 Chau ..... D30/109
- 8,261,698 B1 \* 9/2012 McClain ..... A01K 1/0254  
119/497
- D677,011 S \* 2/2013 Cirincione ..... D30/109
- D685,952 S \* 7/2013 Dixon ..... D30/109
- D724,792 S \* 3/2015 Renforth ..... D30/109
- 2003/0127060 A1 \* 7/2003 Yeung ..... A01K 1/0254  
119/497
- 2008/0072837 A1 \* 3/2008 Redzisz ..... A01K 1/0254  
119/474
- 2008/0216760 A1 \* 9/2008 Cannon ..... A01K 1/0254  
119/497
- 2010/0000472 A1 \* 1/2010 Siklosi ..... A01K 1/0254  
119/497

\* cited by examiner

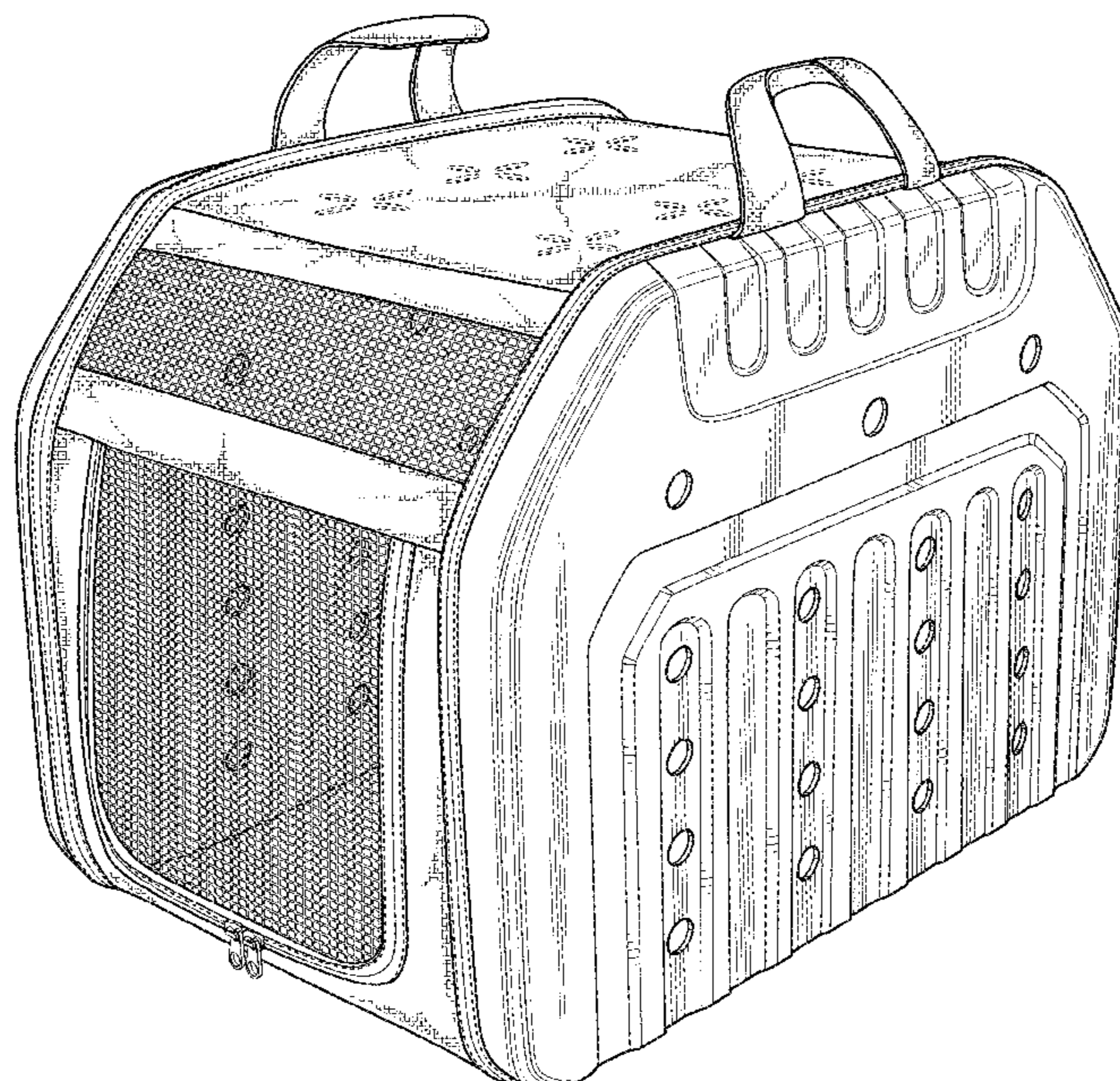
*Primary Examiner* — Cathy Anne MacCormac  
(74) *Attorney, Agent, or Firm* — Jen-Feng Lee, Esq.

(57) **CLAIM**  
I claim the ornamental design for a pet carrier, as shown and described.

**DESCRIPTION**

FIG. 1 is the front perspective view of the pet carrier showing my new design,  
FIG. 2 is a front view thereof, with the rear view being the mirror image thereof,  
FIG. 3 is a left side view thereof,  
FIG. 4 is a right side view thereof,  
FIG. 5 is a top view thereof; and,  
FIG. 6 is a bottom view thereof.  
The broken lines depict environmental subject matter, are for illustration only and form no part of the claimed design.

**1 Claim, 6 Drawing Sheets**



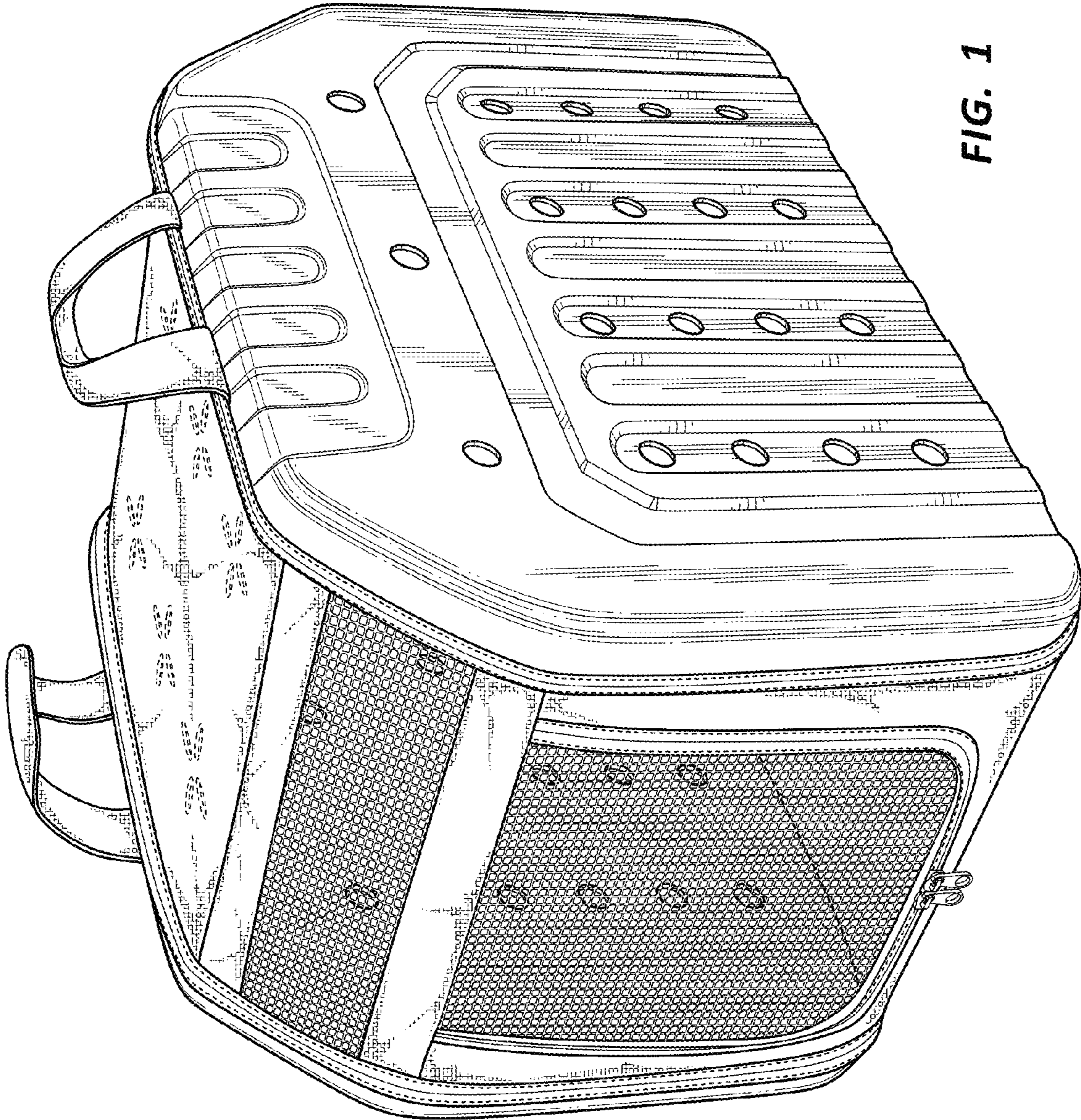


FIG. 1

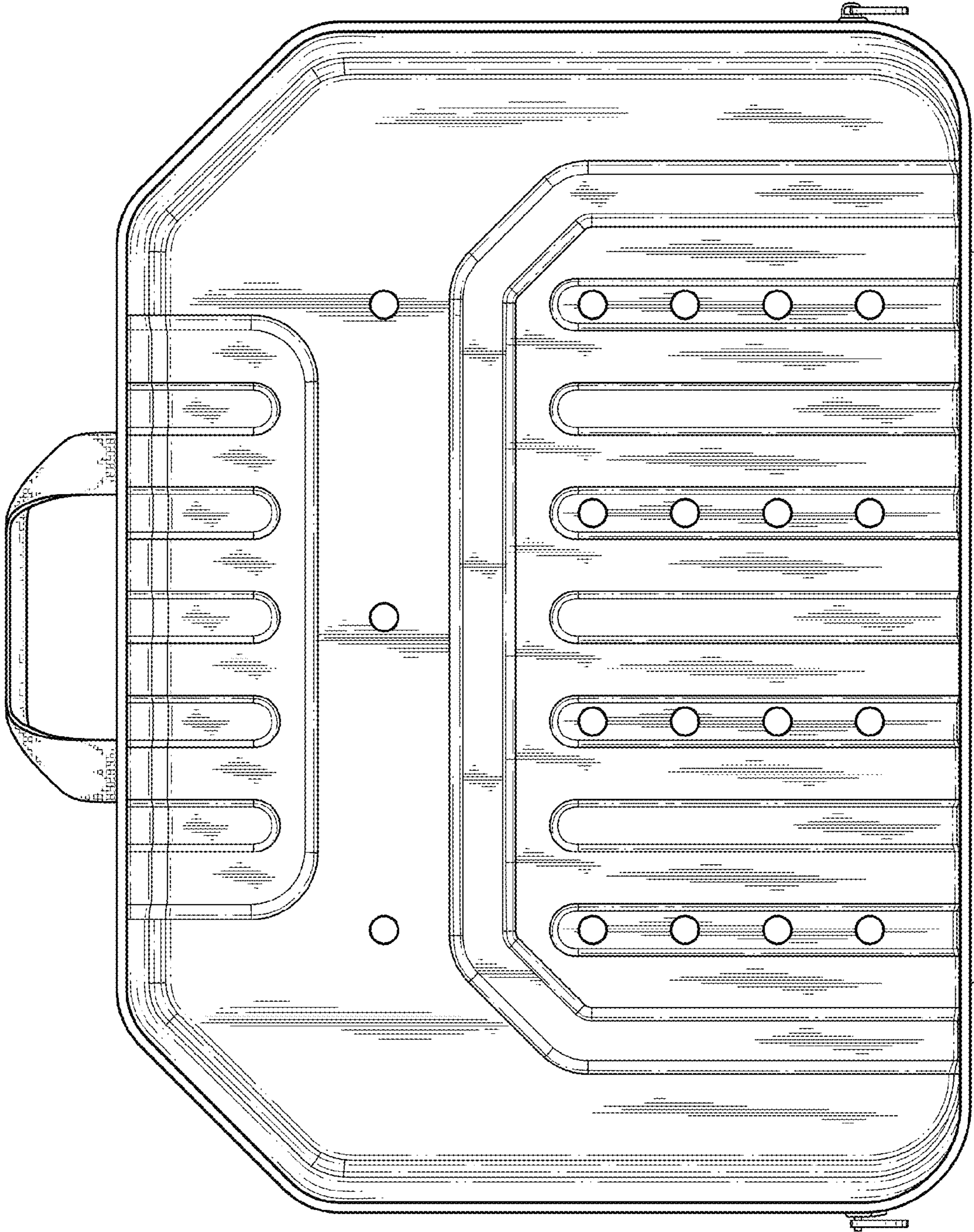


FIG. 2

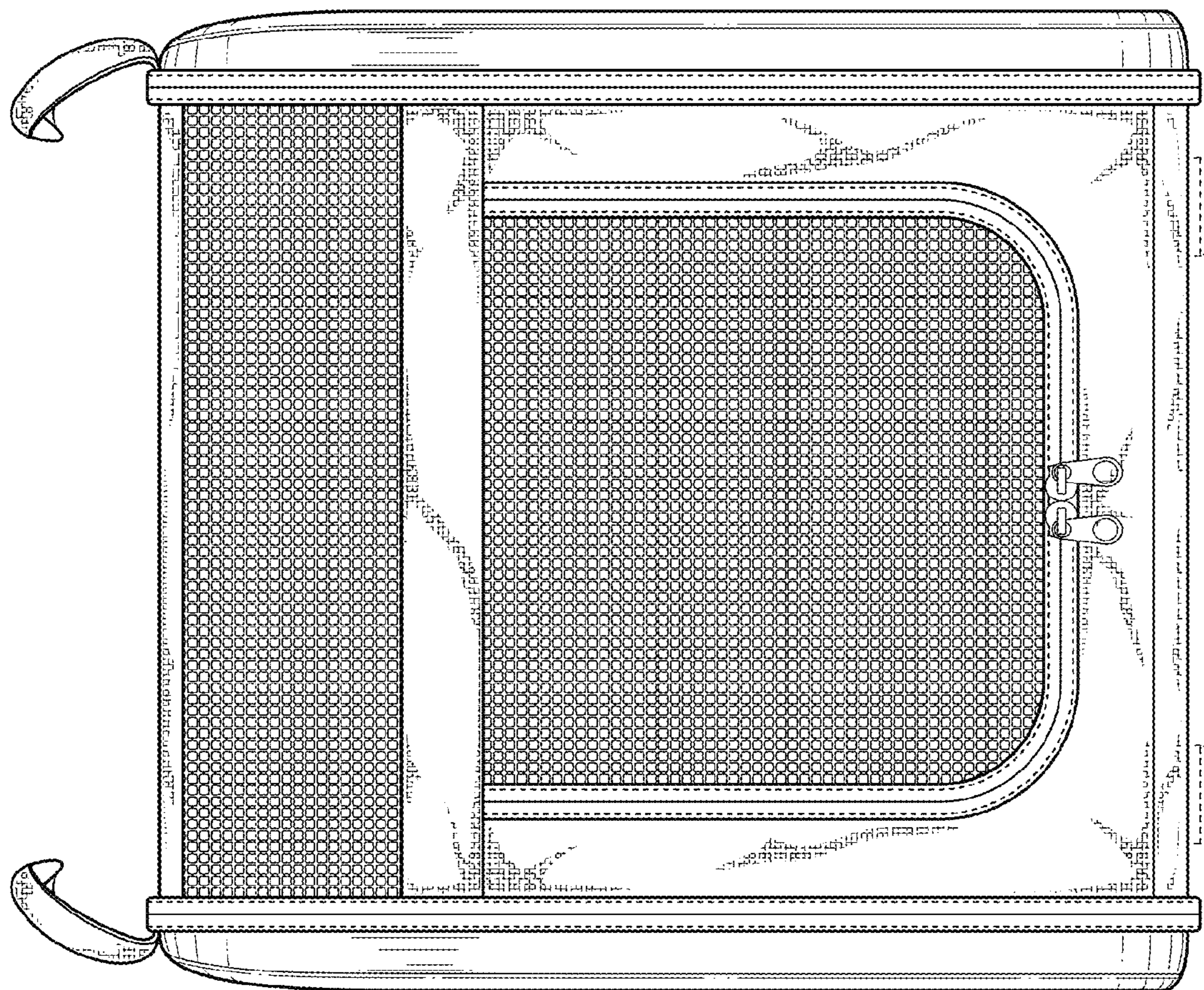


FIG. 3

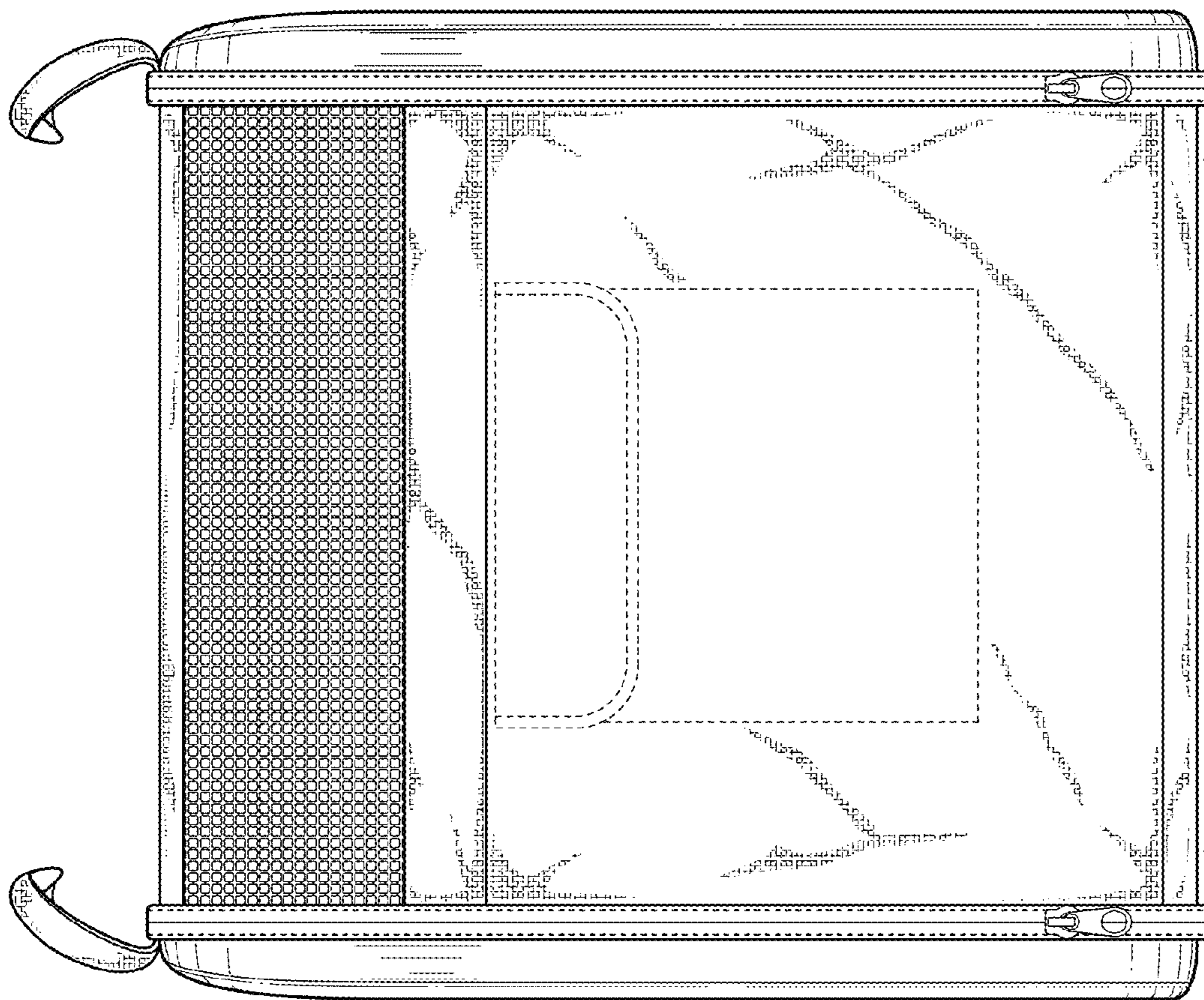


FIG. 4

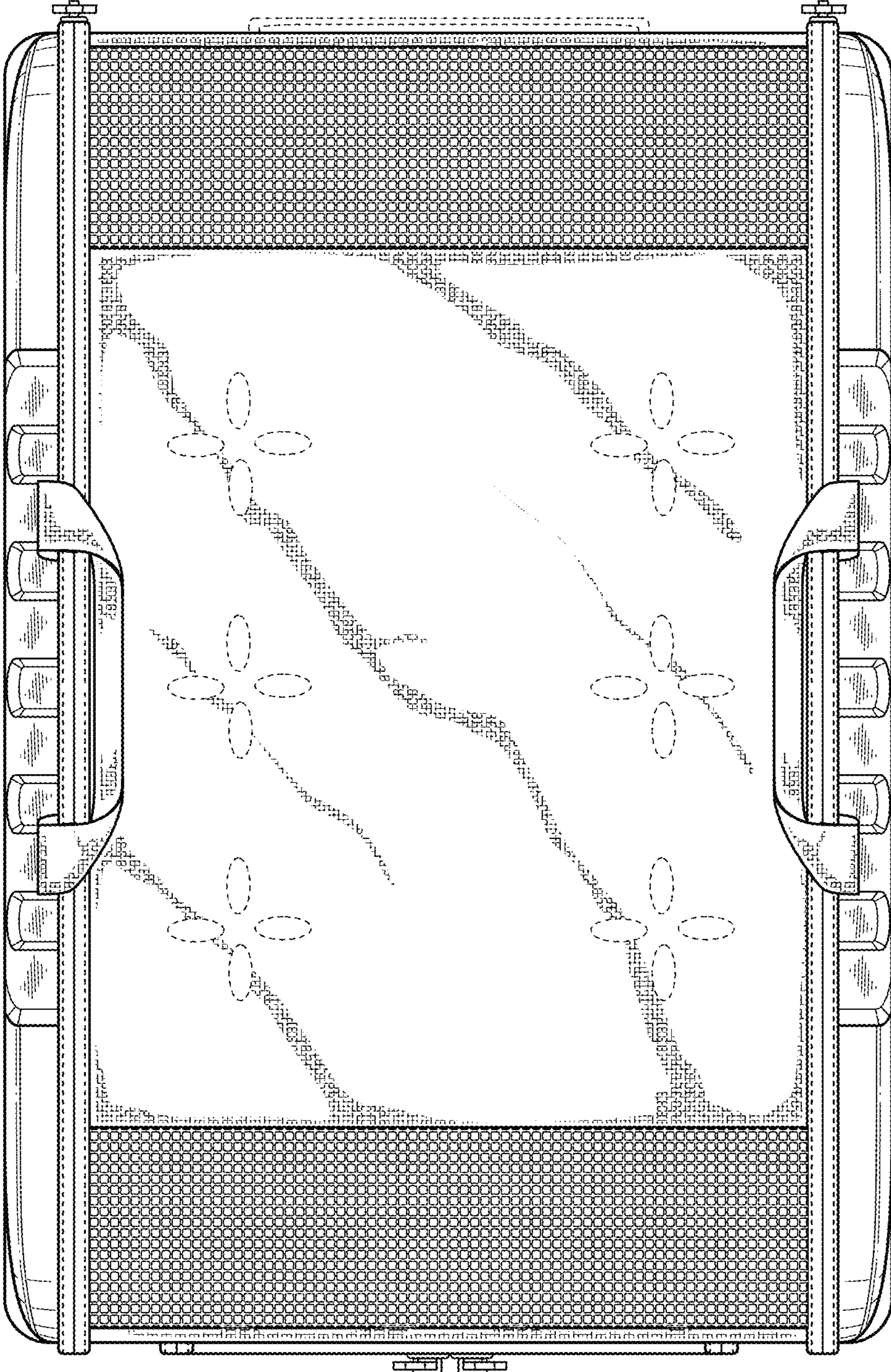


FIG. 5

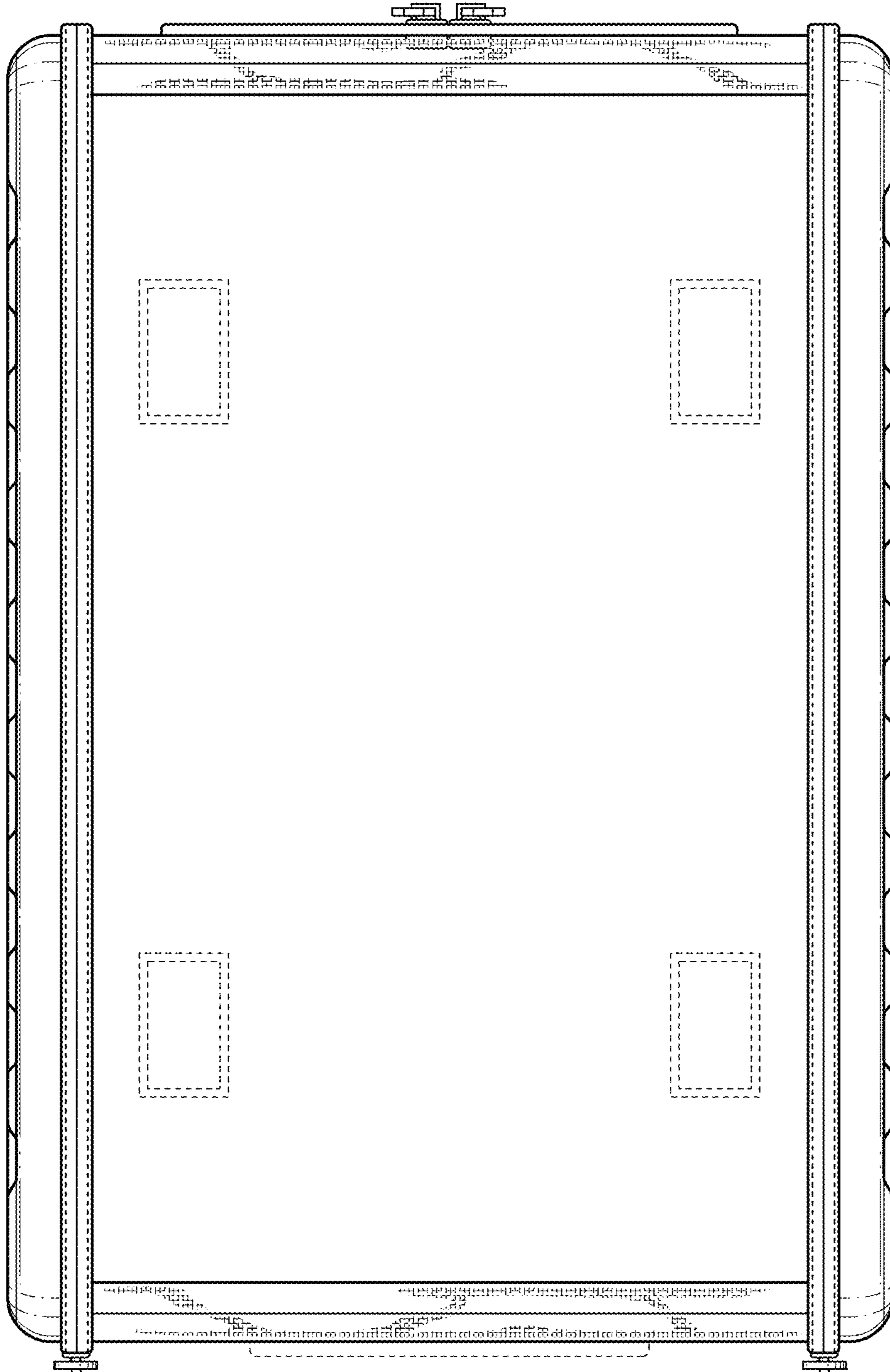


FIG. 6