



US00D753345S

(12) **United States Design Patent**
Yang

(10) **Patent No.:** **US D753,345 S**
(45) **Date of Patent:** **** Apr. 5, 2016**

(54) **WELD CAP**

(71) Applicant: **NINGBO GEOSTAR PHOTOELECTRIC TECHNOLOGY CO., LTD.**, Ningbo (CN)

(72) Inventor: **Zhaolin Yang**, Ningbo (CN)

(73) Assignee: **NINGBO GEOSTAR PHOTOELECTRIC TECHNOLOGY CO., LTD.**, Ningbo (CN)

(**) Term: **15 Years**

(21) Appl. No.: **29/543,140**

(22) Filed: **Oct. 21, 2015**

(51) **LOC (10) Cl.** **29-02**

(52) **U.S. Cl.**
USPC **D29/110**

(58) **Field of Classification Search**
USPC D29/100, 102, 105, 106, 107, 108, 110;
D24/110.1, 110.2, 110.3
CPC A42B 3/225; A42B 3/18; A42B 3/20;
A42B 3/32; A42B 3/322; A42B 3/324;
A42B 3/326; A42B 3/328; A42B 3/06;
F41H 1/04; F41H 1/06; F41H 1/08; F41H
1/00; A61F 9/06; A61F 9/061; A61F 9/062;
A61F 9/064; A63B 71/10; A63B 71/08;
A63B 71/081; A63B 2071/105

See application file for complete search history.

(56) **References Cited**

U.S. PATENT DOCUMENTS

- 2,644,159 A * 7/1953 Jacobs A61F 9/064
2/8.5
- 4,853,973 A * 8/1989 Boochard A61F 9/06
2/434
- 4,863,244 A * 9/1989 Fuerthbauer A61F 9/067
2/431
- D310,276 S * 8/1990 Fuerthbauer D29/110
- D310,432 S * 9/1990 Boochard D29/110
- 5,533,206 A * 7/1996 Petrie A61F 9/064
2/8.5
- 5,571,217 A * 11/1996 Del Bon A42B 3/14

- 2/8.1
- D489,492 S * 5/2004 Wu D29/110
- D521,190 S * 5/2006 Wu D29/110
- D584,858 S * 1/2009 Wang D29/110
- D586,956 S * 2/2009 Huh D29/110
- D636,129 S * 4/2011 Wu D29/110
- D654,224 S * 2/2012 Wu D29/110
- D654,225 S * 2/2012 Wu D29/110
- D654,226 S * 2/2012 Wu D29/110
- D654,634 S * 2/2012 Wu D29/110
- D669,227 S * 10/2012 Wang D29/110
- D700,402 S * 2/2014 Zhou D29/110
- 8,955,162 B2 * 2/2015 Huh A61F 9/067
2/8.2
- D728,163 S * 4/2015 Zhou D29/110
- 9,009,862 B2 * 4/2015 Huh A61F 9/06
2/8.3
- D732,746 S * 6/2015 Wu D29/110
- D734,557 S * 7/2015 Stankus D29/110
- D734,558 S * 7/2015 Wu D29/110
- D742,075 S * 10/2015 Zhou D29/110
- 2007/0079417 A1 * 4/2007 Huh A61F 9/065
2/8.2

* cited by examiner

Primary Examiner — Elizabeth J Oswecki

(74) *Attorney, Agent, or Firm* — Andrew F. Young, Esq.;
Lackebach Siegel, LLP

(57) **CLAIM**

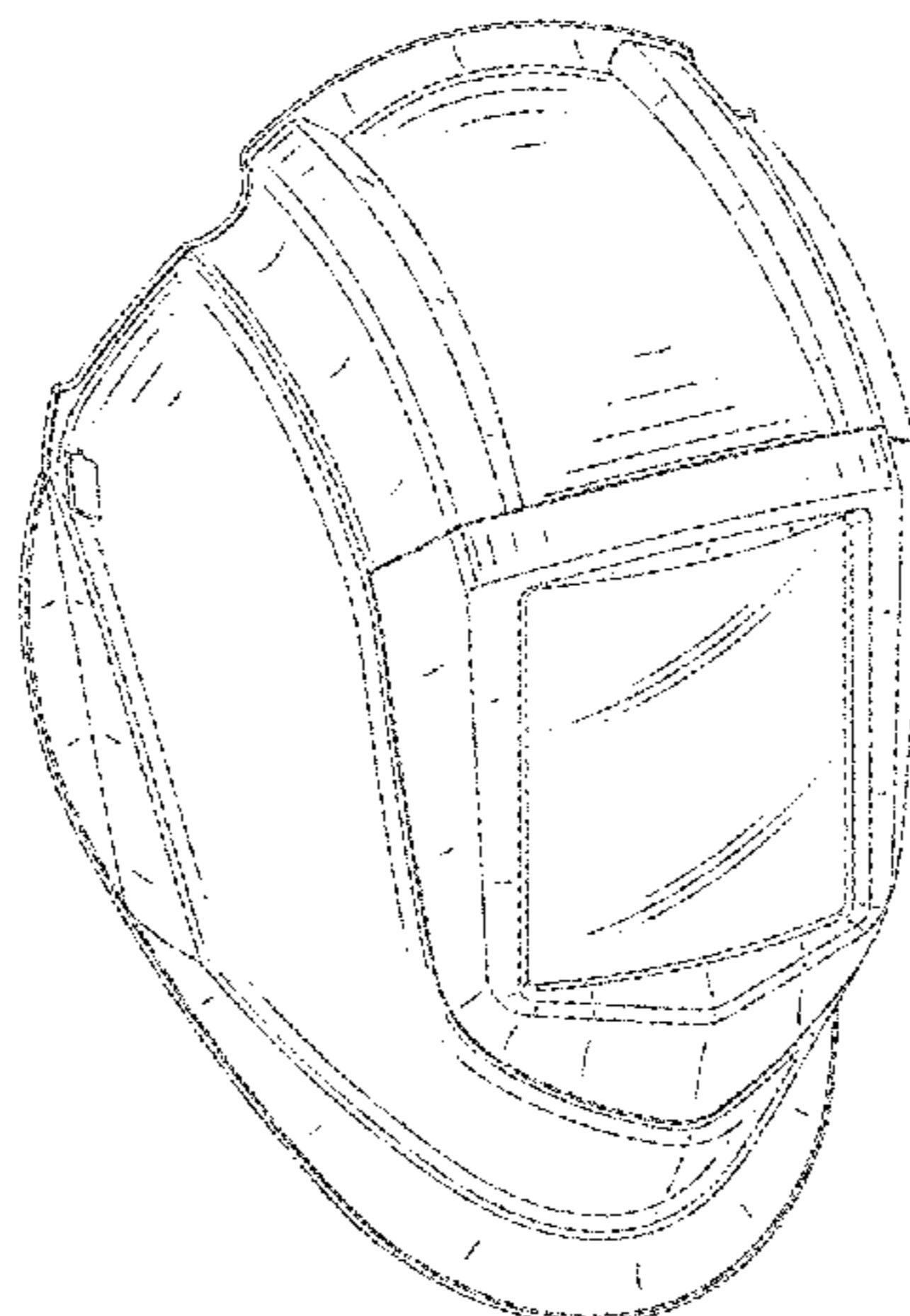
The ornamental design for a weld cap, as shown and described.

DESCRIPTION

FIG. 1 is a left, front, top perspective view of a weld cap, showing my new design;
 FIG. 2 is a right, front, top perspective view thereof;
 FIG. 3 is a left, rear, bottom perspective view thereof;
 FIG. 4 is a front elevation view thereof;
 FIG. 5 is a rear elevation view thereof;
 FIG. 6 is a left side elevation view thereof;
 FIG. 7 is a right side elevation view thereof;
 FIG. 8 is a top plan view thereof; and,
 FIG. 9 is a bottom plan view thereof.

The portions shown in FIGS. 1-9 are lightly lined for contour only and do not contribute to the claimed design. No claim is made to surface texture of the particular design.

1 Claim, 9 Drawing Sheets



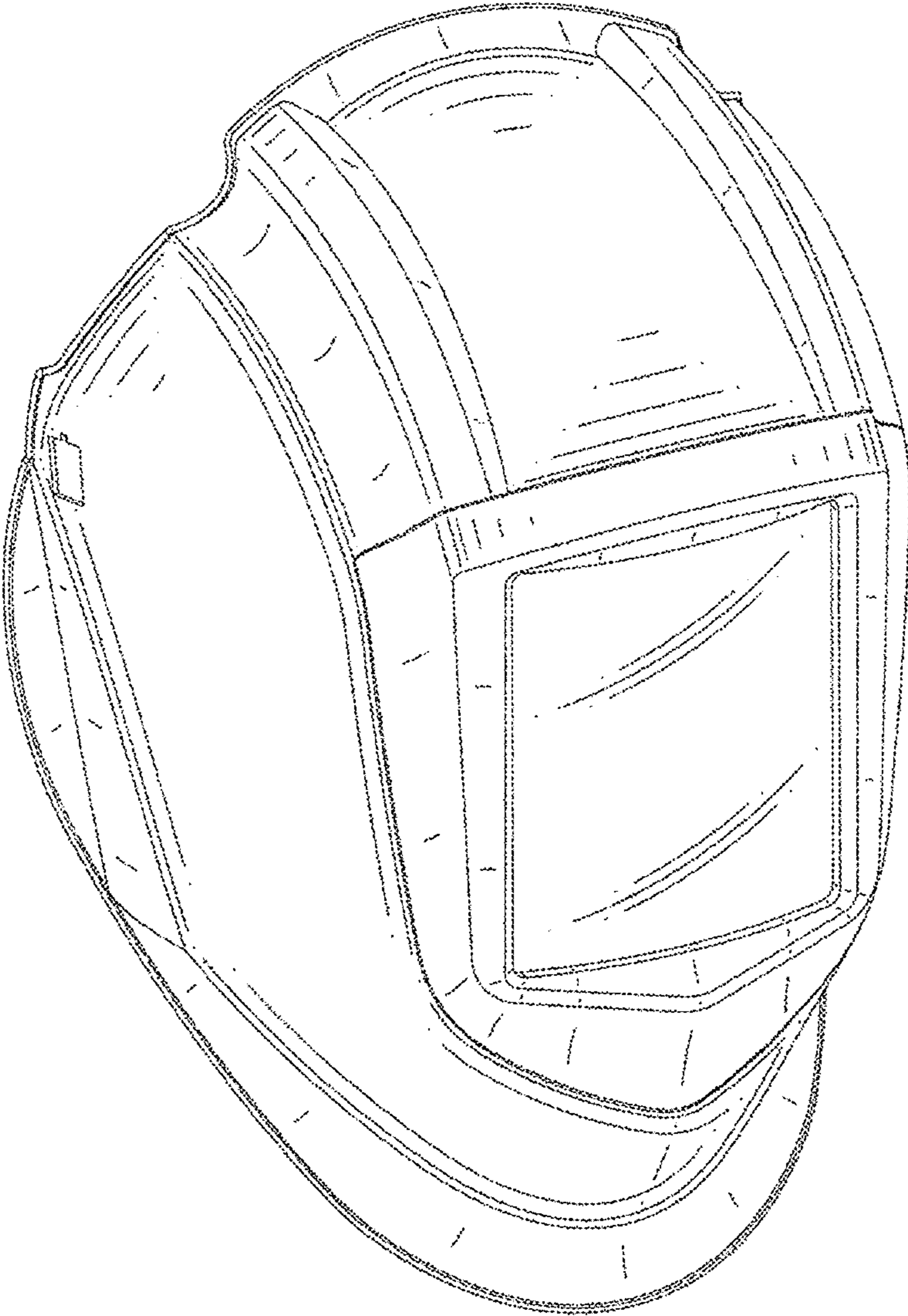


FIG.1

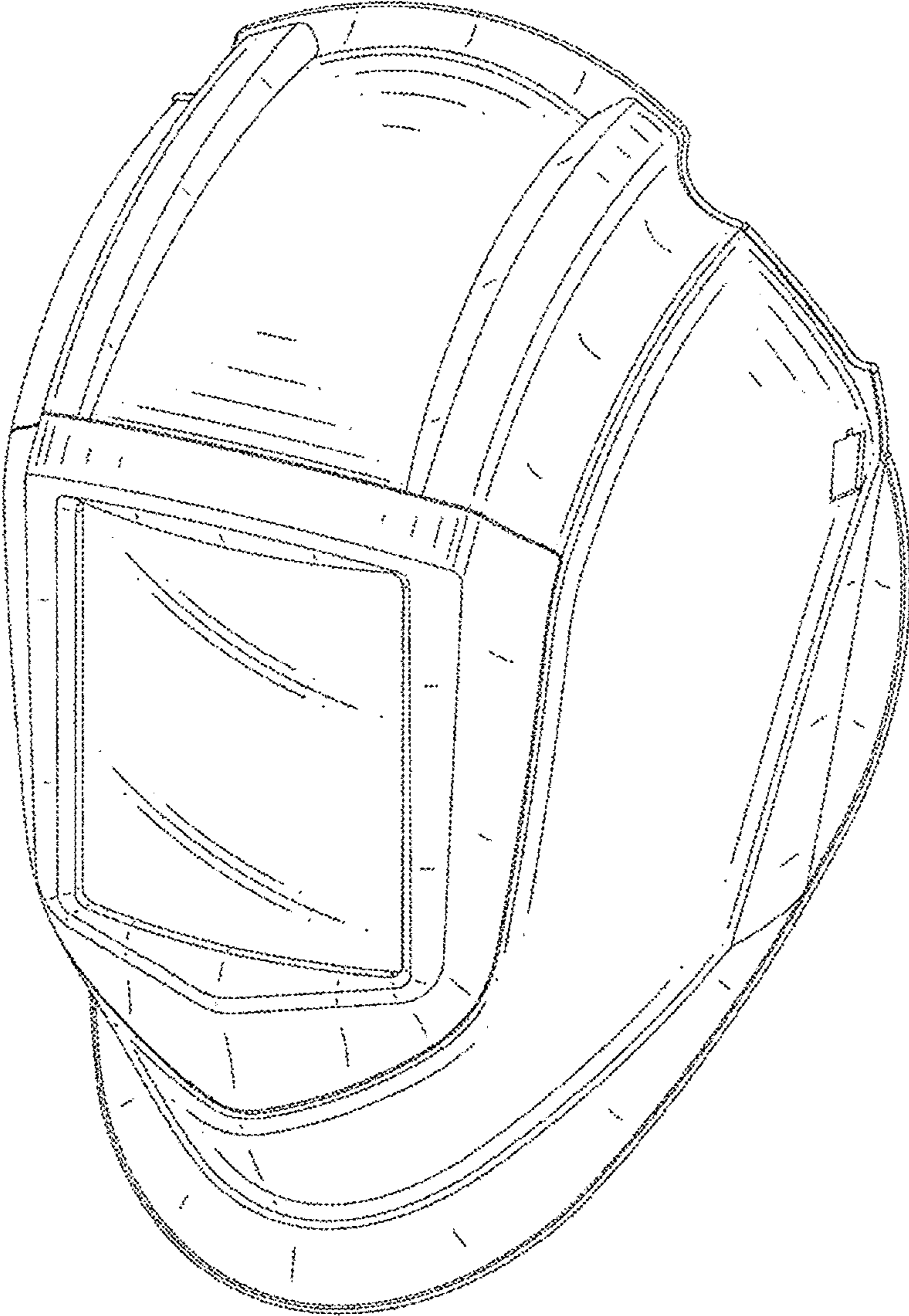


FIG.2

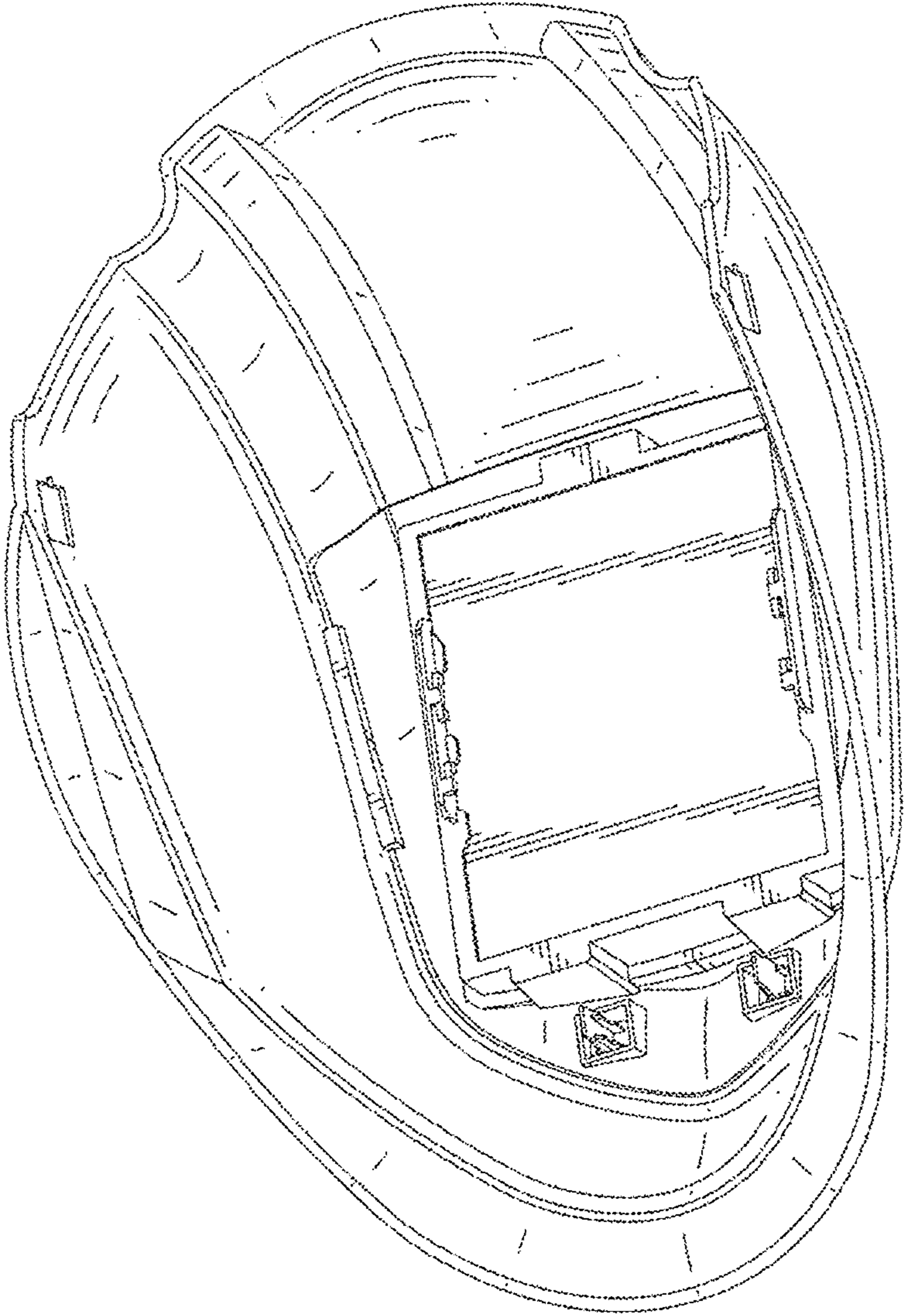


FIG.3

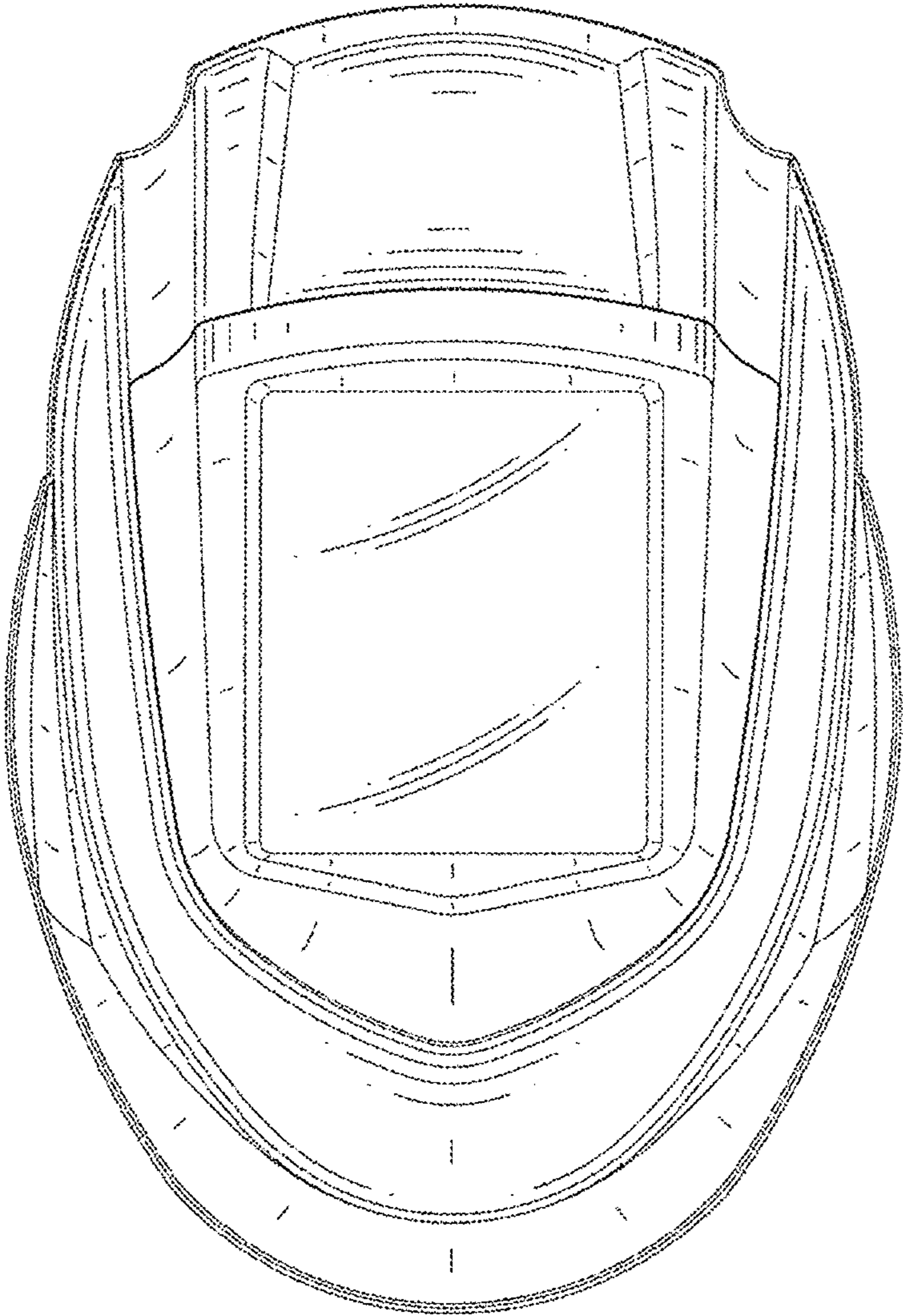


FIG.4

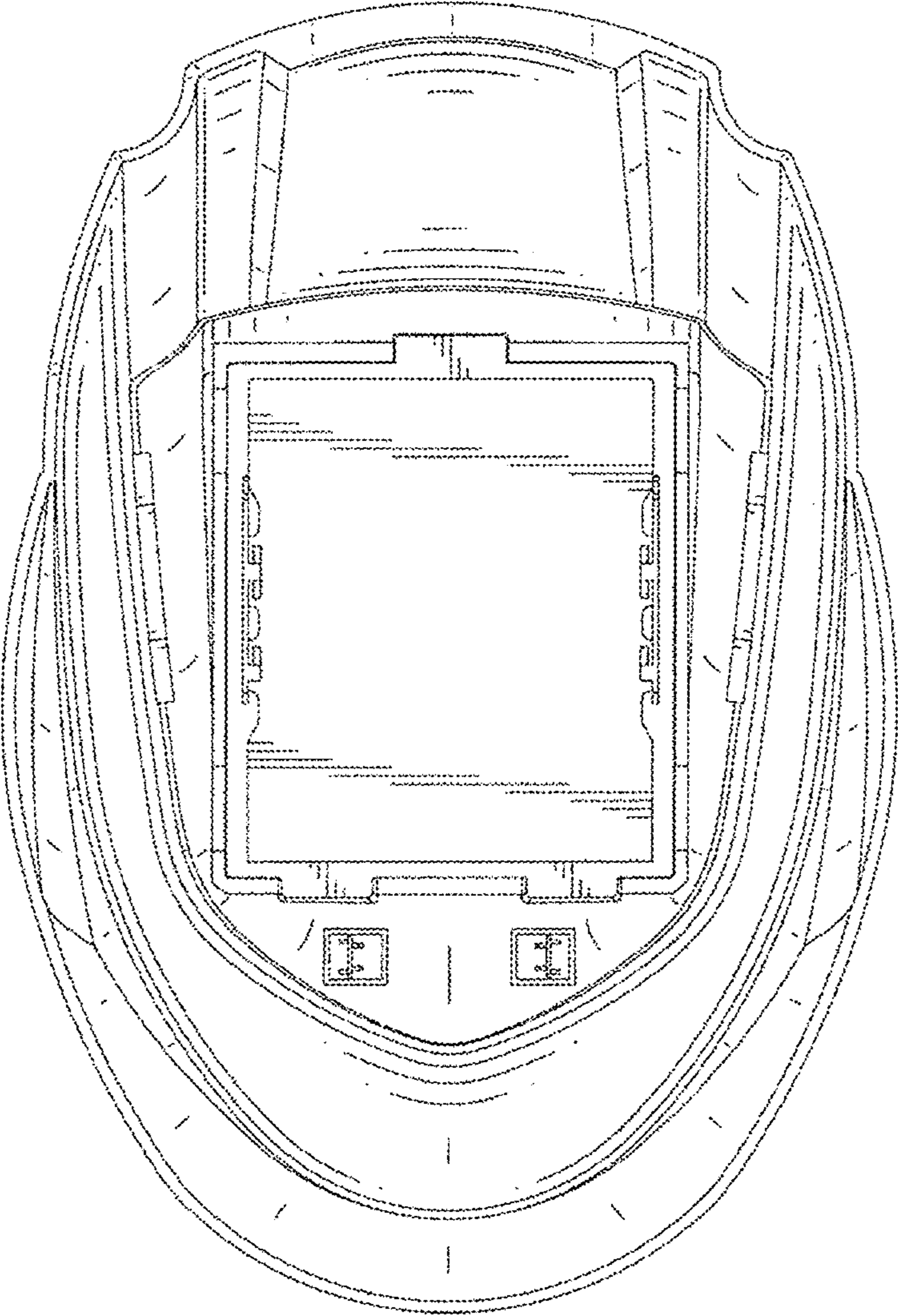


FIG.5

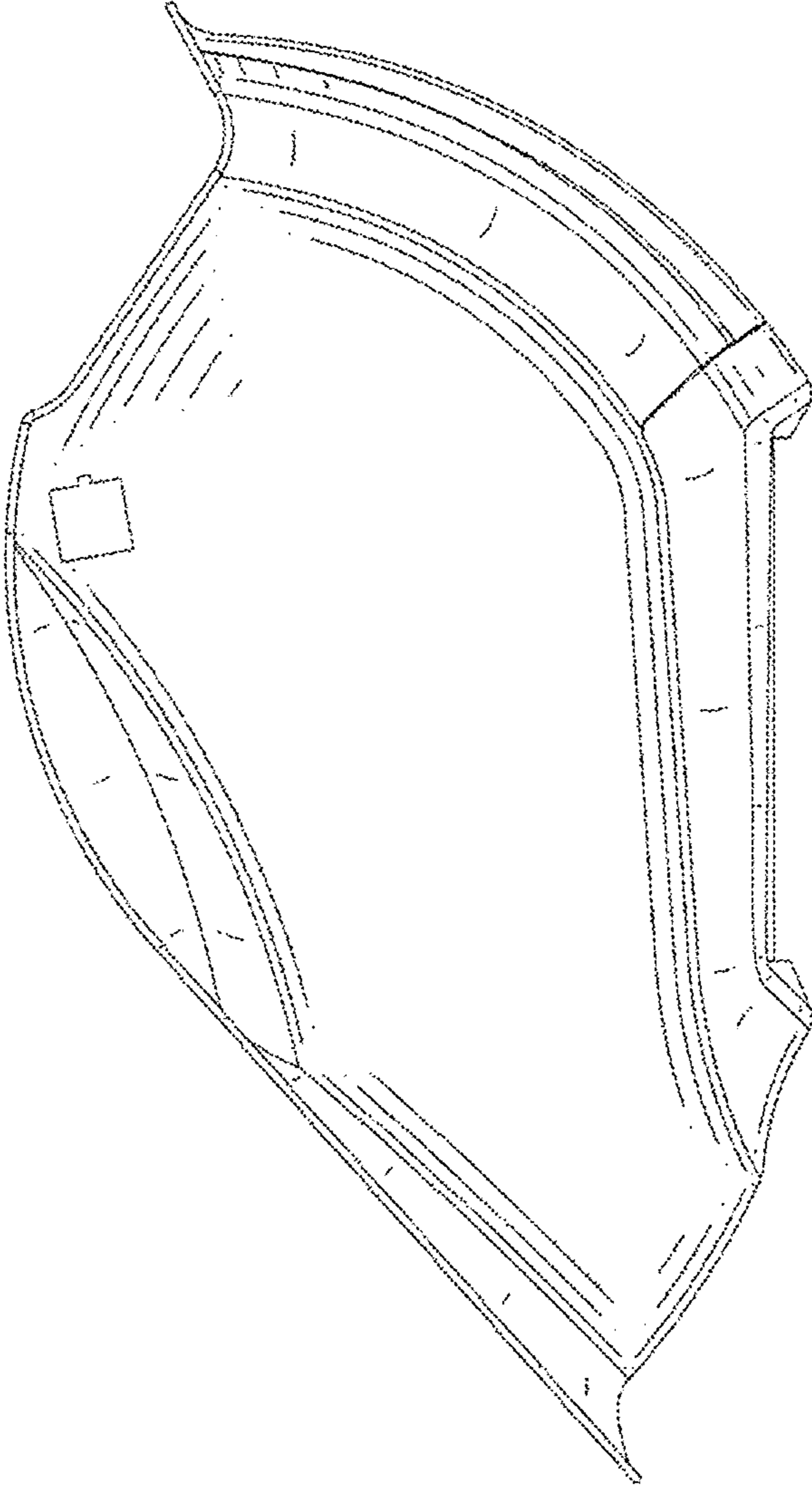


FIG.6

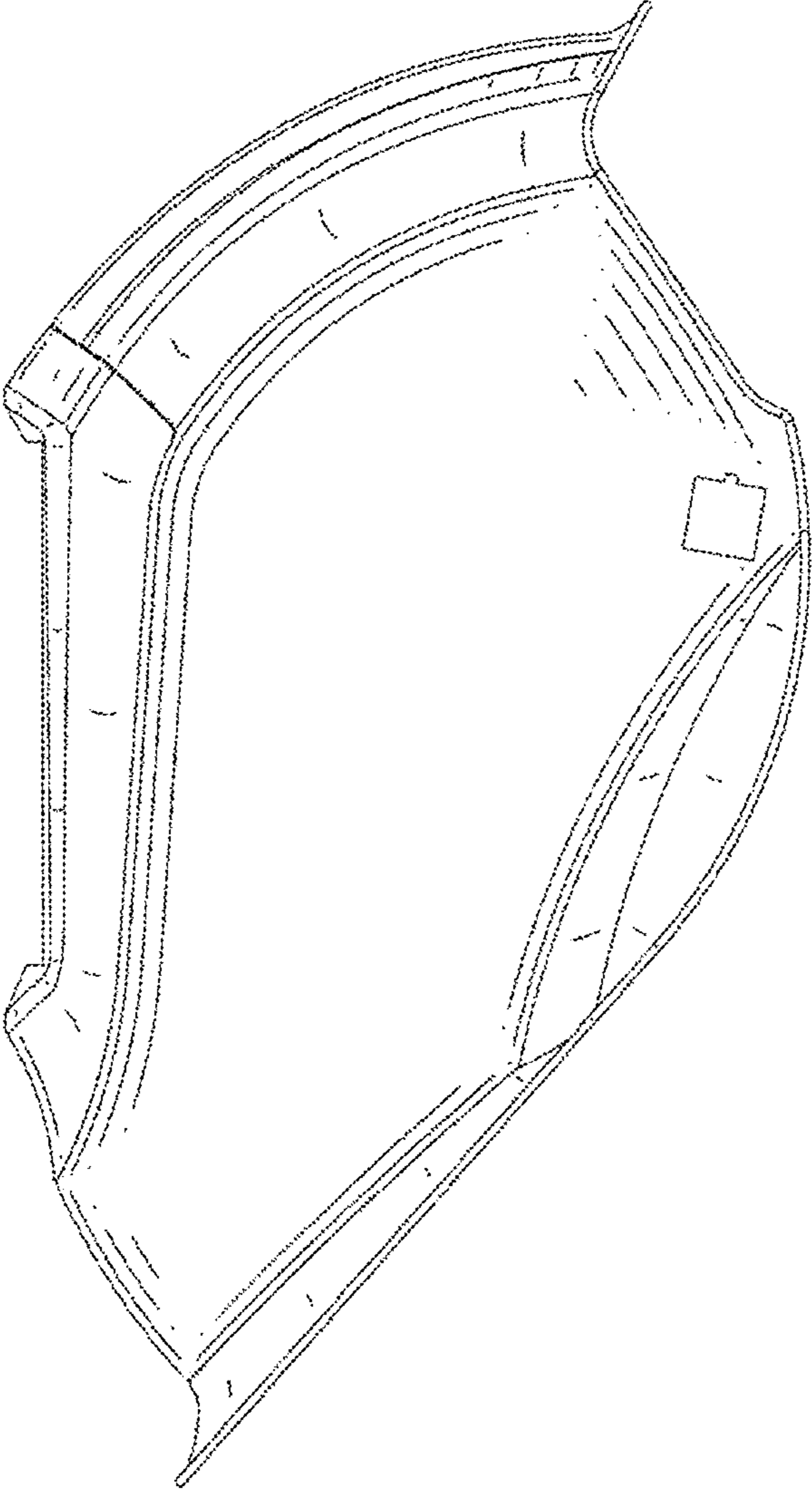


FIG.7

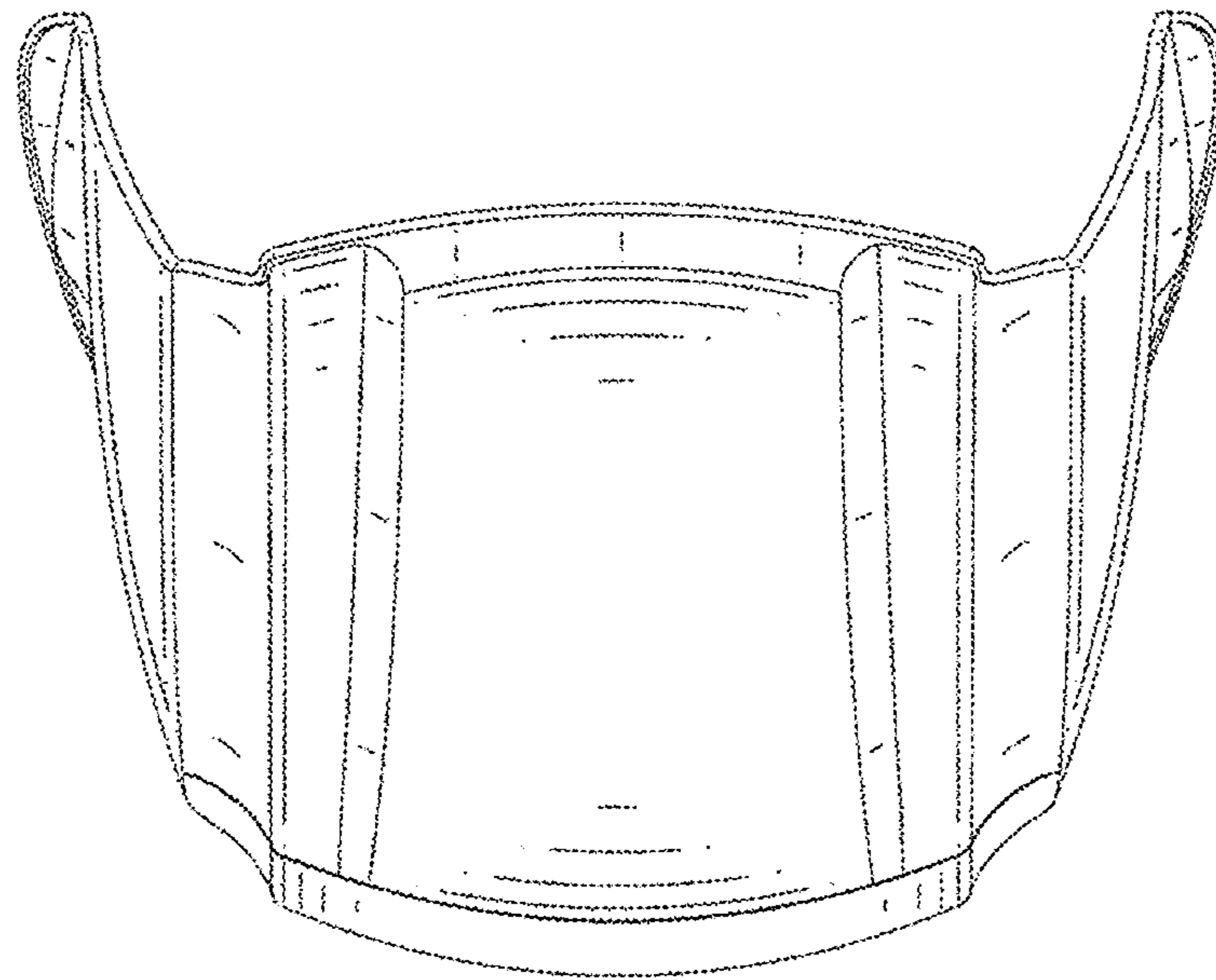


FIG.8

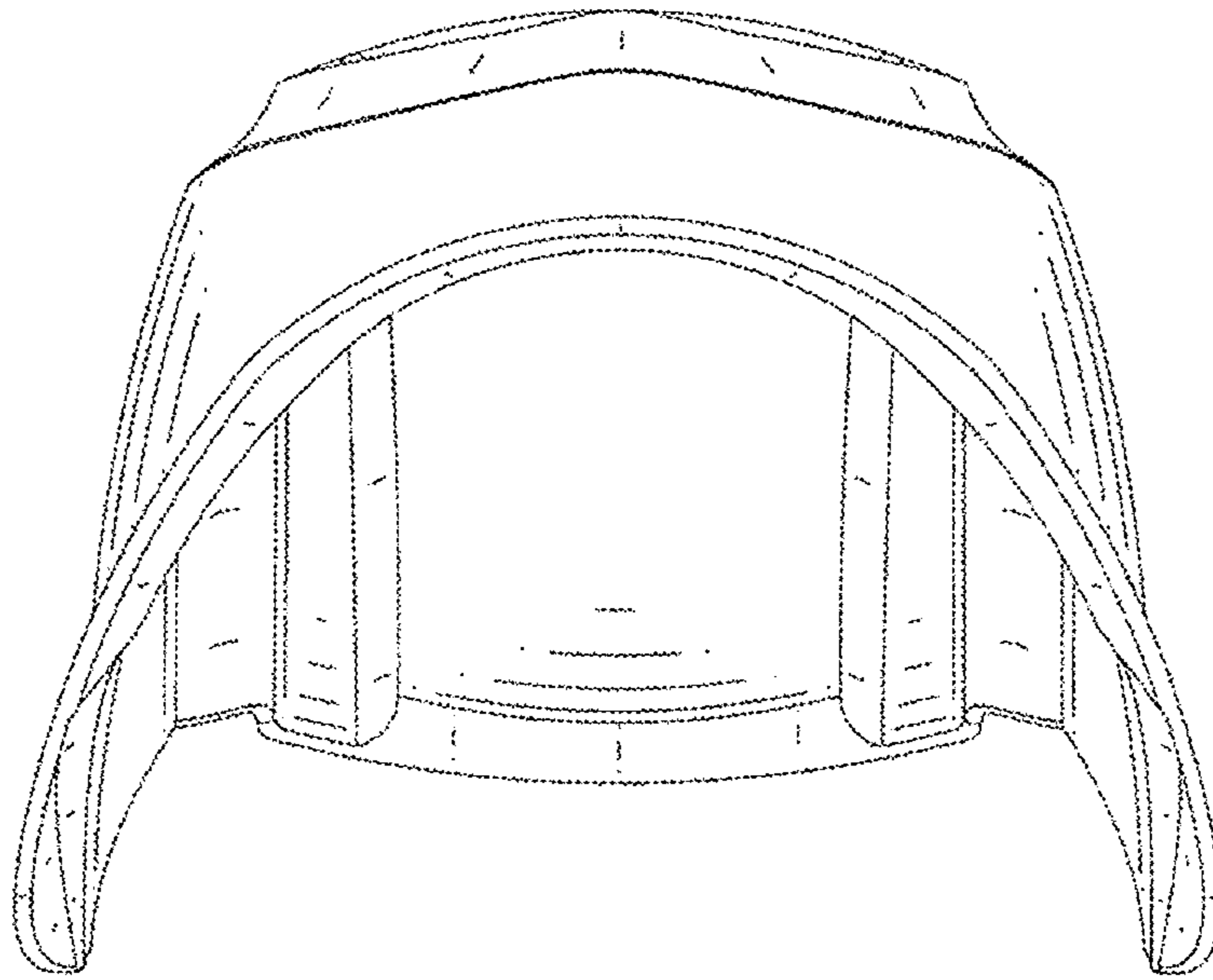


FIG.9