



US00D753343S

(12) **United States Design Patent**  
**Yiu**

(10) **Patent No.:** **US D753,343 S**  
(45) **Date of Patent:** **\*\* Apr. 5, 2016**

(54) **CARTRIDGE FOR COSMETIC DEVICE**

(71) Applicant: **Soft Lines International, Ltd.,**  
Kowloon (HK)

(72) Inventor: **Wai Wah Yiu, Kowloon (HK)**

(73) Assignee: **SOFT LINES**  
**INTERNATIONAL, LTD., Kowloon**  
(HK)

(\*\*) Term: **14 Years**

(21) Appl. No.: **29/522,909**

(22) Filed: **Apr. 3, 2015**

**Related U.S. Application Data**

(63) Continuation of application No. 29/502,870, filed on Sep. 19, 2014, now Pat. No. Des. 726,372, which is a continuation of application No. 14/035,075, filed on Sep. 24, 2013, which is a continuation of application No. 13/324,935, filed on Dec. 13, 2011, now Pat. No. 8,551,117.

(51) **LOC (10) Cl.** ..... **28-03**

(52) **U.S. Cl.**  
USPC ..... **D28/59; D28/62**

(58) **Field of Classification Search**  
USPC ..... 132/73, 73.5-73.6, 75.3, 75.6, 75.8,  
132/76.4-76.5; D28/56-59, 49-54, 62;  
30/43.92, 34.1, 26; D24/146, 133;  
606/131-134; 607/88  
CPC ..... A61B 17/54; A45D 44/00; A45D 29/00;  
A45D 29/14; A45D 29/05  
See application file for complete search history.

(56) **References Cited**

**U.S. PATENT DOCUMENTS**

1,482,837 A 2/1924 Buck  
2,395,296 A 2/1946 Schwab  
2,867,214 A 1/1959 Wilson

2,936,768 A 5/1960 Chamberlain  
3,581,393 A 6/1971 Yager  
D287,298 S 12/1986 Kibe et al.  
4,935,184 A 6/1990 Sorensen  
5,033,485 A 7/1991 Hauerwas et al.  
5,281,233 A 1/1994 Dolev  
5,377,699 A 1/1995 Varnum

(Continued)

**FOREIGN PATENT DOCUMENTS**

CN 101116576 2/2008  
CN 201051937 4/2008

(Continued)

**OTHER PUBLICATIONS**

U.S. Appl. No. 29/488,296, filed Apr. 17, 2014, Soft Lines International, Ltd.

(Continued)

*Primary Examiner* — Jennifer Rivard  
(74) *Attorney, Agent, or Firm* — Foley & Lardner LLP

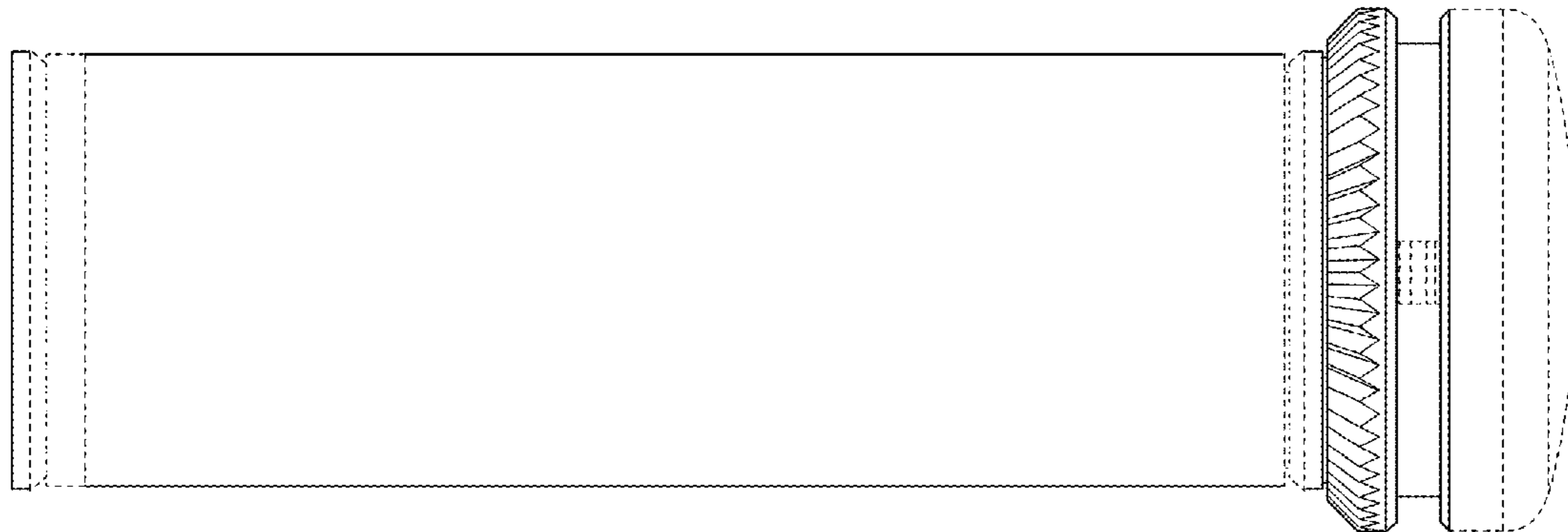
(57) **CLAIM**

I claim the ornamental design for a cartridge for cosmetic device, as shown and described.

**DESCRIPTION**

FIG. 1 is a top, front and left perspective view of the claimed design, the opposite perspective view being a mirror image thereof;  
FIG. 2 is a top perspective view thereof rotated clockwise 90 degrees;  
FIG. 3 is a front elevation view thereof, the rear elevation view being a mirror image thereof; and,  
FIG. 4 is a top plan view thereof.  
The broken lines illustrate portions of the cartridge for cosmetic device and form no part of the claimed design.

**1 Claim, 3 Drawing Sheets**



(56)

References Cited

U.S. PATENT DOCUMENTS

5,383,273	A	1/1995	Muller et al.	
D409,335	S	5/1999	Slater	
5,918,607	A	7/1999	Zucker	
5,976,157	A	11/1999	Yiu	
6,055,731	A	5/2000	Zucker	
6,123,713	A	9/2000	Yiu	
6,159,222	A	12/2000	Yiu	
D443,627	S	6/2001	West	
6,305,084	B1	10/2001	Zucker	
6,391,034	B1	5/2002	Adamson et al.	
6,436,106	B2	8/2002	Yiu	
6,442,840	B2	9/2002	Zucker	
6,471,712	B2	10/2002	Burres	
6,523,546	B2	2/2003	Jo et al.	
6,551,262	B1	4/2003	Lechtman	
D487,661	S	3/2004	Signorati	
6,824,461	B1	11/2004	Dolev	
6,824,546	B1	11/2004	Yiu	
D499,842	S	12/2004	Yiu	
D509,626	S	9/2005	Yiu	
D543,660	S	5/2007	Cheung	
D556,380	S	11/2007	Long	
7,347,211	B1	3/2008	Macklin	
D581,596	S	11/2008	Sarway	
D598,165	S	8/2009	Platek	
7,581,545	B1	9/2009	Moldawski et al.	
7,597,696	B2	10/2009	Poran	
D611,198	S	3/2010	Platek	
D626,693	S	11/2010	Harbeke	
D628,744	S	12/2010	Goetschi	
D638,166	S	5/2011	Martinez De San Vicente	
D645,204	S	9/2011	Platek	
8,137,363	B2 *	3/2012	Cho	606/131
8,316,546	B2 *	11/2012	Oh	30/43.6
D676,200	S	2/2013	Yiu	
D678,614	S	3/2013	Yiu	
D681,277	S	4/2013	Yiu	
D686,370	S	7/2013	Yiu	
D692,181	S	10/2013	Yiu	
8,545,516	B1	10/2013	Winnett et al.	
8,601,696	B2 *	12/2013	Ben-Ari	30/43.4
D701,648	S	3/2014	Yiu	
D706,487	S	6/2014	Yiu	
D706,986	S	6/2014	Yiu	
D709,650	S	7/2014	Yiu	
D715,493	S	10/2014	Yiu	

D715,495	S	10/2014	Yiu
D726,372	S	4/2015	Yiu
2002/0050278	A1	5/2002	Jo et al.
2002/0107527	A1	8/2002	Burres
2004/0181241	A1	9/2004	Jo et al.
2004/0185067	A1	9/2004	Daikuzono
2005/0187563	A1	8/2005	Yiu
2006/0218793	A1	10/2006	Zucker
2006/0260629	A1	11/2006	Chern
2007/0125097	A1	6/2007	Habatjou
2008/0187563	A1	8/2008	Levy
2009/0004953	A1	1/2009	Kinsey
2009/0182349	A1	7/2009	Poran
2009/0301507	A1	12/2009	Tes et al.
2013/0081645	A1	4/2013	Caviness

FOREIGN PATENT DOCUMENTS

CN	101312692	11/2008
CN	101933879	1/2011
DE	37 40 902	12/1988
DE	201 04 304 U1	5/2001
DE	2020080 05 686	7/2008
EP	1 707 326	10/2006
FR	2728777	7/1996
JP	48-042304	12/1973
JP	59-137084	8/1984
JP	2006-055489	3/2006
KR	10-2007-0017427	2/2007
KR	10200717427	2/2007
WO	WO-02/28296	4/2002
WO	WO-2004/002339	1/2004
WO	WO-2009/065184	5/2009

OTHER PUBLICATIONS

U.S. Appl. No. 29/488,301, filed Apr. 17, 2014, Soft Lines International, Ltd.

U.S. Appl. No. 29/497,602, filed Jul. 25, 2014, Soft Lines International, Ltd.

U.S. Appl. No. 29/501,546, filed Sep. 5, 2014, Soft Lines International, Ltd.

Emjoi RotoShave, First Electric Razor, [www.youtube.com/watch?v=HKxUhMmP\\_rs&noredirect=1](http://www.youtube.com/watch?v=HKxUhMmP_rs&noredirect=1), retrieved on Jan. 6, 2014, 1 page.

Images of a Rotoshave razor believed to be on sale more than one year before the filing of the present application, 7 pages.

\* cited by examiner

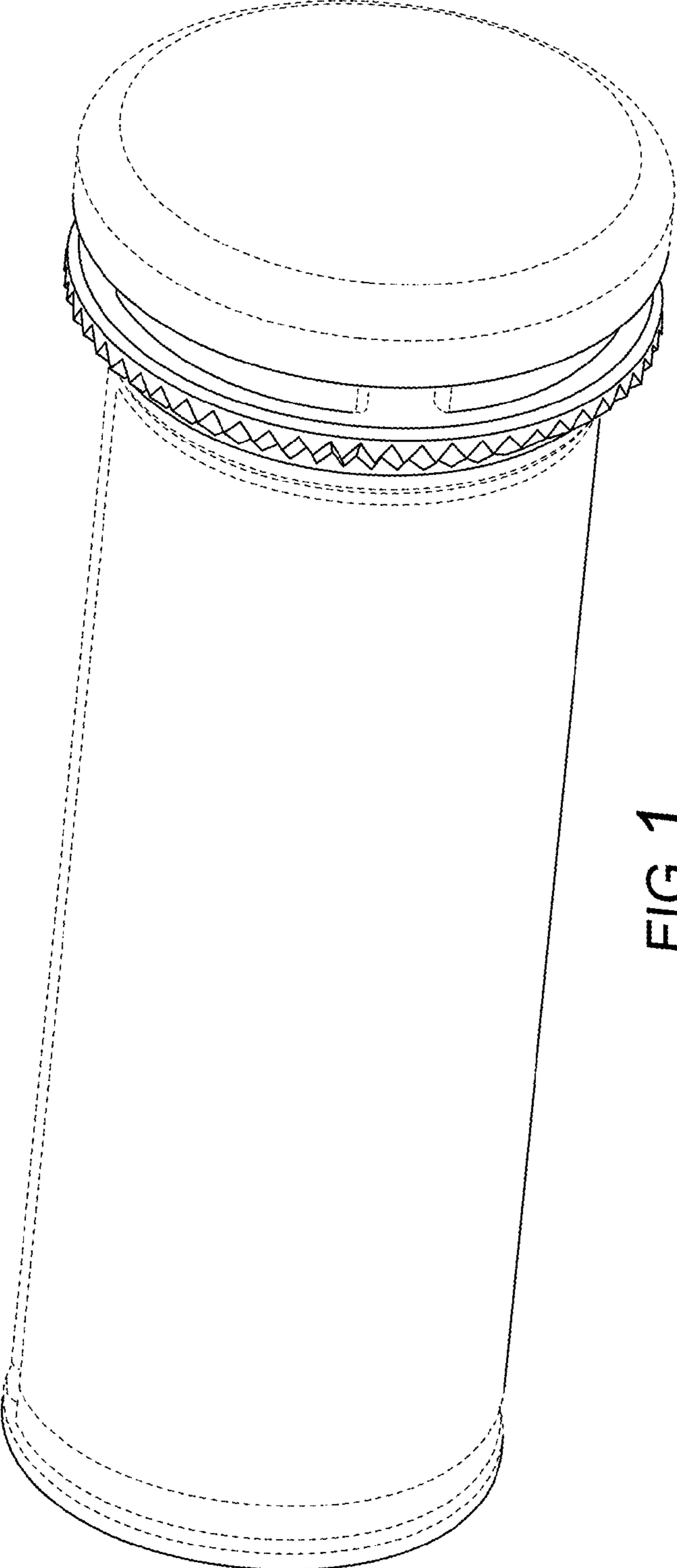


FIG. 1

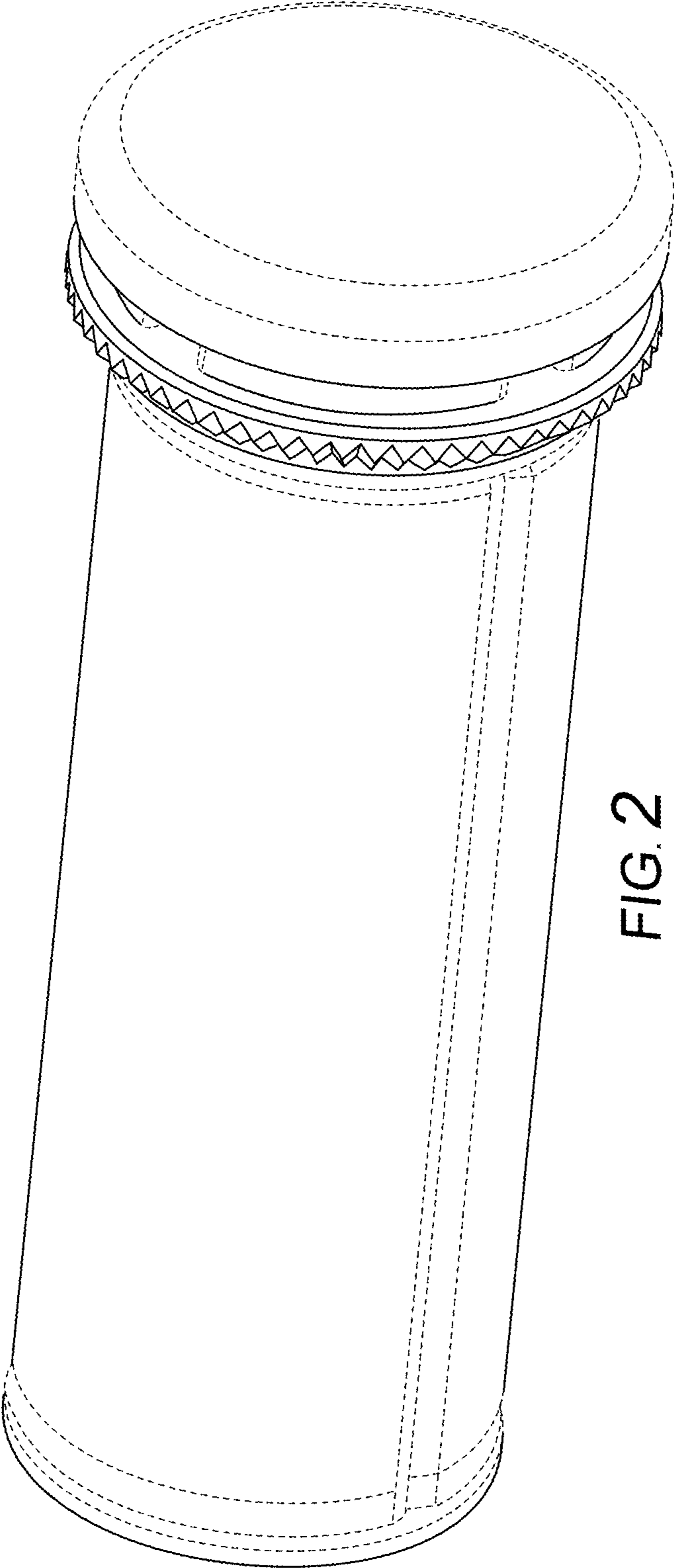


FIG. 2

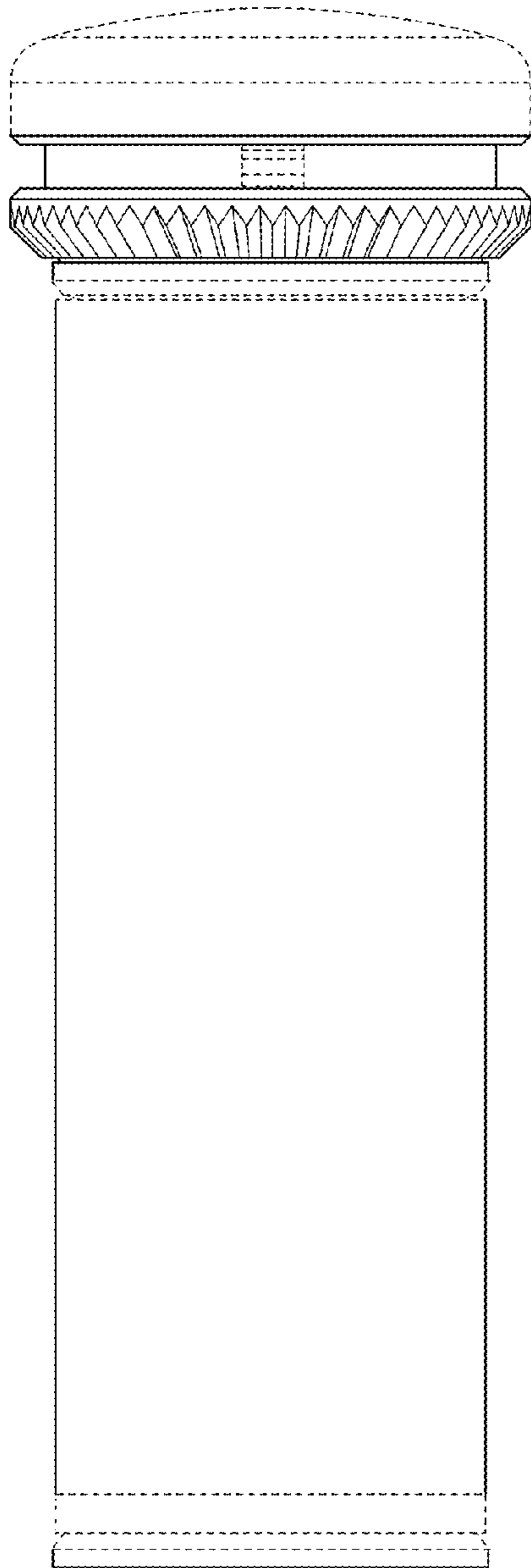


FIG. 3

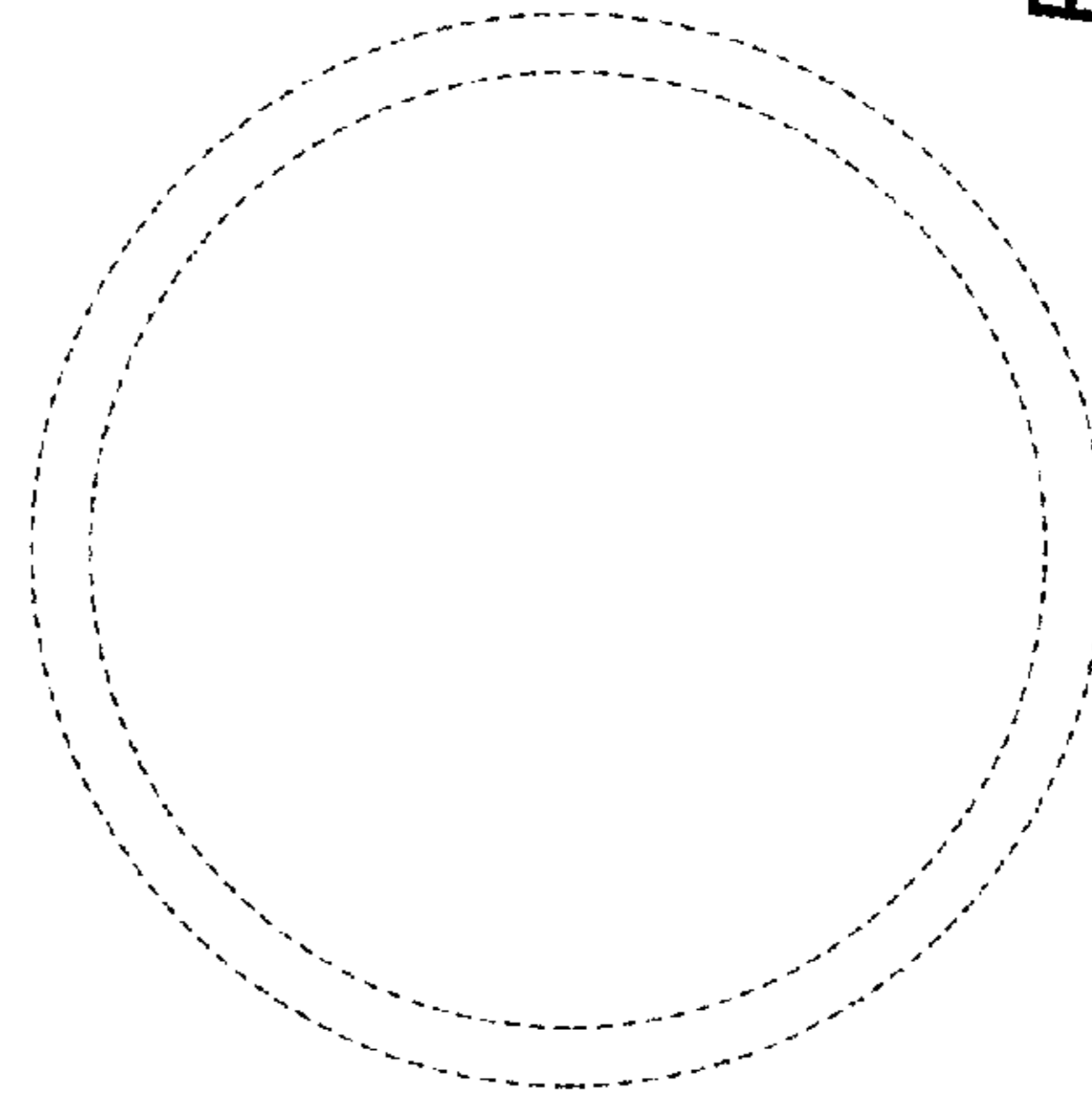


FIG. 4