

US00D753340S

(12) **United States Design Patent**
Taha

(10) **Patent No.:** **US D753,340 S**

(45) **Date of Patent:** **** Apr. 5, 2016**

(54) **PERSONAL VAPORIZER**

(71) Applicant: **Medipath, Inc.**, Newport Beach, CA
(US)

(72) Inventor: **Ashraf Taha**, Costa Mesa, CA (US)

(**) Term: **14 Years**

(21) Appl. No.: **29/499,497**

(22) Filed: **Aug. 15, 2014**

(51) **LOC (10) Cl.** **27-02**

(52) **U.S. Cl.**
USPC **D27/165; D27/163**

(58) **Field of Classification Search**
USPC D27/101, 148, 163, 165, 171; D19/137;
D9/600; D28/85, 88, 89, 4, 7
CPC A24F 3/00; A24F 47/002; A24F 47/004;
A24F 47/006; A24F 47/008; A61M 15/06;
A45D 40/02; A45D 40/06; A45D 40/04
See application file for complete search history.

(56) **References Cited**

U.S. PATENT DOCUMENTS

3,308,939	A *	3/1967	Sakaly	A45D 40/06 401/78
D254,151	S *	2/1980	Wolff	D27/142
D364,006	S *	11/1995	Kamen	D28/88
D364,486	S *	11/1995	Tsai	D28/88
D365,176	S *	12/1995	Heinrich	D26/38

D458,707	S *	6/2002	Najar	D27/165
D541,990	S *	5/2007	Hsu	D28/89
D558,926	S *	1/2008	Breidenbach	D28/88
D666,733	S *	9/2012	Caggiano	D24/215
D725,821	S *	3/2015	Levin	D27/101
D725,822	S *	3/2015	Liu	D27/101
2013/0223914	A1 *	8/2013	Duru	A45D 34/00 401/2

* cited by examiner

Primary Examiner — Susan Bennett Hattan

Assistant Examiner — Janice Hallmark

(74) *Attorney, Agent, or Firm* — Sheppard Mullin Richter & Hampton LLP

(57) **CLAIM**

I claim the ornamental design for a personal vaporizer, as shown and described.

DESCRIPTION

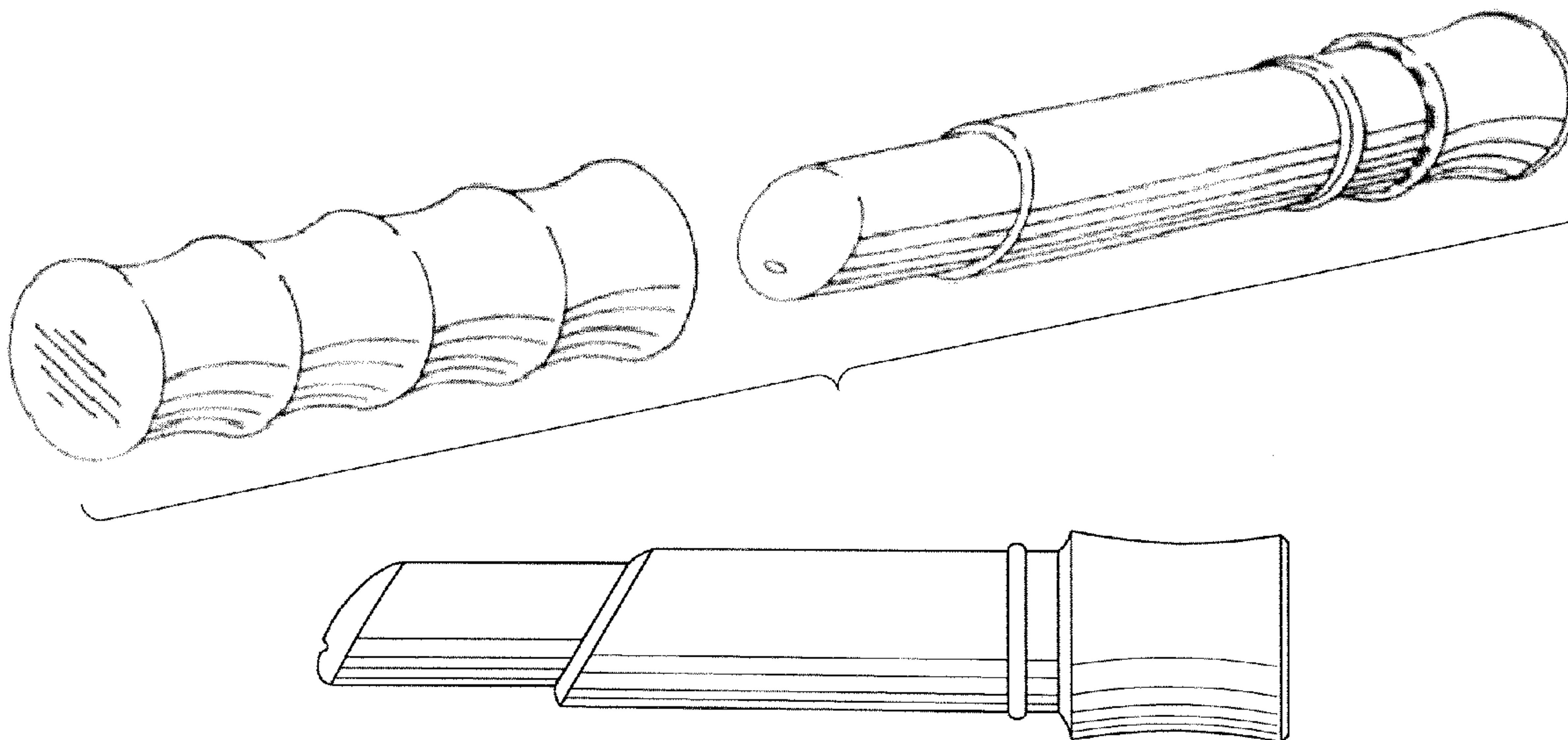
FIG. 1 is an exploded perspective view of a personal vaporizer showing my new design with the cap portion separated from the base for clarity of disclosure;

FIG. 2 is a side elevational view of the base portion of the personal vaporizer;

FIG. 3 is a top plan view of the base portion of the personal vaporizer; and,

FIG. 4 is a bottom plan view of the personal vaporizer.

1 Claim, 1 Drawing Sheet



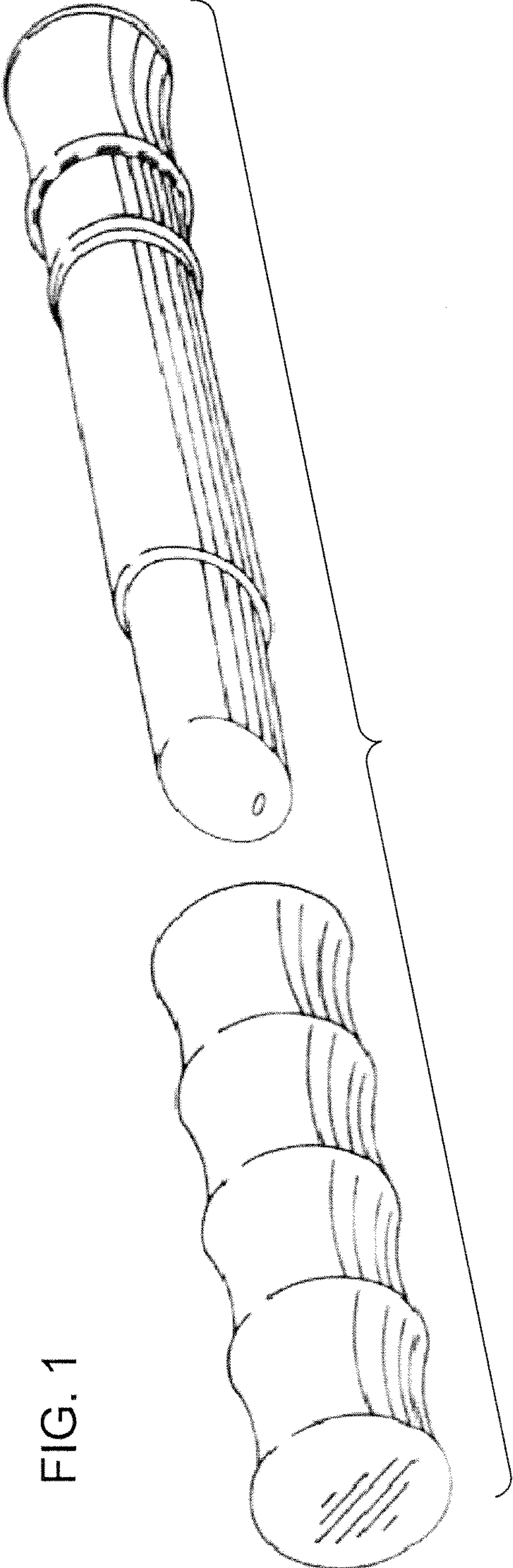


FIG. 1

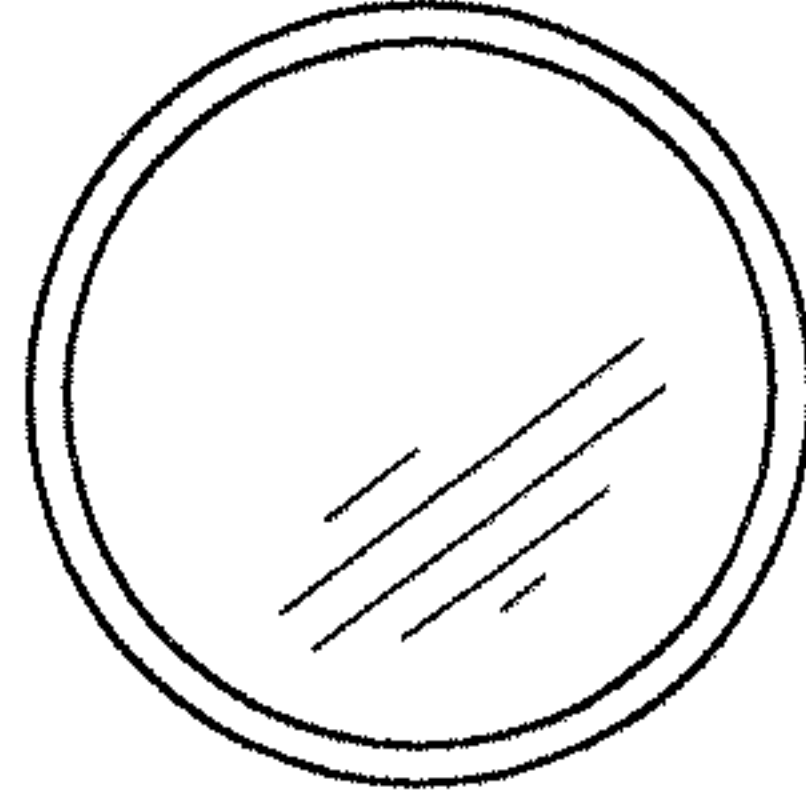


FIG. 4

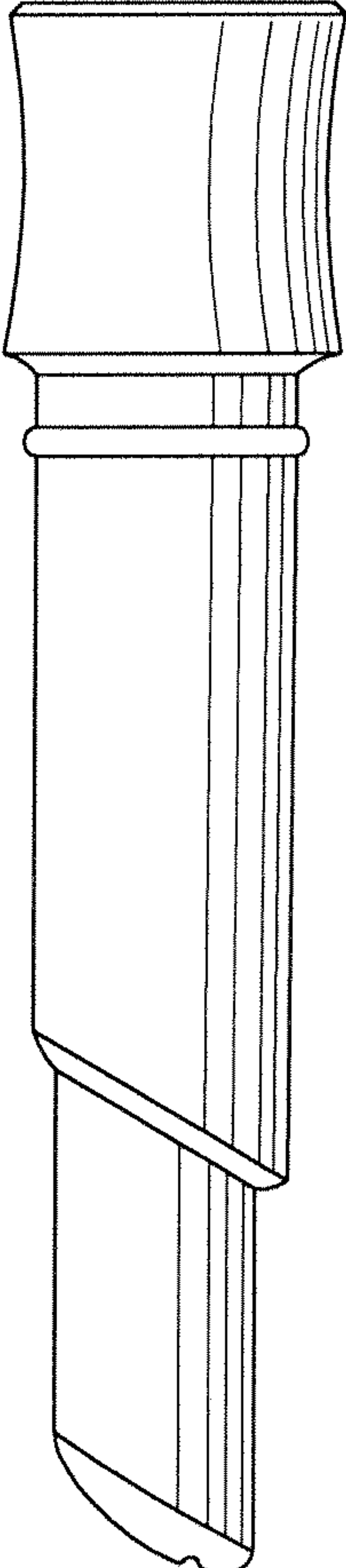


FIG. 2

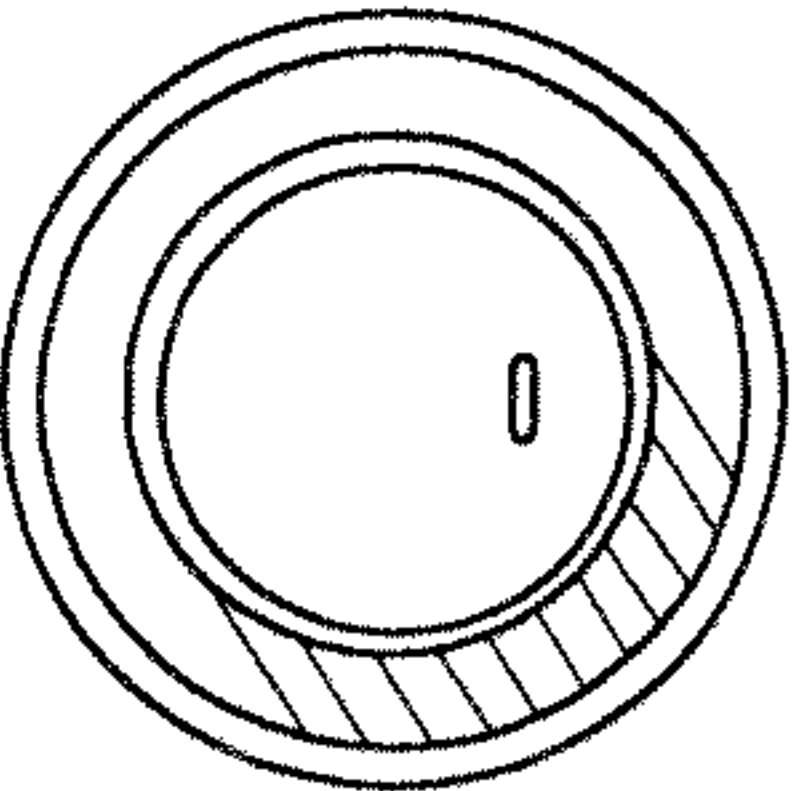


FIG. 3