



US00D753339S

(12) **United States Design Patent**  
**Greeley**

(10) **Patent No.:** **US D753,339 S**  
(45) **Date of Patent:** **\*\* Apr. 5, 2016**

(54) **PERSONAL VAPORIZER**

(71) Applicant: **Medipath, Inc.**, Newport Beach, CA (US)

(72) Inventor: **Marc Greeley**, Costa Mesa, CA (US)

(73) Assignee: **Medipath, Inc.**, Newport Beach, CA (US)

(\*\*) Term: **14 Years**

(21) Appl. No.: **29/499,438**

(22) Filed: **Aug. 14, 2014**

(51) **LOC (10) Cl.** ..... **27-02**

(52) **U.S. Cl.**  
USPC ..... **D27/162**

(58) **Field of Classification Search**  
USPC ..... D27/162-169; 131/173, 178, 214, 222, 131/226, 329, 330; 215/370; D9/500, 516, D9/519, 557, 558; D23/360, 366; D22/116  
CPC ..... A24F 1/00; A24F 1/30; A24F 1/32; A24F 3/00; A24F 5/00; A24F 7/00; A24F 9/00; A24F 9/14; F42B 12/74  
See application file for complete search history.

(56) **References Cited**

**U.S. PATENT DOCUMENTS**

1,241,409 A \* 9/1917 Lizarraga ..... F42B 12/74  
102/501

2,683,416 A \* 7/1954 Keller ..... F42B 12/06  
102/513

3,209,691 A \* 10/1965 Herter ..... F42B 5/28  
102/464

3,429,263 A \* 2/1969 Lont ..... F42B 12/40  
102/513

4,158,364 A \* 6/1979 Ligeti ..... A24F 13/04  
131/173

5,463,959 A \* 11/1995 Kramer ..... F42B 5/26  
102/464

D403,562 S \* 1/1999 Molaro ..... D8/33

D444,171 S \* 6/2001 McCullough ..... D19/154

D447,208 S \* 8/2001 Benini ..... D22/116

6,523,475 B2 \* 2/2003 Smalley, Jr. .... F41A 21/12  
102/430

6,832,556 B1 \* 12/2004 Smalley, Jr. .... F41A 21/12  
102/430

7,086,336 B2 \* 8/2006 Smalley, Jr. .... F41A 21/12  
102/430

D529,418 S \* 10/2006 Muhl nickel ..... D12/162

D533,044 S \* 12/2006 Buening ..... D8/103

7,210,260 B1 \* 5/2007 Smalley, Jr. .... F41A 21/12  
102/431

D546,657 S \* 7/2007 Buening ..... D8/103

D630,761 S \* 1/2011 Marshall ..... D24/215

D646,179 S \* 10/2011 Jansen ..... D22/116

D664,042 S \* 7/2012 Kurpis ..... D22/116

D669,363 S \* 10/2012 Traskal ..... D9/680

D703,016 S \* 4/2014 Crane ..... D8/38

D706,108 S \* 6/2014 Kadel ..... D8/100

D736,046 S \* 8/2015 Crane ..... D8/38

2011/0290142 A1 \* 12/2011 Luchini ..... F42B 5/16  
102/439

2015/0107481 A1 \* 4/2015 Nygaard ..... F42B 12/74  
102/514

\* cited by examiner

*Primary Examiner* — Elizabeth Albert

(74) *Attorney, Agent, or Firm* — Sheppard, Mullin, Richter & Hampton LLP

(57) **CLAIM**

The ornamental design for a personal vaporizer, as shown and described.

**DESCRIPTION**

FIG. 1 is an exploded perspective view of a personal vaporizer showing my new design;

FIG. 2 is a side elevation view thereof in a closed state;

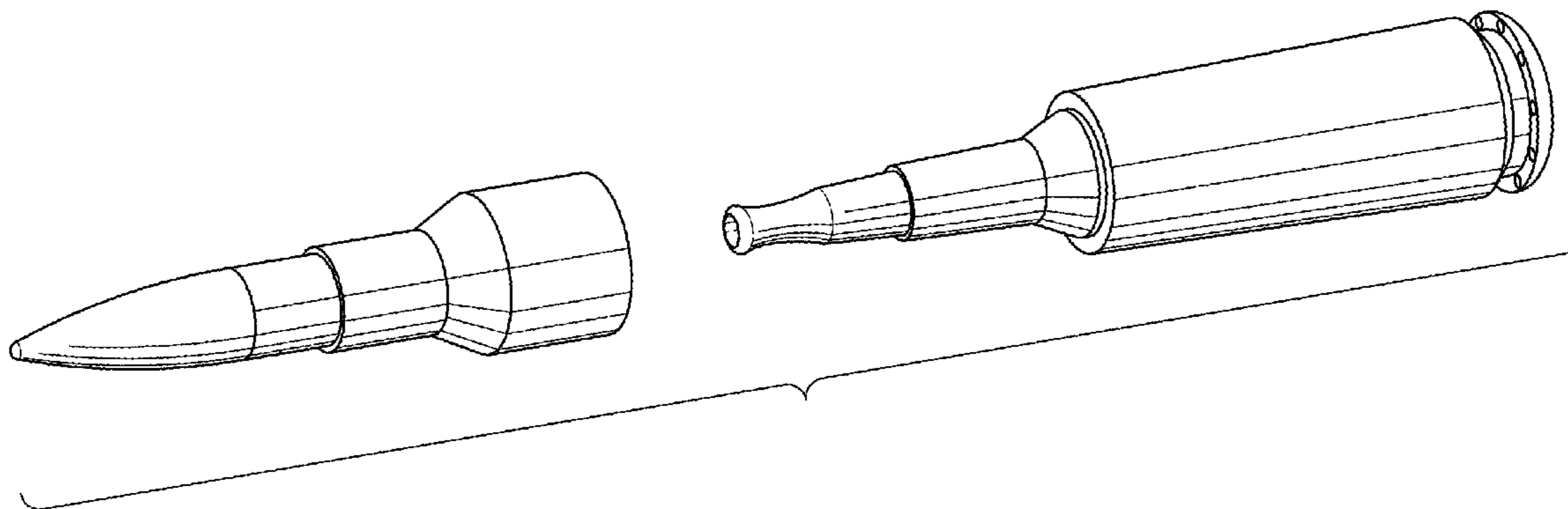
FIG. 3 is a left side view thereof;

FIG. 4 is a right side view thereof; and,

FIG. 5 is an exploded right side view thereof.

The broken lines in the drawing of FIG. 4 are included to show portions of the personal vaporizer that form no part of the claimed design.

**1 Claim, 3 Drawing Sheets**



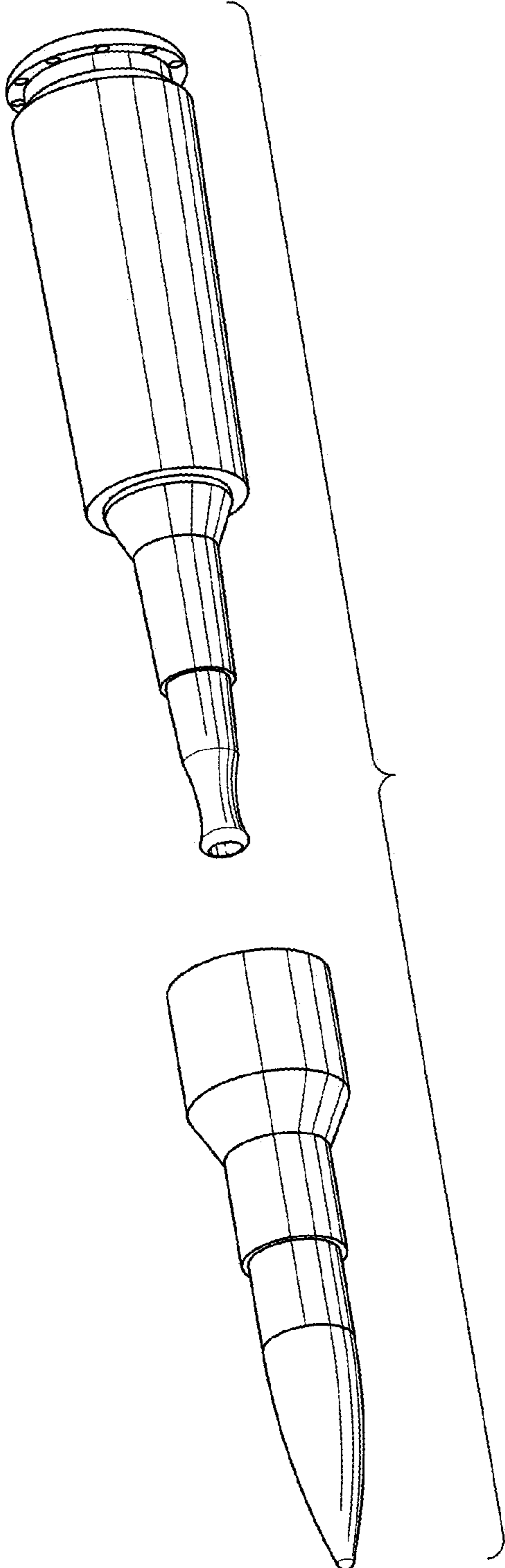


FIG. 1

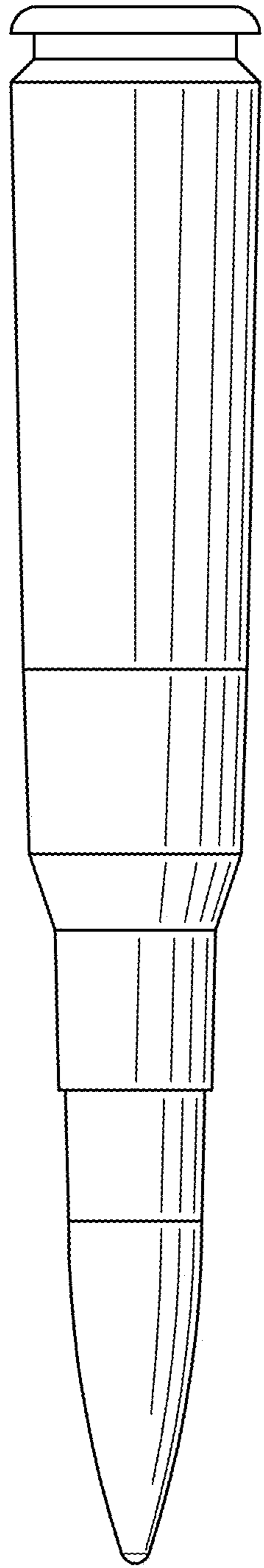


FIG. 2

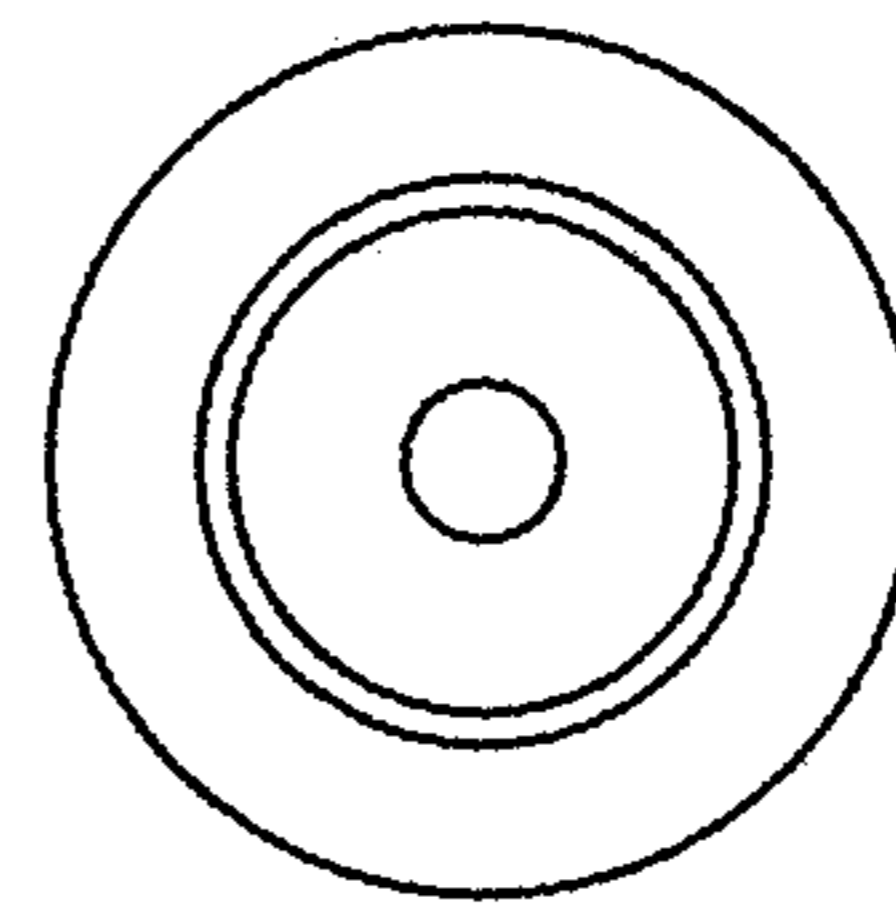


FIG. 3

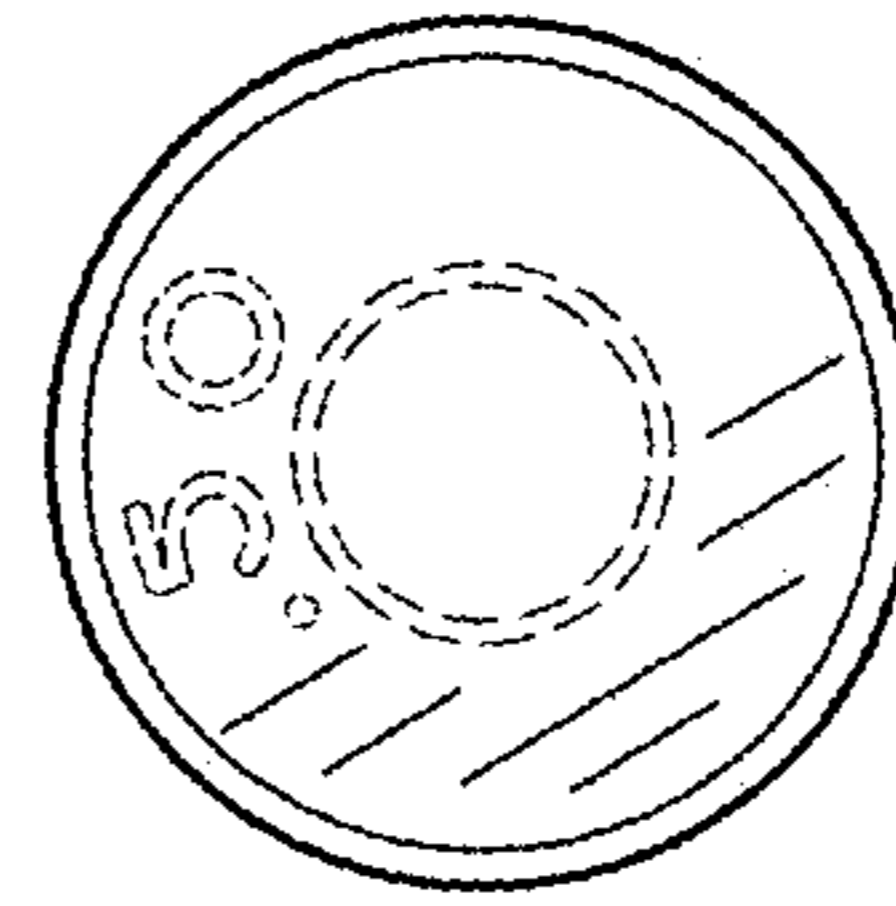


FIG. 4

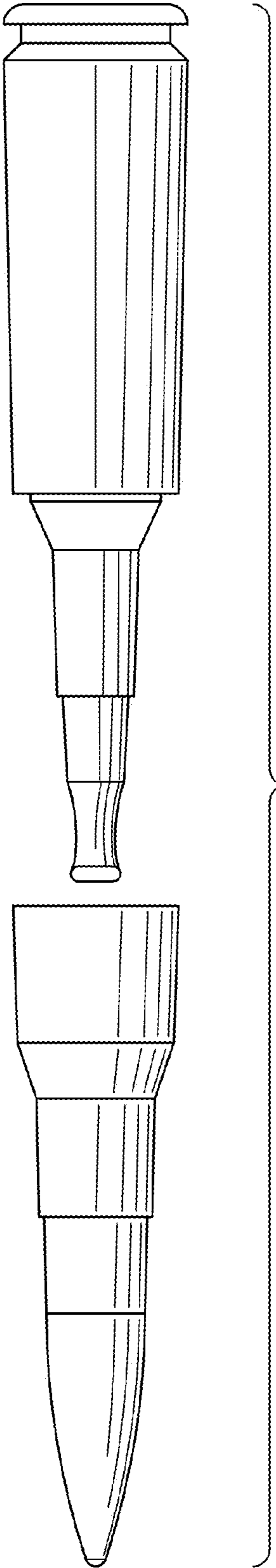


FIG. 5