



US00D753337S

(12) **United States Design Patent**
Blackledge

(10) **Patent No.:** **US D753,337 S**

(45) **Date of Patent:** **** Apr. 5, 2016**

(54) **ASHTRAY WITH LIGHTER**
(71) Applicant: **Albert H. Blackledge**, Pratt, KS (US)
(72) Inventor: **Albert H. Blackledge**, Pratt, KS (US)
(**) Term: **14 Years**
(21) Appl. No.: **29/514,524**

D181,067 S * 9/1957 Reichow 131/239
D188,711 S * 8/1960 Rasmussen 131/240.1
2,987,619 A * 6/1961 Rosenfeld A24F 19/10
131/238
D206,980 S * 2/1967 Herman D27/118
D223,310 S * 4/1972 Holister D27/118
D231,500 S * 4/1974 Loheide D27/108
D290,973 S * 7/1987 O'Neil D19/75
D293,485 S * 12/1987 Lothe D27/134
D430,952 S * 9/2000 Haywood D27/131

* cited by examiner

(22) Filed: **Jan. 13, 2015**
(51) **LOC (10) Cl.** **27-03**
(52) **U.S. Cl.**
USPC **D27/130**; D27/112; D27/143
(58) **Field of Classification Search**
USPC D27/102-106, 108-109, 112, 118, 121,
D27/123-126, 130, 133-135, 137, 139,
D27/141-143, 148, 152-153, 160-161
CPC . A24F 19/00; A24F 19/0035; A24F 19/0085;
A24F 15/08; A24F 19/10; A24F 15/10
See application file for complete search history.

Primary Examiner — Susan Bennett Hattan
Assistant Examiner — Janice Hallmark
(74) *Attorney, Agent, or Firm* — Tomlinson Rust McKinstry
Grable

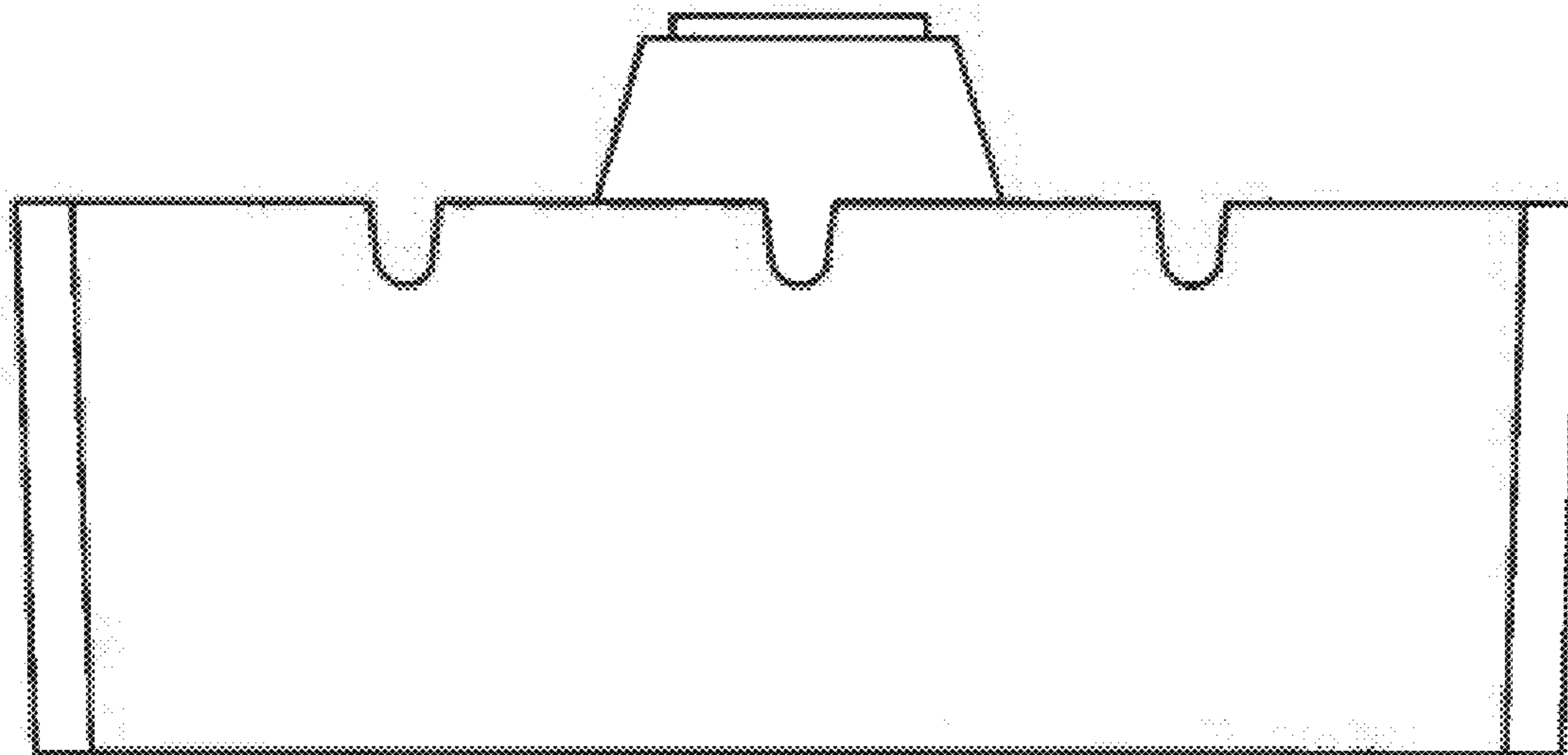
(57) **CLAIM**
The ornamental design for an ashtray with lighter, as shown
and described.

(56) **References Cited**
U.S. PATENT DOCUMENTS
D86,162 S * 2/1932 Goldblatt 131/234
D91,968 S * 4/1934 Schiff D27/130
D127,390 S * 5/1941 Schylander 131/234
2,554,742 A * 5/1951 Jones F23Q 7/00
219/201

DESCRIPTION

FIG. 1 is a side view showing my new design, all sides being
identical to the side shown;
FIG. 2 is a top view showing the design of FIG. 1, the bottom
being flat and devoid of surface ornamentation; and,
FIG. 3 is a top perspective view of the design.

1 Claim, 3 Drawing Sheets



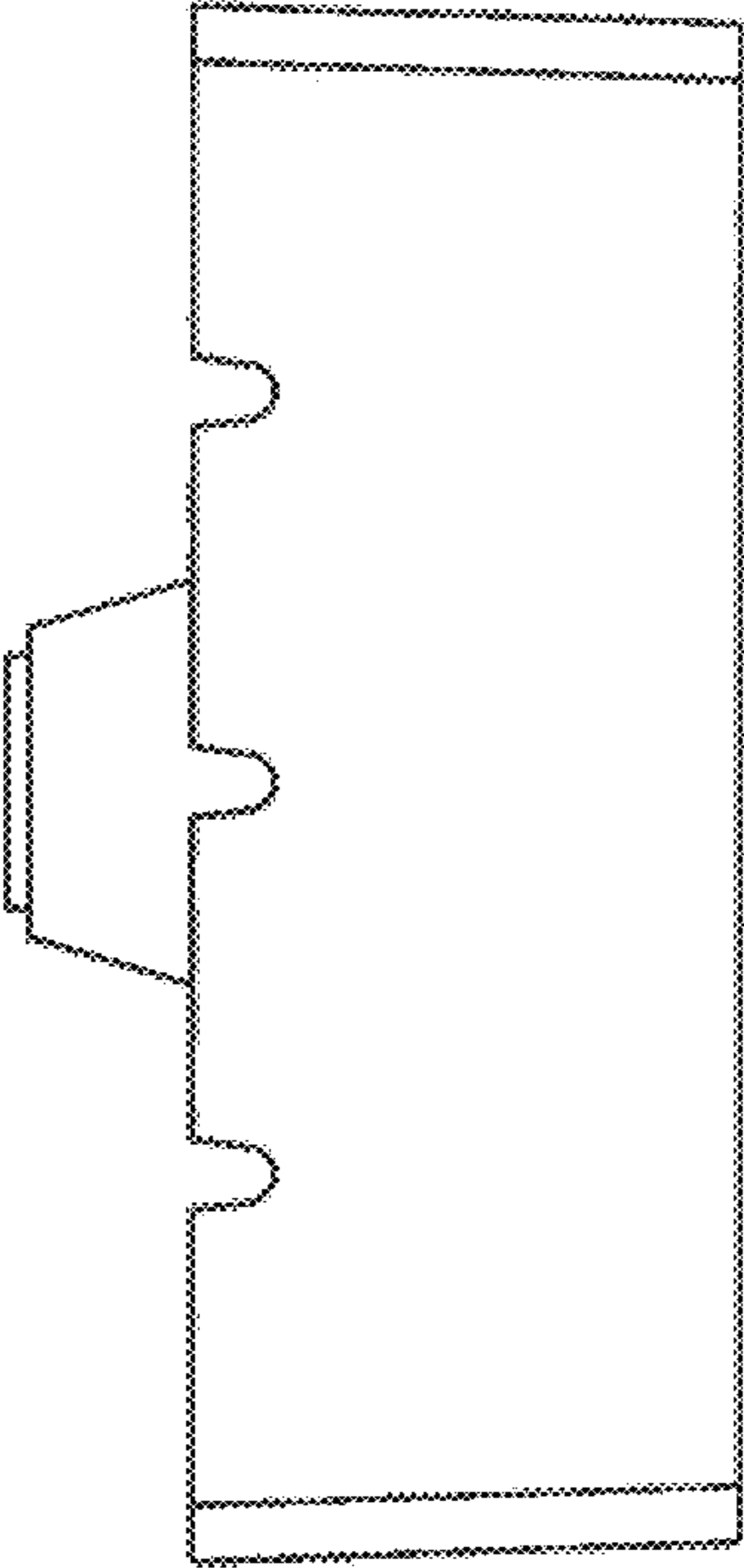


FIG. 1

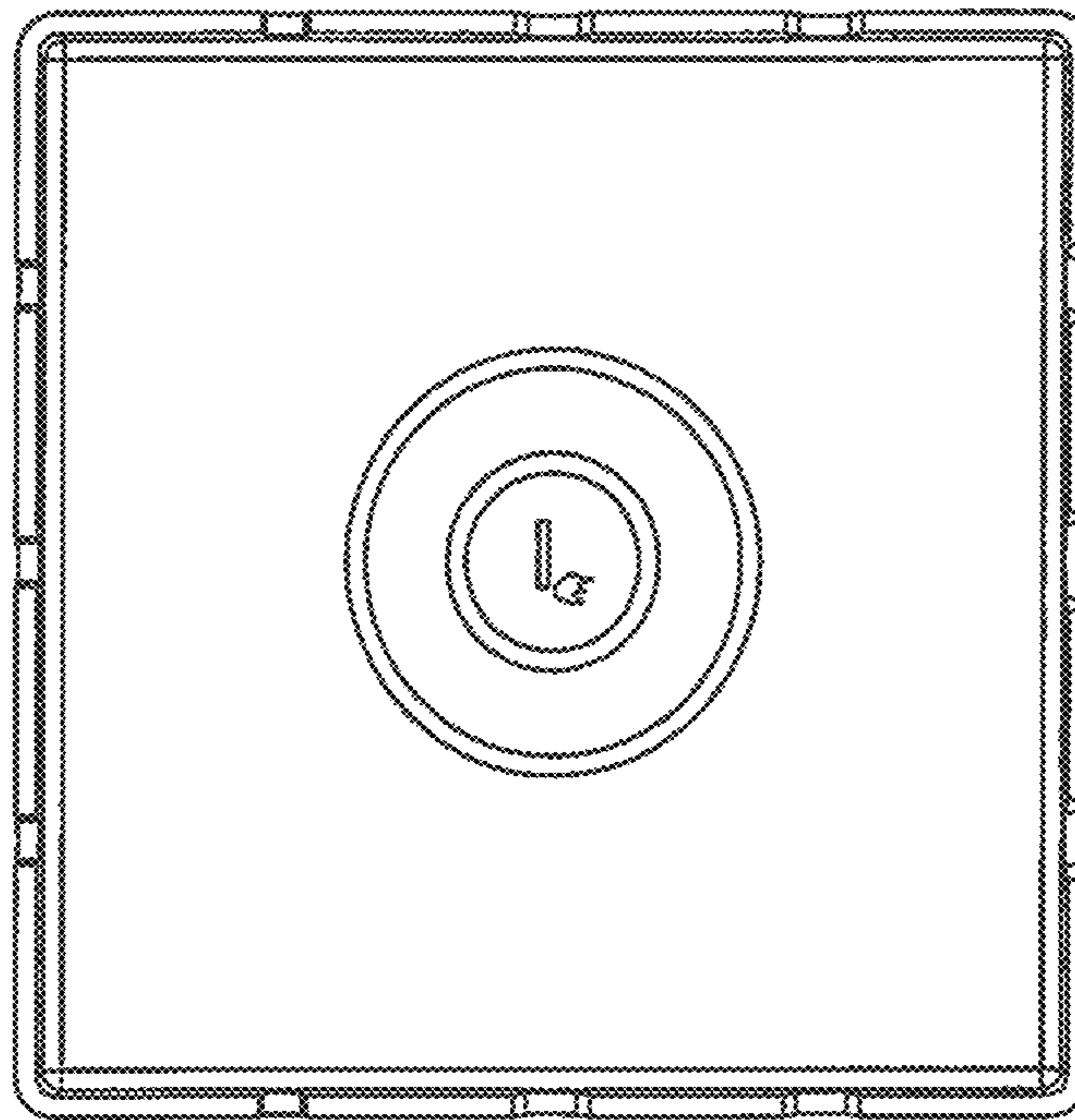


FIG. 2

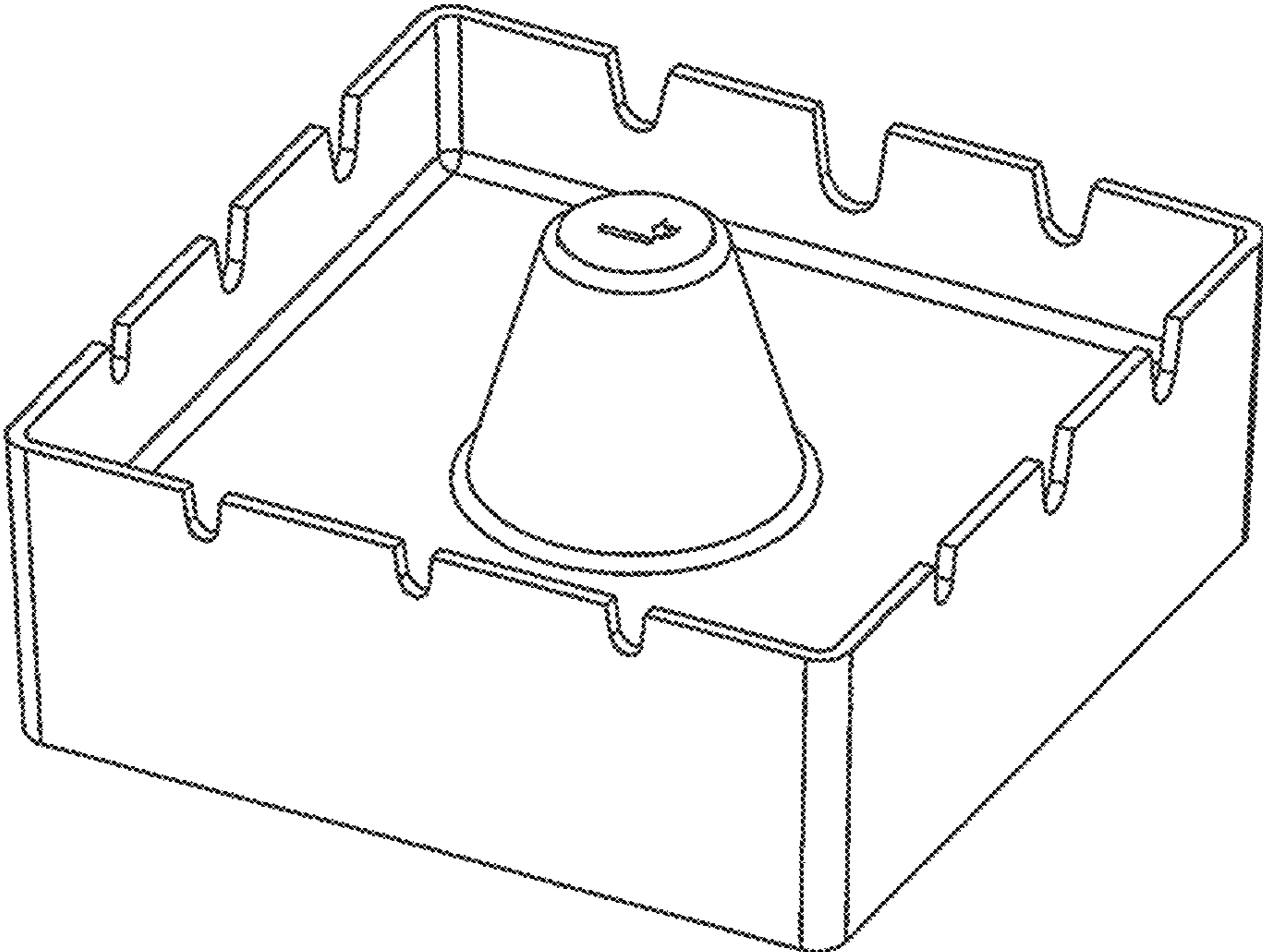


FIG. 3