

US00D753333S

(12) **United States Design Patent**
Hamasaki

(10) **Patent No.:** **US D753,333 S**
(45) **Date of Patent:** **** Apr. 5, 2016**

(54) **LEDS FOR CYCLING HEADLIGHT**

(71) Applicant: **SSB Design, Inc.**, Santa Ana, CA (US)

(72) Inventor: **Noriaki Hamasaki**, Lake Forest, CA (US)

(73) Assignee: **SSB DESIGN, INC.**, Santa Ana, CA (US)

(**) Term: **14 Years**

(21) Appl. No.: **29/500,948**

(22) Filed: **Aug. 29, 2014**

(51) **LOC (10) Cl.** **26-99**

(52) **U.S. Cl.**
USPC **D26/120; D26/124**

(58) **Field of Classification Search**

USPC D26/9, 10, 12, 13, 15, 16, 24, 51, 61, D26/72, 76, 80, 81, 85, 86, 88, 90, 113, 118, D26/119, 120, 122, 128, 129, 138, 143, 144, D26/5, 6, 11, 79, 114, 116, 131, 137, 121, D26/127, 135, 180, 28, 29, 97, 126, 64, 65, D26/124, 125, 132, 84, 87, 69, 62, 1, 134, D26/89, 145, 142, 74, 63; D13/180, 179, D13/133, 113; D10/18, 21, 24, 25, 27, 28, D10/46, 93, 104.1, 113, 114, 116.1, 118; D17/99

CPC B60Q 1/04; B60Q 1/26; F21S 8/026; F21S 8/04; F21S 8/035; F21V 29/004; F21V 21/02; F21V 21/04; F21V 29/2212; F21V 37/002; F21V 7/00; F21V 29/83; F21V 7/22; F21Y 2101/02; F21Y 2103/00; F21L 19/00; F23D 11/443; A61L 9/037; H01R 33/0836; H01R 2103/00; H01R 24/68; G02B 6/4298

See application file for complete search history.

(56) **References Cited**

U.S. PATENT DOCUMENTS

D186,130 S * 9/1959 Izzi D26/71
3,638,753 A * 2/1972 Cunningham H04R 1/345
181/153
D275,062 S * 8/1984 Sorko-Ram D25/106
4,940,420 A * 7/1990 Munie H01R 13/5219
439/271
D311,733 S * 10/1990 Kuzuno D13/133
5,127,848 A * 7/1992 Taguchi H01R 13/641
439/188

(Continued)

OTHER PUBLICATIONS

Optronic lights, image post date Mar. 27, 2014, site visited Jun. 7, 2015, (online), <<http://www.truckcampermagazine.com/weekly-blog/recommended-led-lights-for-truck-campers>>.*

(Continued)

Primary Examiner — Kevin Rudzinski

Assistant Examiner — Sean D Lough

(57) **CLAIM**

I claim the ornamental design for the LEDS for cycling headlight, as shown and described.

DESCRIPTION

FIG. 1 is a perspective view of the LEDS for cycling headlight of the present invention;

FIG. 2 is a front elevational view of the LEDS for cycling headlight of the present invention;

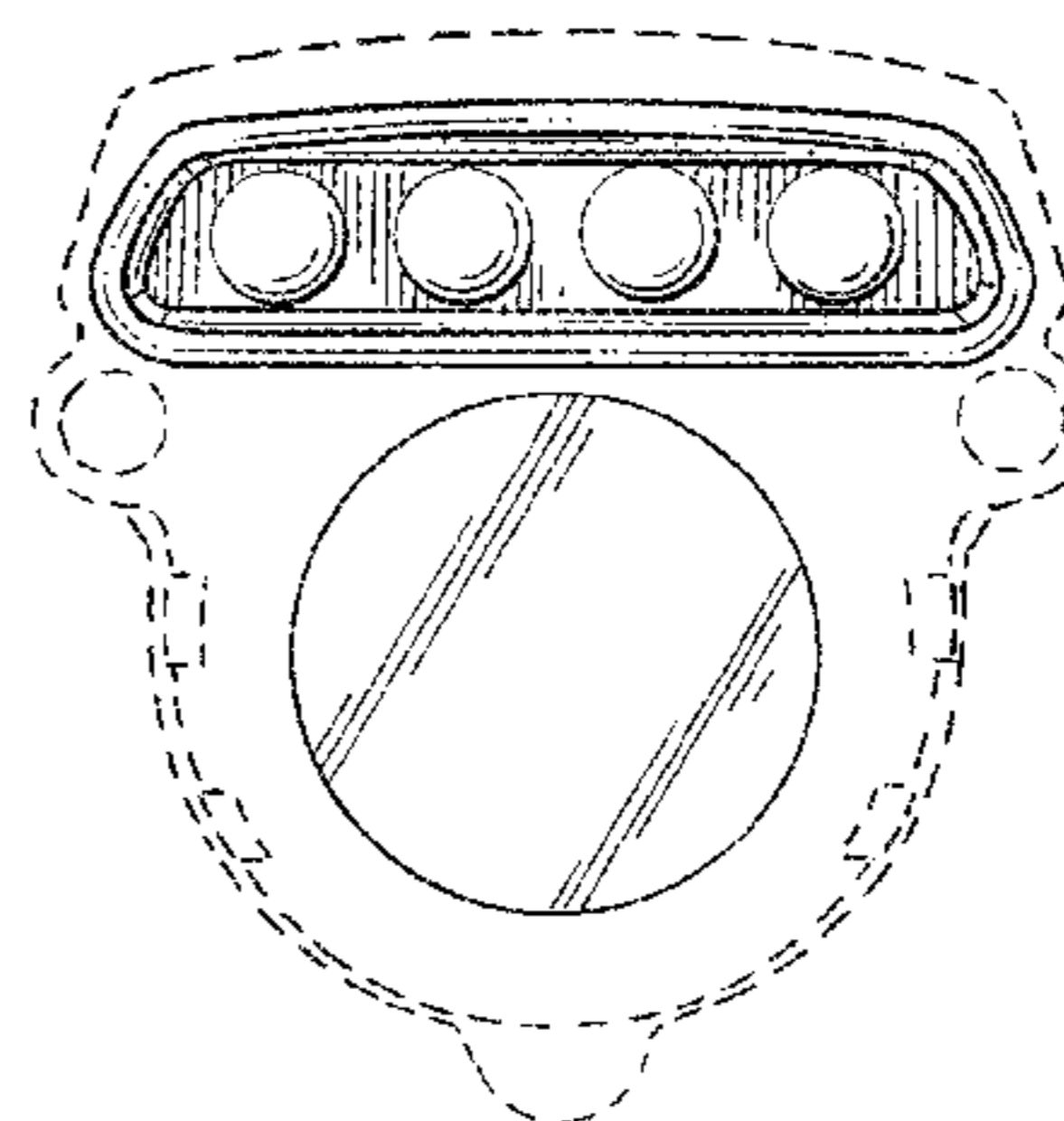
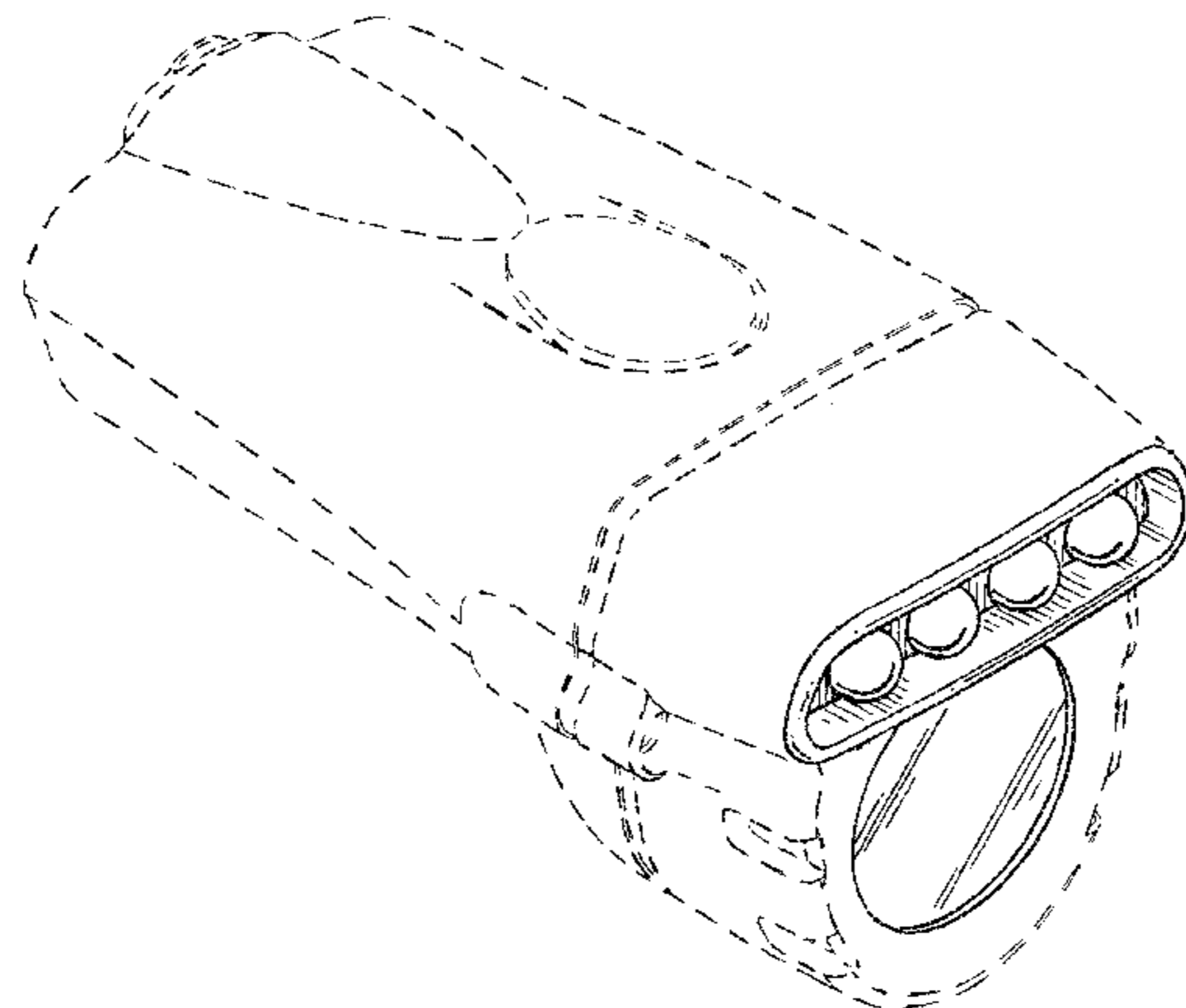
FIG. 3 represents a plan view of the LEDS for cycling headlight of the present invention;

FIG. 4 represents a bottom view of the LEDS for cycling headlight of the present invention; and,

FIG. 5 represents a right side view of the LEDS for cycling headlight wherein the left side view is a mirror image of the right side view.

The broken-line disclosures in the views are understood to represent portions of the Article in which the claimed design may be embodied, but which forms no part of the claimed design.

1 Claim, 5 Drawing Sheets



(56)

References Cited

U.S. PATENT DOCUMENTS

D333,293 S * 2/1993 Ashida D13/147
 D397,391 S * 8/1998 Jirout D21/779
 D415,999 S * 11/1999 Esposito D13/147
 D481,474 S * 10/2003 Yang D26/28
 D490,172 S * 5/2004 Yamamoto D26/28
 D503,150 S * 3/2005 Yamawaki D13/147
 D509,615 S * 9/2005 Rashidi D26/120
 D529,639 S * 10/2006 Okuda D26/28
 D535,761 S * 1/2007 Li D26/24
 D536,111 S * 1/2007 Li D26/24
 D536,805 S * 2/2007 Yuen D26/26
 D540,968 S * 4/2007 Lee D26/37
 D546,989 S * 7/2007 Chun D26/37
 D548,388 S * 8/2007 Cormier D26/120
 D554,279 S * 10/2007 Jeffries D26/28
 D559,432 S * 1/2008 Moriyama D26/120
 D571,952 S * 6/2008 Badarello D26/152
 D575,427 S * 8/2008 Nelson D26/37
 D577,146 S * 9/2008 Haugaard D26/118
 D577,856 S * 9/2008 Kim D26/140
 D578,226 S * 10/2008 West D26/1
 D578,703 S * 10/2008 Levine D26/113
 7,434,959 B1 * 10/2008 Wang F21S 2/005
 263/218
 D583,987 S * 12/2008 Devaney D26/120
 D584,840 S 1/2009 Okuda et al.
 D588,722 S 3/2009 Cheng
 D590,986 S * 4/2009 Ranger D26/122
 D591,785 S * 5/2009 Fong D16/237
 D599,297 S * 9/2009 Chen D13/147
 D605,790 S * 12/2009 Hsing-Tsun D26/28
 D608,483 S * 1/2010 Lee D26/60
 D612,535 S * 3/2010 Fisher D26/154
 D612,977 S * 3/2010 Chen D26/128
 D622,895 S * 8/2010 Lyons D26/118
 D623,349 S * 9/2010 Tsai D26/140
 D626,683 S * 11/2010 Rabideau D26/154
 D630,374 S * 1/2011 Leen D26/138
 D630,666 S * 1/2011 Matsumoto D16/134
 D631,995 S * 2/2011 Huschke D26/28
 D632,001 S * 2/2011 Kong D26/71
 D632,421 S * 2/2011 Vukosic D26/124
 D636,525 S * 4/2011 Chan D26/118
 D643,150 S * 8/2011 Chen D26/124
 D643,371 S * 8/2011 Svelnis D13/154
 D643,569 S * 8/2011 Abate D26/118
 D645,605 S * 9/2011 Watanabe D26/120
 D654,211 S * 2/2012 Melzner D26/118
 D659,280 S * 5/2012 Guercio D26/118
 D660,506 S * 5/2012 McMahan D26/118
 D660,802 S * 5/2012 Quinn, Jr. D13/151
 D667,152 S 9/2012 Hamasaki
 D671,675 S * 11/2012 Komarov D26/120
 D672,915 S * 12/2012 Toft D26/123

D675,372 S * 1/2013 Kim D26/138
 D677,421 S * 3/2013 Lin D26/120
 D677,821 S * 3/2013 Jeon D26/74
 D678,562 S * 3/2013 Chan D26/28
 D678,598 S * 3/2013 Wu D26/120
 D679,038 S * 3/2013 Hamasaki D26/28
 D679,040 S * 3/2013 Cen D26/28
 D679,446 S * 4/2013 Harrington, Jr. D26/124
 D679,856 S * 4/2013 Guercio D26/118
 D679,860 S * 4/2013 Maxik D26/141
 D687,179 S * 7/2013 Kim D26/118
 D691,322 S * 10/2013 Tang D26/124
 D695,445 S * 12/2013 Panchisin D26/118
 D696,334 S * 12/2013 Li D16/237
 D696,452 S * 12/2013 Gordin D26/118
 D699,880 S * 2/2014 Szoke D26/74
 D699,887 S * 2/2014 Chen D26/118
 D699,888 S * 2/2014 Webb D26/128
 D700,987 S * 3/2014 Nepple D26/120
 D703,371 S * 4/2014 Yu D26/118
 D705,981 S * 5/2014 Cegnar D26/128
 D706,973 S * 6/2014 Shih D26/113
 D708,378 S * 7/2014 Recker D26/61
 D708,385 S * 7/2014 Krogman D26/118
 D710,048 S * 7/2014 Randolph D26/120
 D711,579 S * 8/2014 Watanabe D26/138
 D712,087 S * 8/2014 Kjaergaard Toft D26/123
 D712,572 S * 9/2014 Dai D26/26
 D712,877 S * 9/2014 Ko D14/211
 D712,963 S * 9/2014 Fleet D19/113
 D713,595 S * 9/2014 Lechtenberg D26/118
 D714,488 S * 9/2014 Chen D26/123
 D715,980 S * 10/2014 Ueda D26/28
 D719,515 S * 12/2014 Huang D13/147
 D721,453 S * 1/2015 Anastassiades D26/88
 8,974,098 B2 * 3/2015 McCaslin B62J 6/003
 362/184
 D726,363 S * 4/2015 Danesh D26/138
 D728,849 S * 5/2015 Hamel D26/128
 D737,211 S * 8/2015 Little D13/147
 D737,497 S * 8/2015 Burgess D26/113
 D737,580 S * 9/2015 Tsai D6/300
 D744,430 S * 12/2015 Yokoyama D13/147

OTHER PUBLICATIONS

Leia posing as the Ubese bounty hunter Boushh, image post date 1983, site visited Jun. 7, 2015, (online), <<http://forgottenpopcorn.blogspot.com/2012/11/star-wars-force-is-strong-with-this.html>>.*
 “Expillion” Headlight manufactured by Cygolite (Applicant), first introduced May 23, 2012.
 “Metro” Headlight manufactured by Cygolite (Applicant), first introduced May 23, 2012.
 “Streak” Headlight manufactured by Cygolite (Applicant), first introduced Jul. 25, 2013.

* cited by examiner

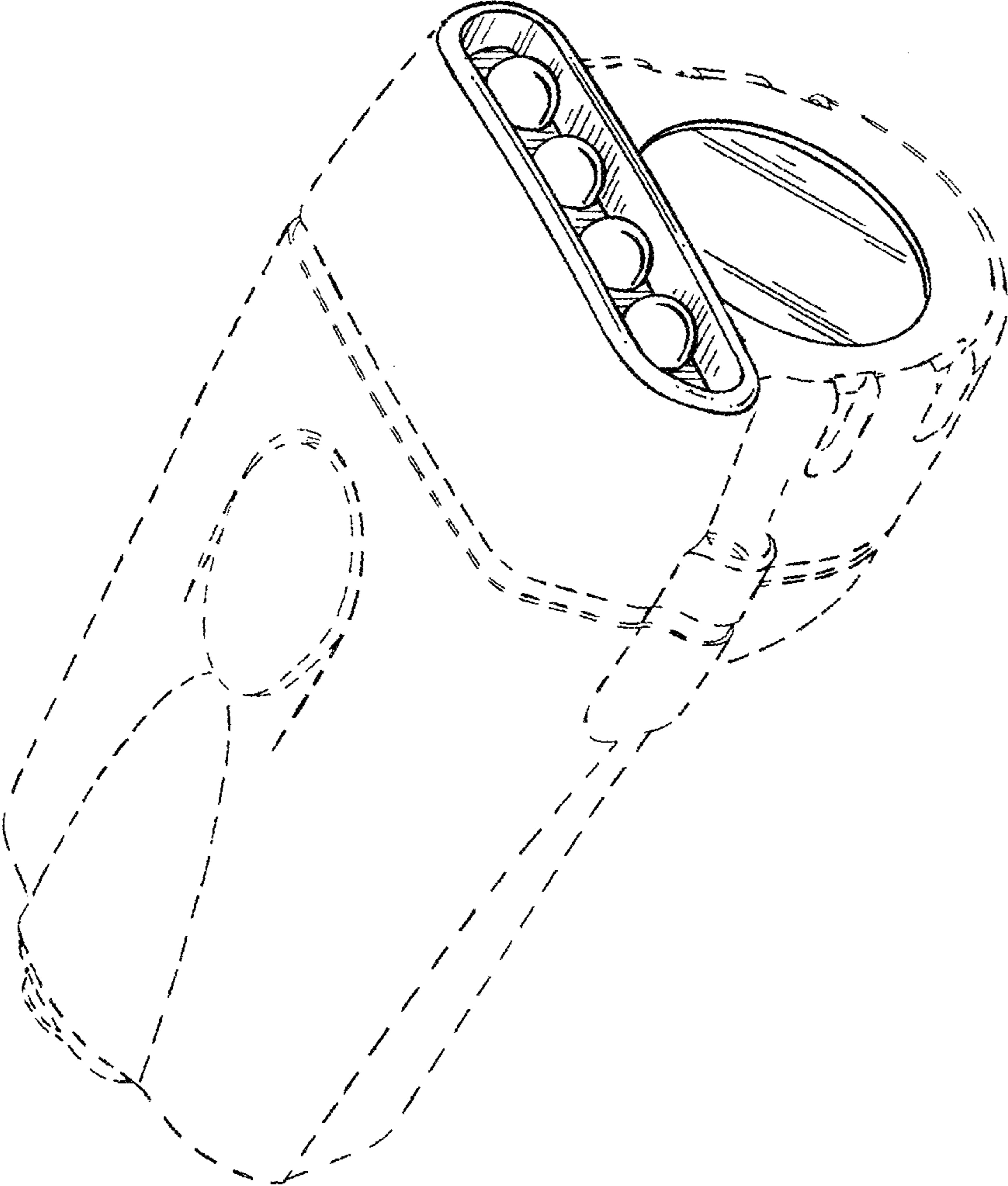


FIG. 1

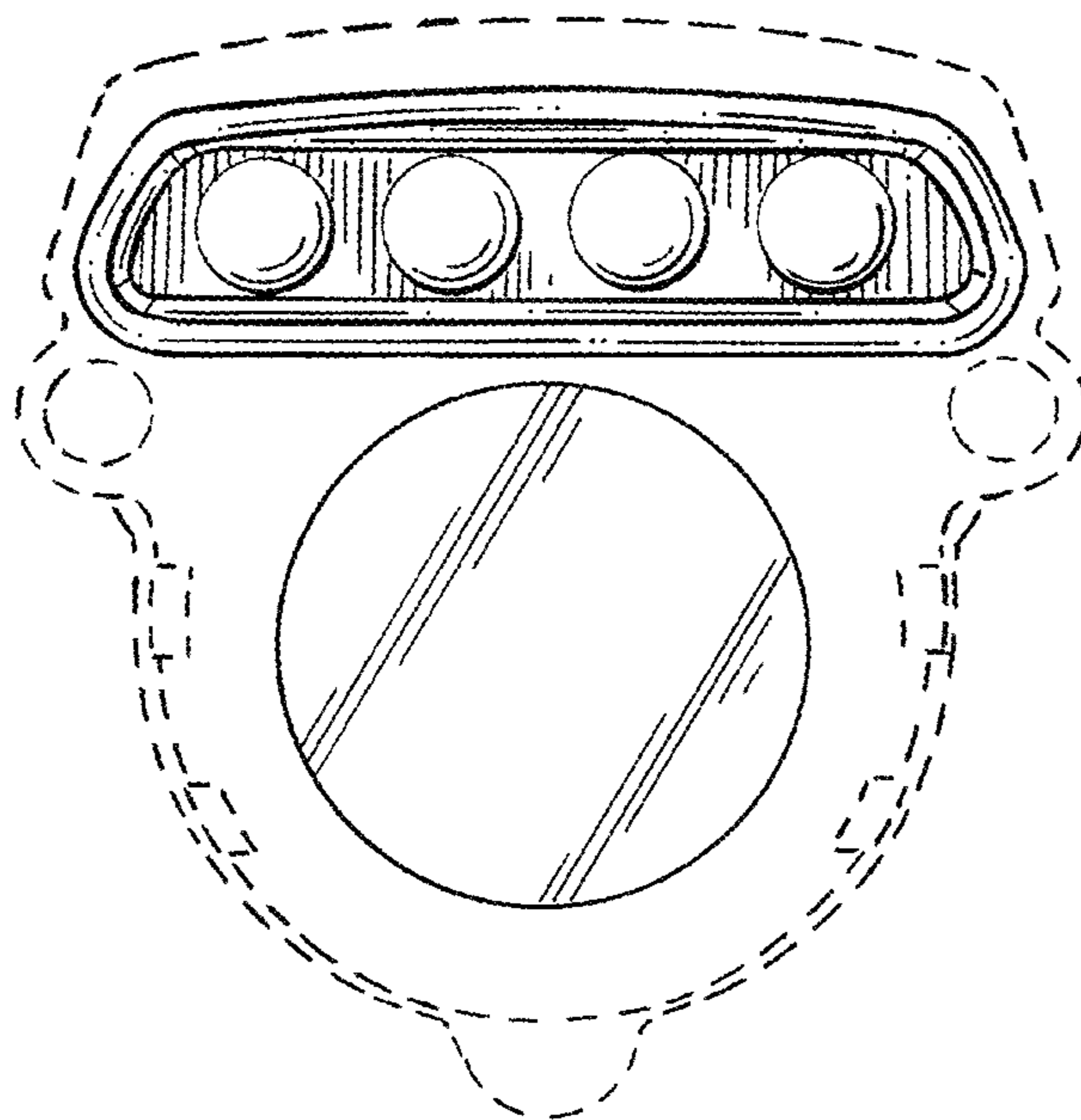


FIG. 2

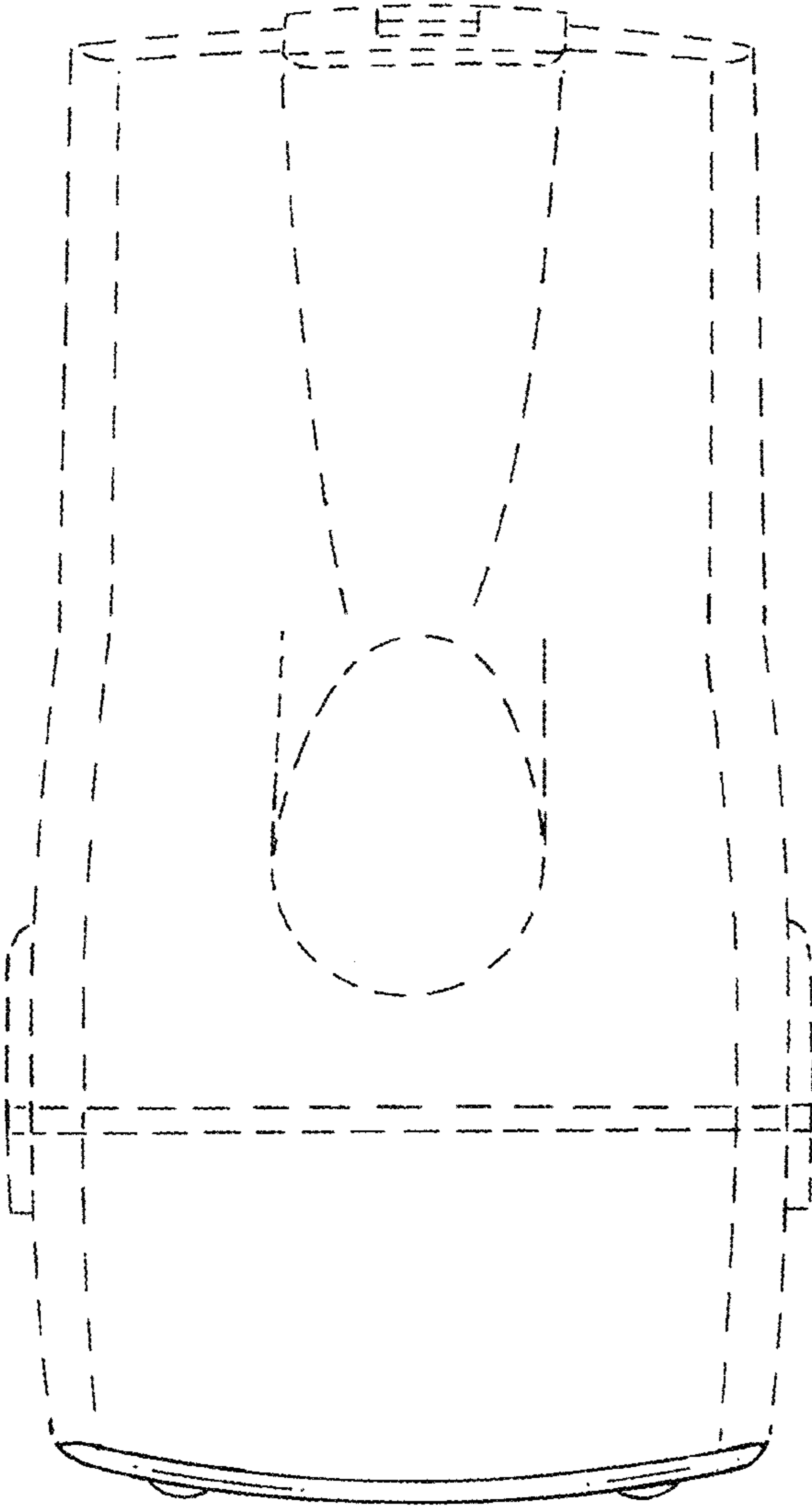


FIG. 3

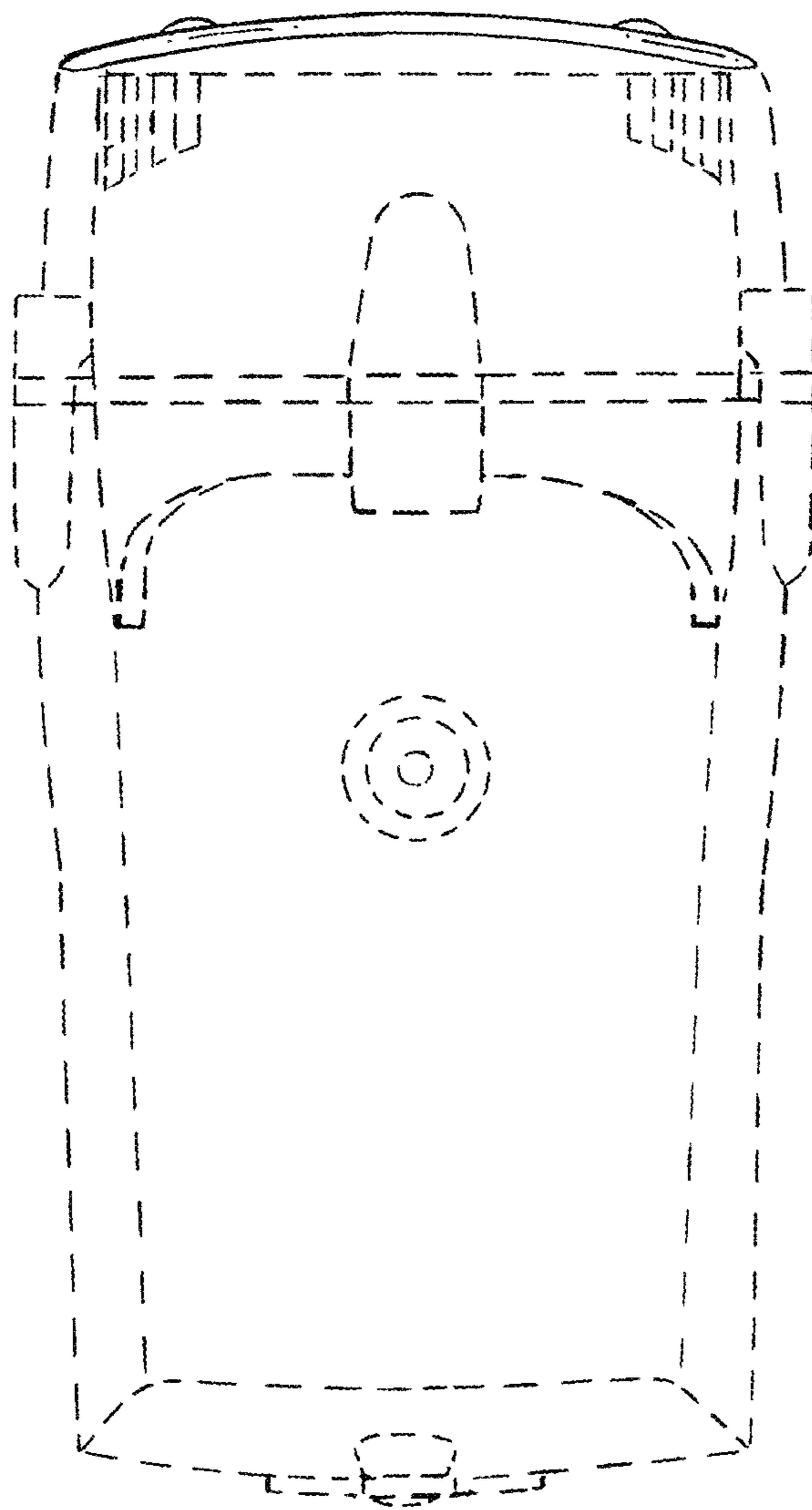


FIG. 4

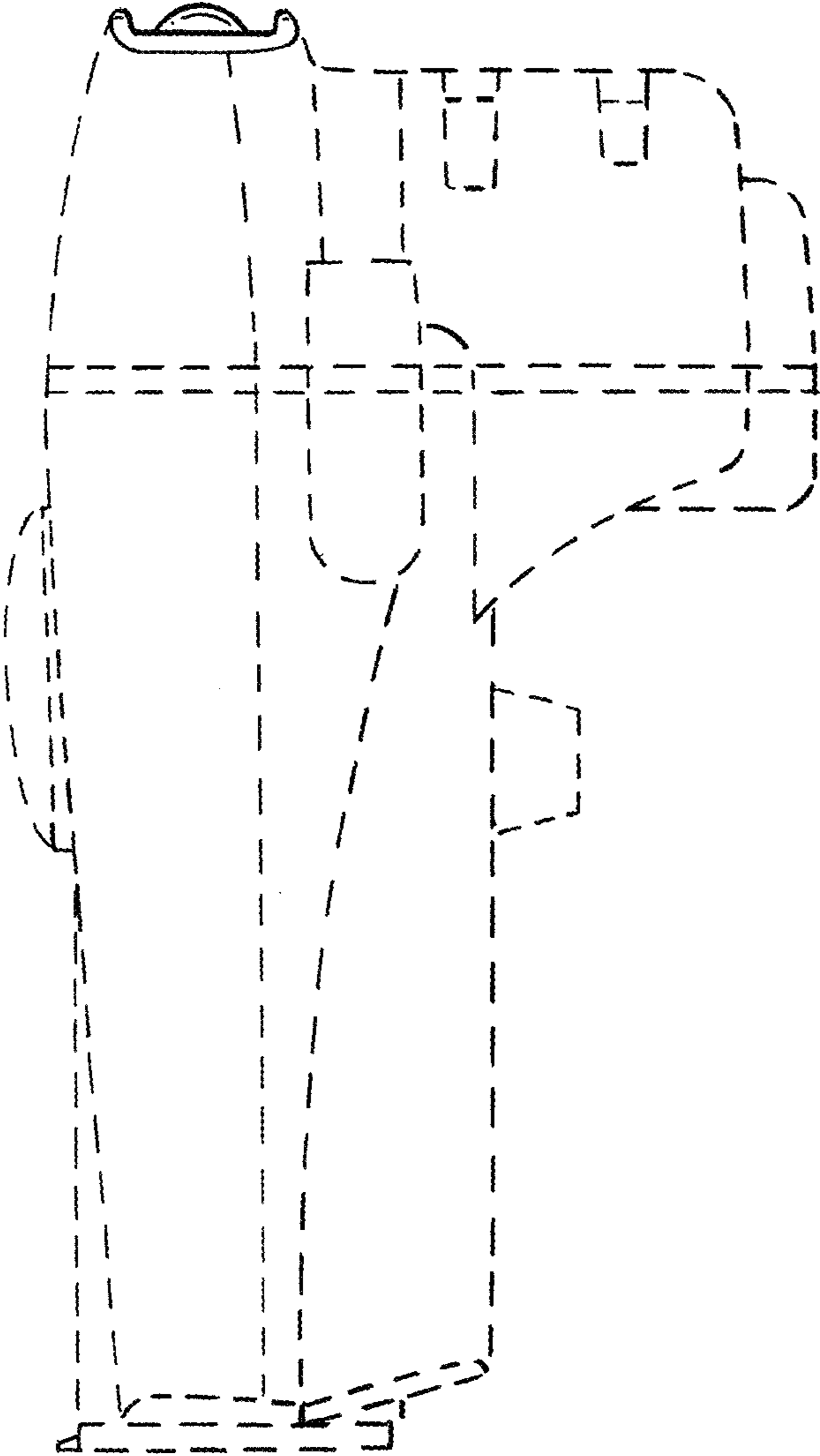


FIG. 5