



US00D753331S

(12) **United States Design Patent**  
**Gough et al.**

(10) **Patent No.:** **US D753,331 S**  
(45) **Date of Patent:** **\*\* Apr. 5, 2016**

- (54) **LED LIGHT MODULE**
- (71) Applicant: **Global Tech China Limited**, Kowloon (HK)
- (72) Inventors: **Keith Adrian Gough**, Kowloon (HK); **John Harold Fearnall**, Chester (GB)
- (73) Assignee: **Global Tech China Limited**, Kowloon (HK)
- (\*\*) Term: **14 Years**
- (21) Appl. No.: **29/506,705**
- (22) Filed: **Oct. 20, 2014**
- (51) **LOC (10) Cl.** ..... **26-03**
- (52) **U.S. Cl.**  
USPC ..... **D26/85**
- (58) **Field of Classification Search**  
USPC ..... D26/72, 85, 87, 89, 92, 118, 120  
CPC ..... F21S 8/03; F21S 8/033; F21S 8/036;  
F21S 8/037; F21S 8/043; F21S 8/06; F21V  
21/02; F21V 33/006; F21W 2131/10; F21W  
2131/107; F21W 2131/1005  
See application file for complete search history.

(56) **References Cited**

**U.S. PATENT DOCUMENTS**

D248,184 S *	6/1978	Roberts	.....	D26/85
D288,857 S *	3/1987	Spaine	.....	D26/72
4,951,184 A *	8/1990	Makurof	.....	F21V 21/02 362/147
5,015,994 A *	5/1991	Hoberman	.....	F21S 8/035 250/221

D454,971 S *	3/2002	Crosby	.....	D26/85
D556,936 S *	12/2007	Miranda	.....	D26/85
D569,029 S *	5/2008	Guercio	.....	D26/85
D592,784 S *	5/2009	van den Dool	.....	D26/75
D612,975 S *	3/2010	Guercio	.....	D26/85
D650,507 S *	12/2011	Osiecki	.....	D26/72
D681,255 S *	4/2013	Bickler	.....	D26/85
2013/0077306 A1 *	3/2013	Lagutko	.....	F21S 8/03 362/244
2014/0177228 A1 *	6/2014	Ellingson	.....	F21V 29/004 362/294

\* cited by examiner

*Primary Examiner* — Clare E Heflin

(74) *Attorney, Agent, or Firm* — Hamre, Schumann, Mueller & Larson, P.C.

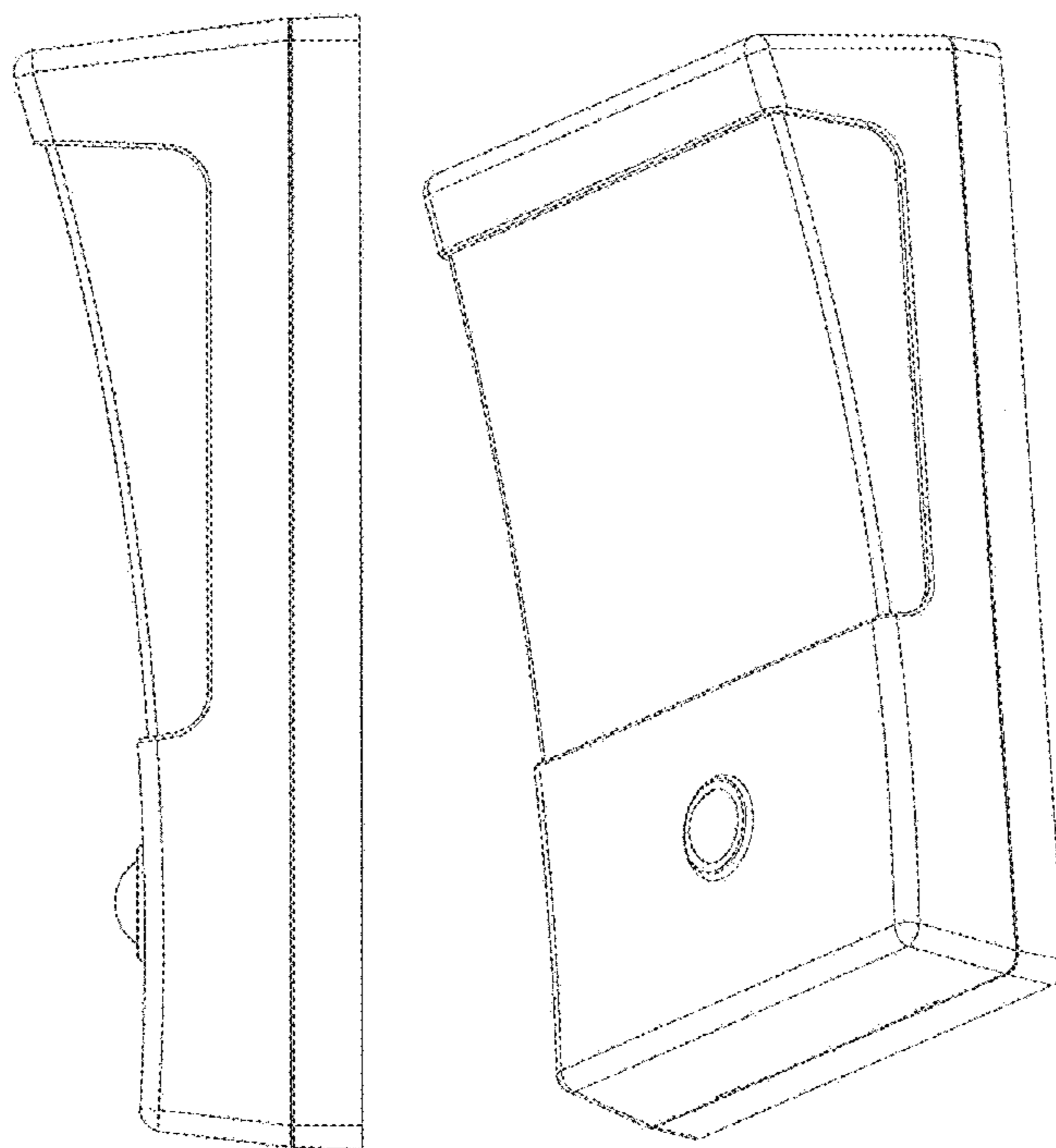
(57) **CLAIM**

The ornamental design for a LED light module, as shown and described.

**DESCRIPTION**

FIG. 1 is the front view of a LED light module showing my new design;  
 FIG. 2 is the rear view thereof;  
 FIG. 3 is the left view thereof;  
 FIG. 4 is the right view thereof;  
 FIG. 5 is the top view thereof;  
 FIG. 6 is the bottom view thereof; and,  
 FIG. 7 is the perspective view thereof.  
 Referring to FIG. 1, the LED light module has a lamp window in the upper front and a PIR sensor lens in the lower front. The broken lines in FIG. 2 represent portions of the LED light module that form no part of the claimed design.

**1 Claim, 7 Drawing Sheets**



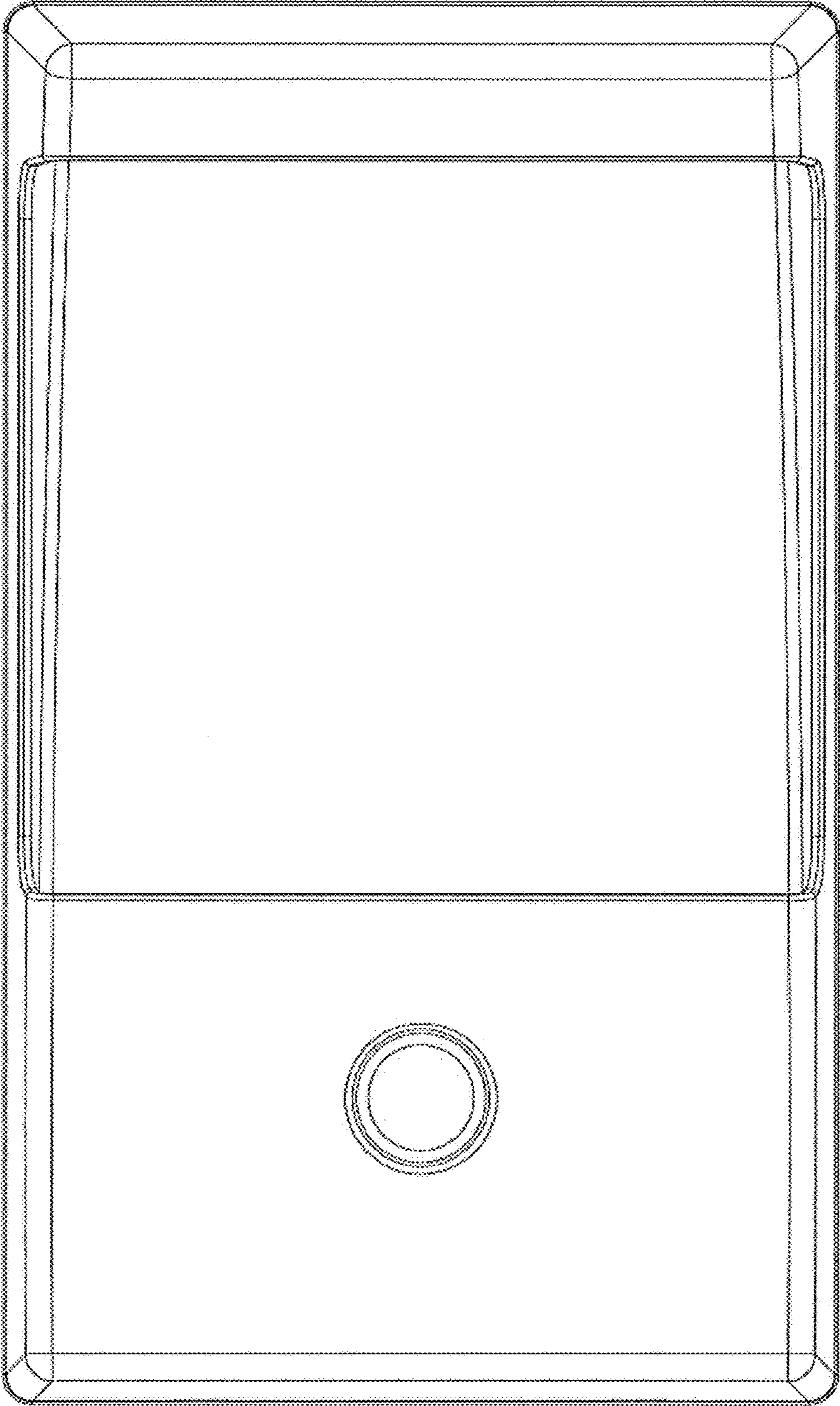


FIG.1

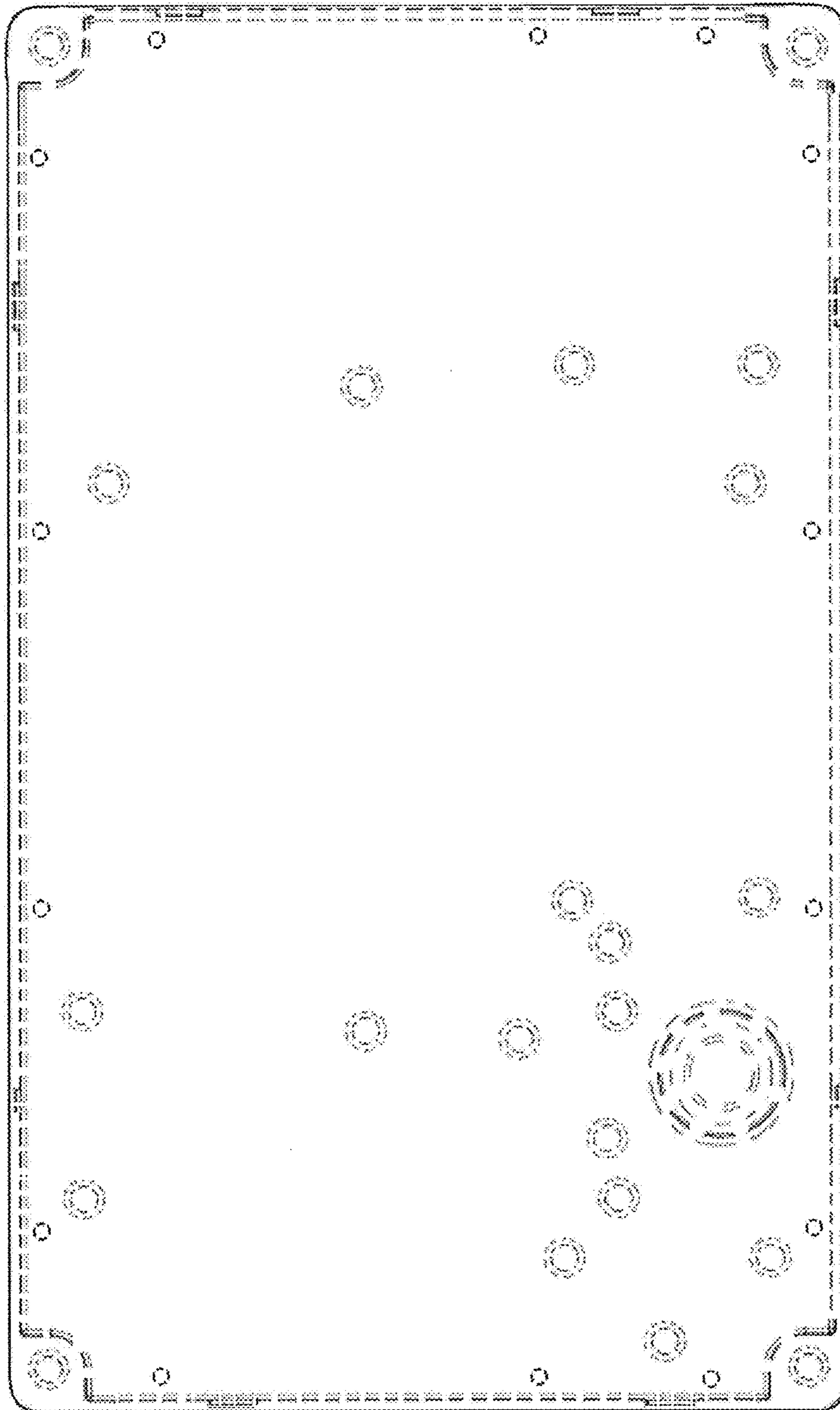


FIG. 2

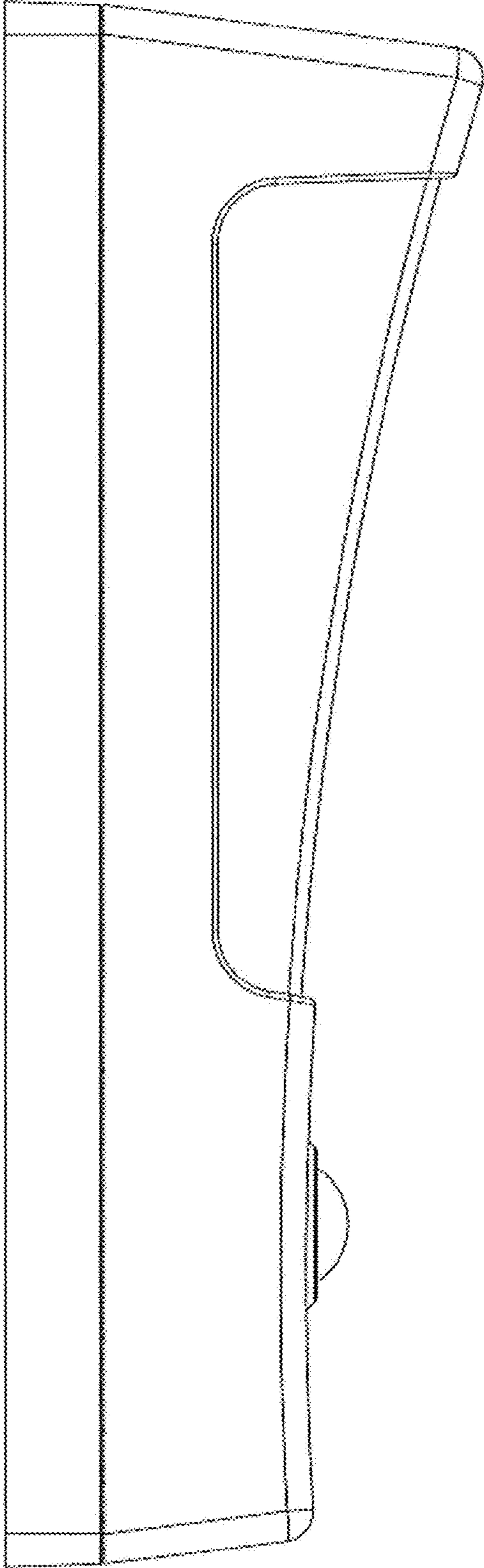


FIG.3

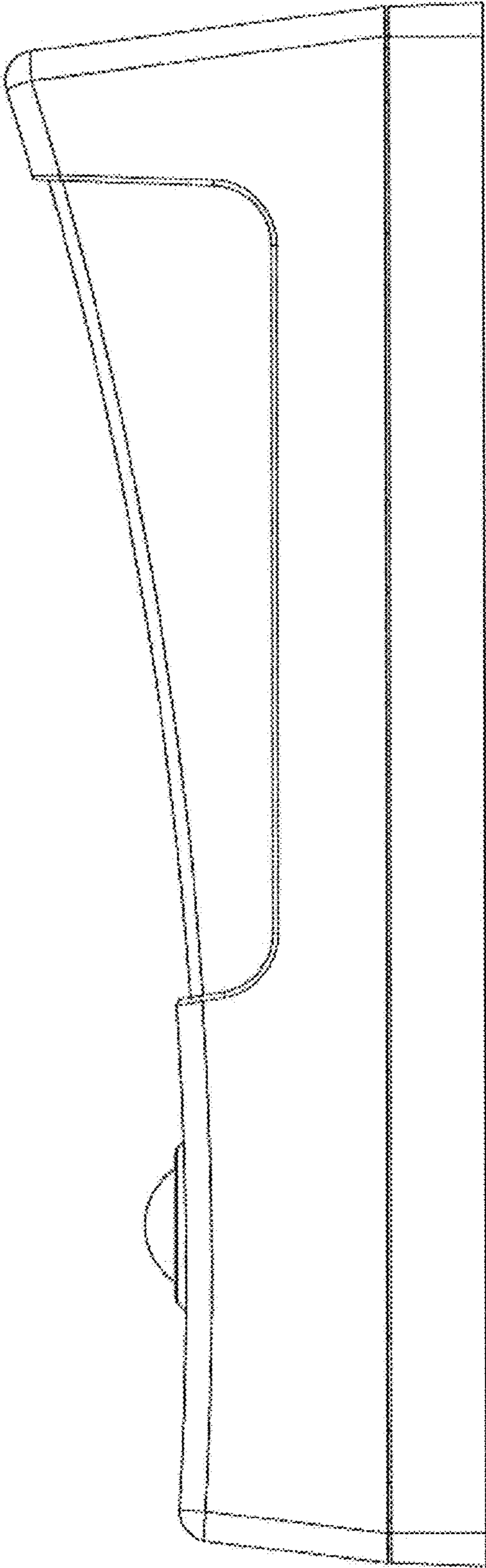


FIG4

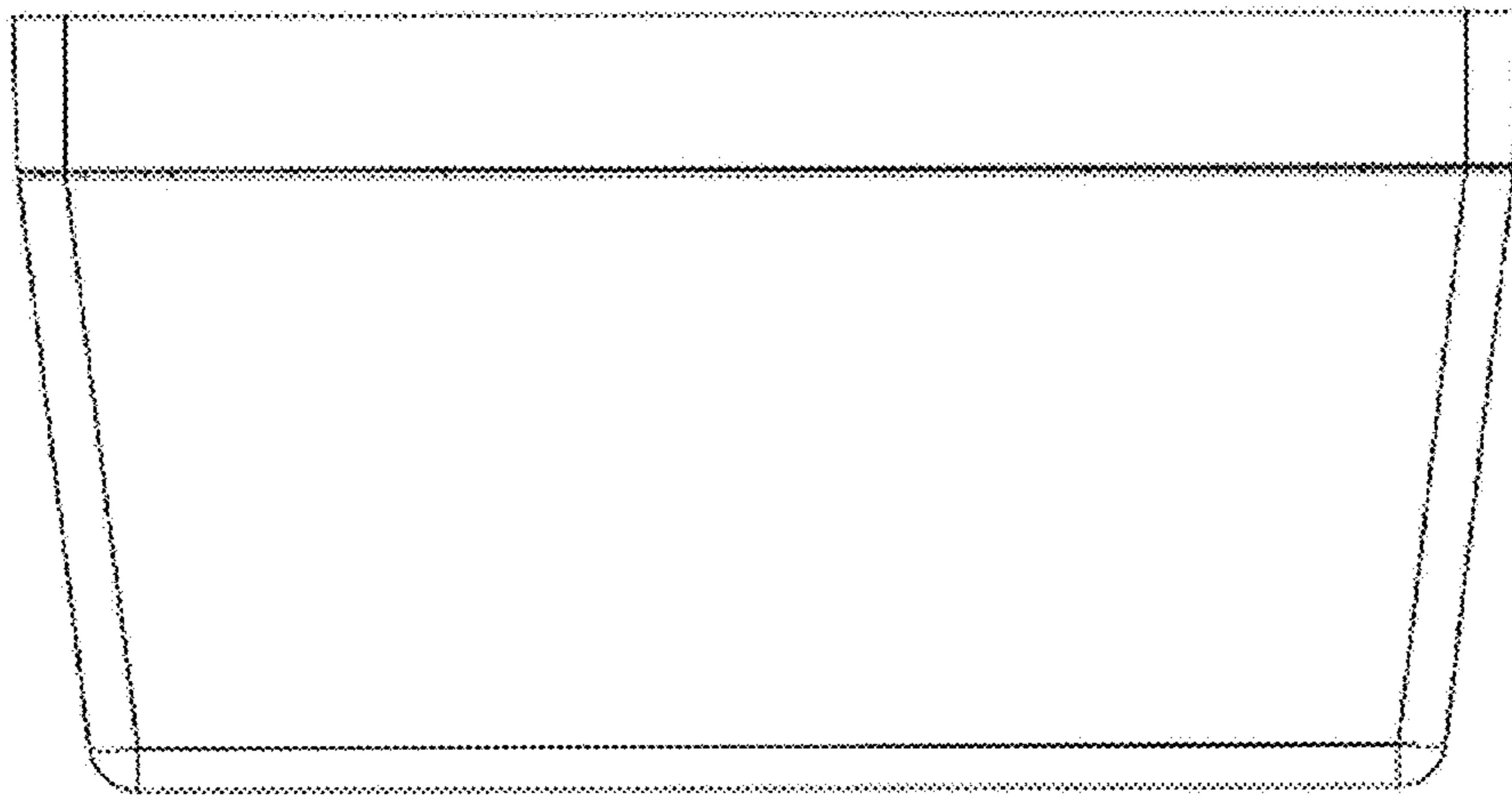


FIG.5

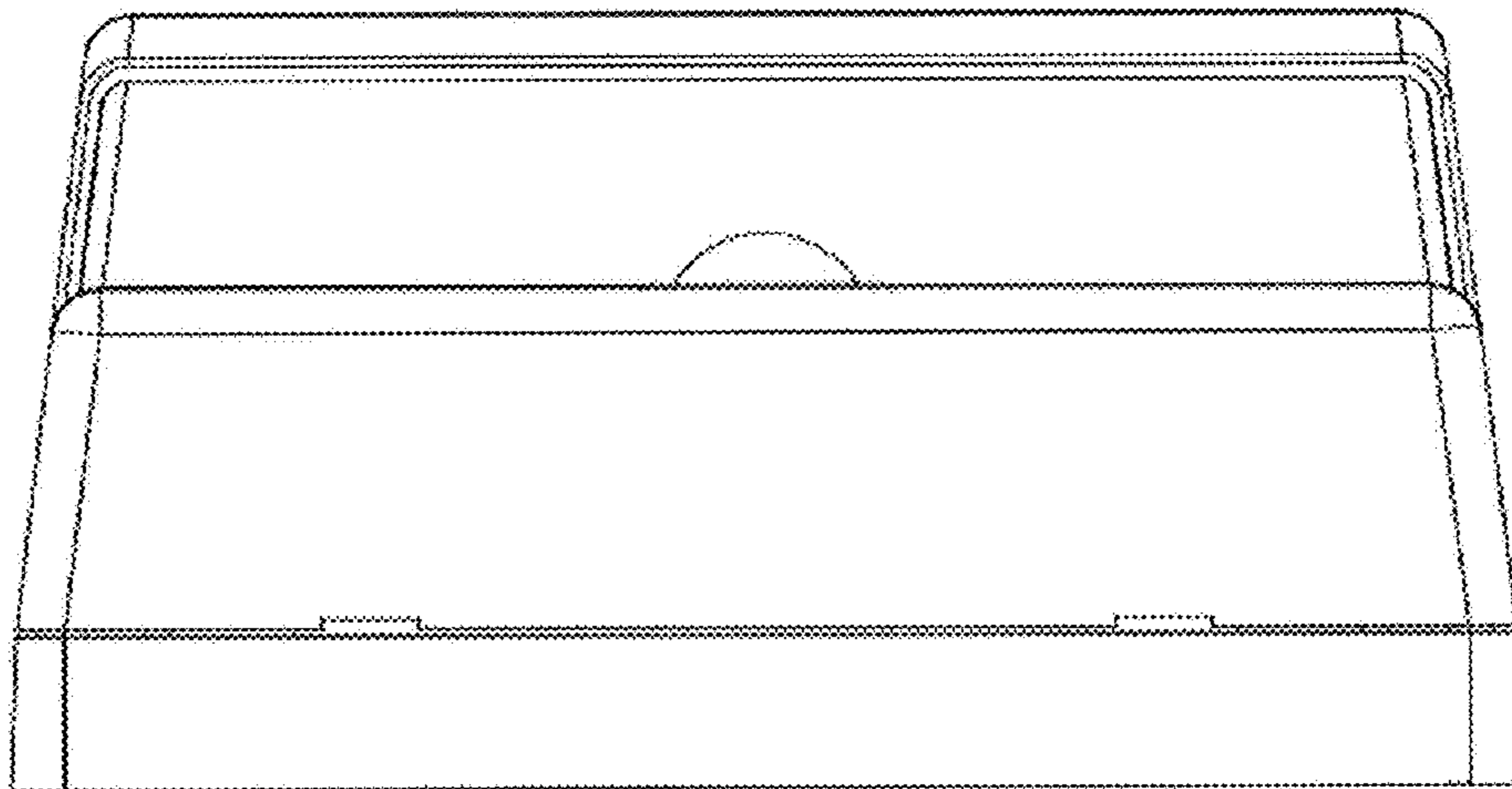


FIG. 6

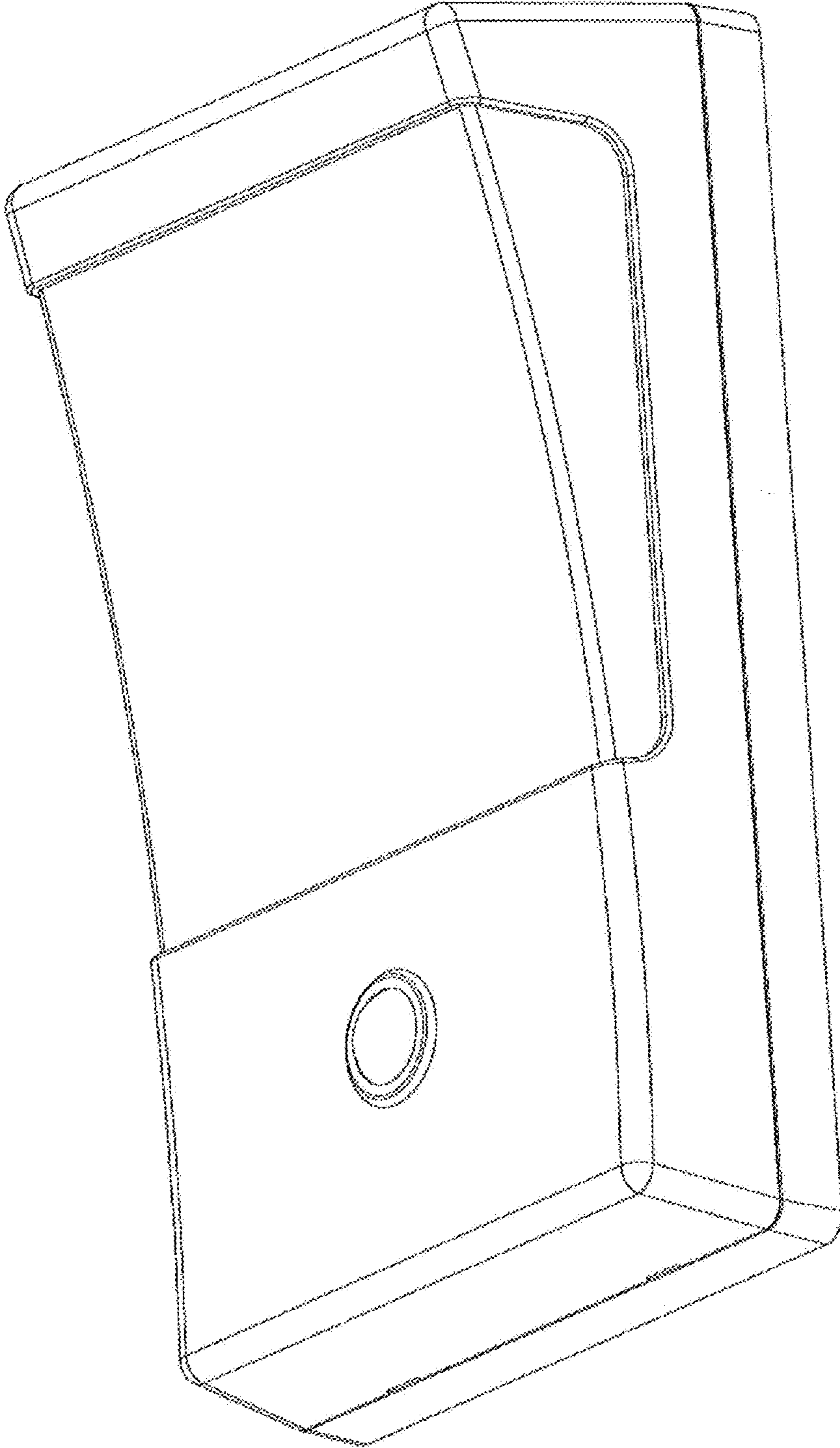


FIG. 7