



US00D753329S

(12) **United States Design Patent**  
**Lee et al.**

(10) **Patent No.:** **US D753,329 S**  
(45) **Date of Patent:** **\*\* Apr. 5, 2016**

(54) **FOLDABLE LAMP**

(71) Applicants: **Sunny Lee**, Huizhou (CN); **Yongjun Zhang**, Huizhou (CN)

(72) Inventors: **Sunny Lee**, Huizhou (CN); **Yongjun Zhang**, Huizhou (CN)

(73) Assignee: **Walsun Lighting (Huizhou) Co., Ltd.**, Huizhou (CN)

(\*\*) Term: **14 Years**

(21) Appl. No.: **29/497,501**

(22) Filed: **Jul. 25, 2014**

(30) **Foreign Application Priority Data**

Jan. 25, 2014 (CN) ..... 2014 3 0020845

(51) **LOC (10) Cl.** ..... **26-03**

(52) **U.S. Cl.**  
USPC ..... **D26/65**

(58) **Field of Classification Search**  
USPC ..... D26/1, 24, 61, 63, 65, 85, 93, 106, 107  
CPC ..... F21V 21/14; F21V 15/01; F21V 14/02;  
F21V 21/30; F21V 21/00; F21V 14/00;  
F21S 8/00; F21S 8/003; F21S 8/043; F21Y  
2105/001

See application file for complete search history.

(56) **References Cited**

U.S. PATENT DOCUMENTS

D579,597 S *	10/2008	Ng	.....	D26/61
D599,930 S *	9/2009	Huang	.....	D26/63
D624,226 S *	9/2010	Huang	.....	D26/65
D628,729 S *	12/2010	Citterio	.....	D26/65
D641,916 S *	7/2011	Witsch	.....	D26/93
D663,062 S *	7/2012	Ng et al.	.....	D26/65
D672,904 S *	12/2012	Tang et al.	.....	D26/93
D690,858 S *	10/2013	Citterio	.....	D26/63
D714,483 S *	9/2014	Polick et al.	.....	D26/65

\* cited by examiner

*Primary Examiner* — Brian N Vinson

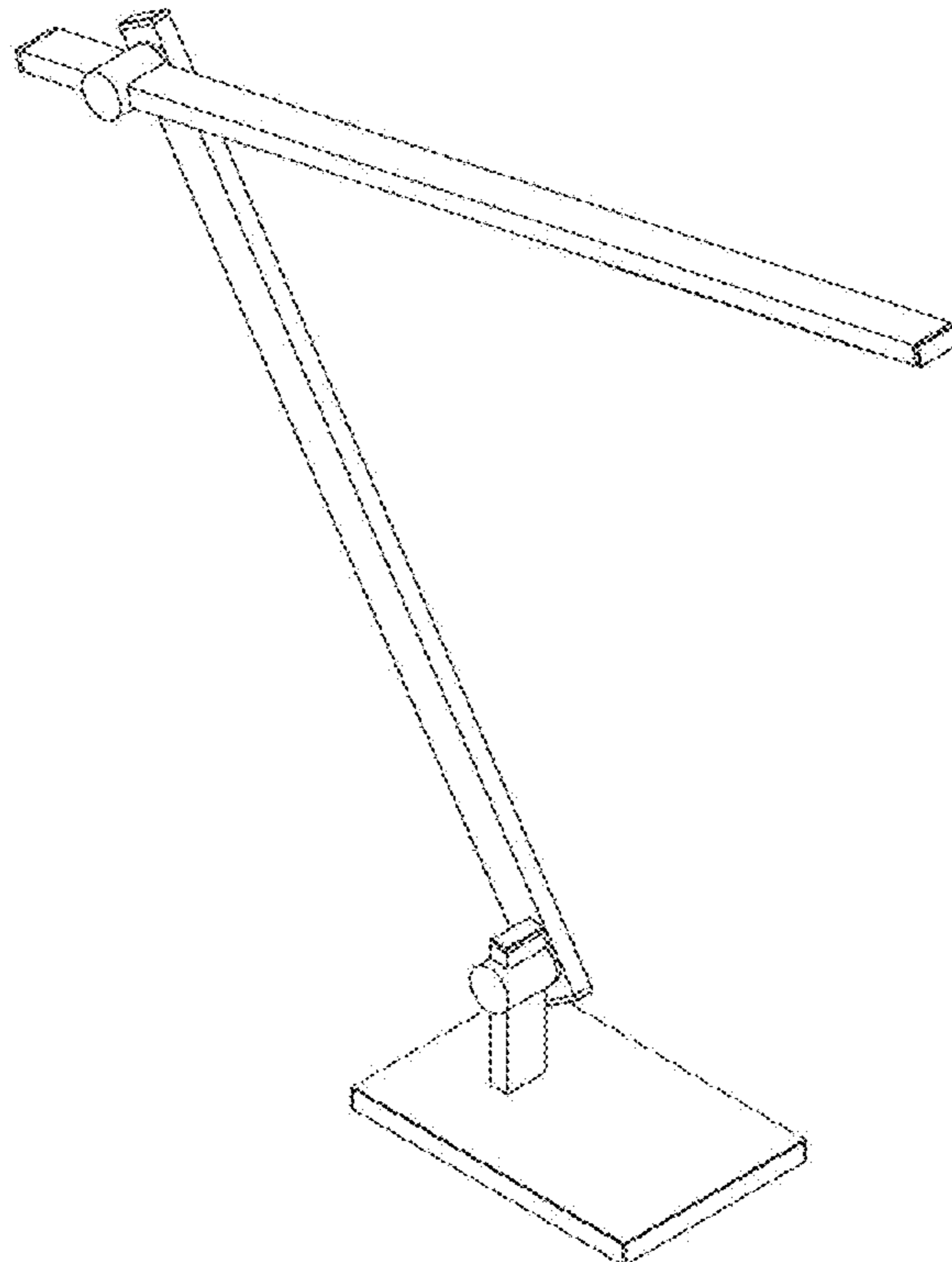
(57) **CLAIM**

The ornamental design for a foldable lamp, as shown and described.

**DESCRIPTION**

FIG. 1 is a perspective view of a foldable lamp showing my new design;  
FIG. 2 is a front elevational view thereof;  
FIG. 3 is a rear elevational view thereof;  
FIG. 4 is a left side elevational view thereof;  
FIG. 5 is a right side elevational view thereof;  
FIG. 6 is a top plan view thereof; and,  
FIG. 7 is a bottom plan view thereof. The broken line disclosure represents a portion of the foldable lamp which forms no part of the claimed design.

**1 Claim, 7 Drawing Sheets**



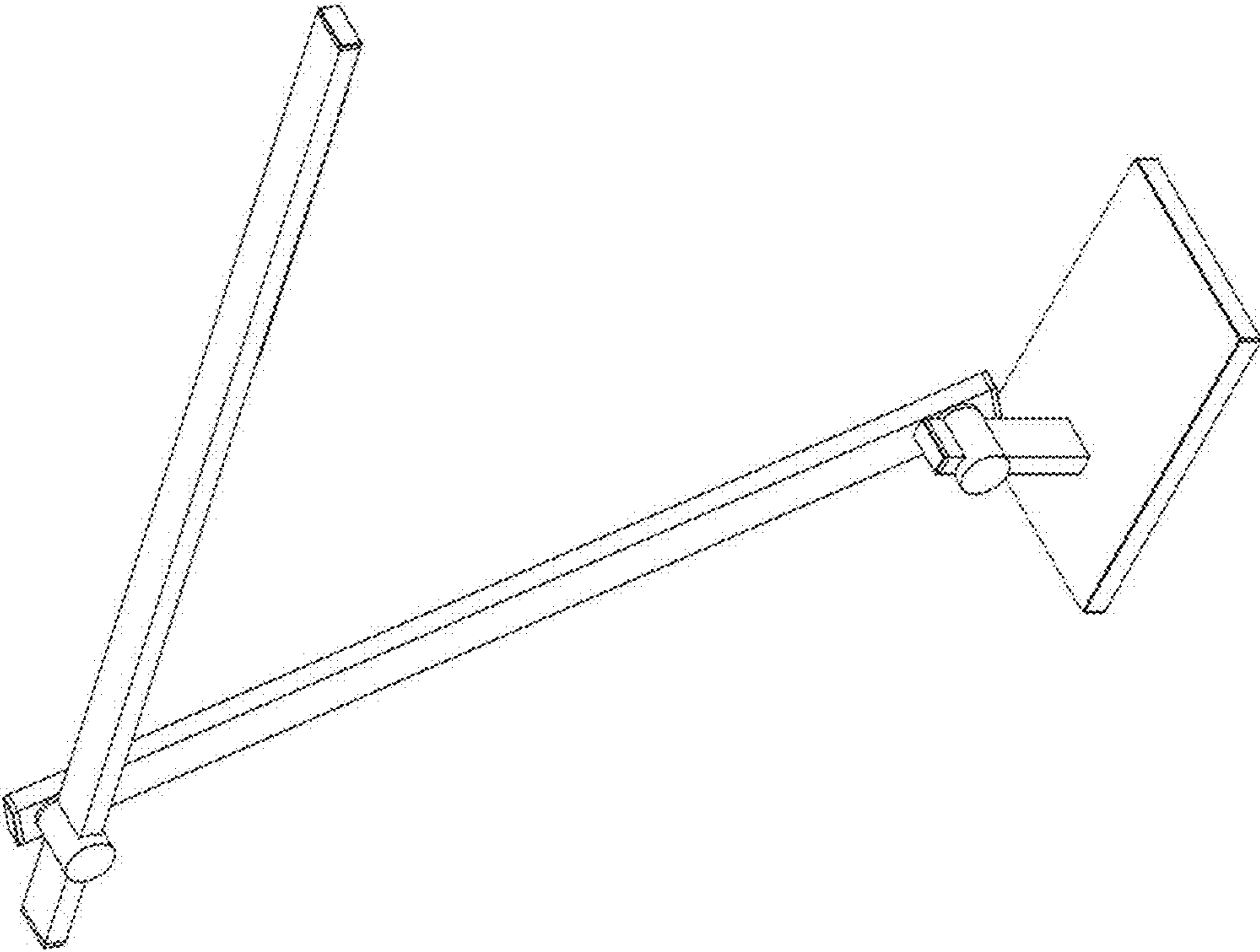


FIG. 1

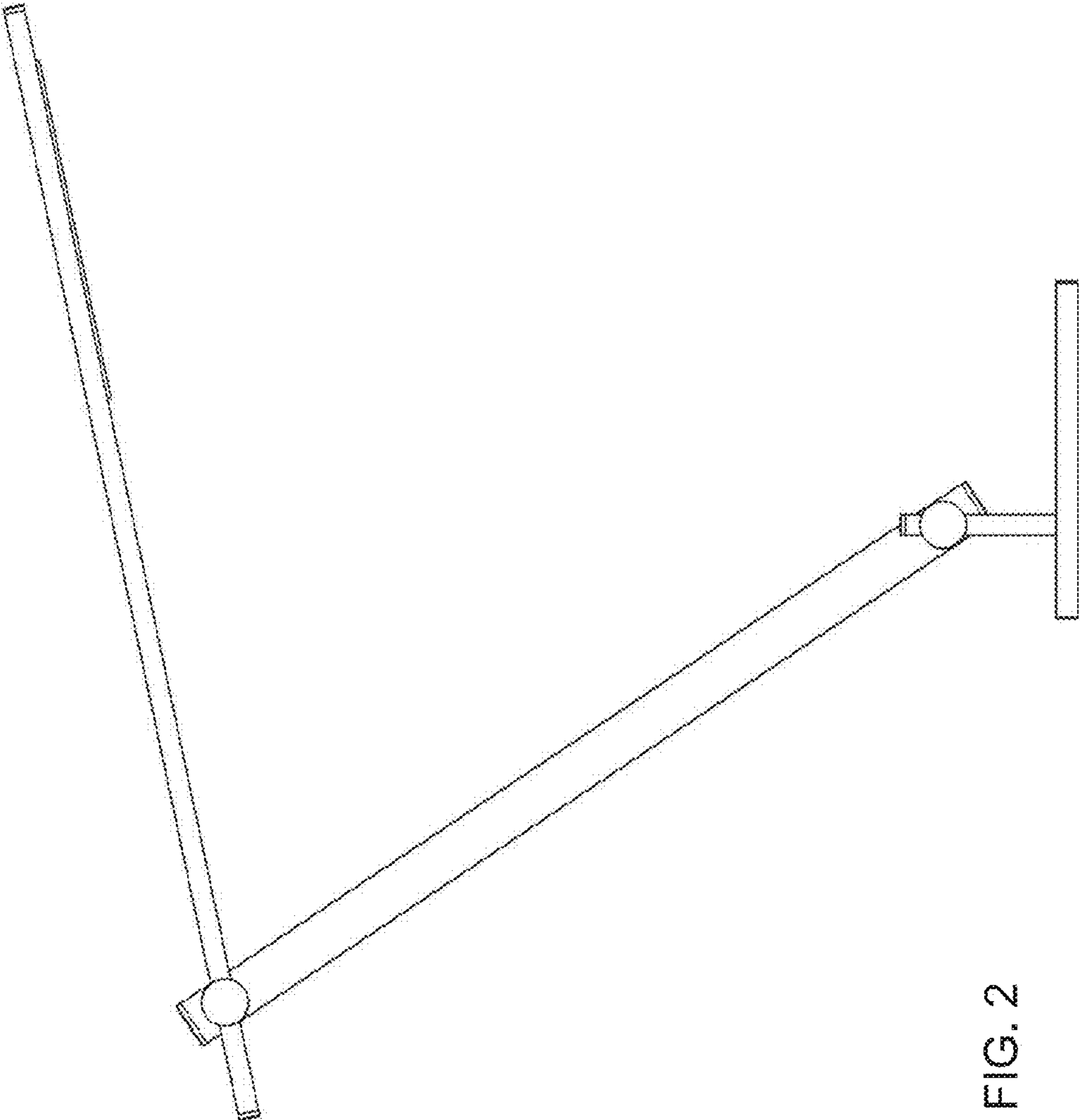


FIG. 2

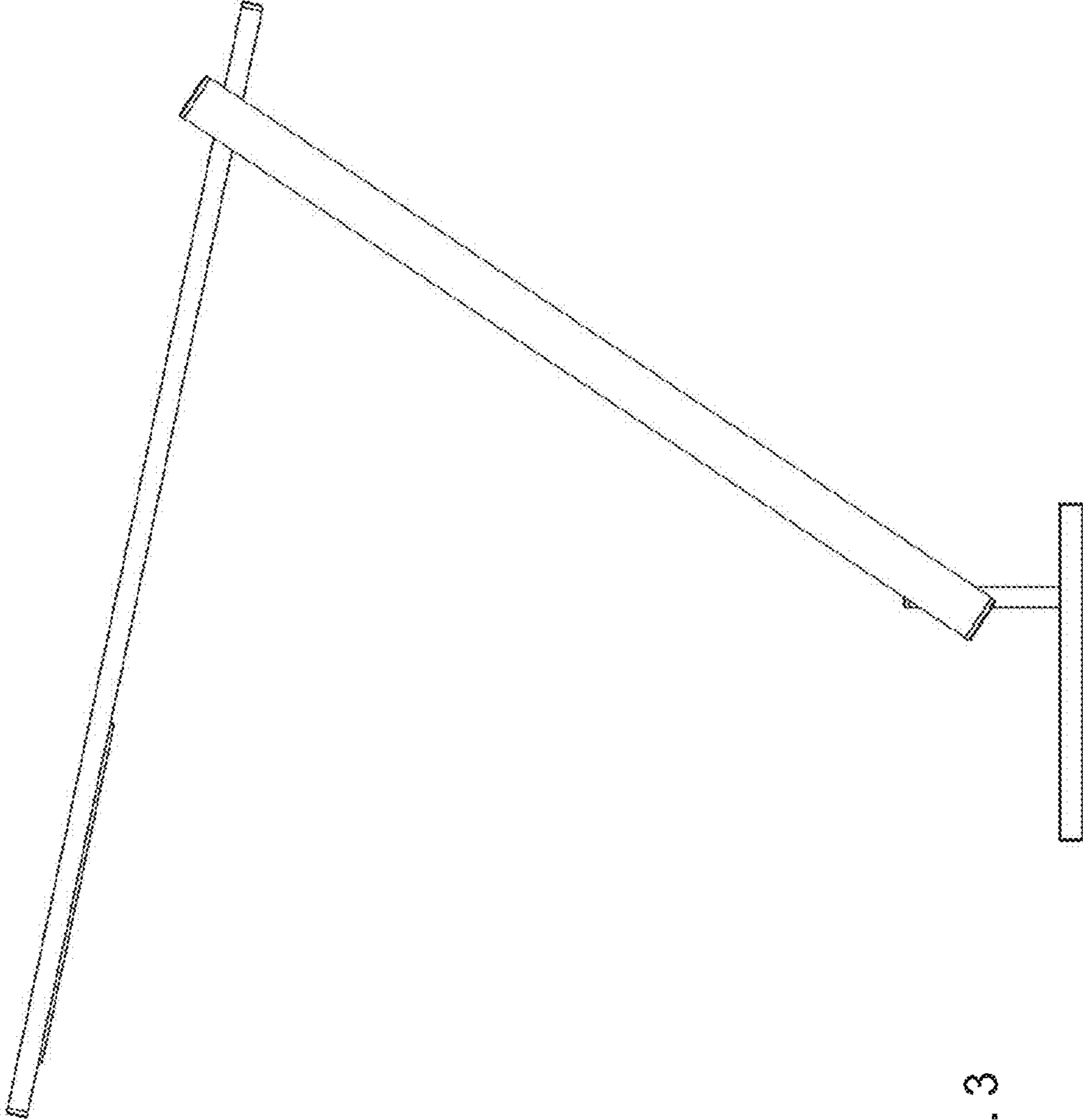


FIG. 3

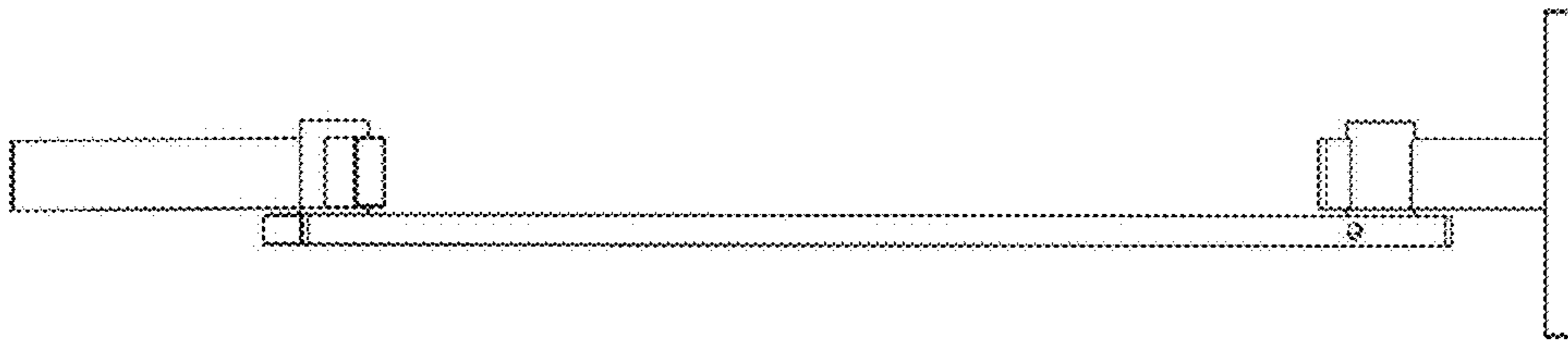


FIG. 4

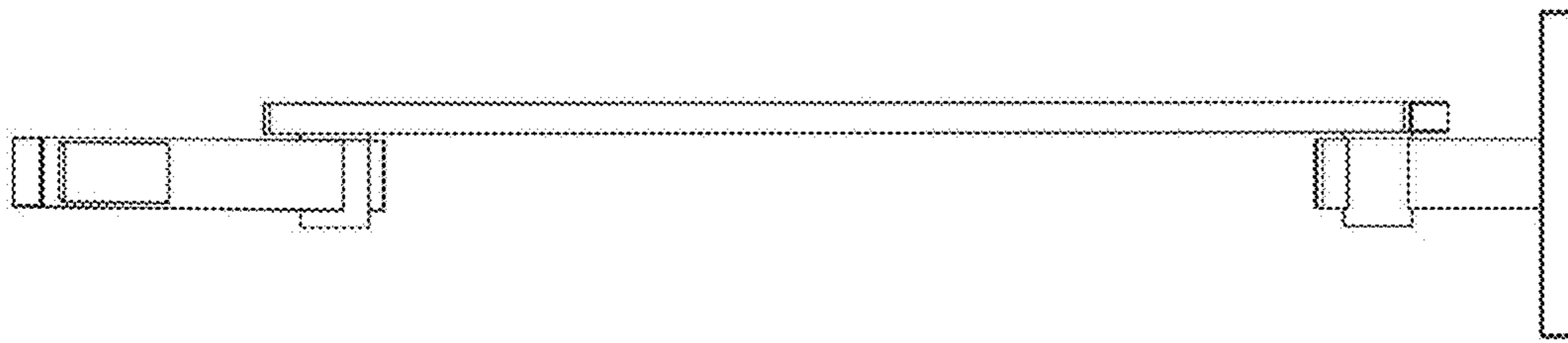


FIG. 5

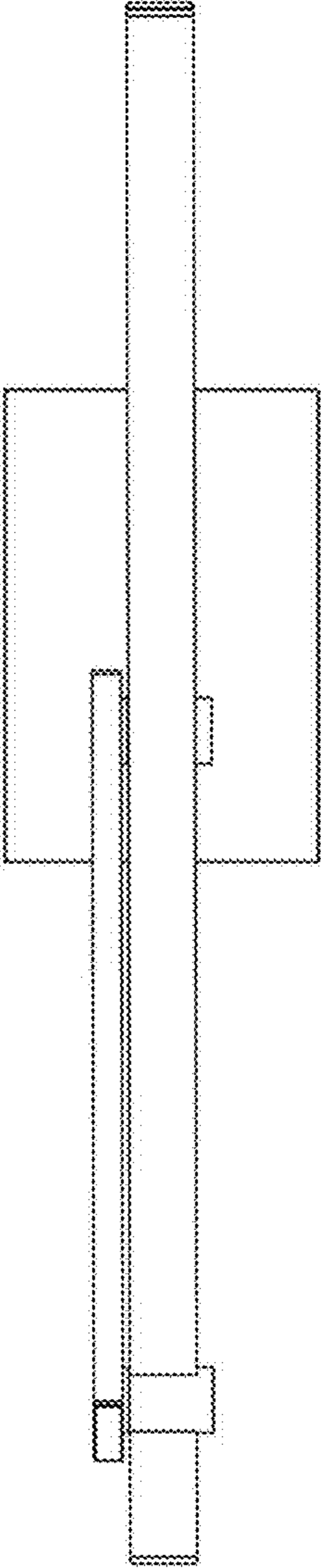


FIG. 6

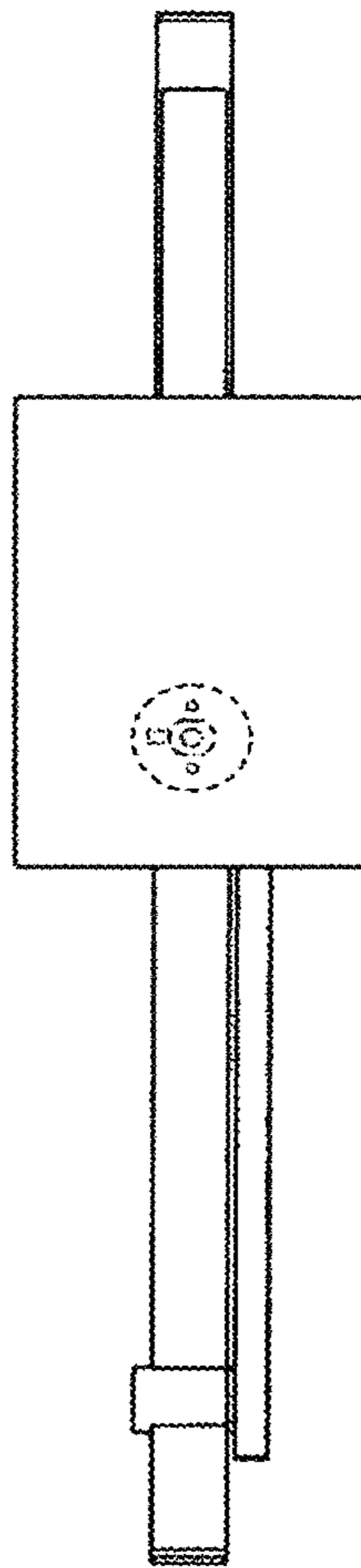


FIG. 7