



US00D753328S

(12) **United States Design Patent**  
**Mathews et al.**

(10) **Patent No.:** **US D753,328 S**

(45) **Date of Patent:** **\*\* Apr. 5, 2016**

(54) **CYLINDRICAL LIGHTING FIXTURE**

(71) Applicant: **Lucifer Lighting Company**, San Antonio, TX (US)

(72) Inventors: **Ben Mathews**, San Antonio, TX (US);  
**Scott Dupre**, Riverside, RI (US)

(73) Assignee: **LUCIFER LIGHTING COMPANY**, San Antonio, TX (US)

(\*\*) Term: **14 Years**

(21) Appl. No.: **29/472,987**

(22) Filed: **Nov. 18, 2013**

(51) **LOC (10) Cl.** ..... **26-03**

(52) **U.S. Cl.**  
USPC ..... **D26/63**

(58) **Field of Classification Search**  
USPC ..... D26/1, 24, 61, 63, 65, 85, 92  
CPC ..... F21V 21/14; F21V 15/01; F21V 14/02;  
F21V 21/30; F21V 21/00; F21V 14/00;  
F21S 8/00; F21S 8/003; F21S 8/043; F21Y  
2105/001

See application file for complete search history.

(56) **References Cited**

**U.S. PATENT DOCUMENTS**

D234,710 S \* 4/1975 Beeren ..... D26/63  
D253,853 S \* 1/1980 Gerber ..... D26/63

(Continued)

**FOREIGN PATENT DOCUMENTS**

DE 202009000699 3/2009  
DE 102008055864 5/2010

(Continued)

**OTHER PUBLICATIONS**

Search Report and Written Opinion issued in International Application No. PCT/US2014/034968.

Installation instruction for YOU-TURN ON H111-35. [http://deltalight.com/downloads/manual/6\\_313\\_02\\_1935\\_HAND.pdf](http://deltalight.com/downloads/manual/6_313_02_1935_HAND.pdf).

Cooper Lighting by Eaton, products C17032, C17042. [http://www.cooperindustries.com/content/public/en/lighting/products/indoor\\_ceiling\\_wall\\_mount\\_lighting/ceiling\\_mount/\\_165822.html](http://www.cooperindustries.com/content/public/en/lighting/products/indoor_ceiling_wall_mount_lighting/ceiling_mount/_165822.html).

(Continued)

*Primary Examiner* — Brian N Vinson  
(74) *Attorney, Agent, or Firm* — Norton Rose Fulbright US LLP

(57) **CLAIM**

The ornamental design for a cylindrical lighting fixture, as shown and described.

**DESCRIPTION**

FIG. 1 is a front perspective view of a first embodiment of our design, shown in a first position in which the first embodiment is symmetrical about its longitudinal axis;

FIG. 2 is a side view of the first embodiment in the first position;

FIG. 3 is a bottom view of the first embodiment in the first position;

FIG. 4 is a front perspective view of a second embodiment of our design, shown in a first position in which the first embodiment is symmetrical about its longitudinal axis and broken in two locations to indicate that the lengths of the upper cylinder shape and the lower cylinder shape may vary;

FIG. 5 is a side view of the second embodiment in the first position;

FIG. 6 is a bottom view of the second embodiment in the first position;

FIG. 7 is a front perspective view of the first embodiment, shown in a second position in which the lower cylinder shape is angularly disposed relative to the upper cylinder shape;

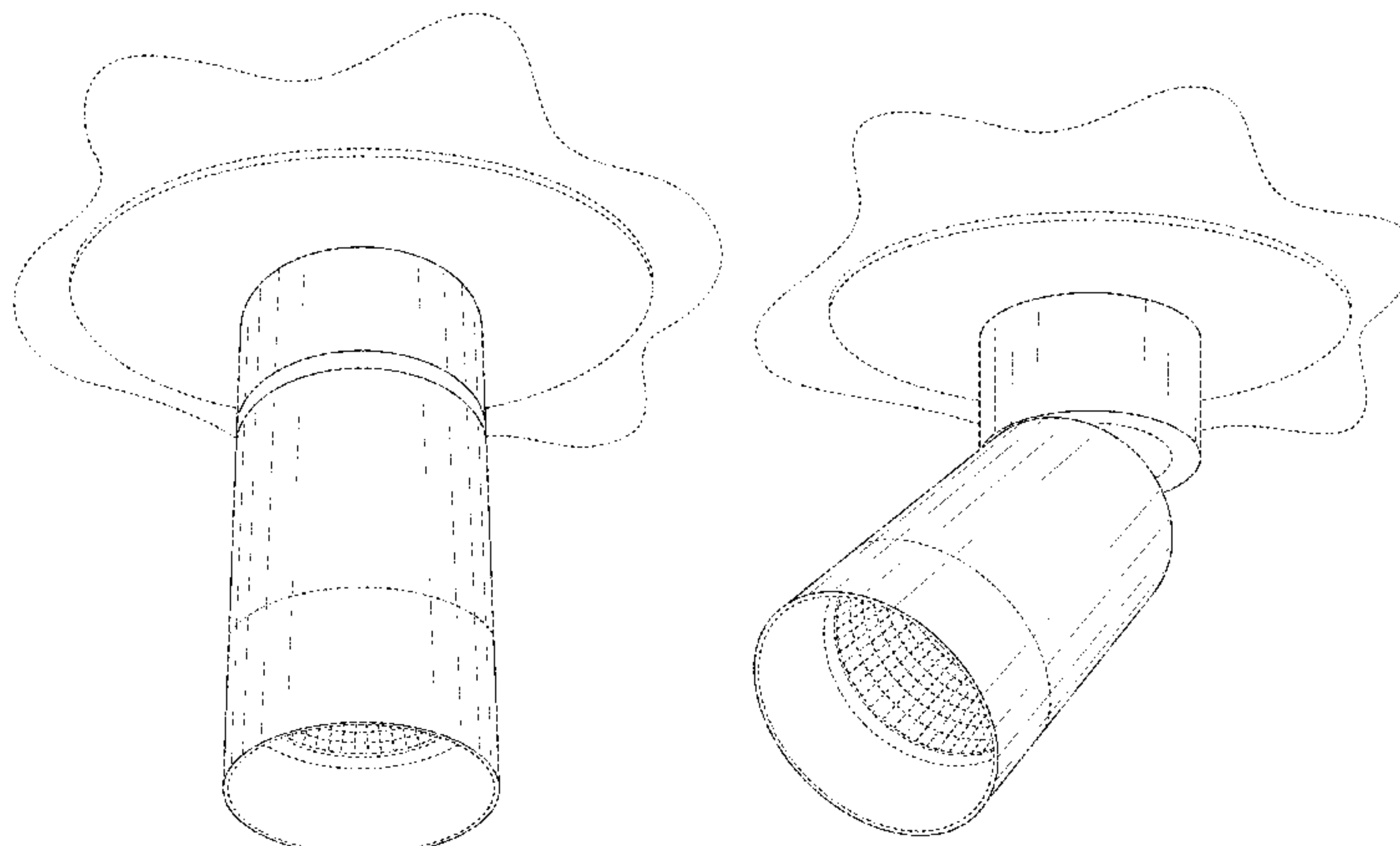
FIG. 8 is a back perspective view of the first embodiment in the second position;

FIG. 9 is a front perspective view of the second embodiment, shown in a second position in which the lower cylinder shape is angularly disposed relative to the upper cylinder shape; and,

FIG. 10 is a back perspective view of the second embodiment in the second position.

The broken-line disclosure represents unclaimed environmental structure and portions of the lighting fixture which form no part of the claimed design. The areas between the portions of the cylinder shown broken-away form no part of the claimed design.

**1 Claim, 10 Drawing Sheets**



(56)

**References Cited**

U.S. PATENT DOCUMENTS

5,289,358	A	2/1994	Halemeier	
6,079,992	A	6/2000	Kuchar et al.	
D592,791	S	5/2009	Sabernig	
7,762,688	B2	7/2010	Dixon et al.	362/287
D646,821	S *	10/2011	Wauters	D26/63
D655,841	S *	3/2012	Coleman, Jr.	D26/63
D664,279	S *	7/2012	Meise et al.	D26/74
D697,245	S *	1/2014	Thomas et al.	D26/63
D703,359	S *	4/2014	Thomas et al.	D26/63
2011/0164422	A1	7/2011	Chan	362/284

FOREIGN PATENT DOCUMENTS

EP	1293724	9/2003
EP	1 657 486	5/2006
GB	870482	6/1961
JP	2003297136	10/2003
JP	1232045	3/2005
JP	2008-047448	2/2008
JP	2008-218188	9/2008
TW	286228	9/1996
TW	287875	10/1996
TW	144227	12/2011

OTHER PUBLICATIONS

Kurt Versen, products L137, L135, L133. [http://www.kurtversen.com/products/1137\\_1135\\_1133/](http://www.kurtversen.com/products/1137_1135_1133/).

Taiwanese Office Action and Search Report dated Feb. 6, 2015 for corresponding application No. 103302951 filed May 16, 2014.

Bulb.com, "One Light Adjustable Wall or Ceiling Heat Lamp Fixture with Black Baffle, White Finish", accessed Apr. 8, 2014, 1 page, <http://www.bulbs.com/espec.aspx?ID=17518>.

Archi Expo, "LED track-light (adjustable)—STAR : 55 QPAR 51 DLR—BRUCK", accessed Apr. 8, 2014, 35 pages, <http://www.archiexpo.com/prod/bruck/led-track-lights-adjustables-53105-1124273.html>.

Deltalight®, "Installation Instructions for You-Turn on H111-35", 3 pages, Jan. 10, 2013, [www.deltalight.com](http://www.deltalight.com).

Kurt Versen, "Narrow, Medium, Wide Distribution Surface Form, 5" Diameter", 2014, [www.kurtversen.com/products/1137\\_1135\\_1133/](http://www.kurtversen.com/products/1137_1135_1133/).

Cooper Industries, "Cooper Lighting by Eaton", 12 pages, 2013, [http://www.cooperindustries.com/content/public/en/lighting/products/indoor\\_ceiling\\_wall\\_mount\\_lighting/ceiling\\_mount/\\_165822.html](http://www.cooperindustries.com/content/public/en/lighting/products/indoor_ceiling_wall_mount_lighting/ceiling_mount/_165822.html).

\* cited by examiner

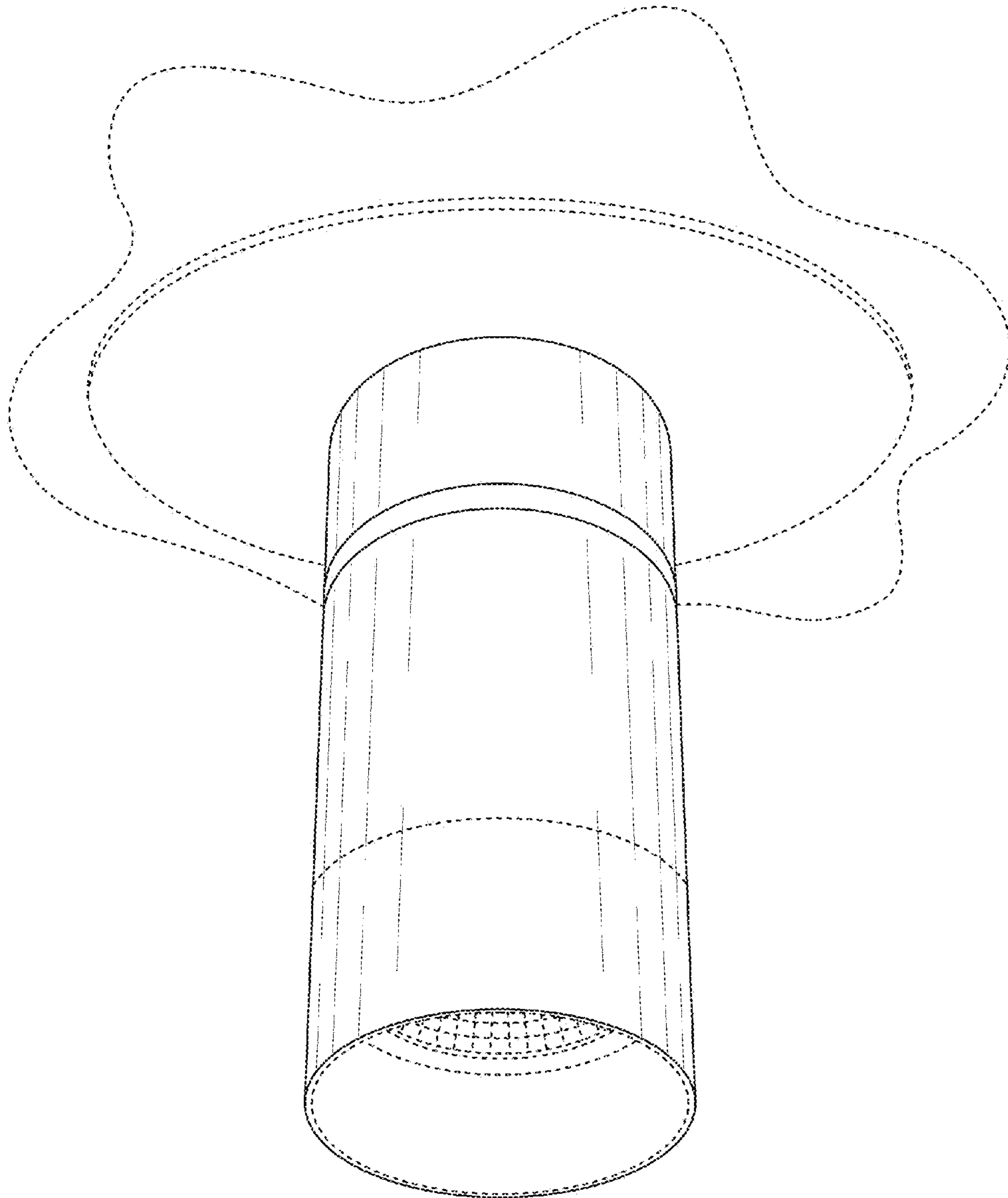


FIG. 1

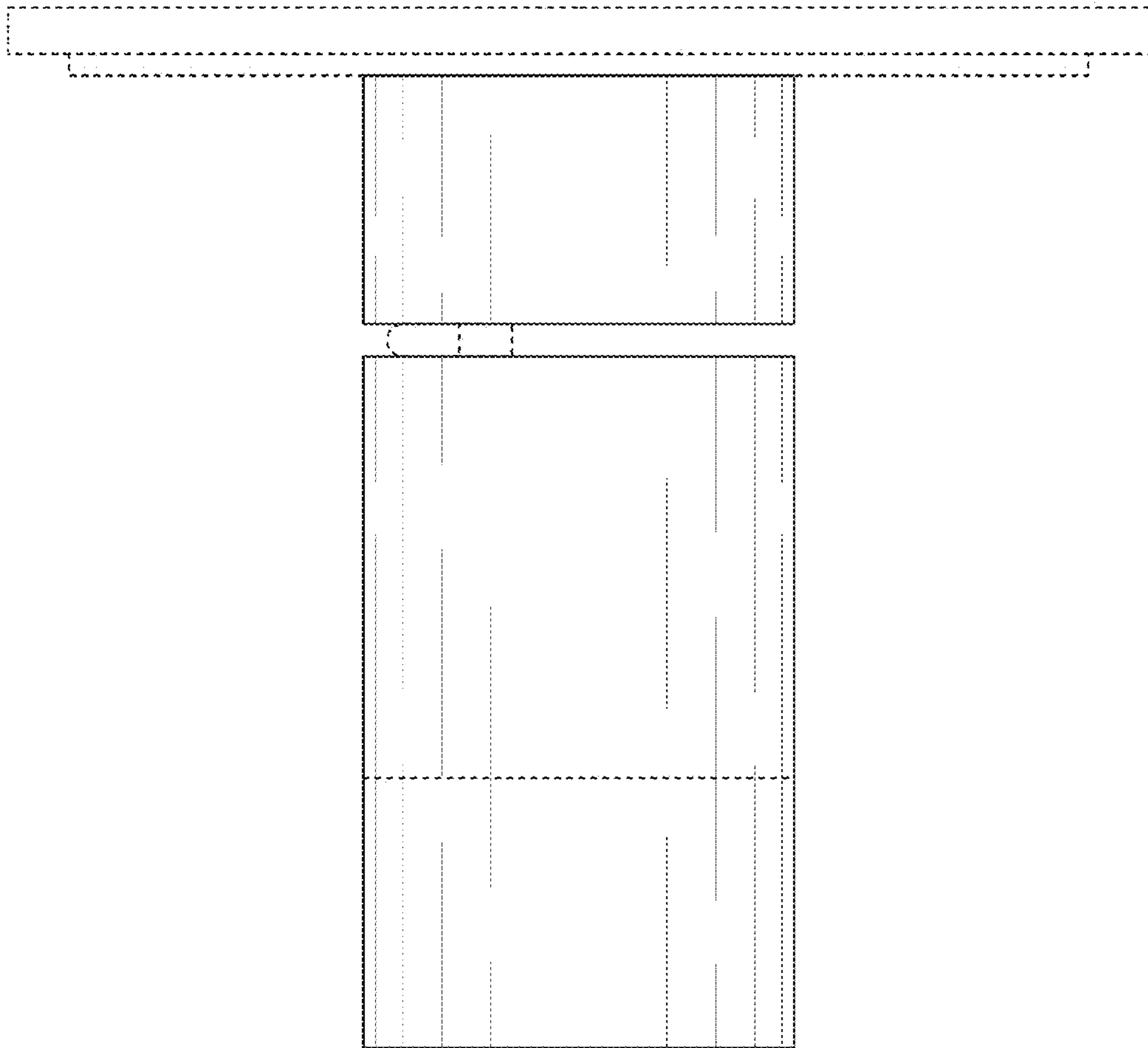
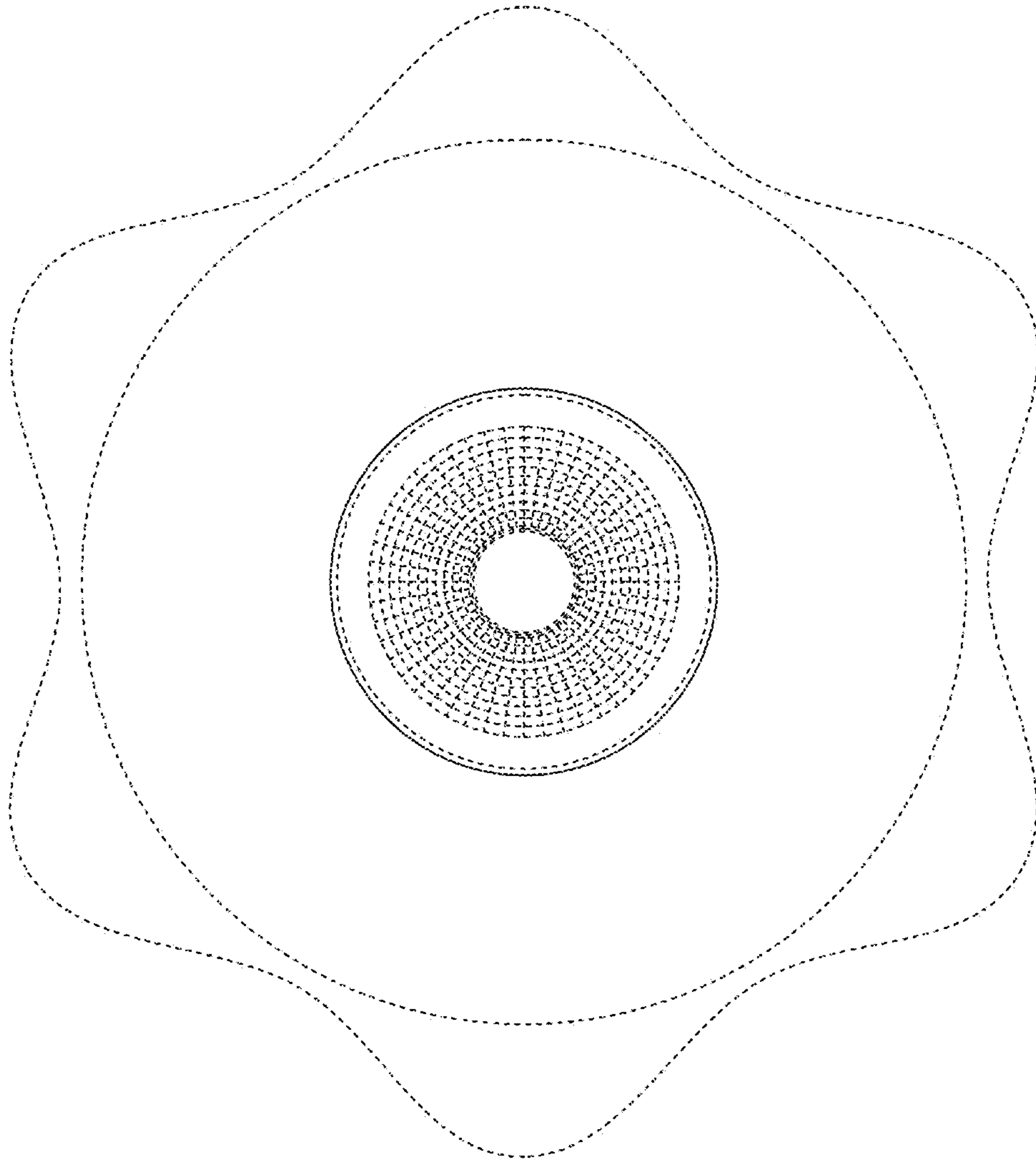


FIG. 2



**FIG. 3**



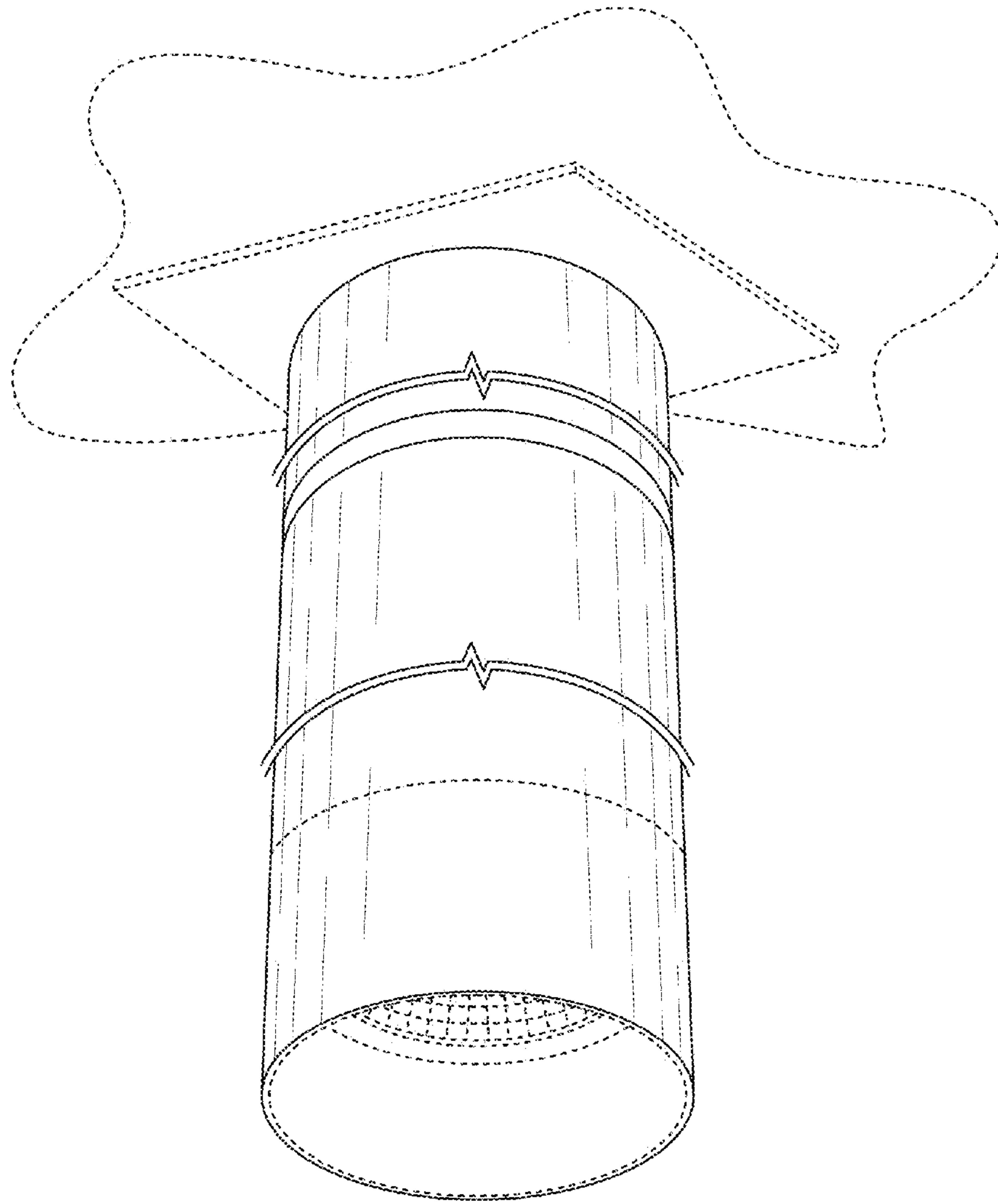


FIG. 4

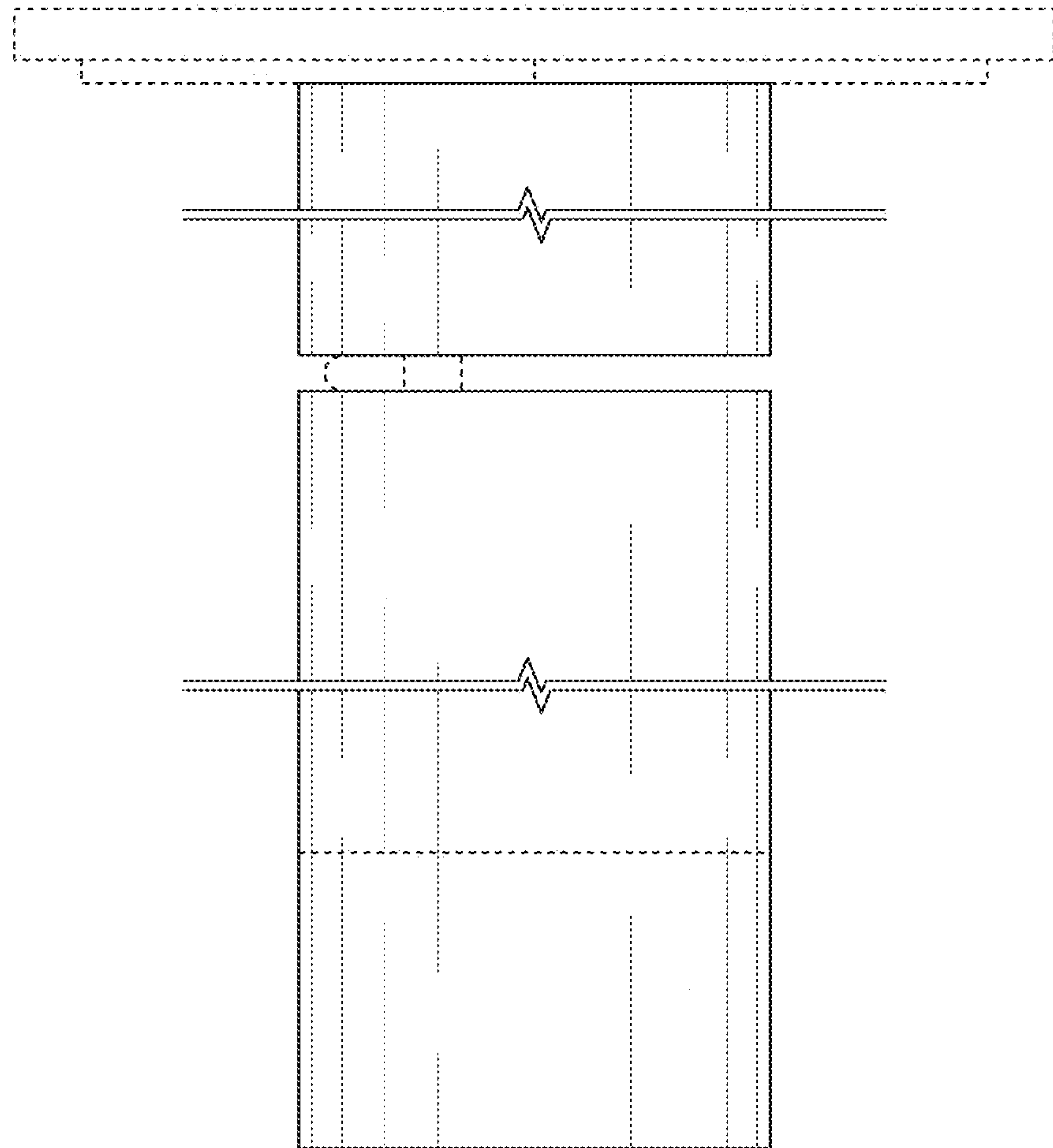


FIG. 5

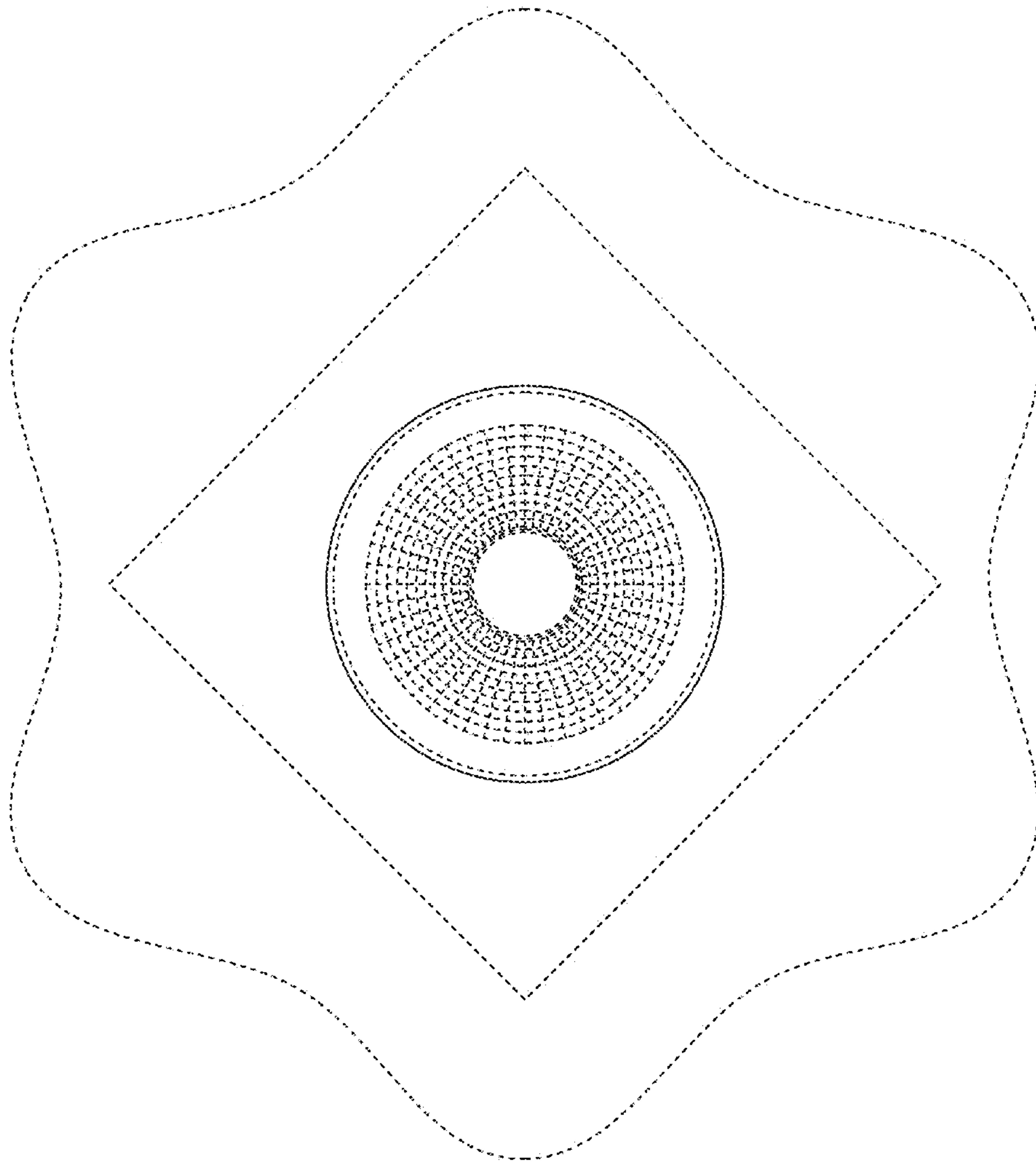


FIG. 6



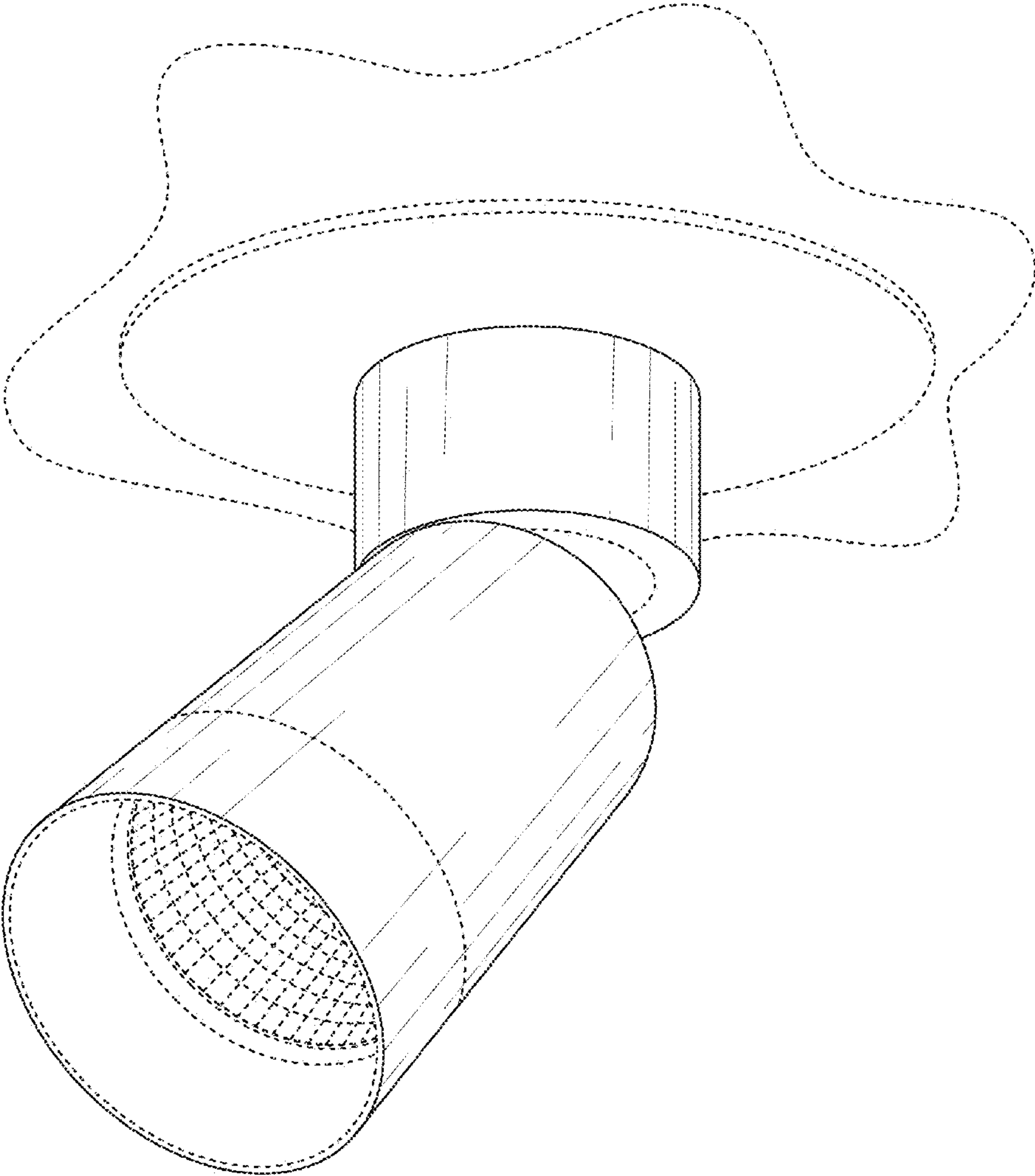


FIG. 7

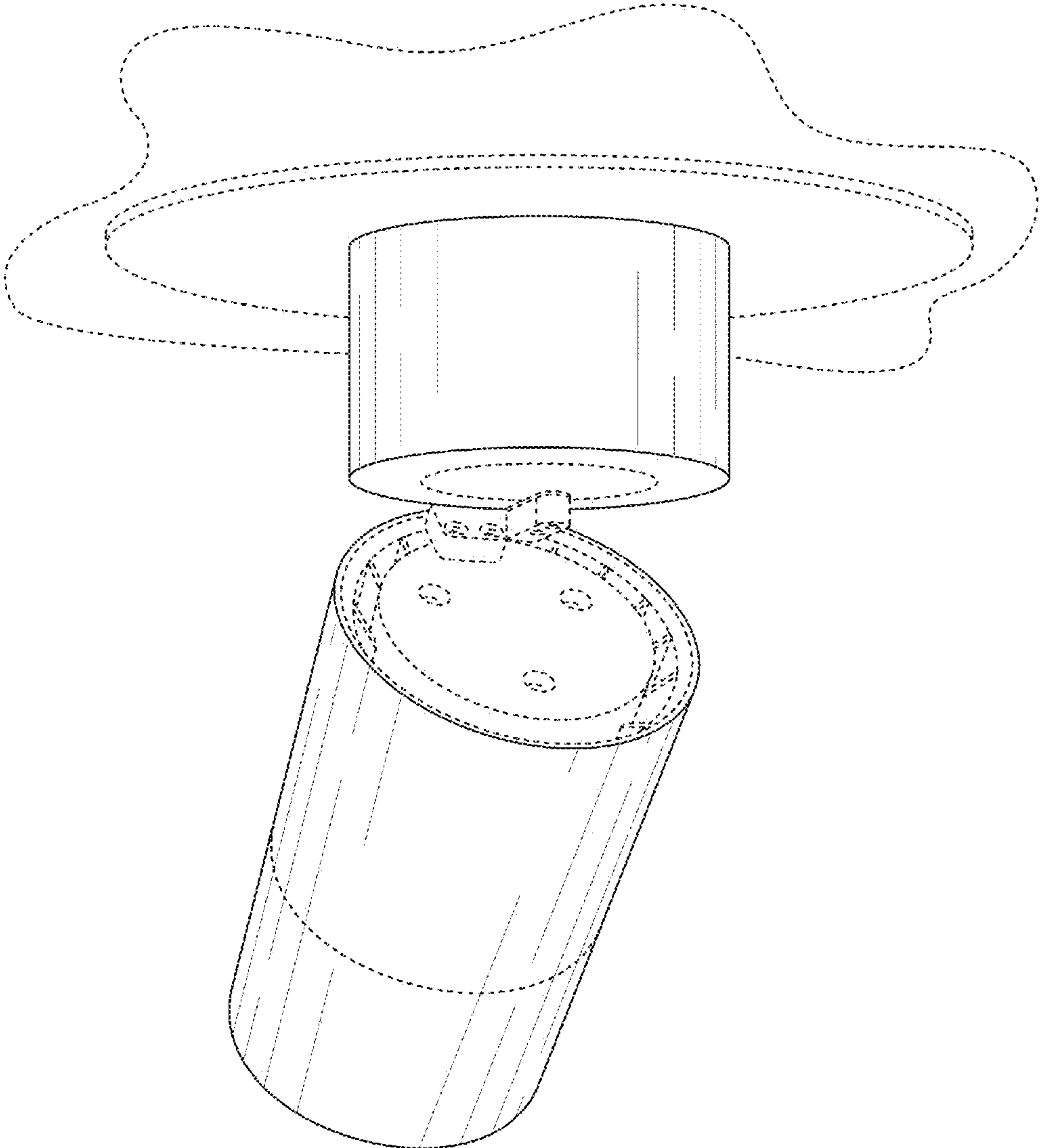


FIG. 8

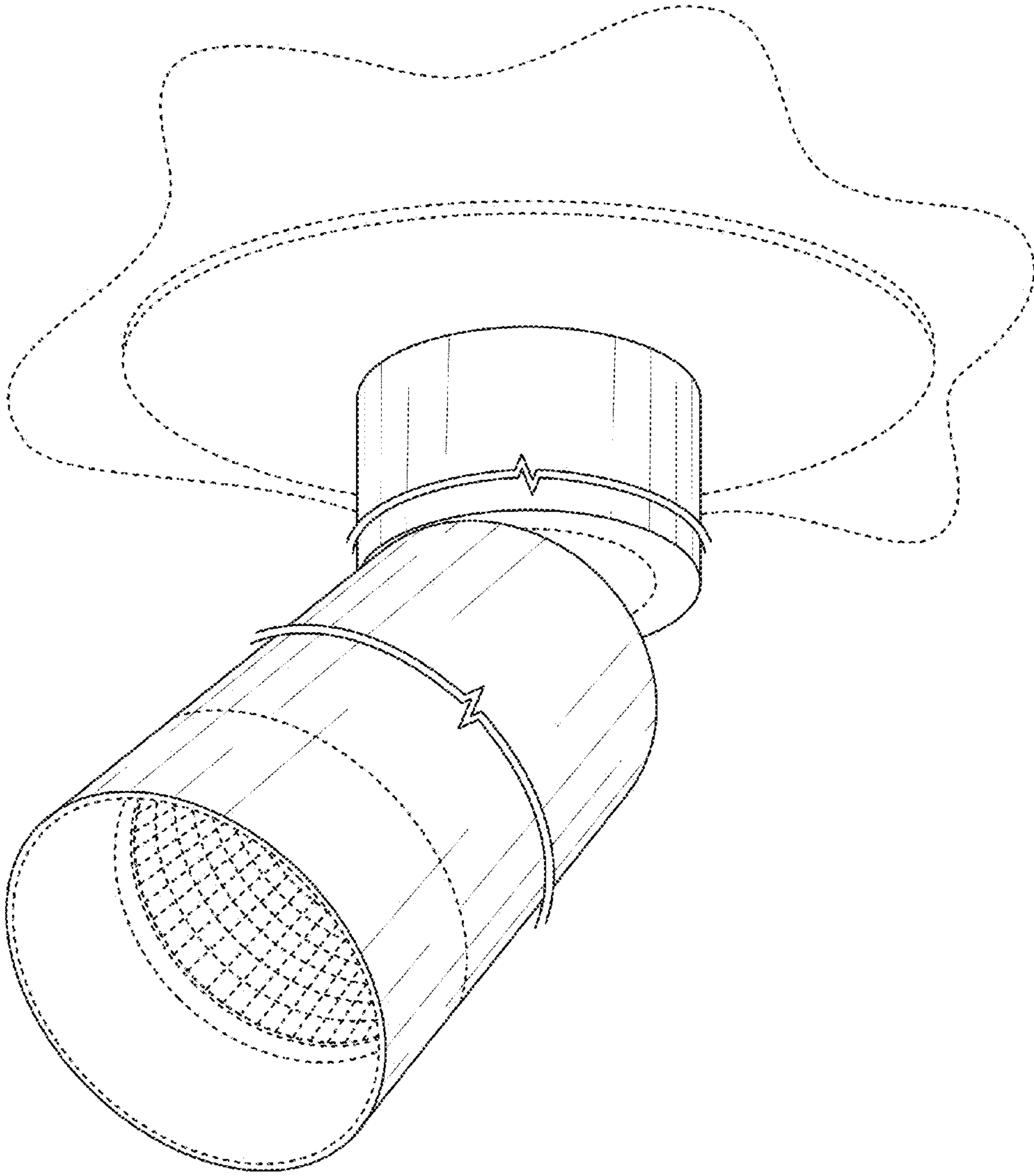


FIG. 9

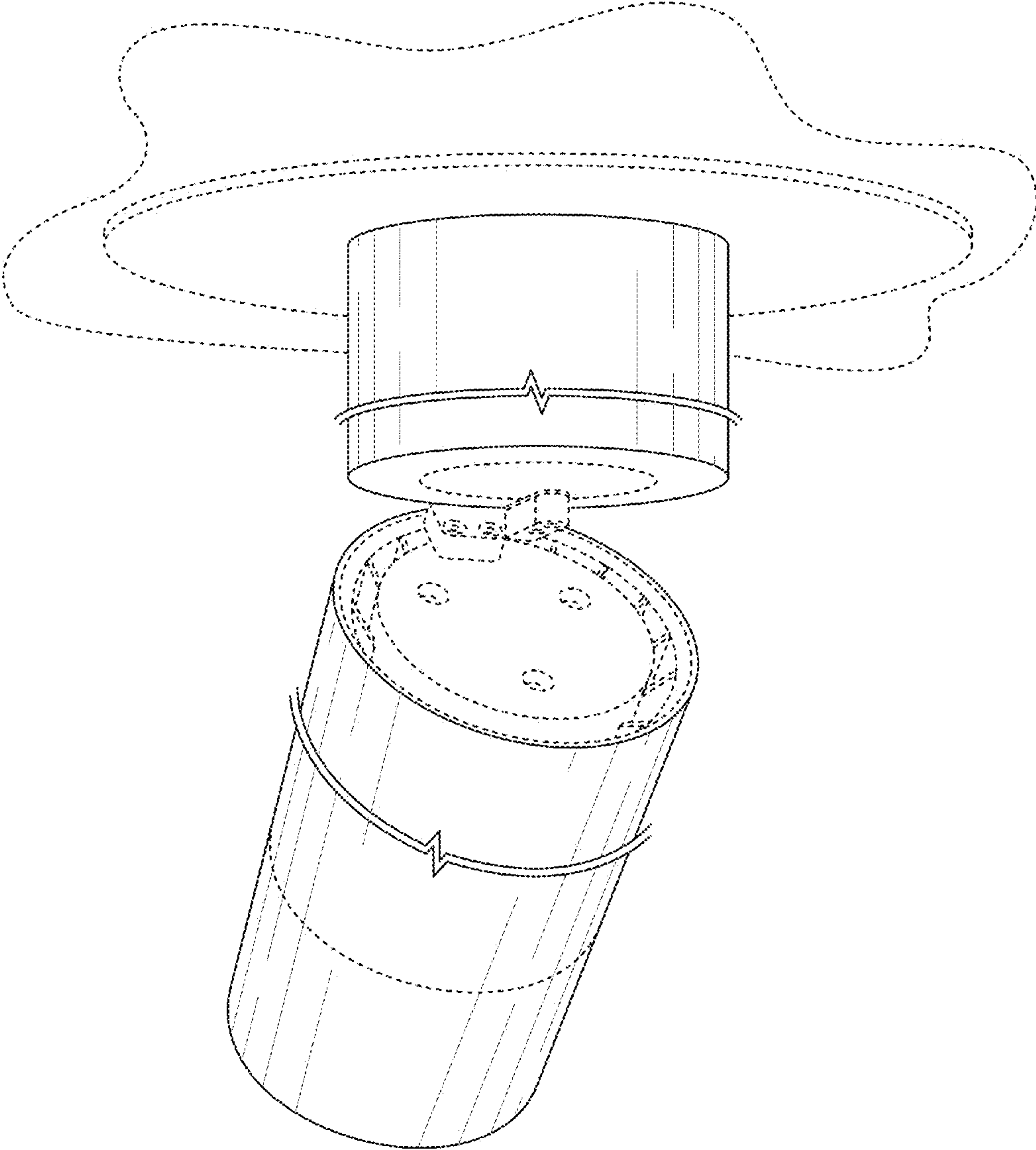


FIG. 10