



US00D753327S

(12) **United States Design Patent**
Miki et al.

(10) **Patent No.:** **US D753,327 S**
(45) **Date of Patent:** **** Apr. 5, 2016**

(54) **LIGHT**

(71) Applicant: **Sony Engineering Corporation,**
Fujisawa-shi, Kanagawa (JP)
(72) Inventors: **Osamu Miki,** Fujisawa (JP); **Tomomasa**
Ibuka, Fujisawa (JP)
(73) Assignee: **Sony Engineering Corporation,**
Fujisawa-shi, Kanagawa (JP)
(**) Term: **14 Years**

(21) Appl. No.: **29/498,636**

(22) Filed: **Aug. 6, 2014**

(30) **Foreign Application Priority Data**

Feb. 10, 2014 (JP) 2014-002668

(51) **LOC (10) Cl.** **26-02**

(52) **U.S. Cl.**
USPC **D26/37**

(58) **Field of Classification Search**
USPC D26/37, 38, 39, 46, 51; 362/103–108,
362/157, 158, 184, 186, 194–196, 200–208,
362/253
CPC F21V 33/00; F21V 14/025; F21V 21/406;
F21Y 2101/02; F21L 17/00; F21L 13/08

See application file for complete search history.

(56) **References Cited**

U.S. PATENT DOCUMENTS

4,788,631 A * 11/1988 Fuller F21V 9/083
362/103
D362,736 S * 9/1995 Leather D10/114.1
D411,894 S * 7/1999 Rick D26/39
6,213,619 B1 * 4/2001 Yu A45F 5/02
116/DIG. 44
6,715,897 B2 * 4/2004 Rowe F21L 4/00
362/103
D635,702 S * 4/2011 Hesse D26/39
D662,239 S * 6/2012 Szymanski D26/39
D665,952 S * 8/2012 Guo D30/152
D699,380 S * 2/2014 Weaver D26/39

* cited by examiner

Primary Examiner — Ian Simmons

Assistant Examiner — Carissa C Fitts

(74) *Attorney, Agent, or Firm* — Jeremy Jay

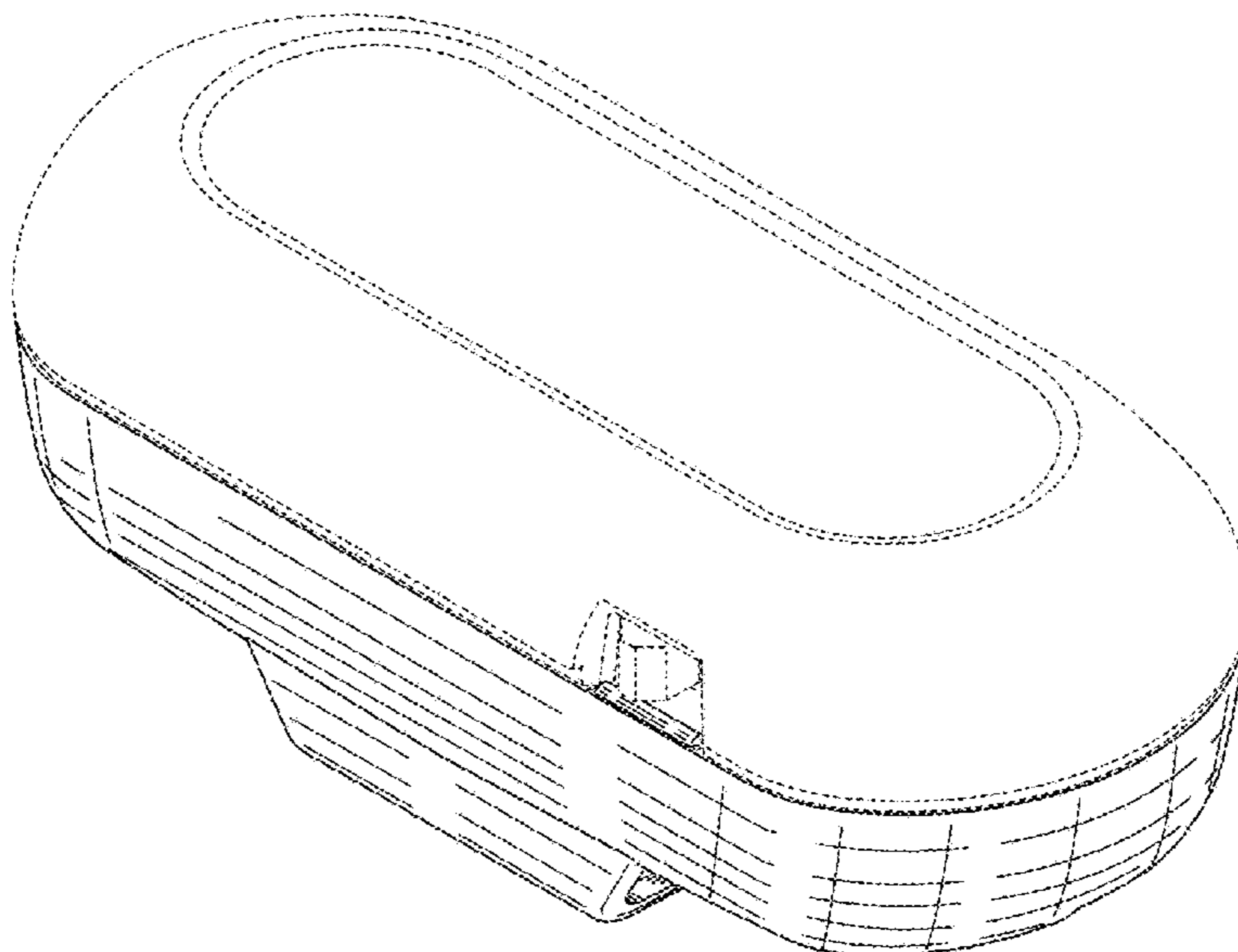
(57) **CLAIM**

The ornamental design for a light, as shown and described.

DESCRIPTION

FIG. 1 is a front view of a light of the present invention.
FIG. 2 is a rear view of the light of FIG. 1.
FIG. 3 is a top plan view of the light of FIG. 1.
FIG. 4 is a bottom view of the light of FIG. 1.
FIG. 5 is a right side view of the light of FIG. 1.
FIG. 6 is a left side view of the light of FIG. 1.
FIG. 7 is a top perspective view of the light of FIG. 1.
FIG. 8 is a bottom perspective view of the light of FIG. 1.
FIG. 9 is a sectional view of the light taken along section line
9-9 of FIG. 1; and,
FIG. 10 is a top perspective view of the light.
The broken line showing represents portions of the article not
claimed and forms no part of claimed design.

1 Claim, 10 Drawing Sheets



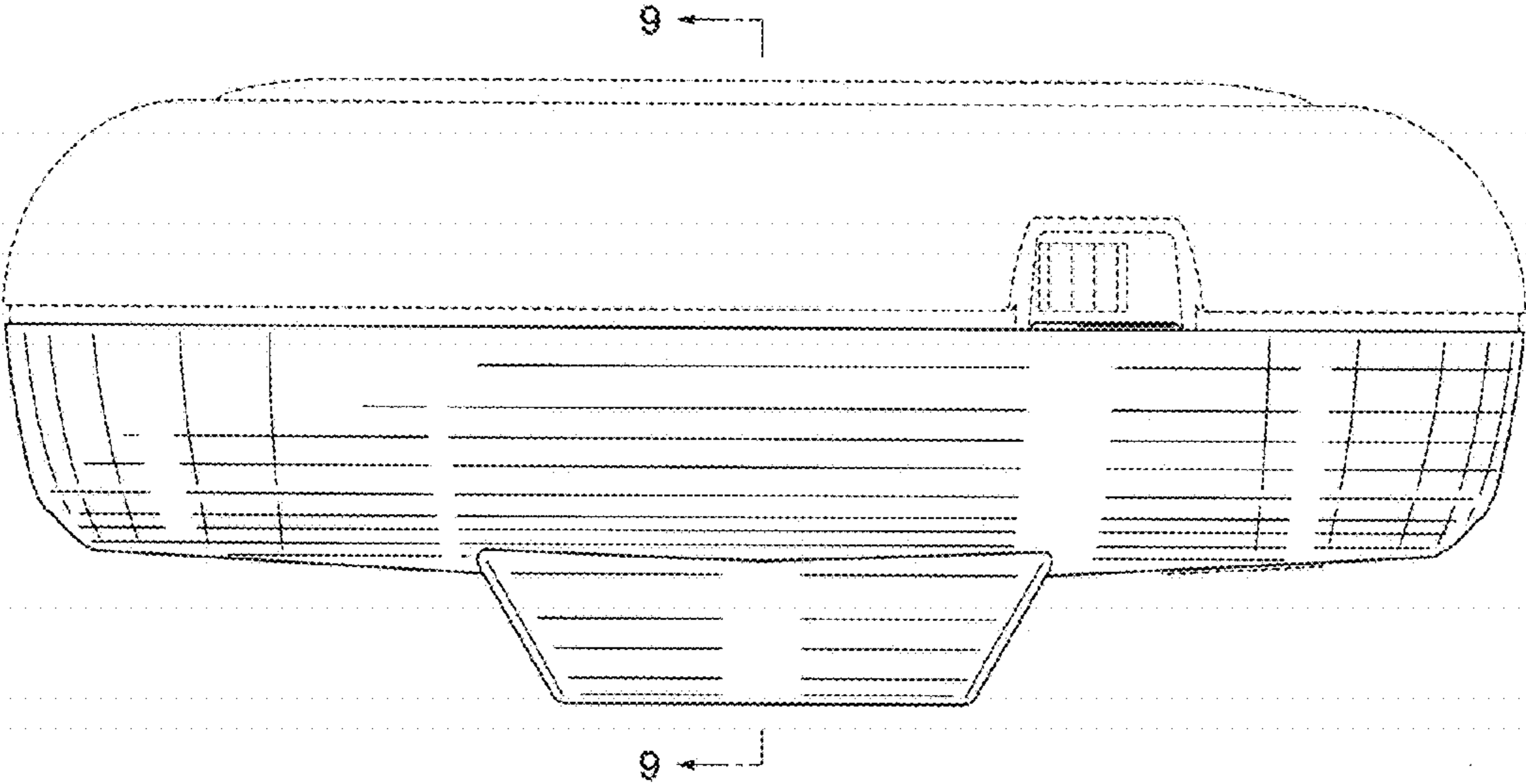


FIG. 1

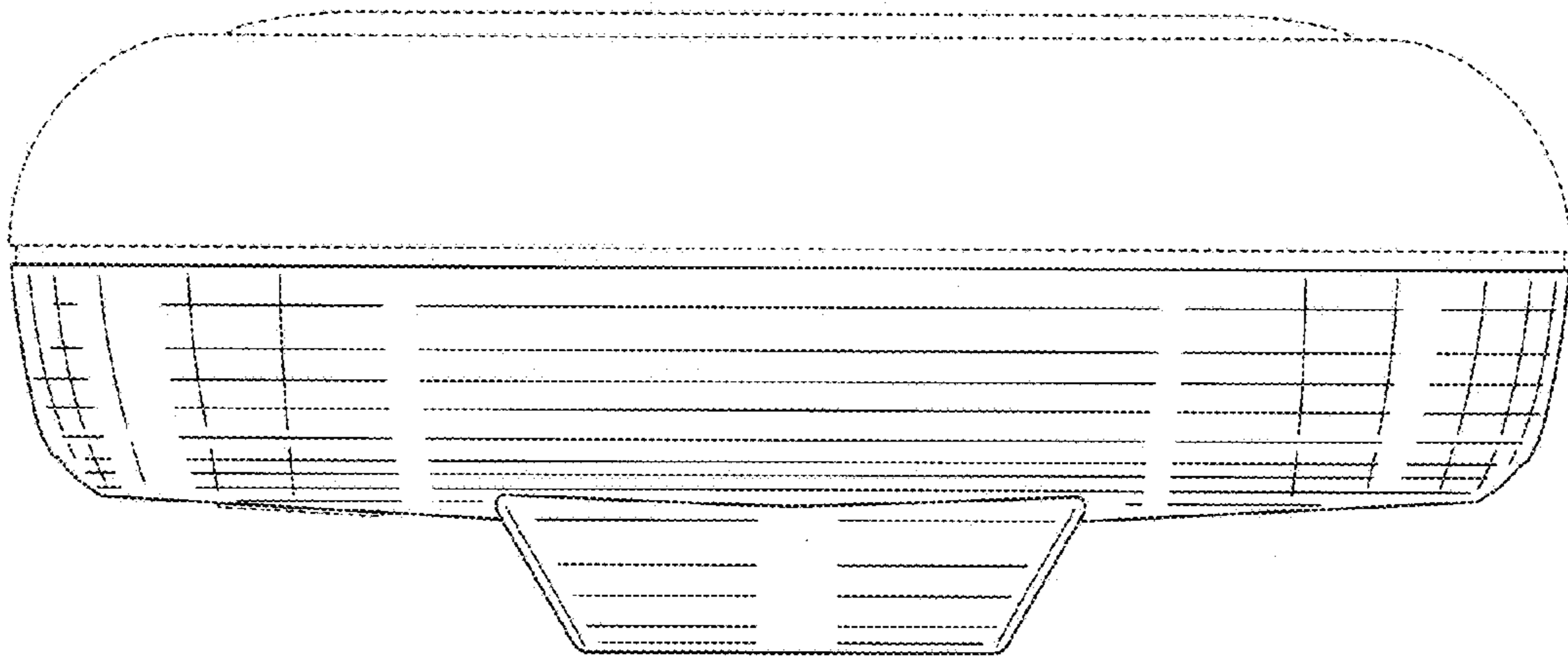


FIG. 2

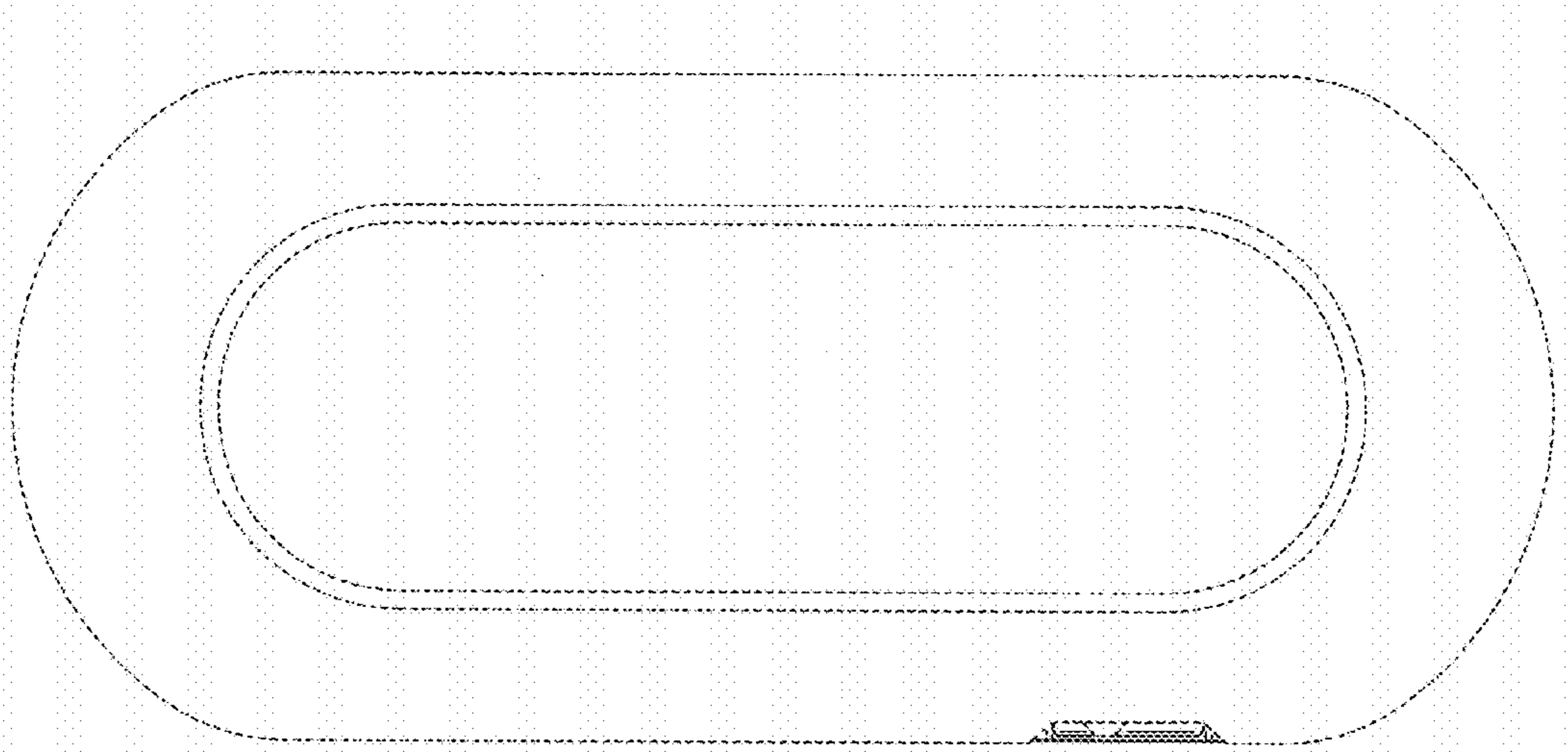


FIG. 3

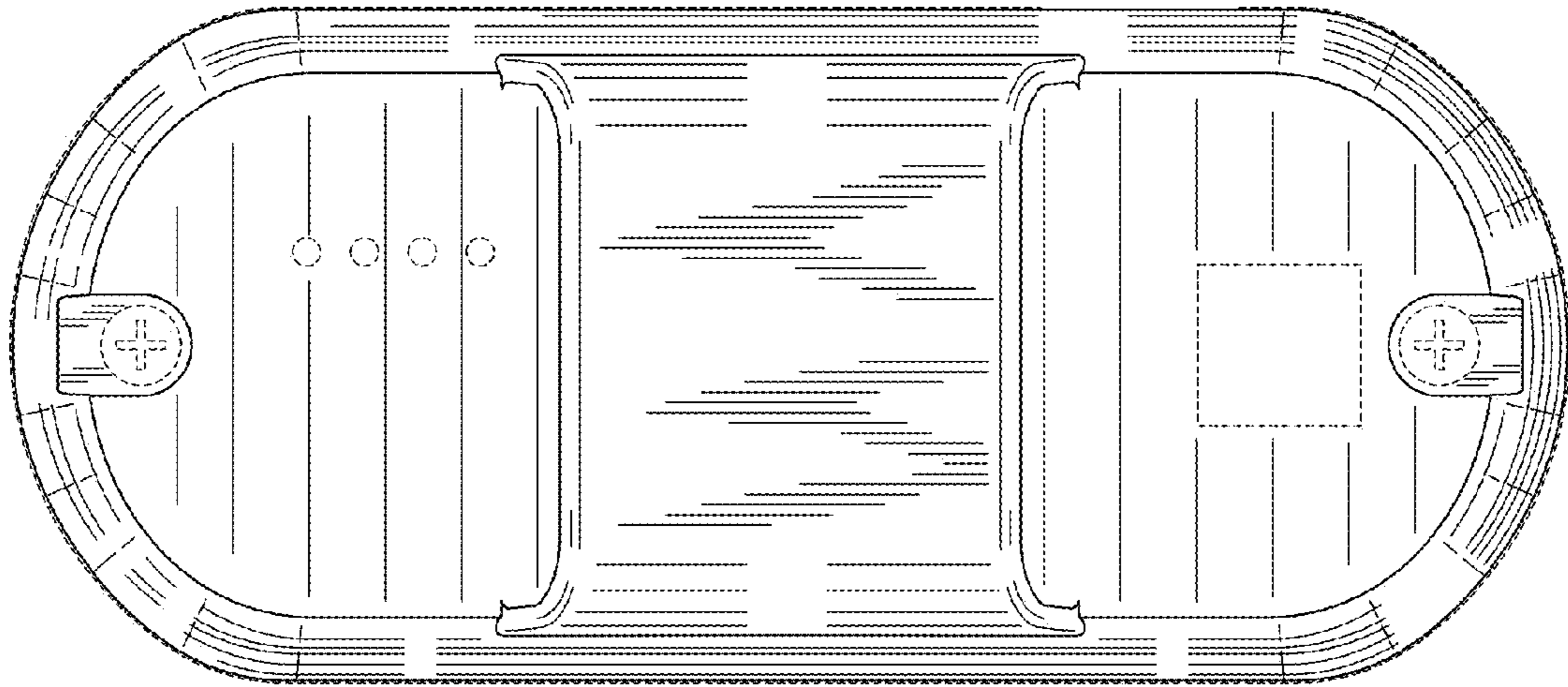


FIG. 4

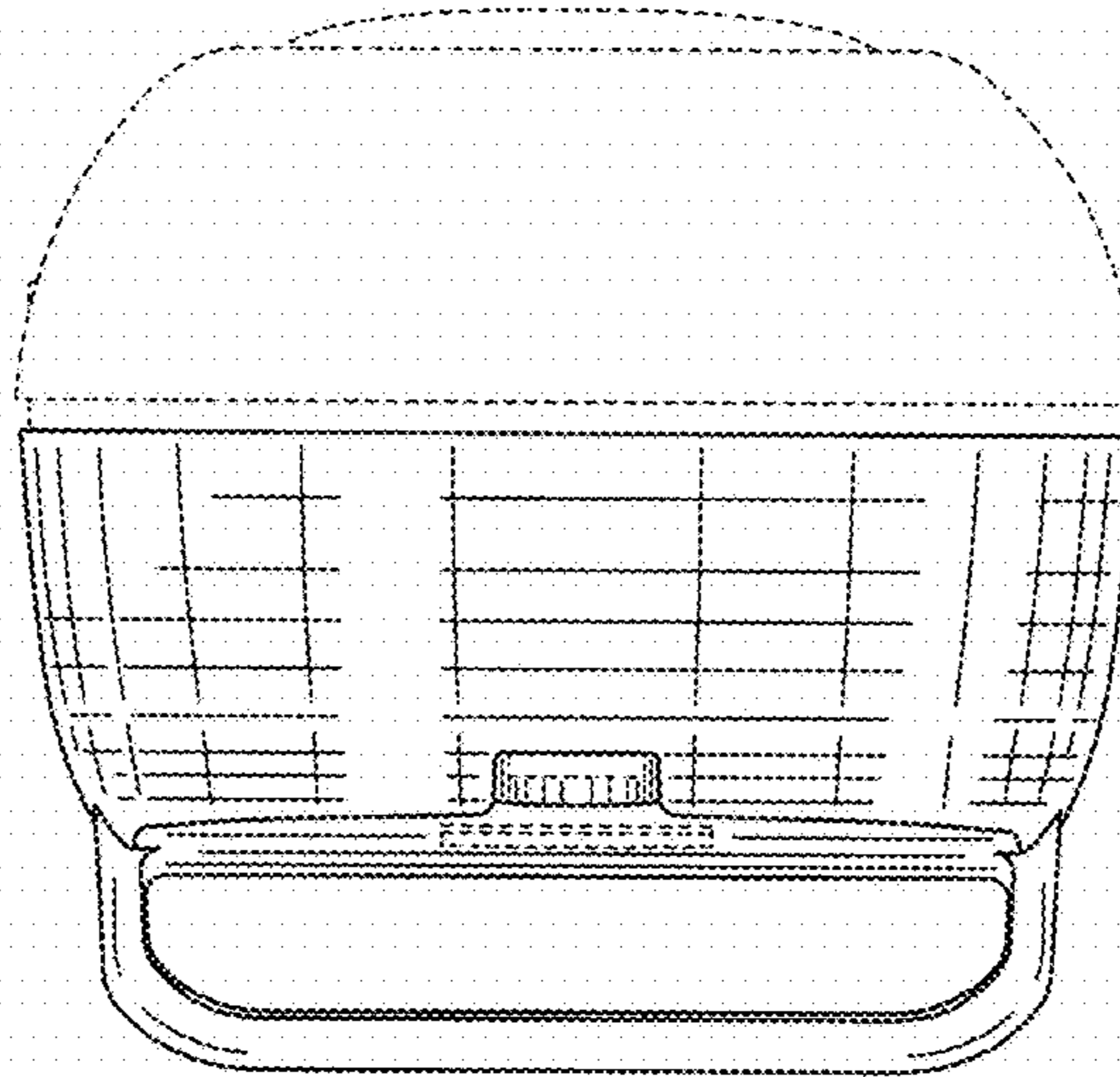


FIG. 5

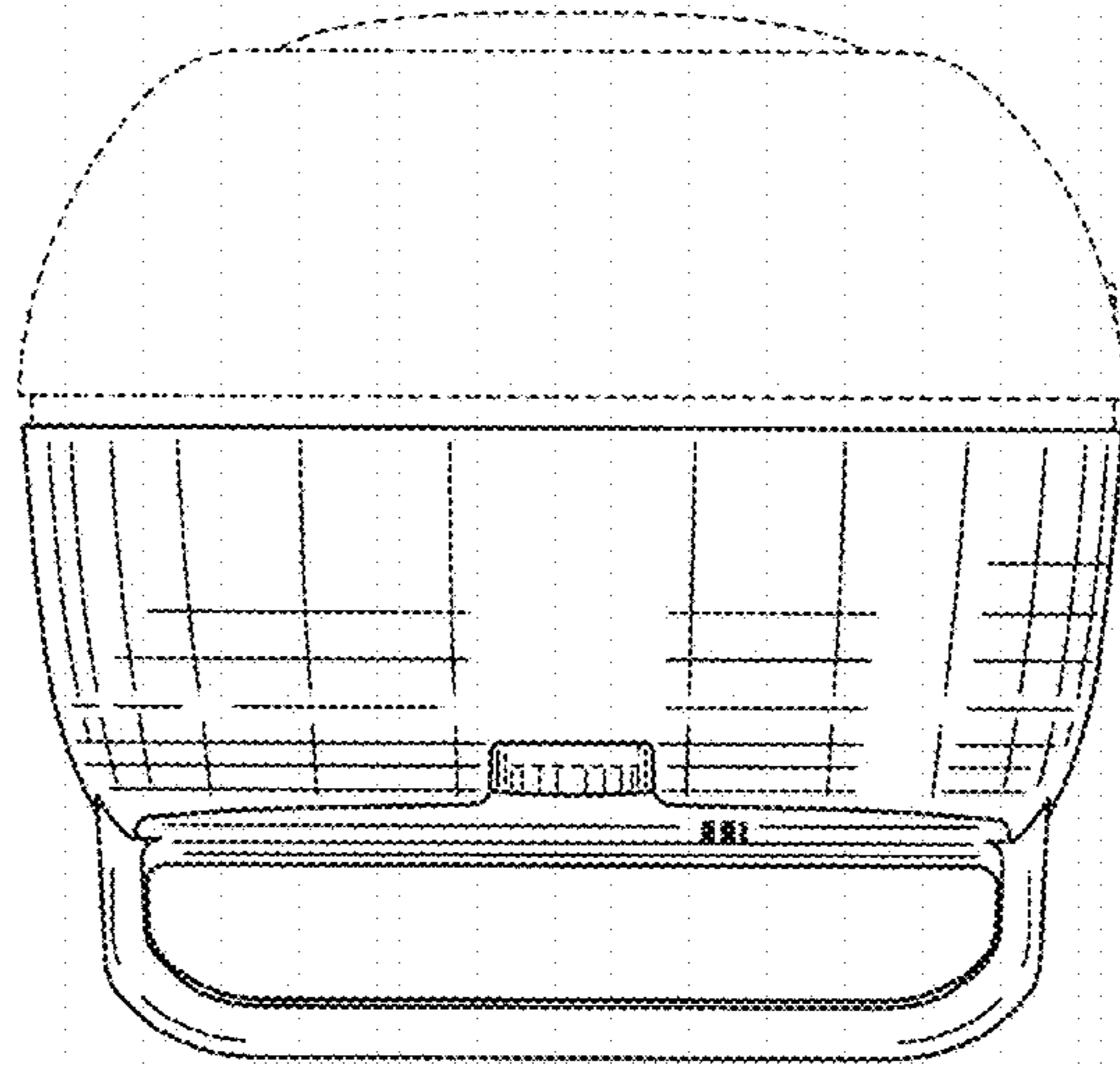


FIG. 6

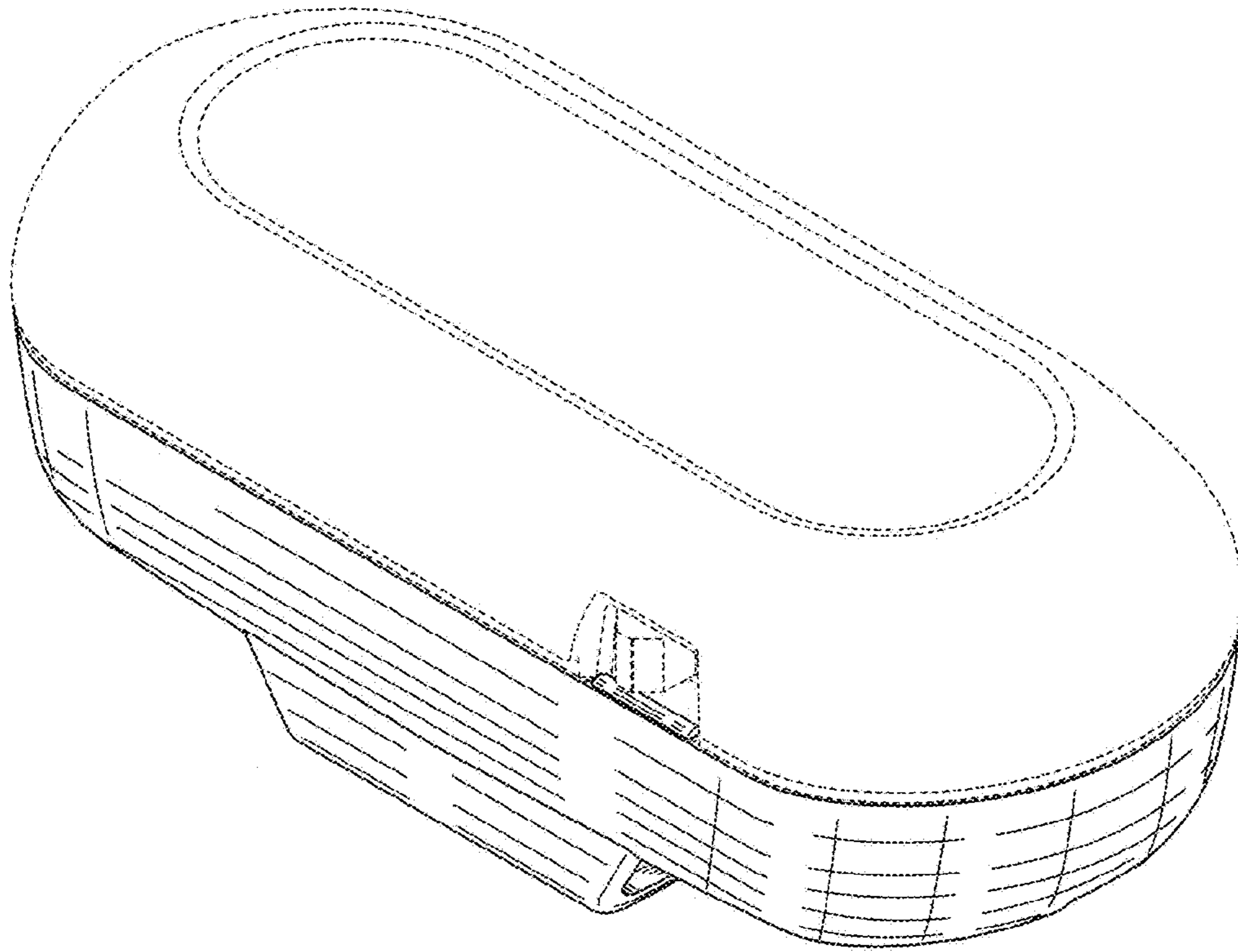


FIG. 7

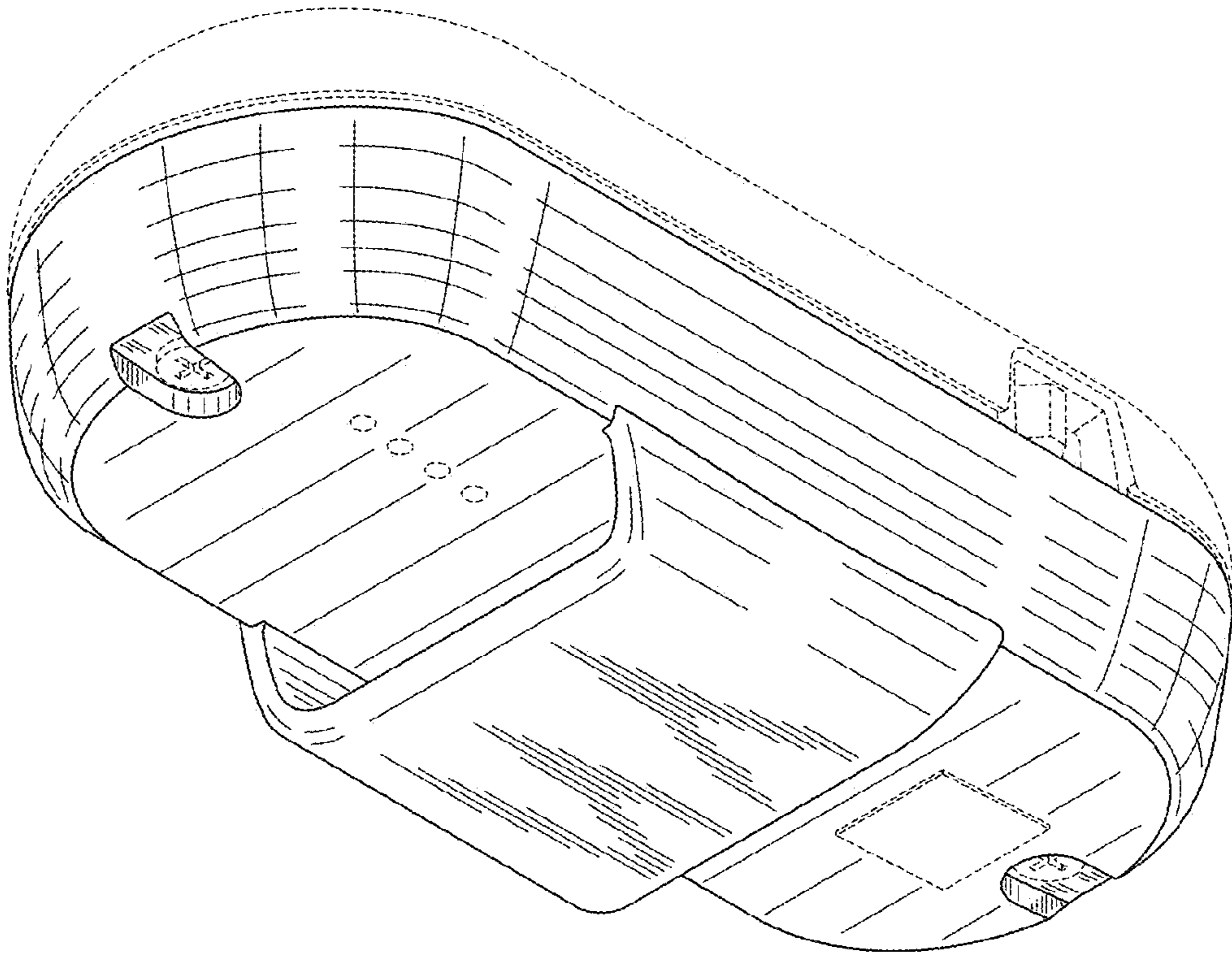


FIG. 8

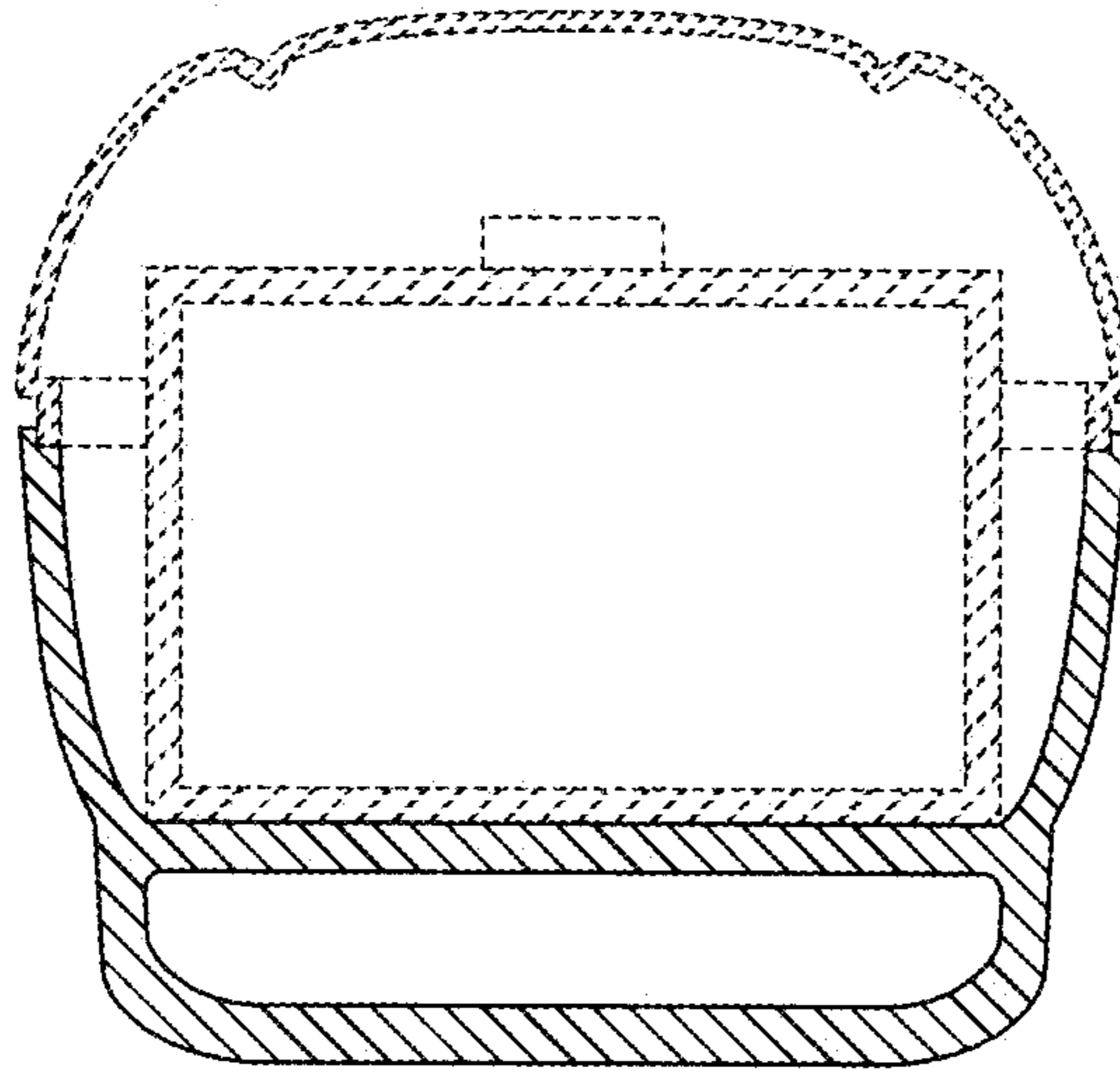


FIG. 9

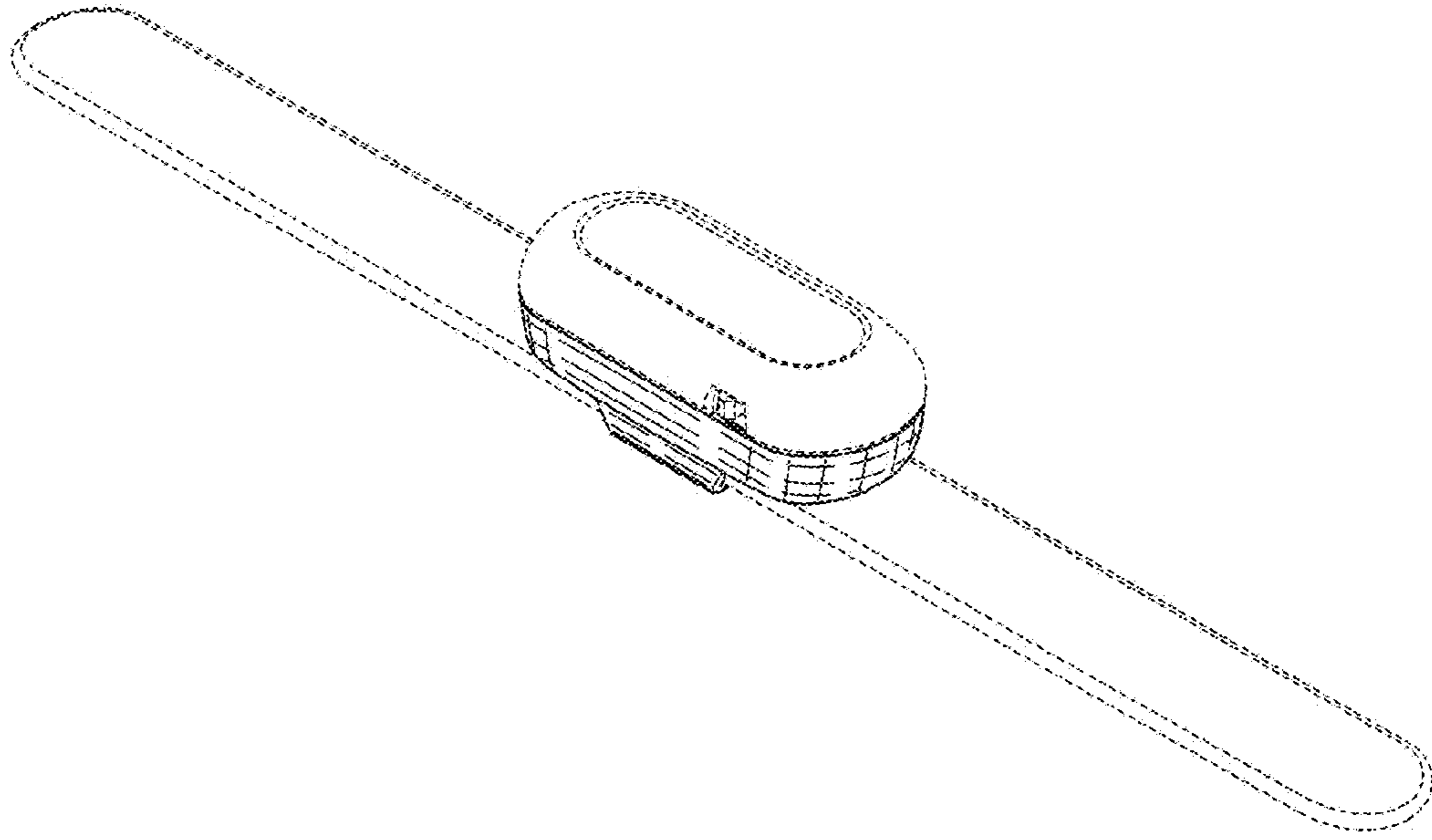


FIG. 10