



US00D753326S

(12) **United States Design Patent**  
**Wilson**

(10) **Patent No.:** **US D753,326 S**

(45) **Date of Patent:** **\*\* Apr. 5, 2016**

(54) **TRAILER LIGHTING SYSTEM**

(71) Applicant: **Teri Wilson**, Stoughton, WI (US)

(72) Inventor: **Teri Wilson**, Stoughton, WI (US)

(\*\*) Term: **14 Years**

(21) Appl. No.: **29/510,461**

(22) Filed: **Nov. 28, 2014**

(51) **LOC (10) Cl.** ..... **26-04**

(52) **U.S. Cl.**  
USPC ..... **D26/31**

(58) **Field of Classification Search**  
USPC ..... D26/28-36; 362/459-468, 475-478,  
362/485-487  
CPC ..... F21S 48/00; F21S 48/10; F21S 48/115;  
F21S 48/225; F21S 48/1233; F21S 48/1266;  
F21S 48/1388; F21S 48/2268; F21V 21/04  
See application file for complete search history.

(56) **References Cited**

U.S. PATENT DOCUMENTS

|              |         |              |       |        |
|--------------|---------|--------------|-------|--------|
| D483,505 S * | 12/2003 | Schwerdtmann | ..... | D26/28 |
| D499,198 S * | 11/2004 | Cowan        | ..... | D26/31 |
| D524,467 S * | 7/2006  | Branstetter  | ..... | D26/31 |
| D541,450 S * | 4/2007  | Cheng        | ..... | D26/31 |

\* cited by examiner

*Primary Examiner* — Marcus Jackson

(74) *Attorney, Agent, or Firm* — Gulf Coast Intellectual Property Group

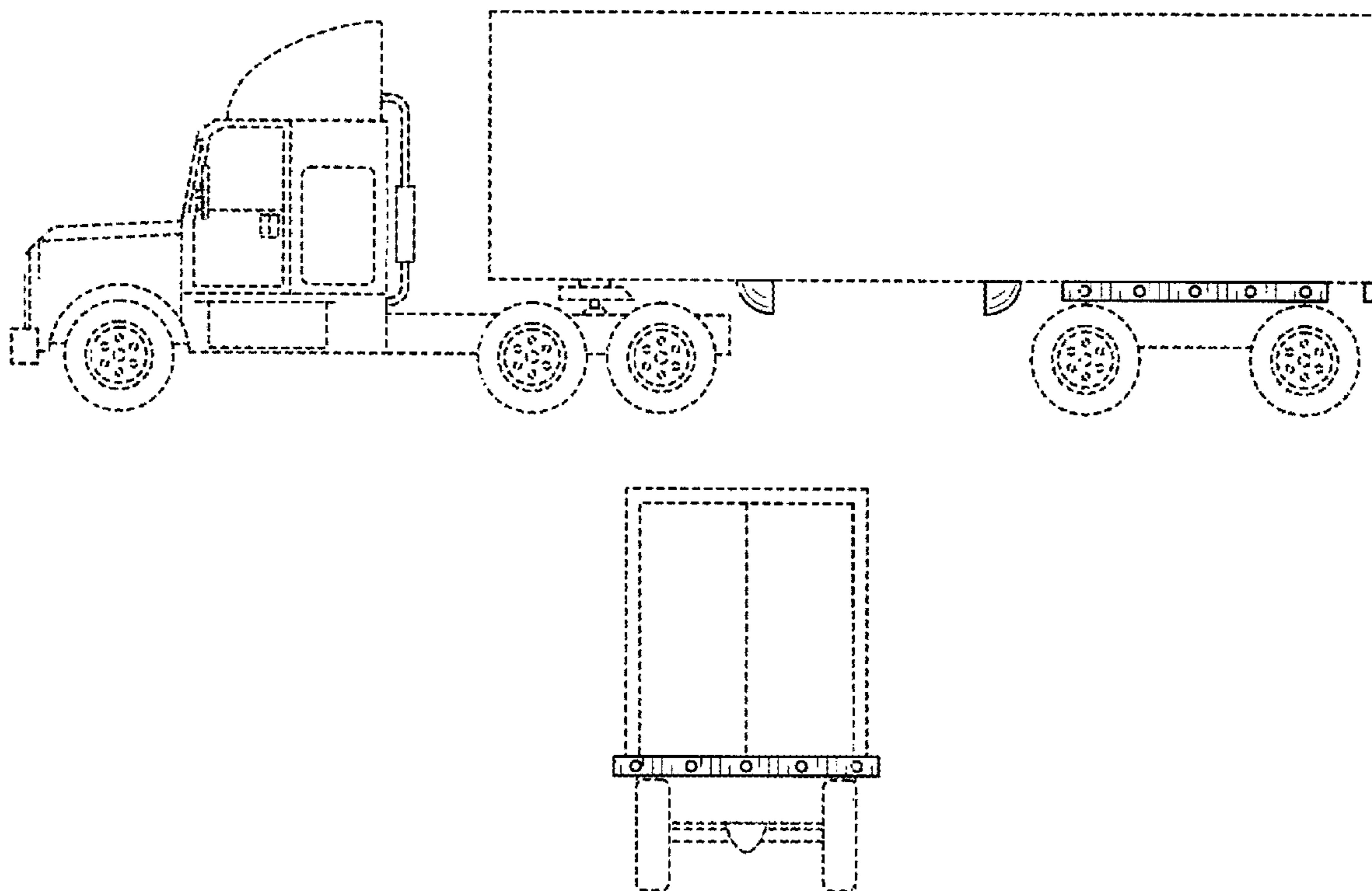
(57) **CLAIM**

The ornamental design for the trailer lighting system, as shown and described.

**DESCRIPTION**

FIG. 1 is a left side view of the present invention; and FIG. 2 is a rear view of the present invention; and FIG. 3 is a right side view of the present invention; and, FIG. 4 is a bottom view of the present invention. Wherein the dotted lines herein illustrate environment and do not form any part of the claimed design.

**1 Claim, 2 Drawing Sheets**



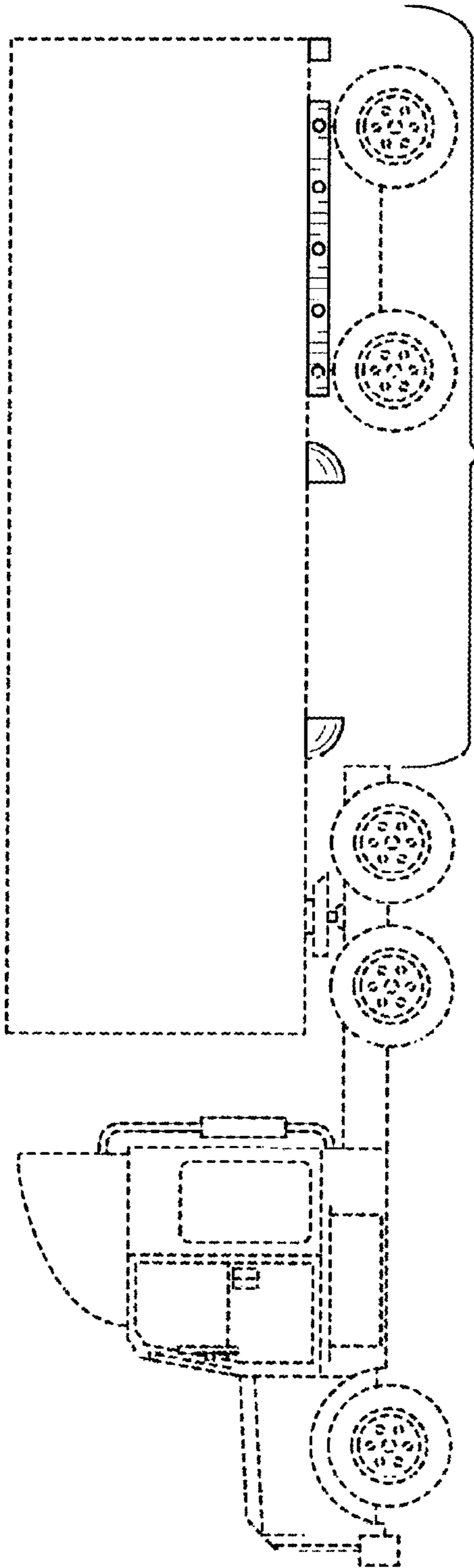


FIG. 1

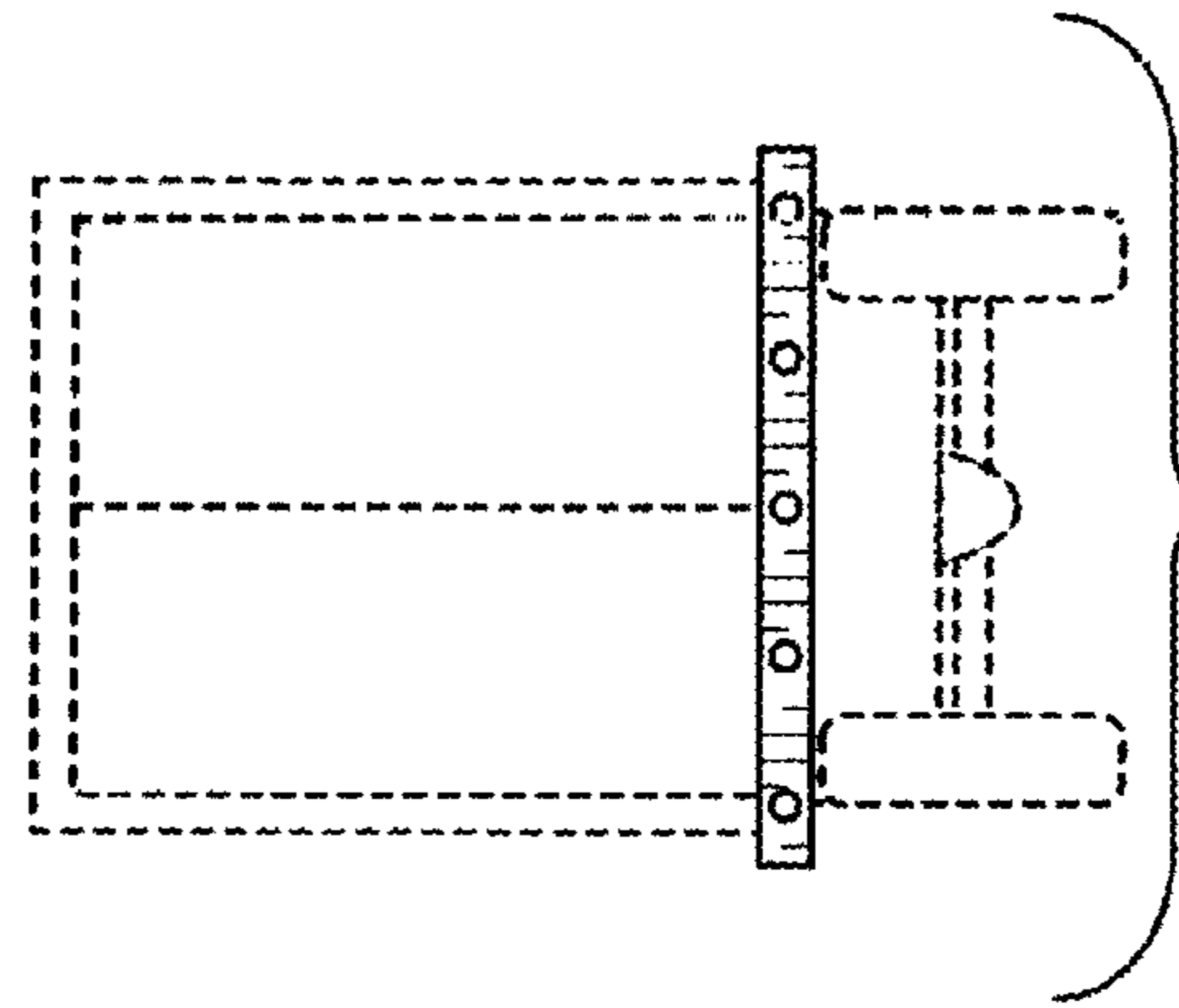


FIG. 2

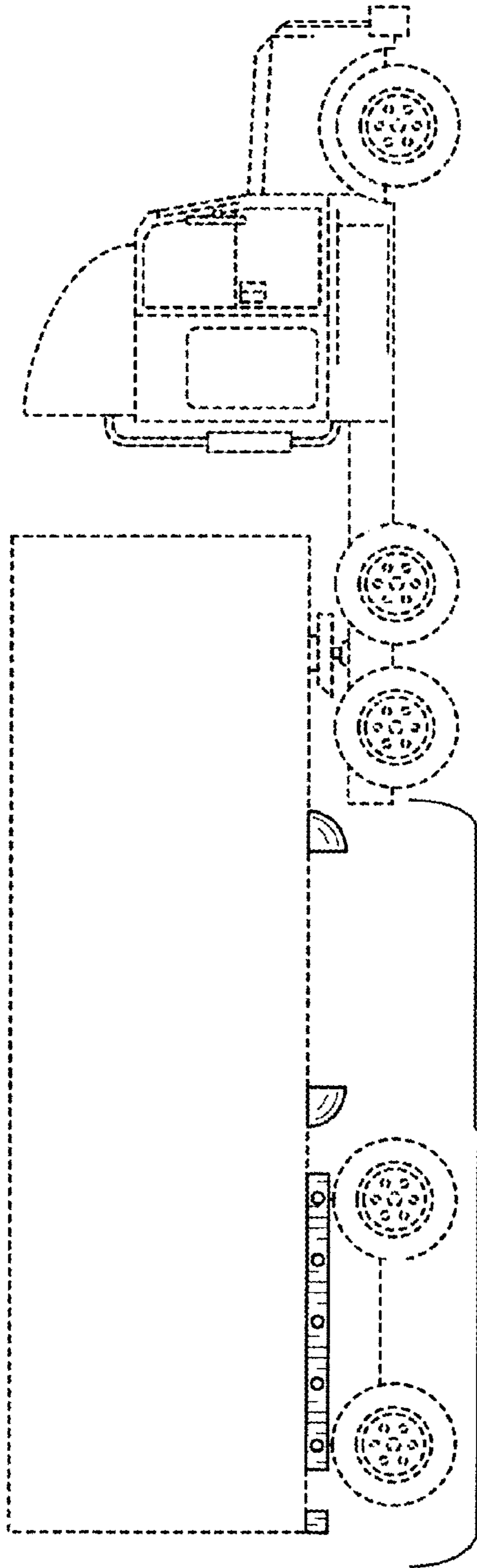


FIG. 3

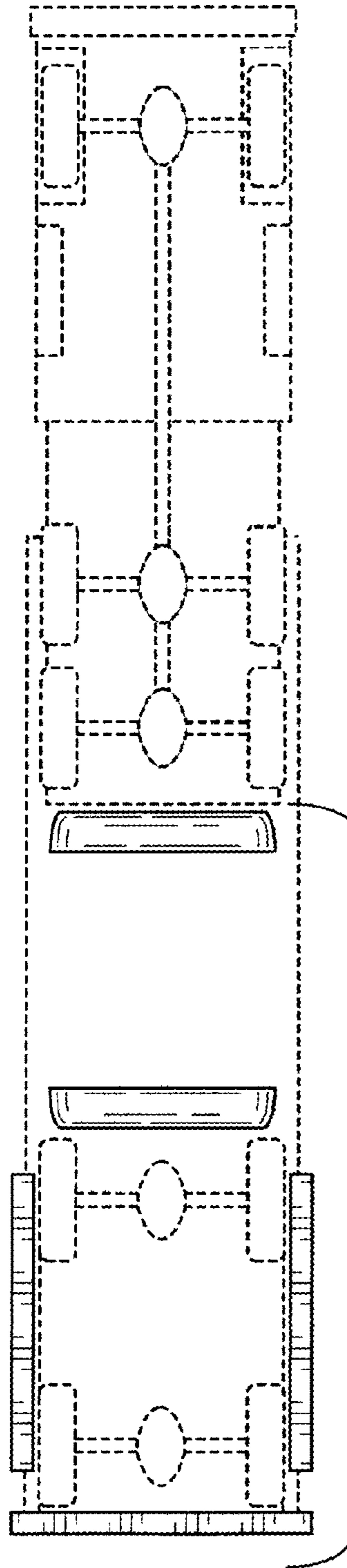


FIG. 4