



US00D753325S

(12) **United States Design Patent**
Diephuis et al.

(10) **Patent No.:** **US D753,325 S**

(45) **Date of Patent:** **** Apr. 5, 2016**

(54) **VEHICLE HEADLAMPS**

(71) Applicant: **Ford Motor Company**, Dearborn, MI (US)

(72) Inventors: **Jesse R. Diephuis**, West Bloomfield, MI (US); **David C. Mahoney**, Orchard Lake, MI (US); **Christopher Hamilton**, Cold Norton (GB)

(73) Assignee: **Ford Motor Company**, Dearborn, MI (US)

(**) Term: **14 Years**

(21) Appl. No.: **29/491,444**

(22) Filed: **May 21, 2014**

(51) **LOC (10) Cl.** **26-06**

(52) **U.S. Cl.**
USPC **D26/28**

(58) **Field of Classification Search**
USPC D26/28-36, 113, 118, 121, 138-140;
362/362, 364-366, 368-373, 459-463,
362/473-478, 485-487, 538, 539, 546-549
CPC B62J 6/02; B62J 6/04; B60Q 1/0047;
B60Q 1/18; B60Q 1/2696; B60Q 1/46;
F21S 48/1233; F21S 48/10; F21S 48/335;
F21S 48/00; F21S 48/1258
See application file for complete search history.

(56) **References Cited**

U.S. PATENT DOCUMENTS

D671,248 S * 11/2012 Fuchigami et al. D26/28

D672,482 S * 12/2012 Lee et al. D26/28
D688,824 S * 8/2013 Binder et al. D26/28
D697,243 S * 1/2014 Kitazumi D26/28
D706,471 S * 6/2014 Lai D26/28
D707,860 S * 6/2014 Futschik et al. D26/28
D709,223 S * 7/2014 Lai D26/28
D721,840 S * 1/2015 Futschik et al. D26/28
D728,134 S * 4/2015 Bieling et al. D26/28

* cited by examiner

Primary Examiner — Cynthia Ramirez

Assistant Examiner — Llorellys Martinez-Rivera

(74) *Attorney, Agent, or Firm* — LeClairRyan

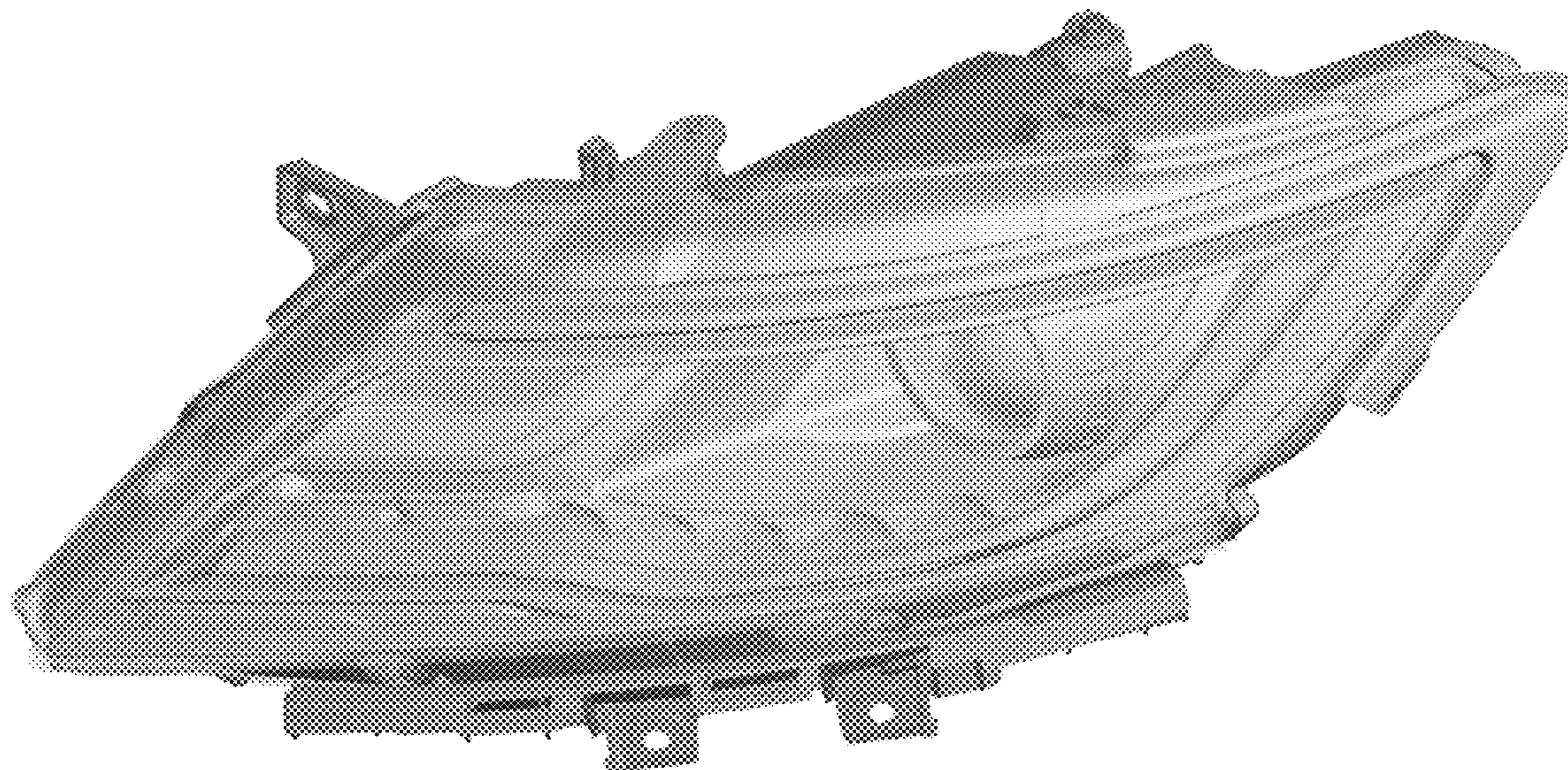
(57) **CLAIM**

The ornamental design for vehicle headlamps, as shown and described.

DESCRIPTION

FIG. 1 is a left side perspective view of a vehicle headlamp showing our new design;
FIG. 2 is another perspective view thereof;
FIG. 3 is a front elevational view thereof;
FIG. 4 is a left side elevational view thereof;
FIG. 5 is a right side elevational view thereof;
FIG. 6 is a top plan view thereof; and,
FIG. 7 is a bottom plan view thereof.
FIGS. 1-7 represent a first embodiment of the disclosed invention. A second embodiment of the disclosed invention is a mirror image of the first embodiment illustrated in FIGS. 1-7.

1 Claim, 7 Drawing Sheets



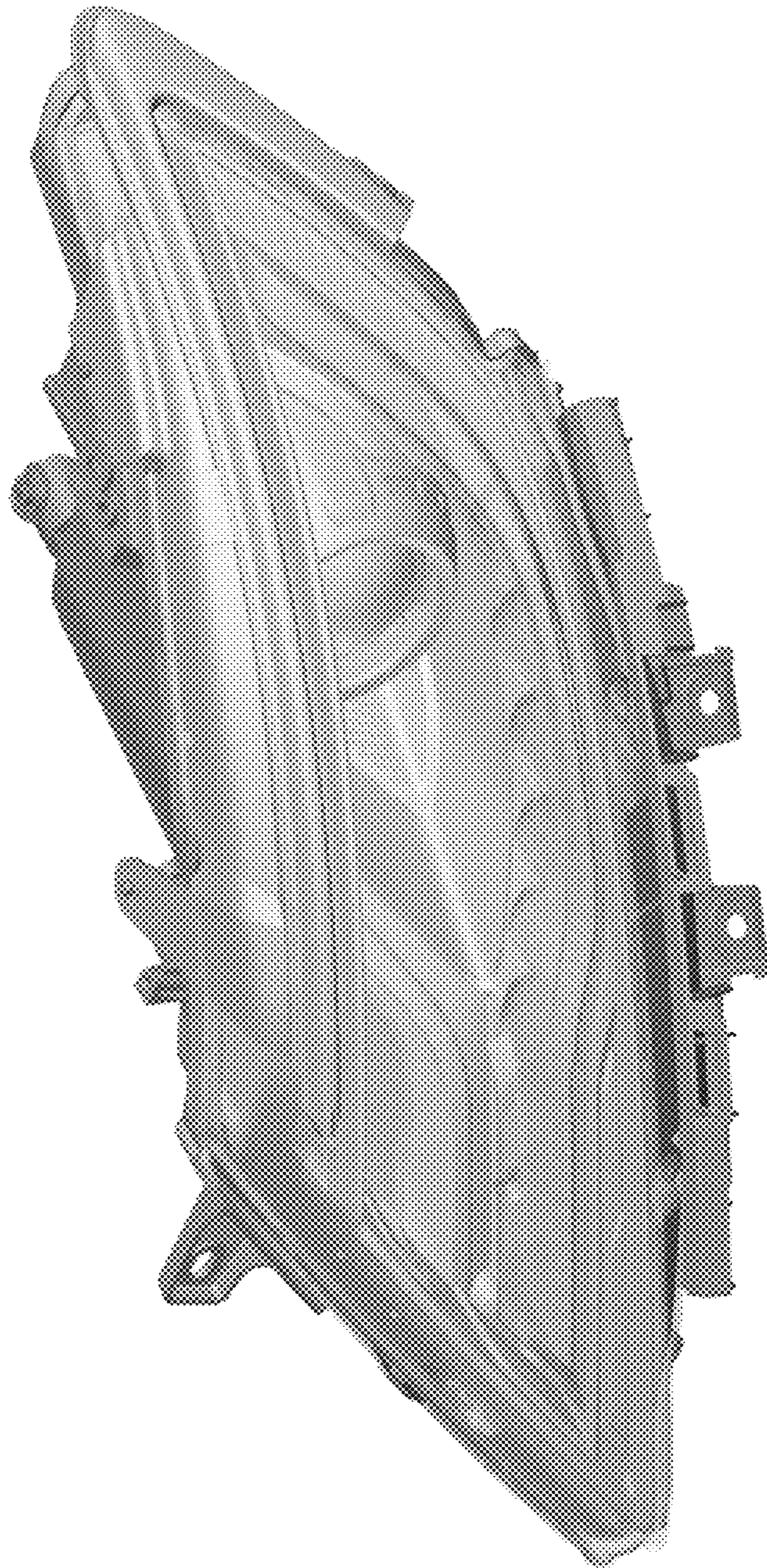


Figure 1

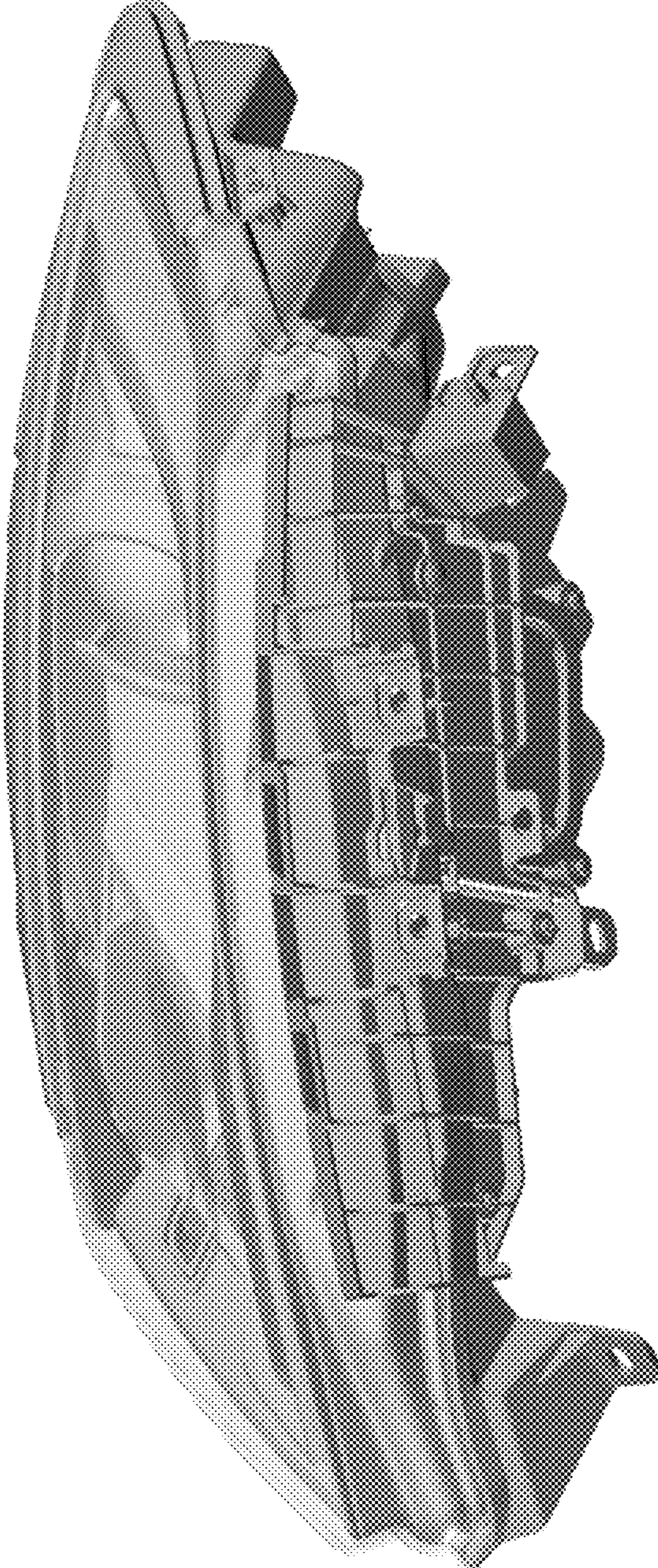


Figure 2

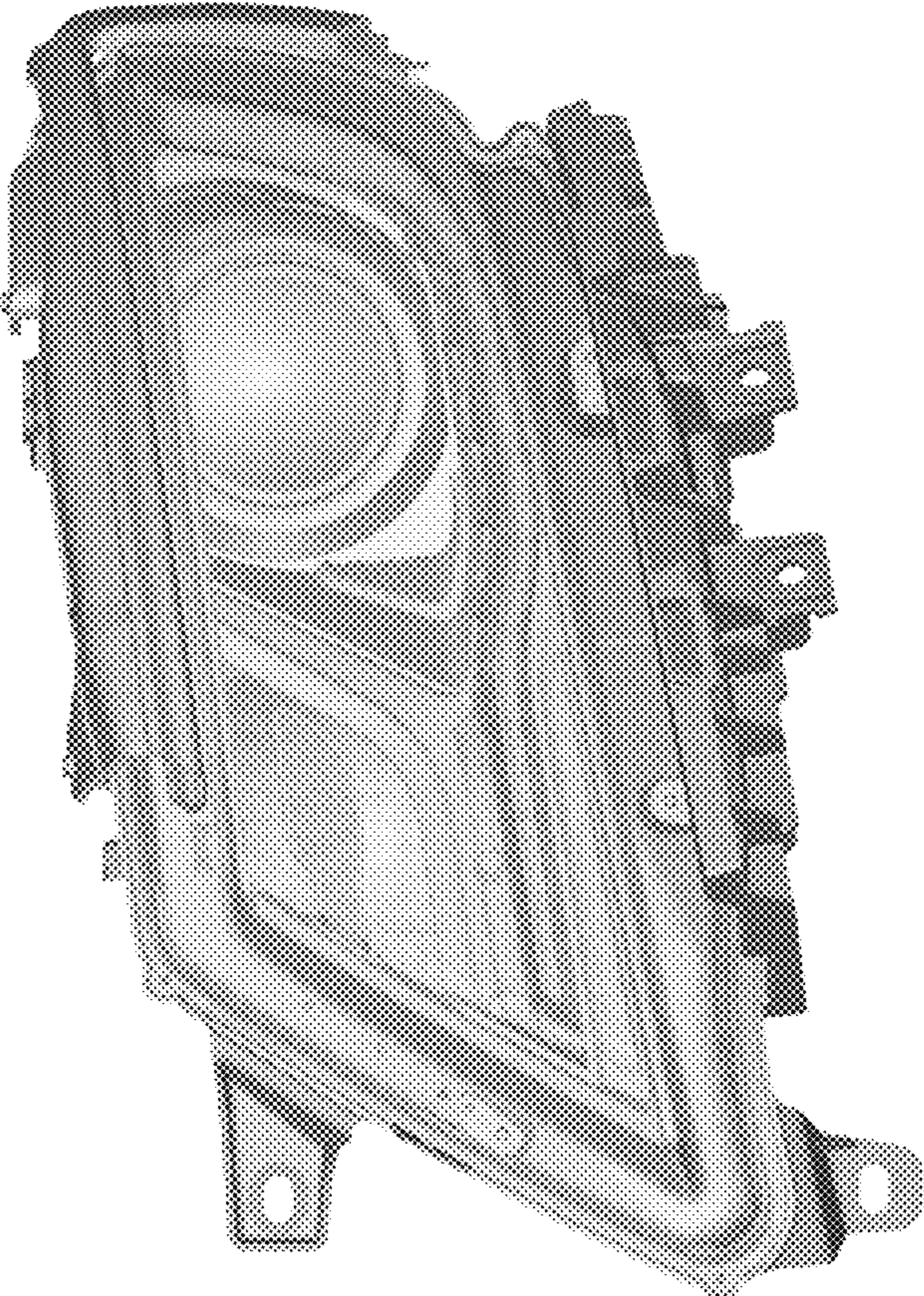


Figure 3

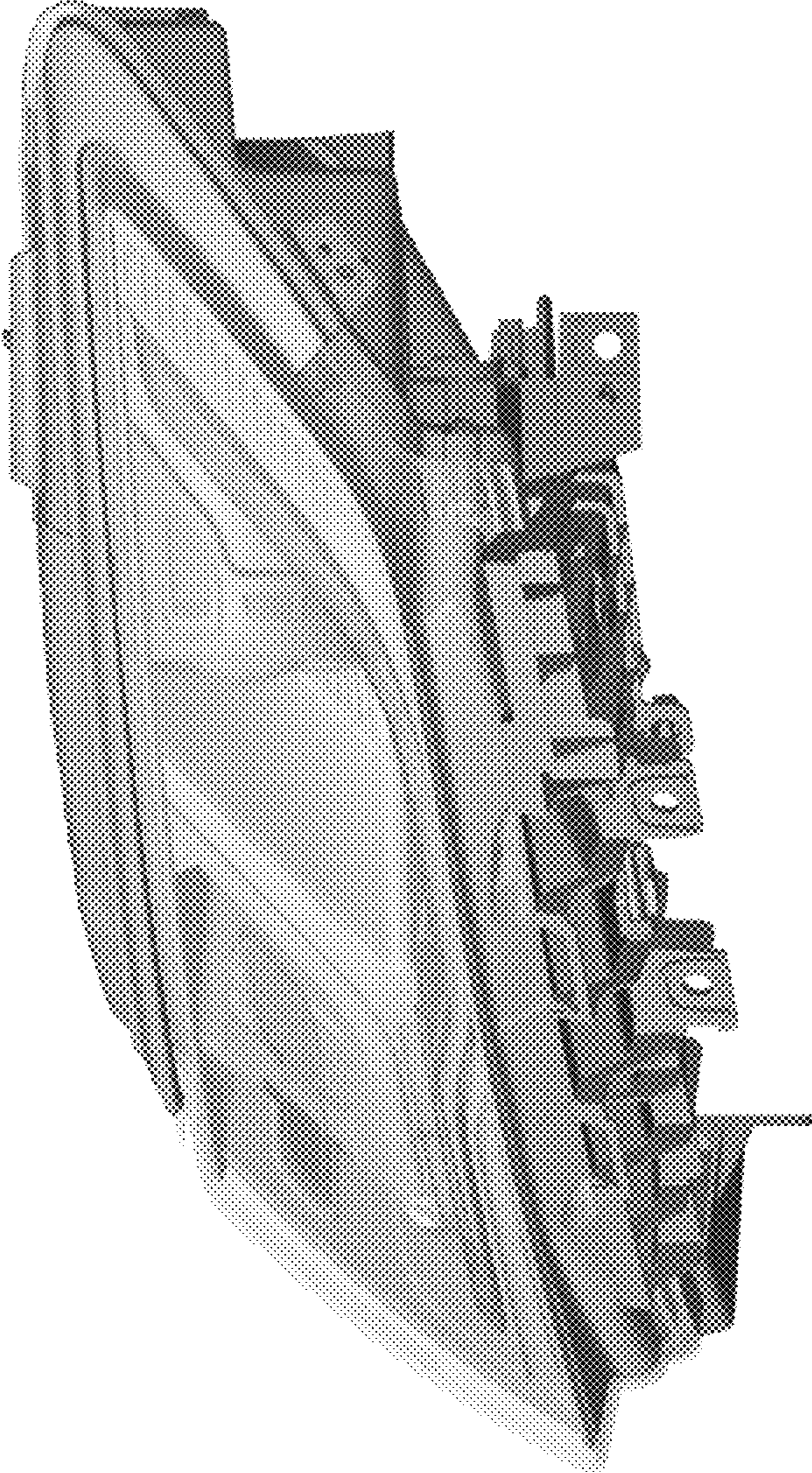


Figure 4

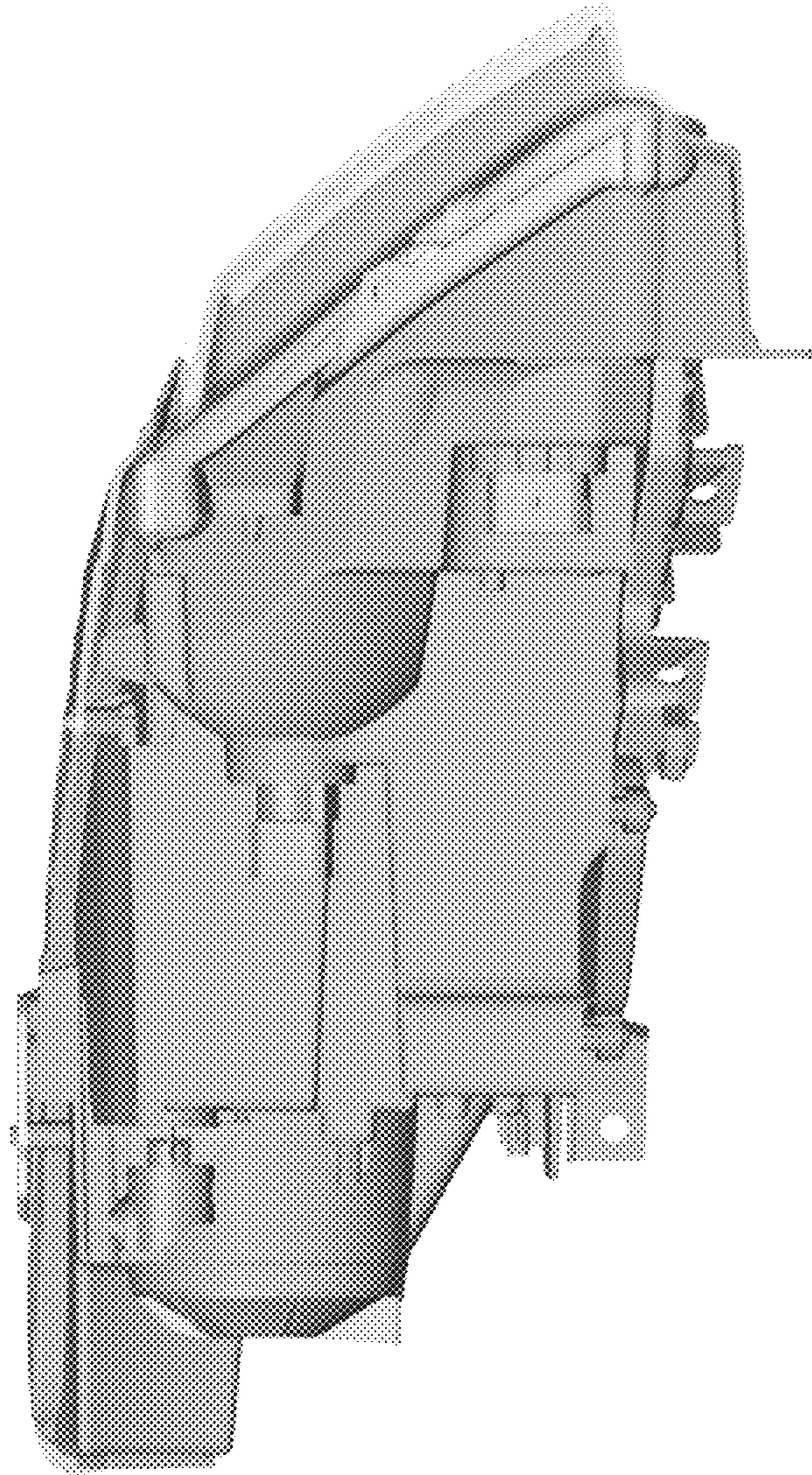


Figure 5

Figure 6

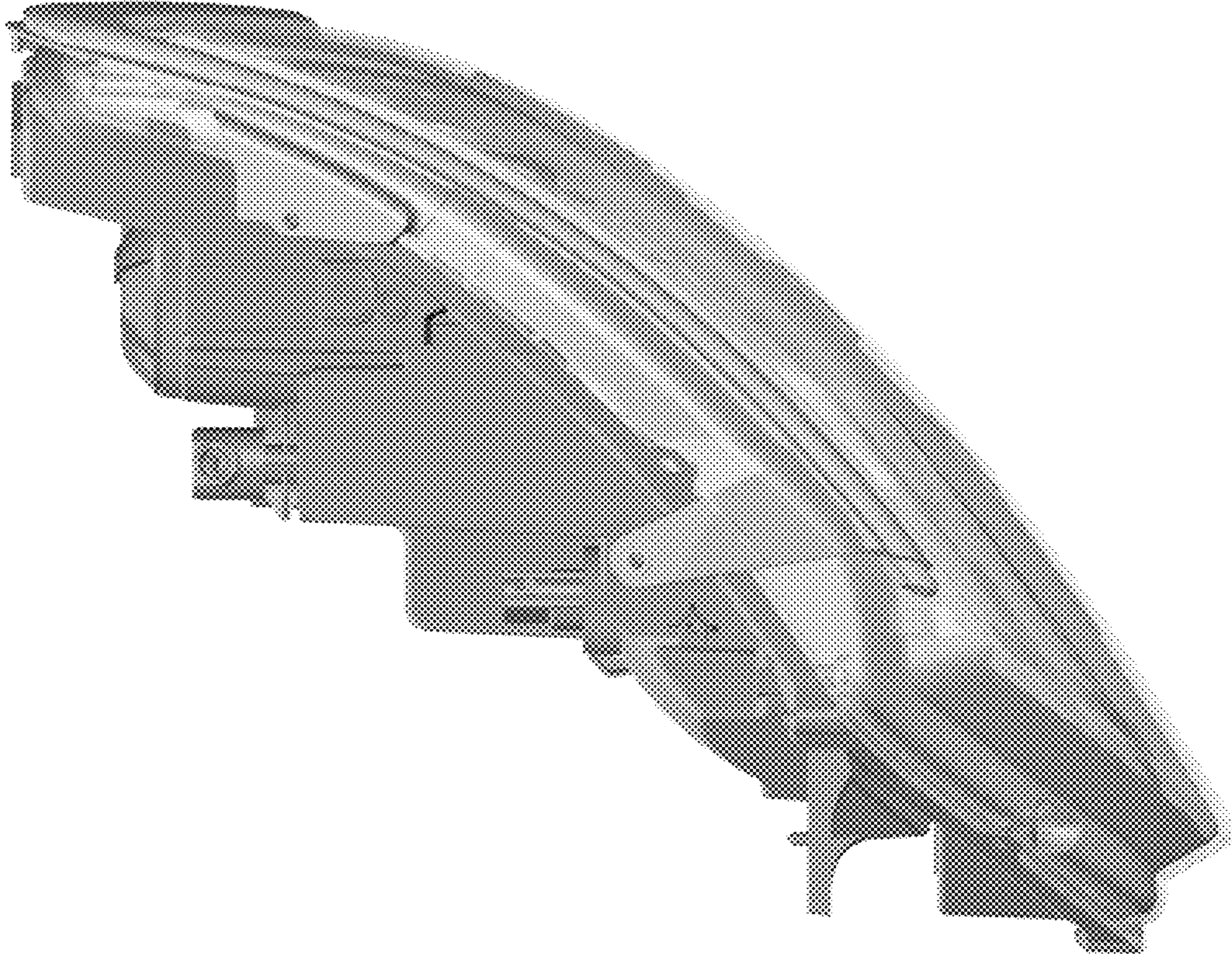


Figure 7

