

US00D753322S

(12) **United States Design Patent**  
**Taylor**

(10) **Patent No.:** **US D753,322 S**

(45) **Date of Patent:** **\*\* Apr. 5, 2016**

(54) **LED LAMP**

(71) Applicant: **TADD, LLC**, Cary, IL (US)

(72) Inventor: **Timothy Taylor**, Barrington, IL (US)

(73) Assignee: **TADD, LLC**, Cary, IL (US)

(\*\*) Term: **14 Years**

(21) Appl. No.: **29/518,880**

(22) Filed: **Feb. 27, 2015**

(51) **LOC (10) Cl.** ..... **26-04**

(52) **U.S. Cl.**  
USPC ..... **D26/2**

(58) **Field of Classification Search**  
USPC ..... D26/1-4; 313/313, 315, 316, 317, 318,  
313/493; 315/32, 52, 53, 56, 57, 58;  
362/373, 294, 249.02

CPC ..... F21V 29/83; F21K 9/00  
See application file for complete search history.

(56) **References Cited**

**U.S. PATENT DOCUMENTS**

D574,091 S \* 7/2008 Sun ..... D26/2  
7,434,964 B1 \* 10/2008 Zheng ..... F21V 29/83  
362/218

D631,567 S \* 1/2011 Lodhie ..... D26/2  
D668,367 S \* 10/2012 Sakamoto ..... D26/2  
D669,200 S \* 10/2012 Chen ..... D26/2  
D735,903 S \* 8/2015 Li ..... D26/2  
D739,967 S \* 9/2015 Qin ..... D26/2  
D739,968 S \* 9/2015 Qin ..... D26/2  
D739,969 S \* 9/2015 Qin ..... D26/2  
2008/0316755 A1 \* 12/2008 Zheng ..... F21V 29/004  
362/373

\* cited by examiner

*Primary Examiner* — Ian Simmons

*Assistant Examiner* — Harold Blackwell, II

(74) *Attorney, Agent, or Firm* — Clark Hill PLC; James R. Foley

(57) **CLAIM**

The ornamental design for an LED lamp, as shown and described.

**DESCRIPTION**

FIG. 1 is a perspective view of the LED lamp;  
FIG. 2 is a side view thereof;  
FIG. 3 is a top view thereof; and,  
FIG. 4 is a bottom view thereof.

**1 Claim, 3 Drawing Sheets**

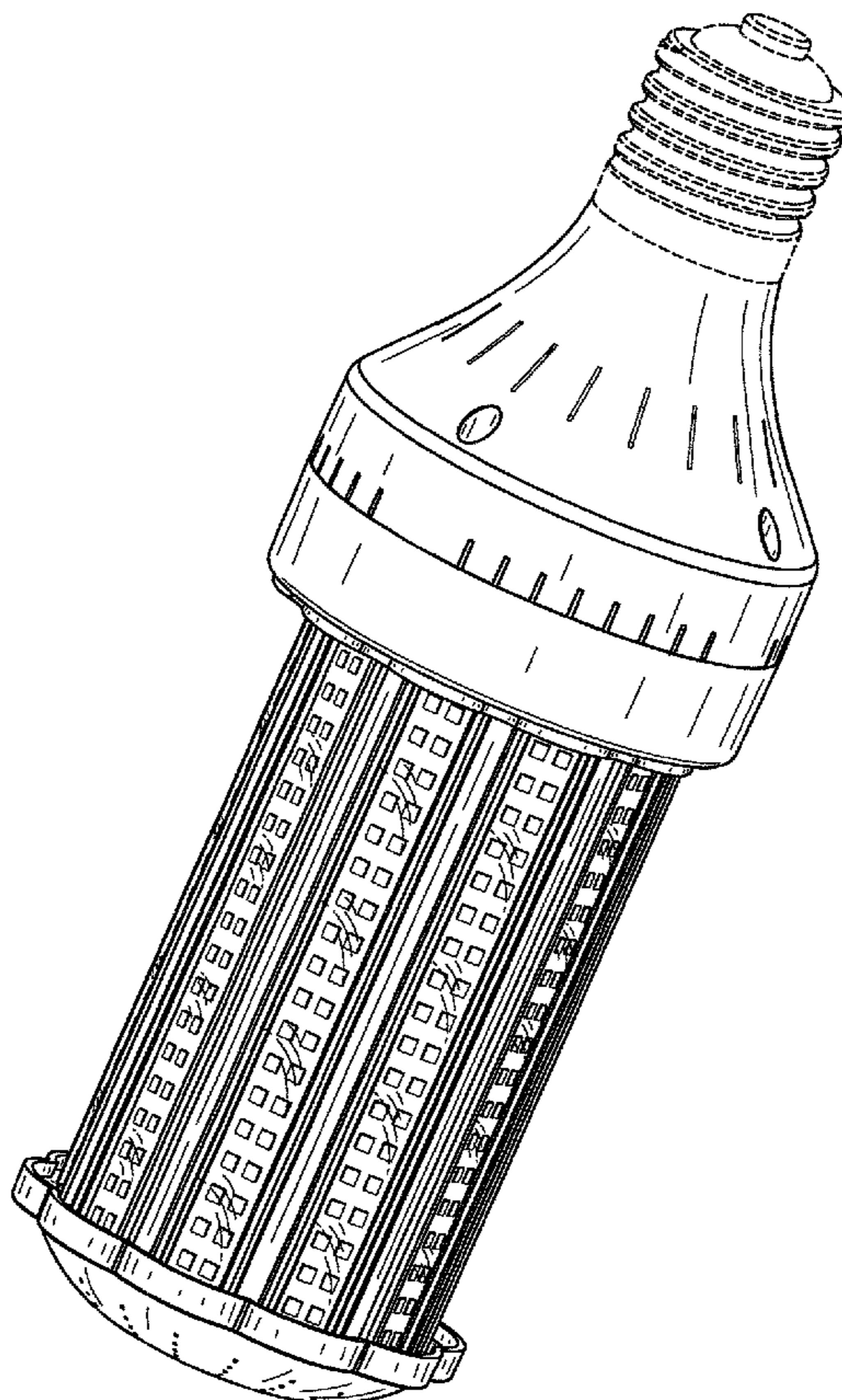


FIG. 1

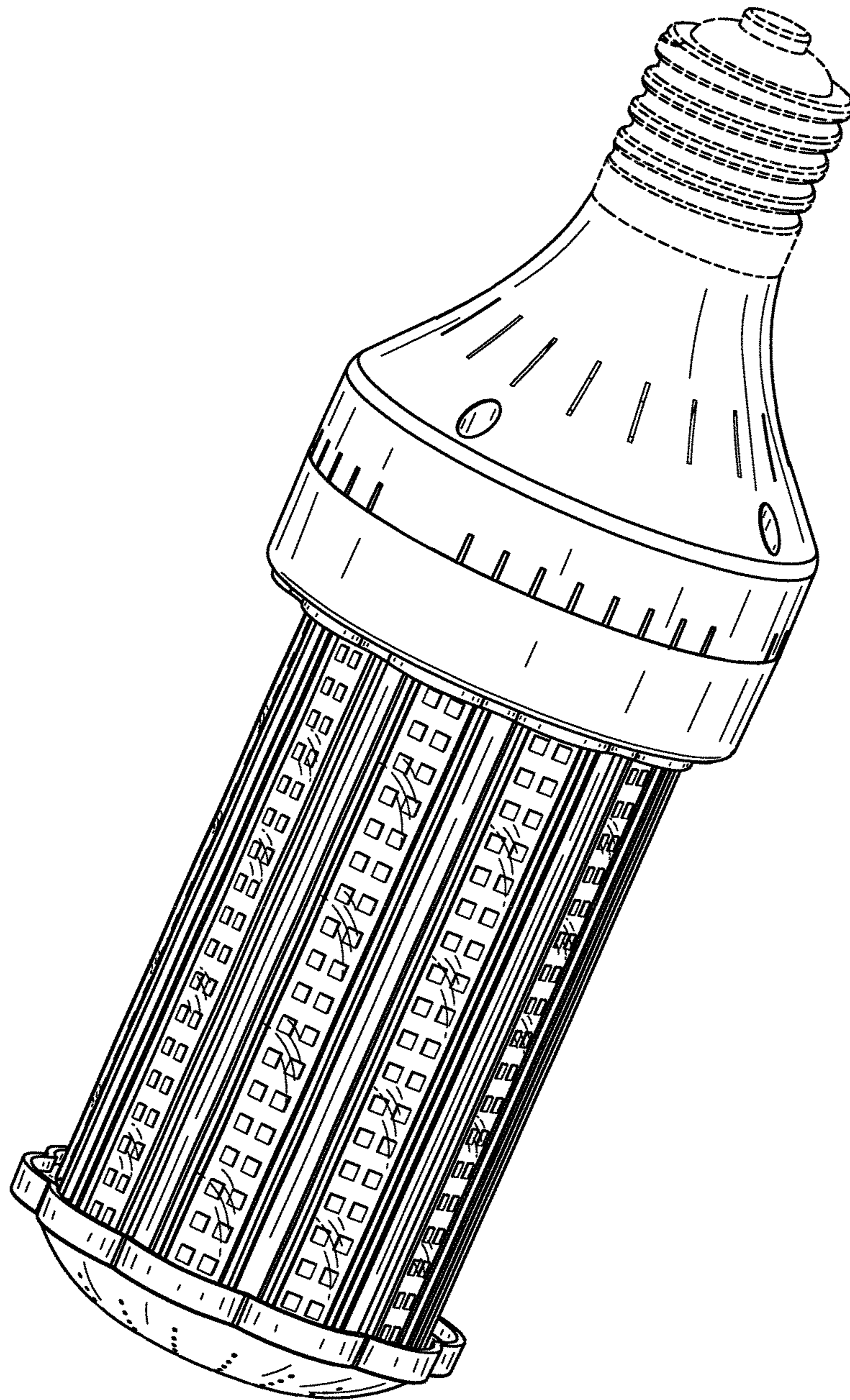


FIG. 2

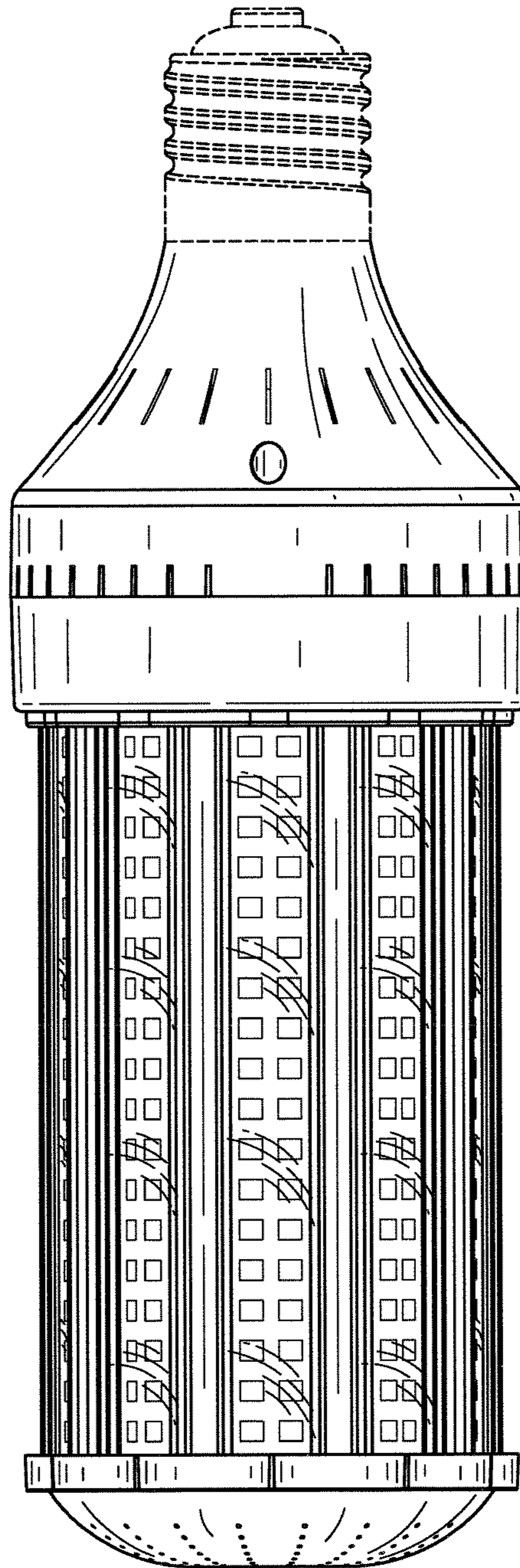


FIG. 3

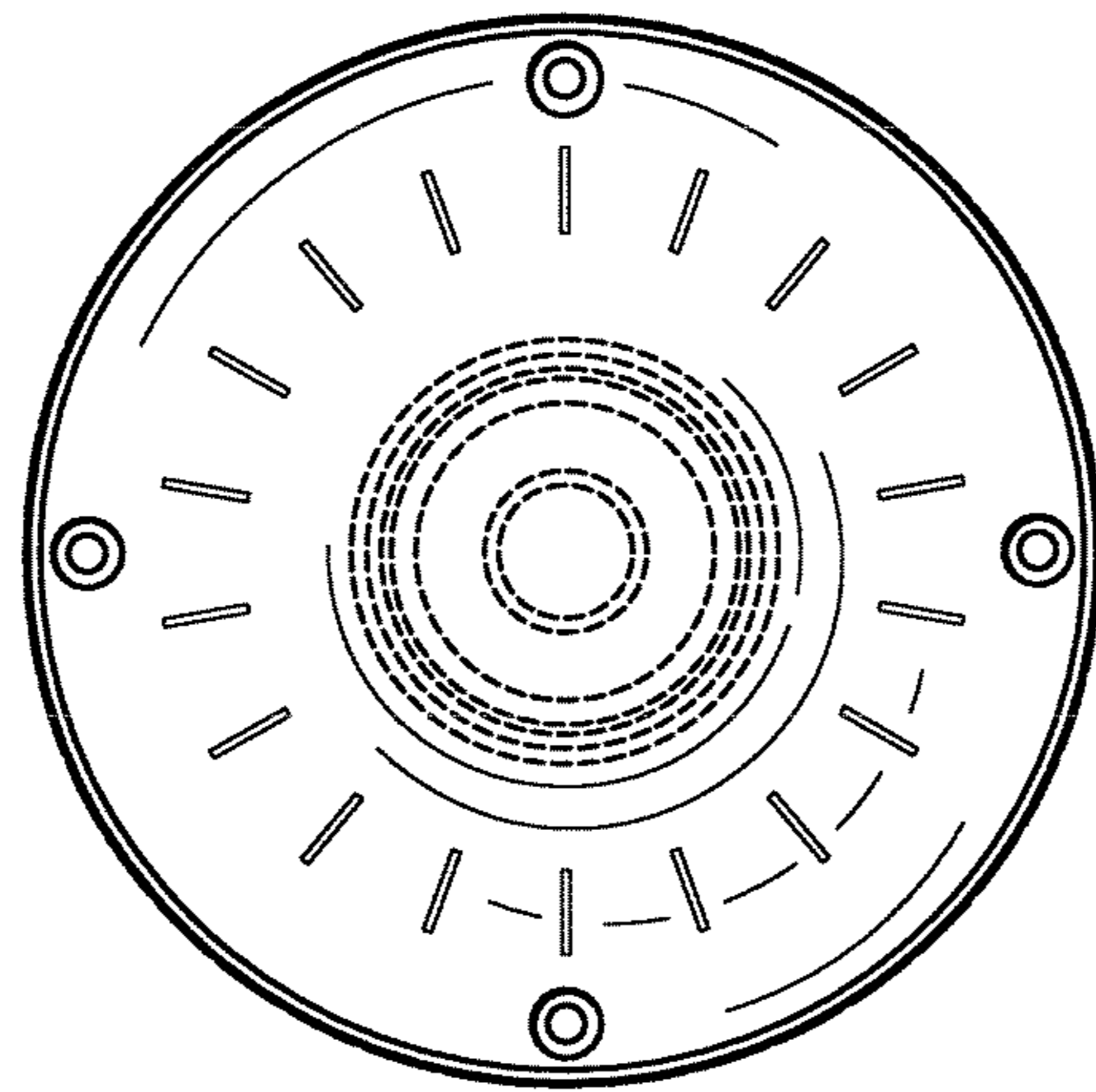


FIG. 4

