



US00D753321S

(12) **United States Design Patent**  
**Wang et al.**

(10) **Patent No.:** **US D753,321 S**  
(45) **Date of Patent:** **\*\* Apr. 5, 2016**

(54) **PORTION OF A LIGHT BULB**

D422,099 S \* 3/2000 Kracke ..... D26/2  
D549,360 S \* 8/2007 An ..... D26/2  
D550,864 S \* 9/2007 Hernandez, Jr. .... D26/2  
D689,215 S \* 9/2013 Xue ..... D26/2

(71) Applicant: **Formosa Epitaxy Incorporation**,  
Taoyuan County (TW)

FOREIGN PATENT DOCUMENTS

(72) Inventors: **Tzu-Hsiang Wang**, Taoyuan County  
(TW); **Chi-Chih Pu**, Taoyuan County  
(TW); **Chen-Hong Lee**, Taoyuan County  
(TW)

TW D101637 12/2004  
TW D140990 6/2011  
TW D154960 7/2013

(73) Assignee: **Formosa Epitaxy Incorporation**,  
Taoyuan (TW)

OTHER PUBLICATIONS

“Office Action of Taiwan Counterpart Application”, issued on Mar. 12, 2015, p. 1-p. 4, in which the listed references were cited.

(\*\*) Term: **14 Years**

\* cited by examiner

(21) Appl. No.: **29/507,825**

*Primary Examiner* — Marcus Jackson

(22) Filed: **Oct. 31, 2014**

(74) *Attorney, Agent, or Firm* — Jianq Chyun IP Office

(30) **Foreign Application Priority Data**

(57) **CLAIM**

Aug. 7, 2014 (TW) ..... 103304635

The ornamental design for a portion of a light bulb, as shown and described.

(51) **LOC (10) Cl.** ..... **26-06**

**DESCRIPTION**

(52) **U.S. Cl.**  
USPC ..... **D26/2**

(58) **Field of Classification Search**  
USPC ..... D26/1-4; 313/313, 315, 316, 317, 318,  
313/493; 315/52, 53, 56, 57, 58  
CPC ..... H01J 5/48; H01J 5/50; H01J 19/54;  
F21V 5/00

FIG. 1 is a perspective view of a portion of a light bulb showing an embodiment of my new design; FIG. 2 is a front view of the embodiment; FIG. 3 is a rear view of the embodiment; FIG. 4 is a left side view of the embodiment; FIG. 5 is a right side view of the embodiment; FIG. 6 is a top view of the embodiment; and, FIG. 7 is a bottom view of the embodiment.

See application file for complete search history.

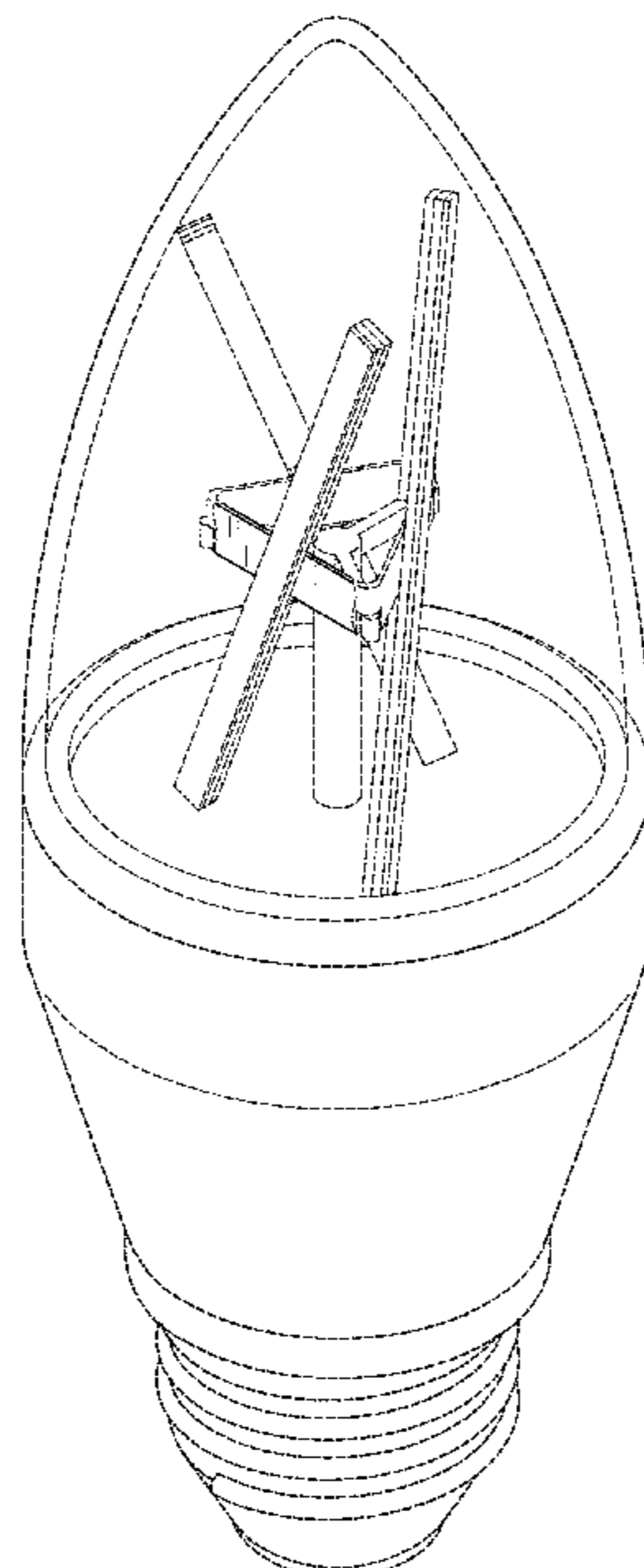
The broken line portions of a portion of a light bulb in FIGS. 1-7 represent unclaimed portions of the design and form no part thereof.

(56) **References Cited**

U.S. PATENT DOCUMENTS

D340,295 S \* 10/1993 Beauchamp ..... D10/116.1  
D410,554 S \* 6/1999 Guyton ..... D26/2

**1 Claim, 6 Drawing Sheets**



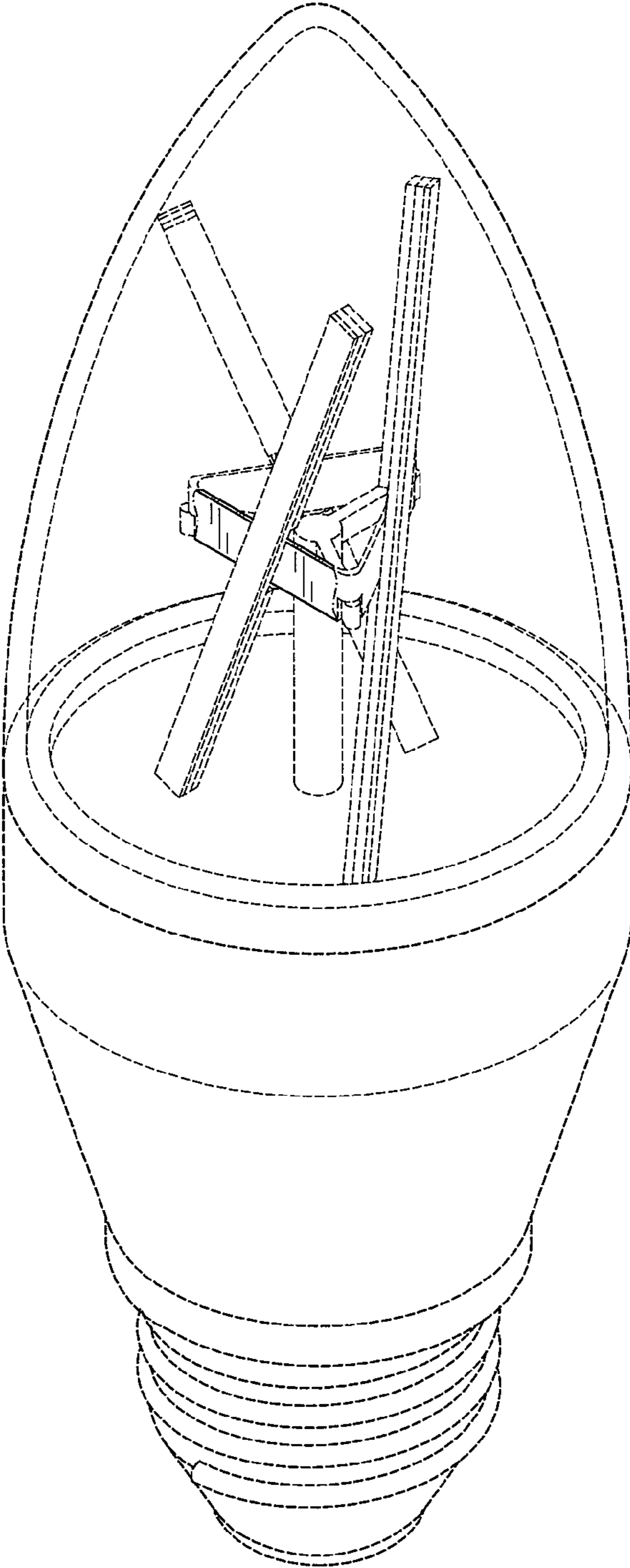


FIG. 1

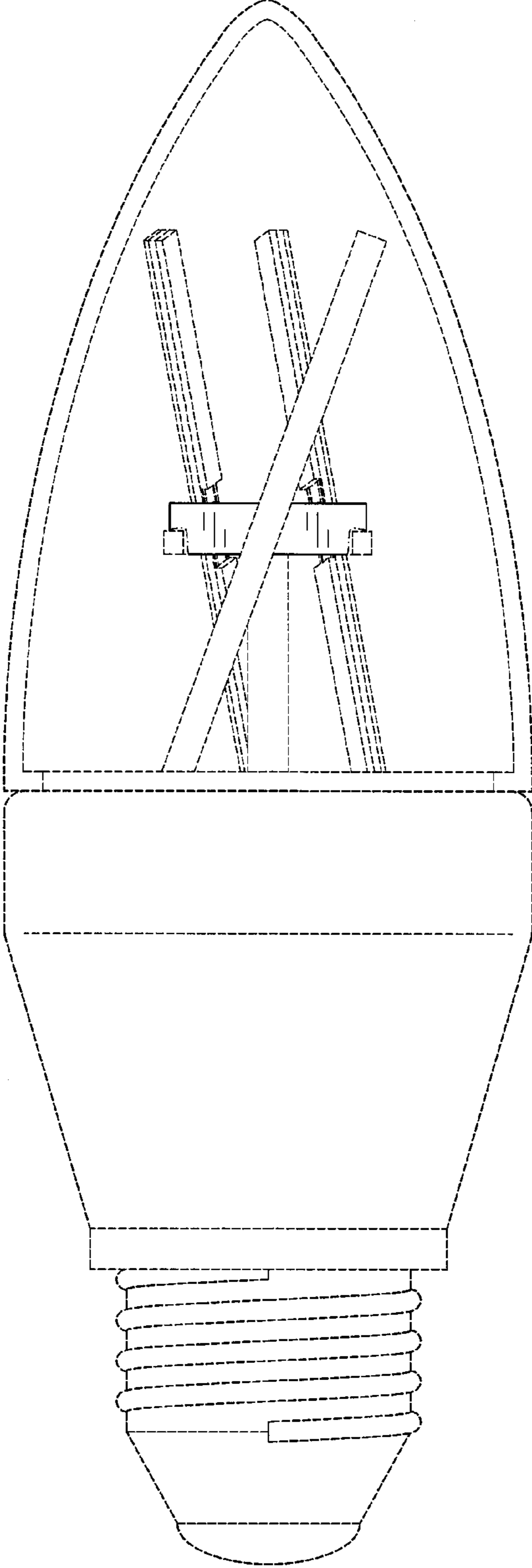


FIG. 2

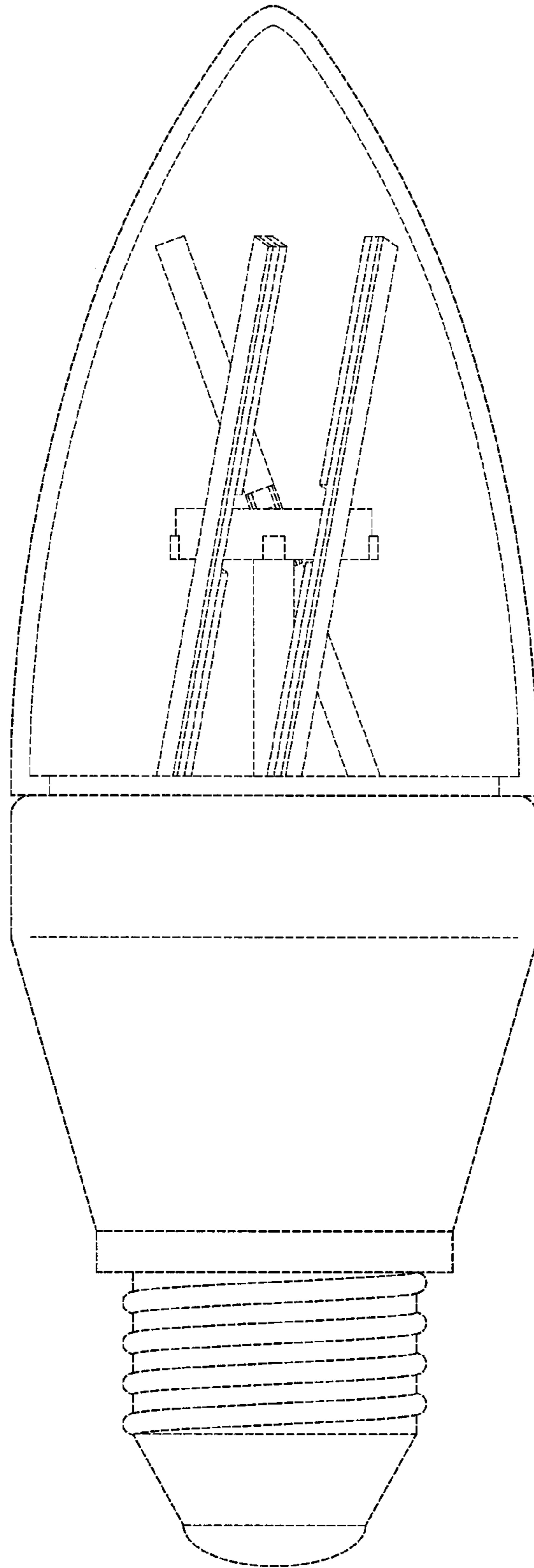


FIG. 3

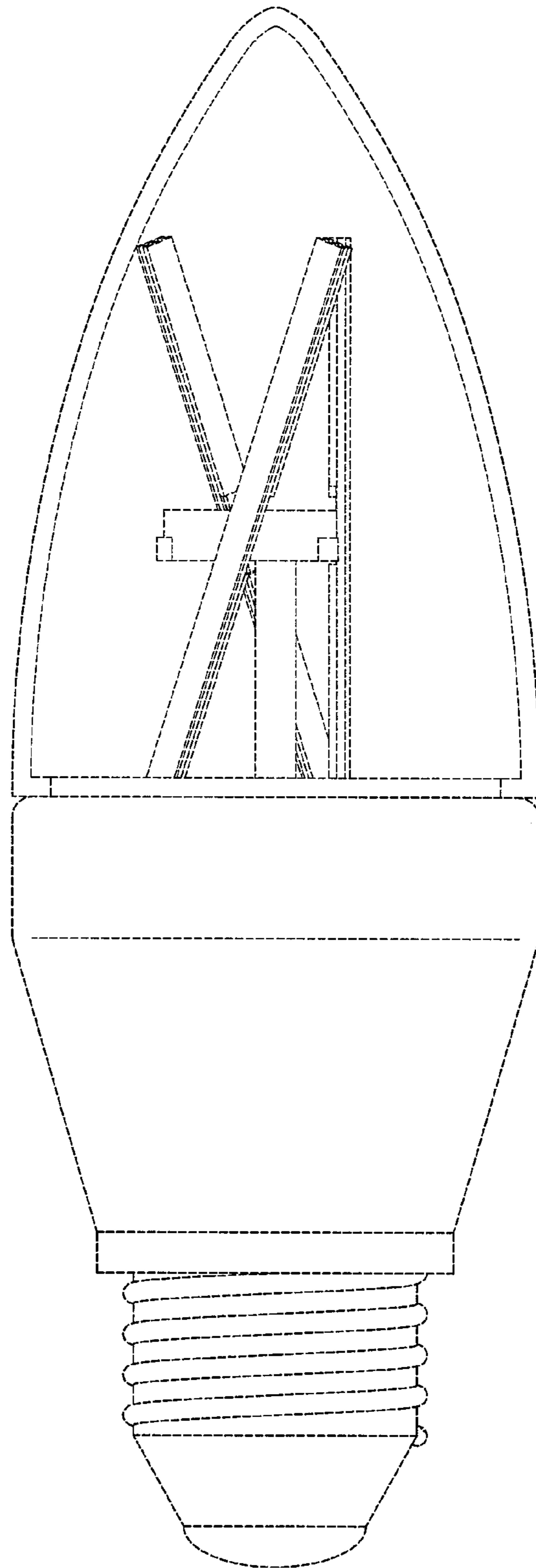


FIG. 4

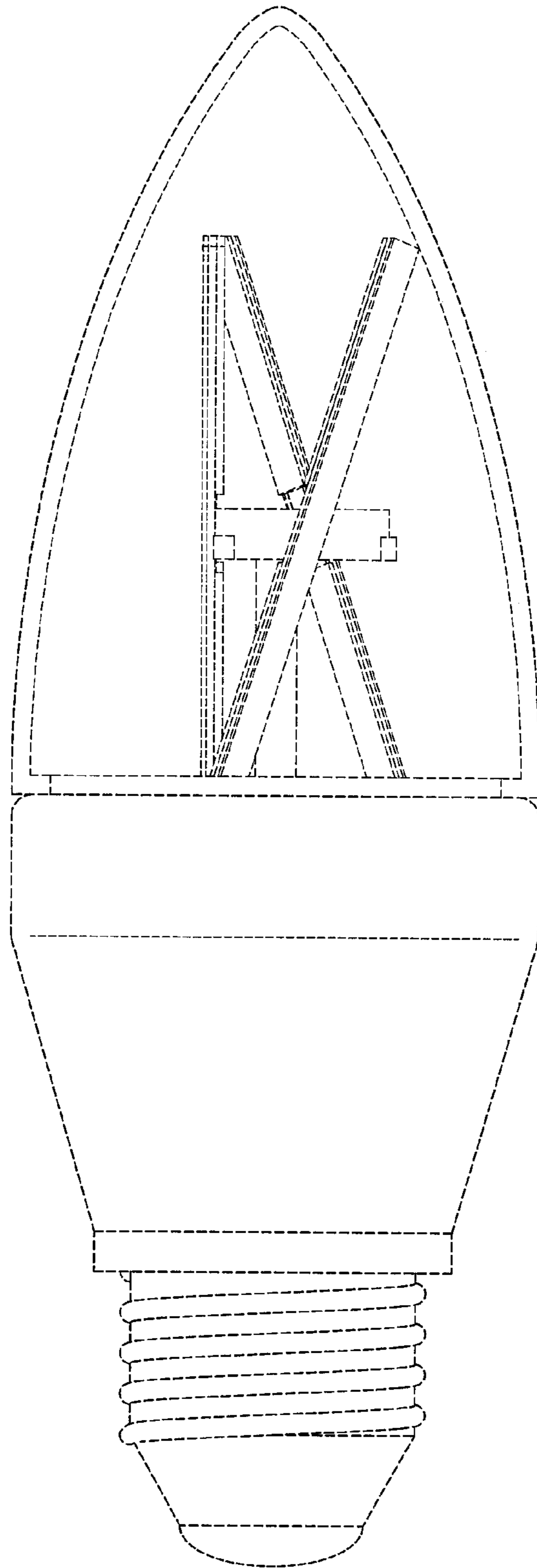


FIG. 5



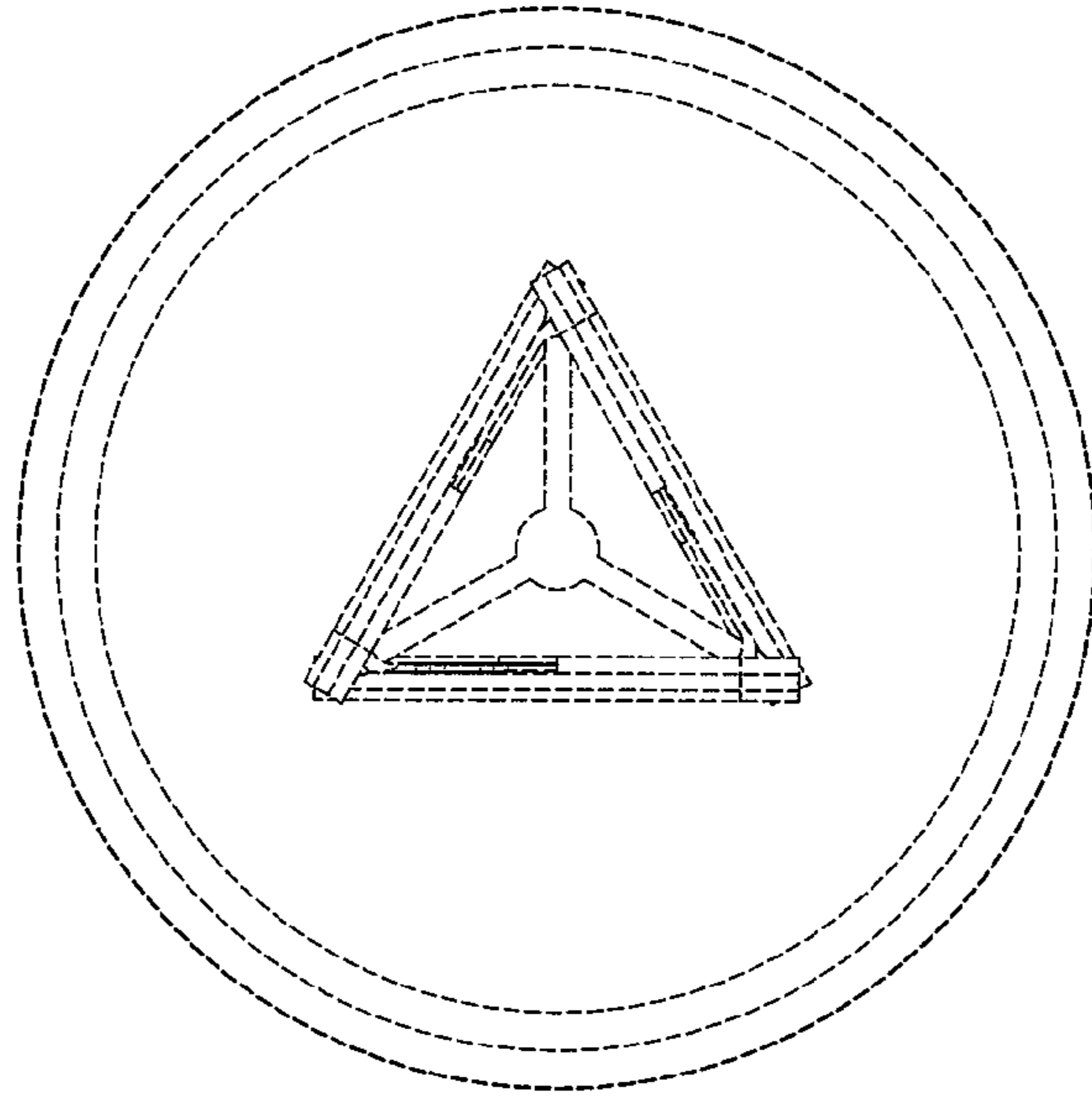


FIG. 6

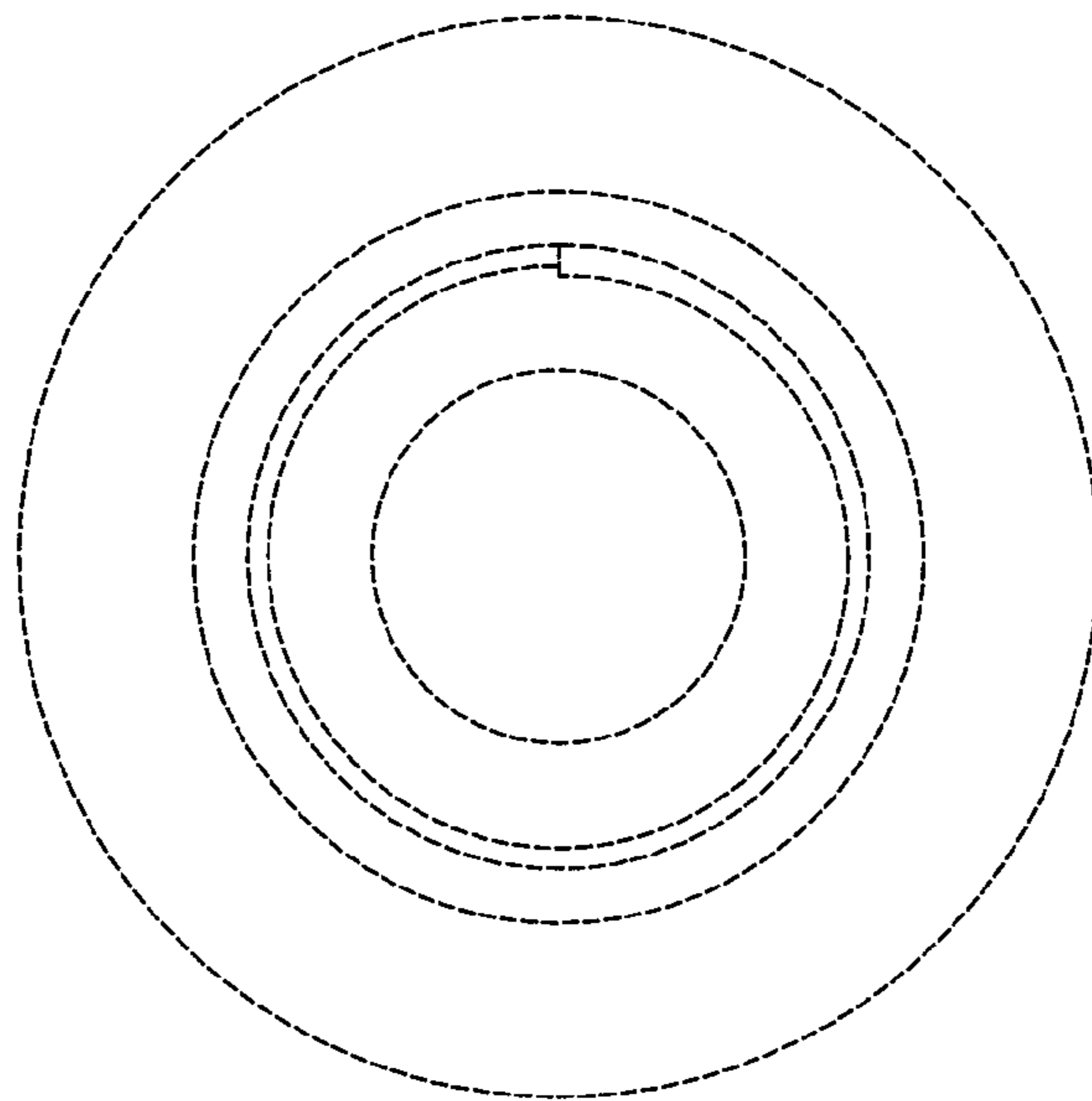


FIG. 7