



US00D753314S

(12) **United States Design Patent**
Stivoric et al.

(10) **Patent No.:** **US D753,314 S**
(45) **Date of Patent:** **** Apr. 5, 2016**

(54) **WEARABLE MONITORING DEVICE**

(71) Applicant: **BodyMedia, Inc.**, Pittsburgh, PA (US)

(72) Inventors: **John M Stivoric**, Pittsburgh, PA (US);
Scott K. Boehmke, Wexford, PA (US)

(73) Assignee: **ALIPHCOM**, San Francisco, CA (US)

(**) Term: **14 Years**

(21) Appl. No.: **29/478,533**

(22) Filed: **Jan. 6, 2014**

(51) **LOC (10) Cl.** **24-01**

(52) **U.S. Cl.**

USPC **D24/187**

(58) **Field of Classification Search**

USPC D24/168, 186-187, 200, 165, 167;
600/301, 544, 546, 554, 372, 382, 384,
600/386-395, 500, 503; 601/21; 602/2;
606/32; 607/45, 46, 115, 139, 142,
607/148, 152; D10/31, 32; D11/2-4;
D14/344; 63/1.13, 21

CPC A61B 5/0002; A61B 5/0408; A61B
5/04085; A61B 5/0404; A61B 5/04082;
A61B 5/6831; A61B 5/04087; A61B 5/0476;
A61B 5/0488; A61B 5/05; A61B 18/1492;
A61B 5/021; A61B 5/02438; A61H 2201/10;
A61F 7/007; A61N 1/3605; A61N 1/36021;
A61N 1/05; A61N 1/0472; A61N 1/046;
A61N 1/0476; A61N 1/0492; A44C 15/0015;
A44C 5/00

See application file for complete search history.

(56) **References Cited**

U.S. PATENT DOCUMENTS

D440,163 S * 4/2001 Callis D10/31
D450,849 S * 11/2001 Rantala D24/165
6,314,058 B1 * 11/2001 Lee 600/503
D452,005 S * 12/2001 Rantala D24/165

D452,006 S * 12/2001 Komulainen D24/167
D508,038 S * 8/2005 Bonadei D10/32
6,982,930 B1 * 1/2006 Hung 600/500
D540,695 S * 4/2007 Leung D10/32
D556,194 S * 11/2007 Rambosek et al. D11/2
D558,198 S * 12/2007 Blankenship et al. D11/2
D564,367 S * 3/2008 Molyneux D10/31
D571,249 S * 6/2008 Frederick et al. D11/4
D597,676 S * 8/2009 Copeland et al. D24/187
D619,256 S * 7/2010 Brady et al. D24/167
D631,552 S * 1/2011 Kasabach et al. D24/186
D639,955 S * 6/2011 Riobo Aboy et al. D24/165

(Continued)

Primary Examiner — T. Chase Nelson

Assistant Examiner — Mark Cavanna

(74) *Attorney, Agent, or Firm* — Kilpatrick Townsend &
Stockton, LLP

(57) **CLAIM**

The ornamental design for a wearable monitoring device, as shown and described.

DESCRIPTION

FIG. 1 is a front perspective view of a wearable monitoring device, showing a first embodiment of our new design;

FIG. 2 is a front view thereof;

FIG. 3 is a back view thereof;

FIG. 4 is a left side view thereof;

FIG. 5 is a right side view thereof;

FIG. 6 is a top elevation view thereof;

FIG. 7 is a bottom elevation view thereof;

FIG. 8 is a front perspective view of a wearable monitoring device, showing a second embodiment of our new design;

FIG. 9 is a front view thereof;

FIG. 10 is a back view thereof;

FIG. 11 is a left side view thereof;

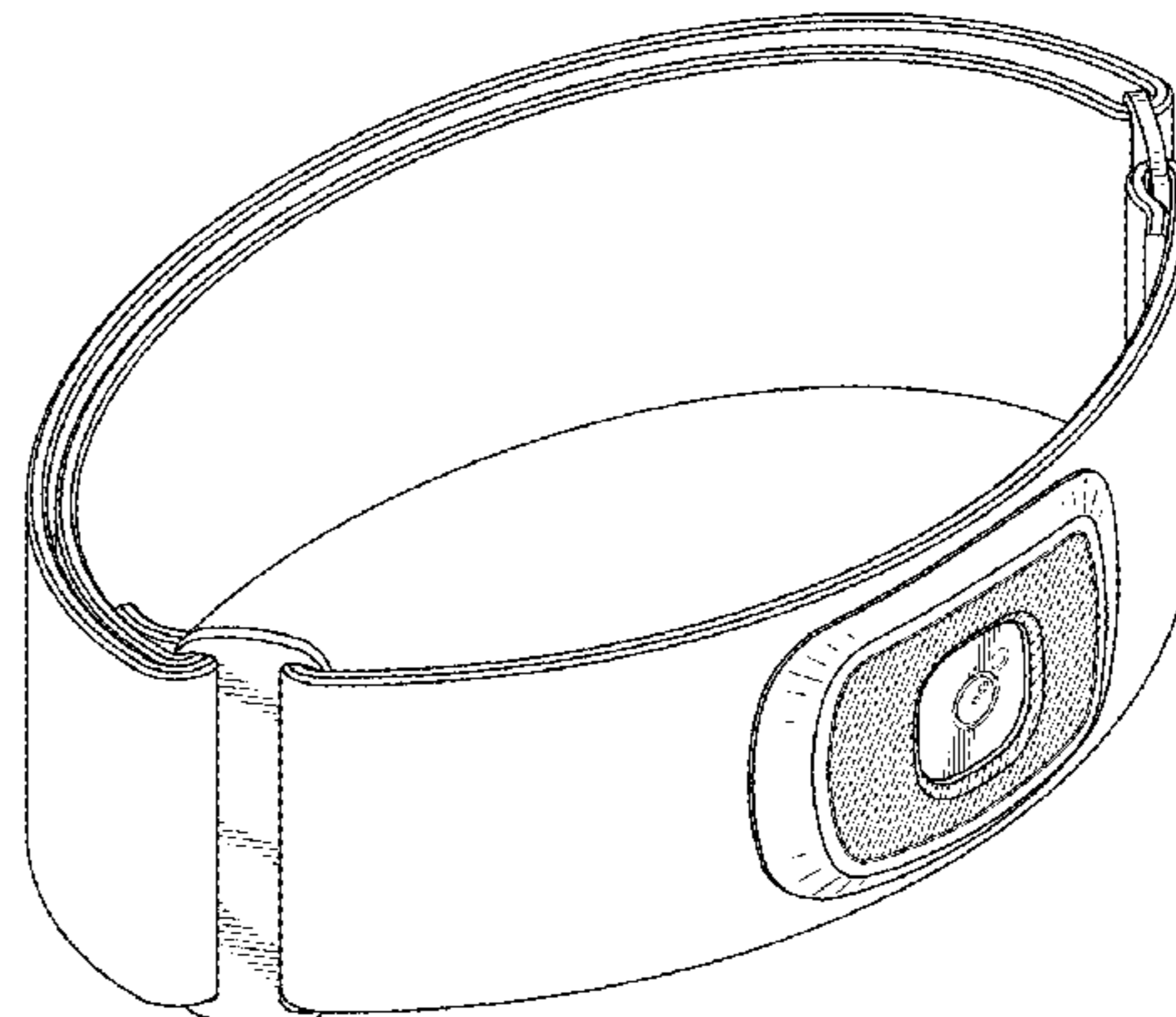
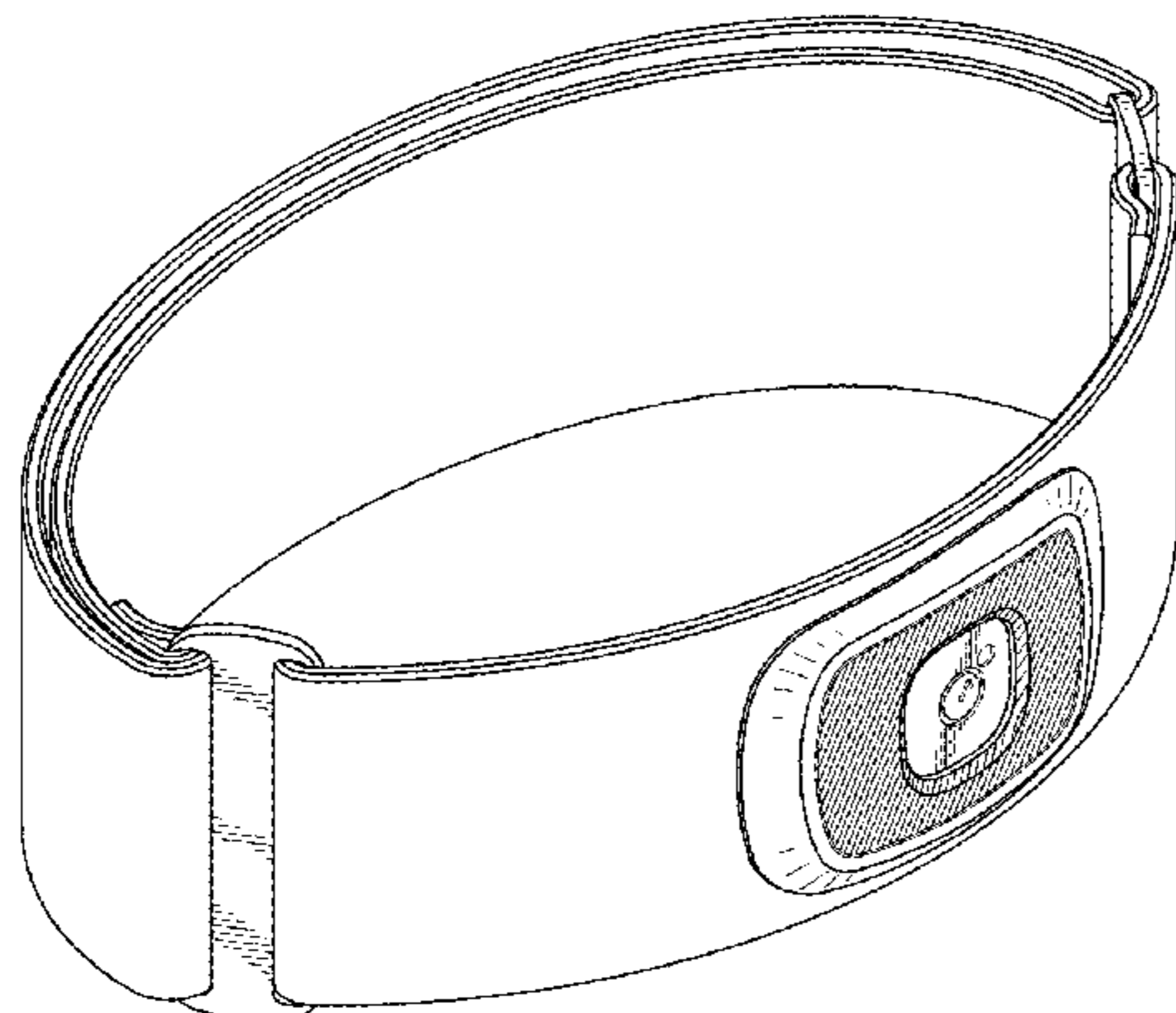
FIG. 12 is a right side view thereof;

FIG. 13 is a top elevation view thereof; and,

FIG. 14 is a bottom elevation view thereof.

The broken lines in FIGS. 6-9 and 11-14 are for environmental purposes only and form no part of the claimed design.

1 Claim, 8 Drawing Sheets



US D753,314 S

Page 2

(56)

References Cited

U.S. PATENT DOCUMENTS

D667,126 S *	9/2012	Cho et al.	D24/186
D671,858 S *	12/2012	Cobbett et al.	D11/3
D688,585 S *	8/2013	Ohnemus et al.	D11/3
D643,428 S *	8/2011	Janky et al.	D14/344

* cited by examiner

Fig. 1

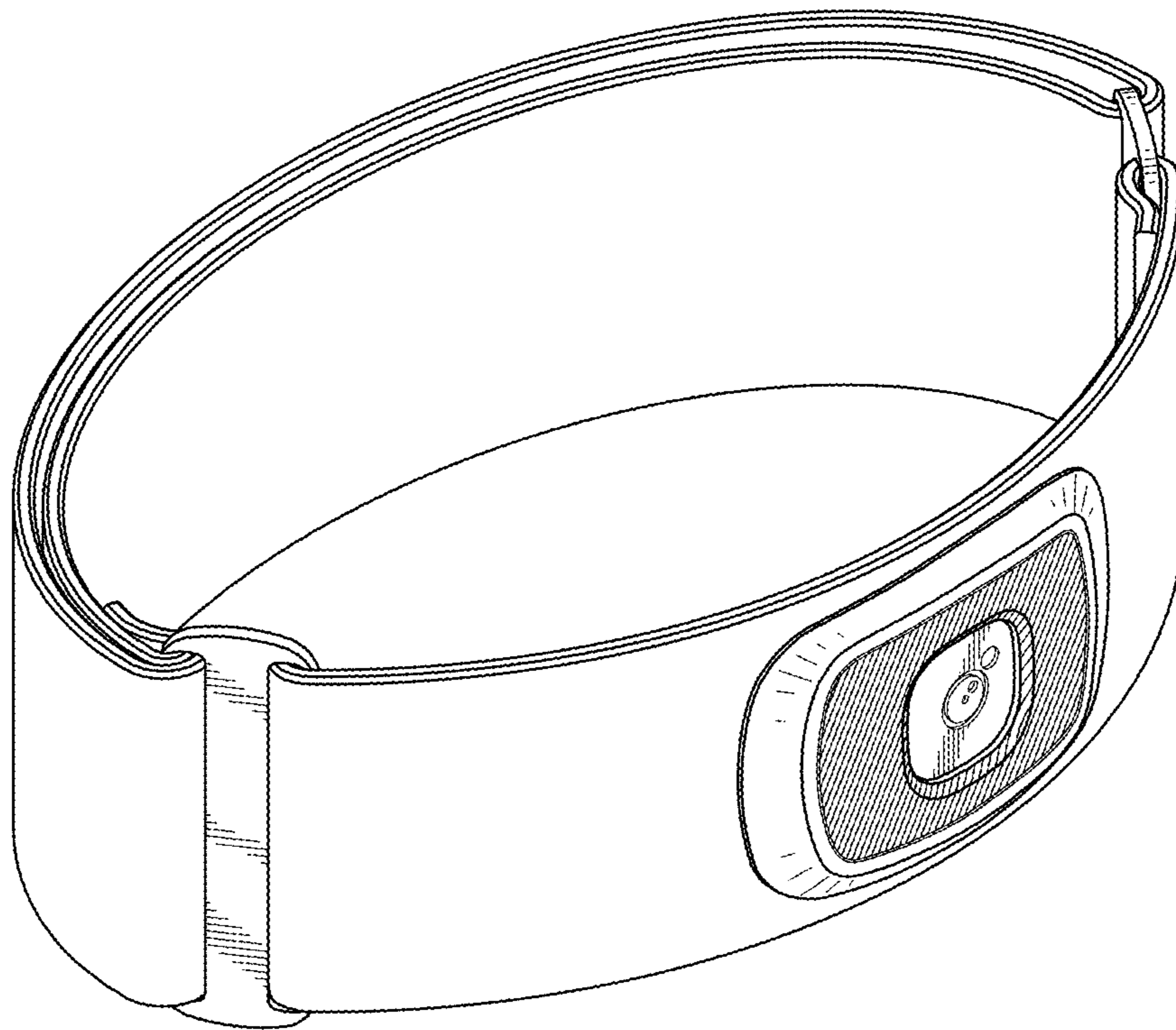


Fig. 2

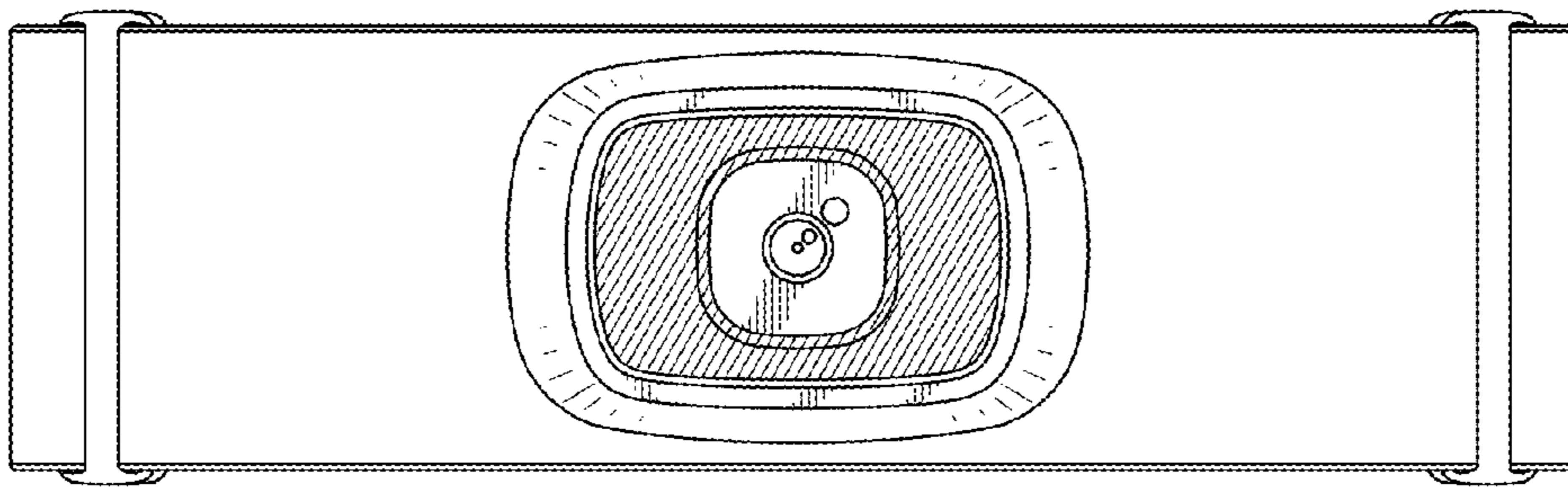


Fig. 3

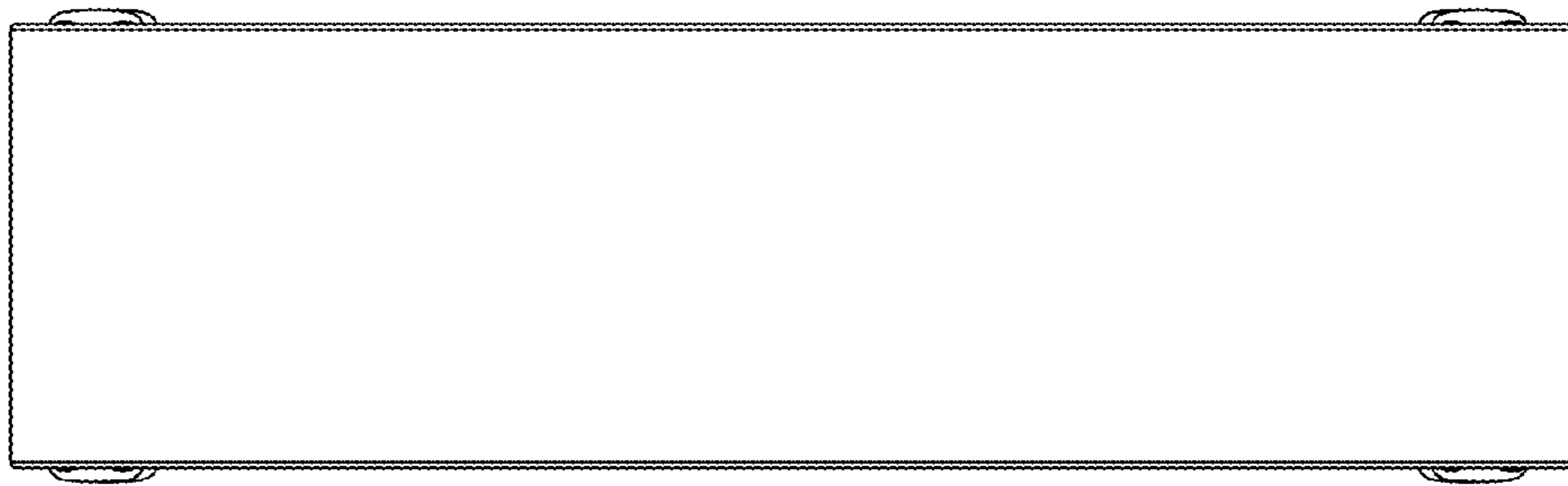


Fig. 4

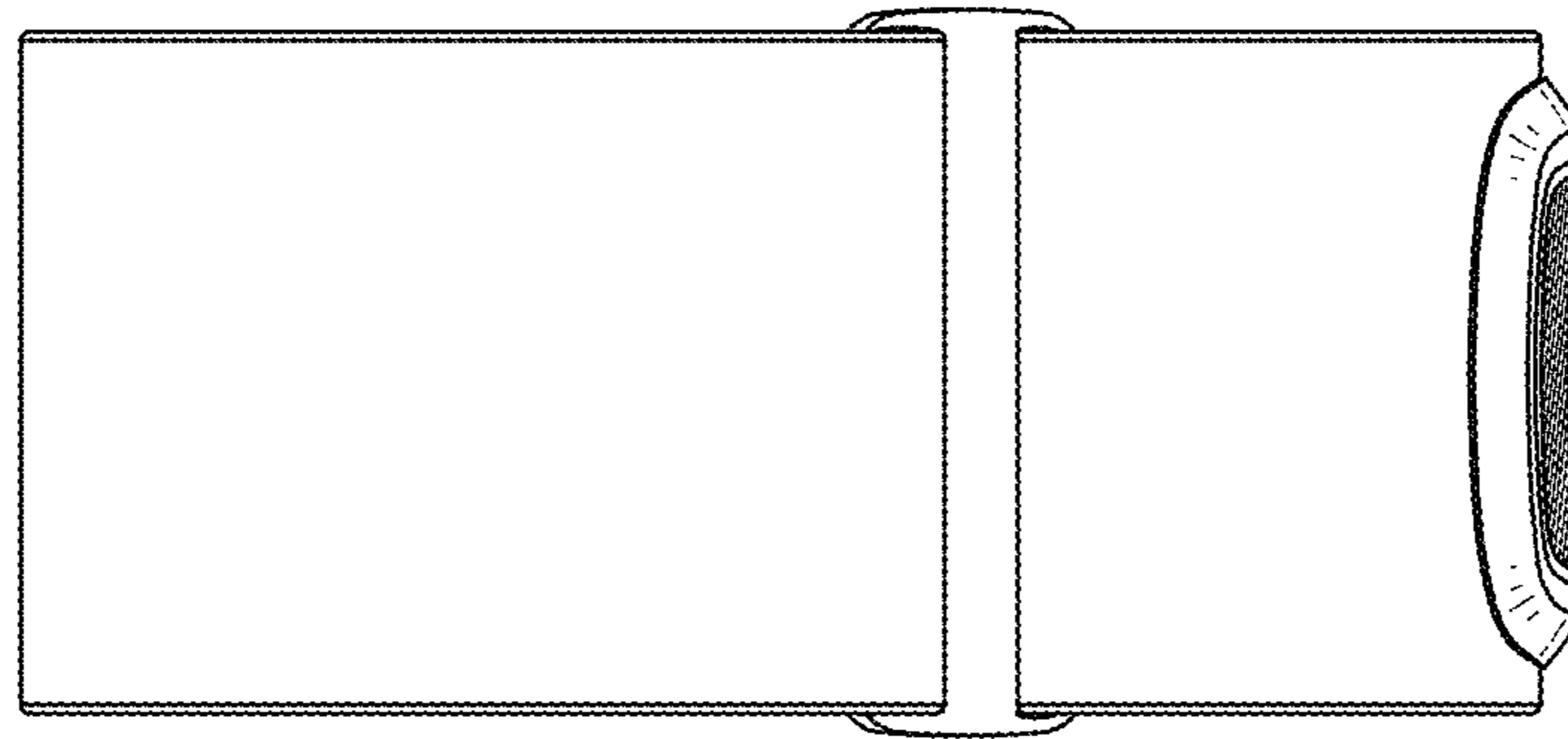


Fig. 5

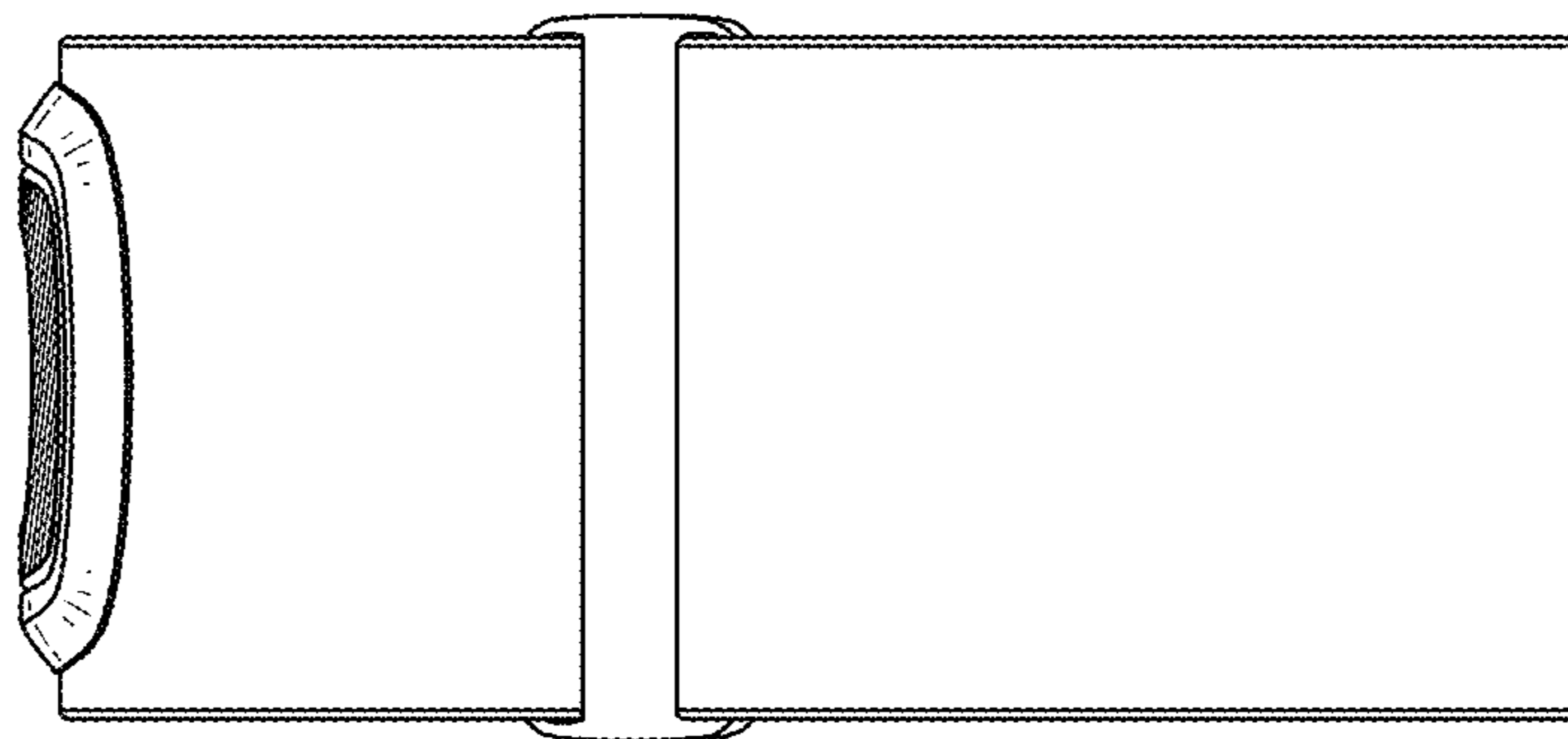


Fig. 6

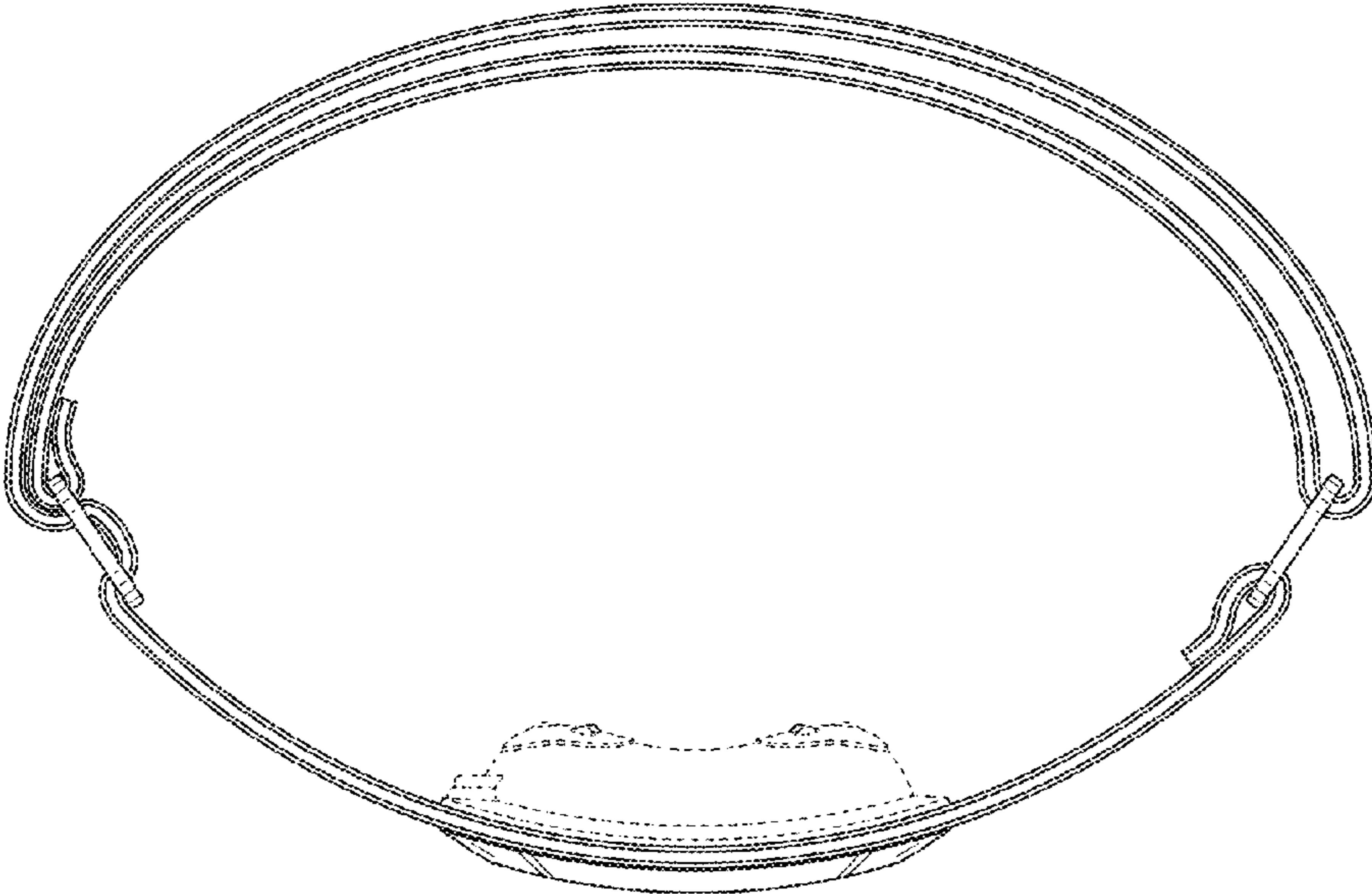


Fig. 7

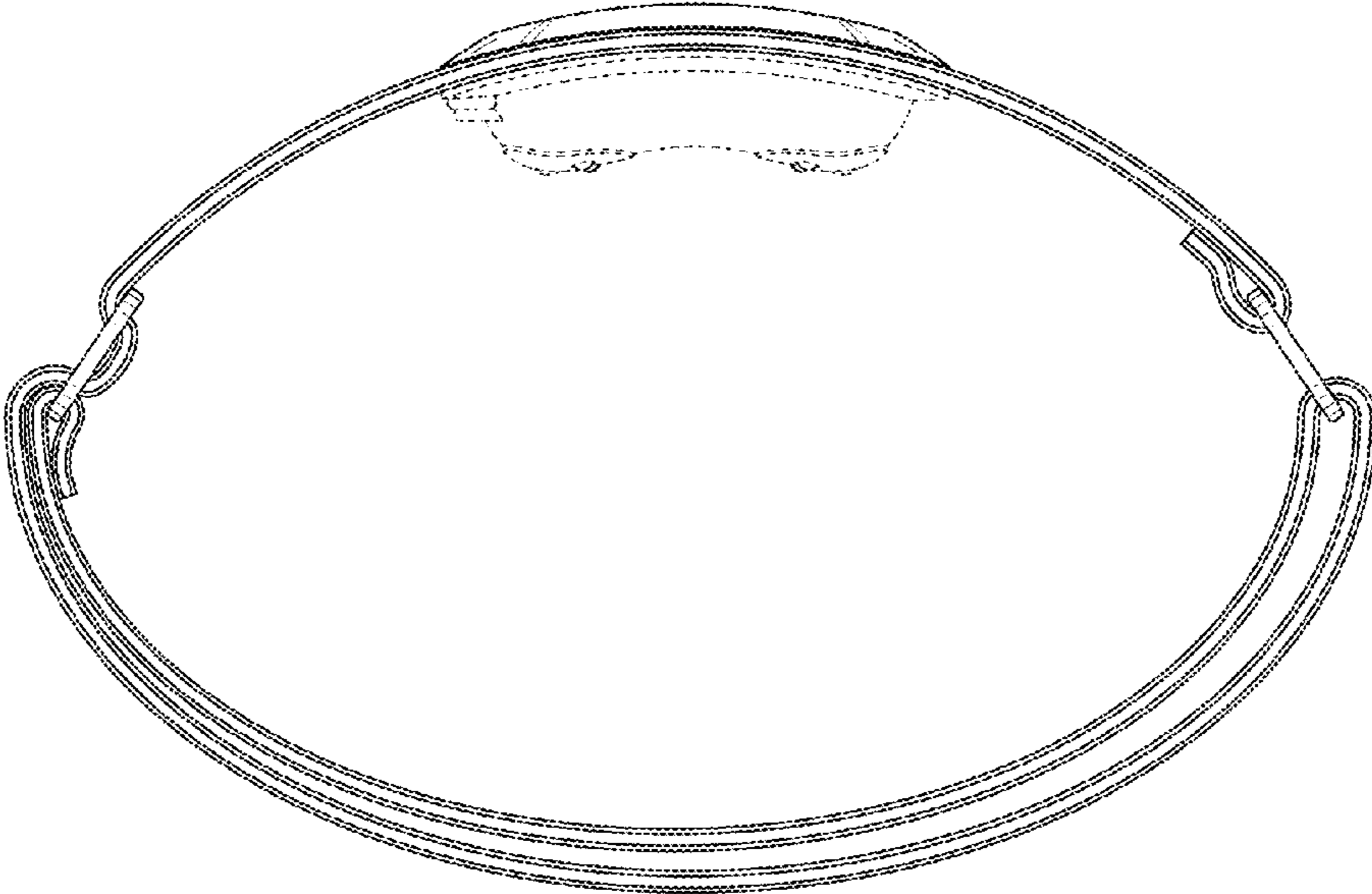


Fig. 8

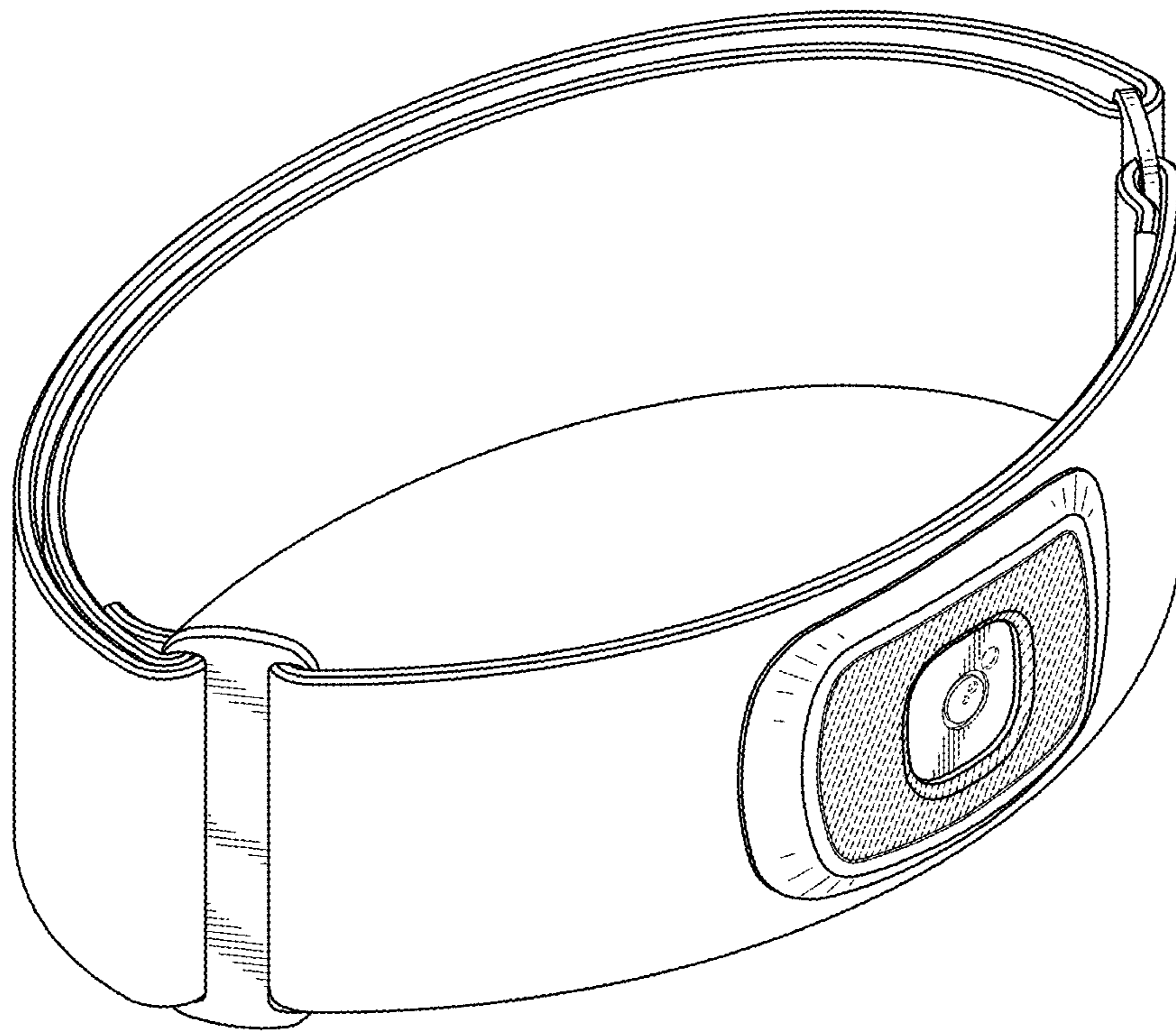


Fig. 9

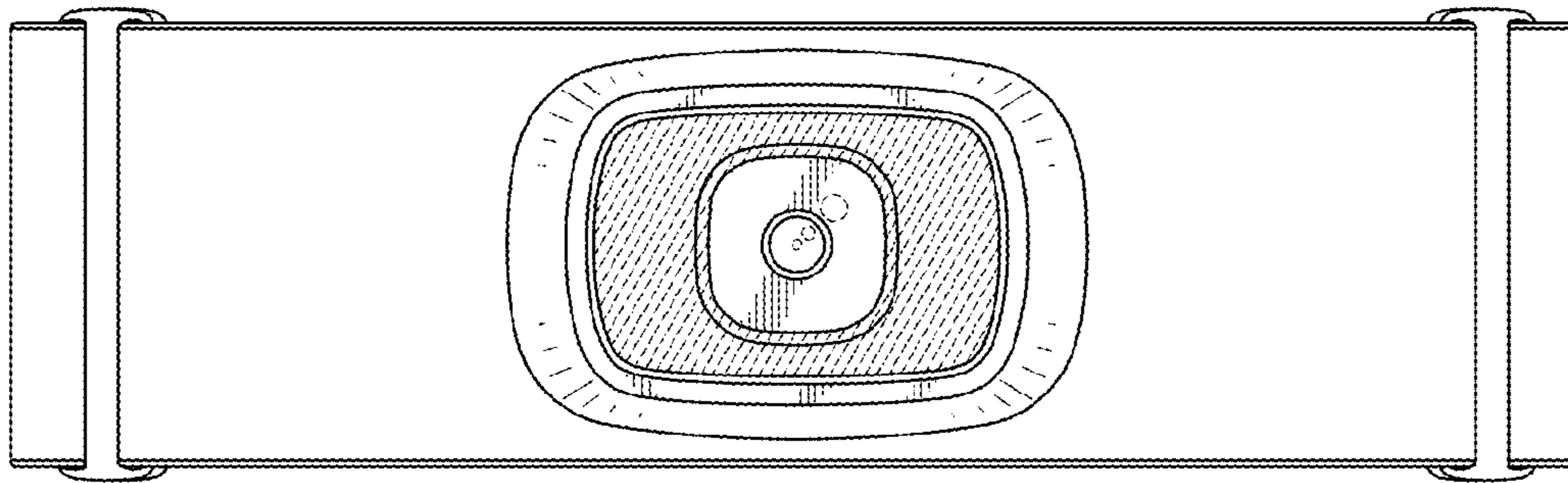


Fig. 10

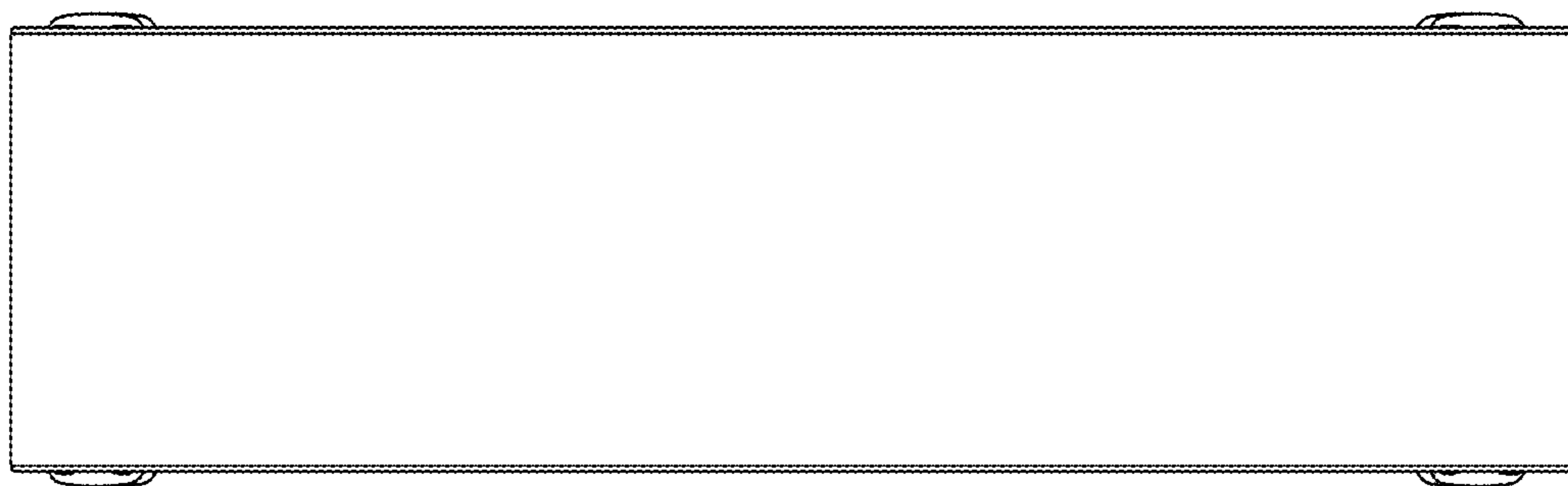


Fig. 11

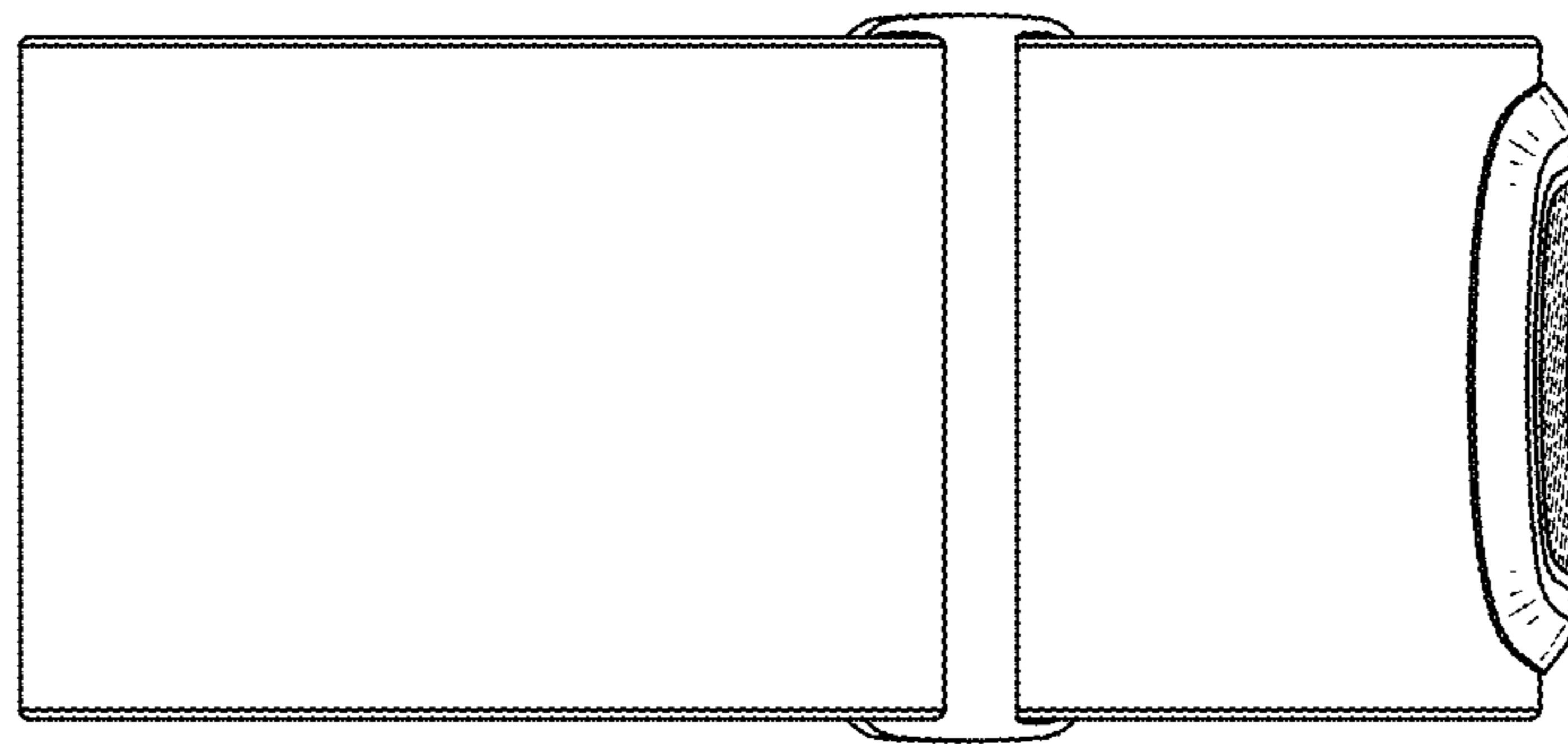


Fig. 12

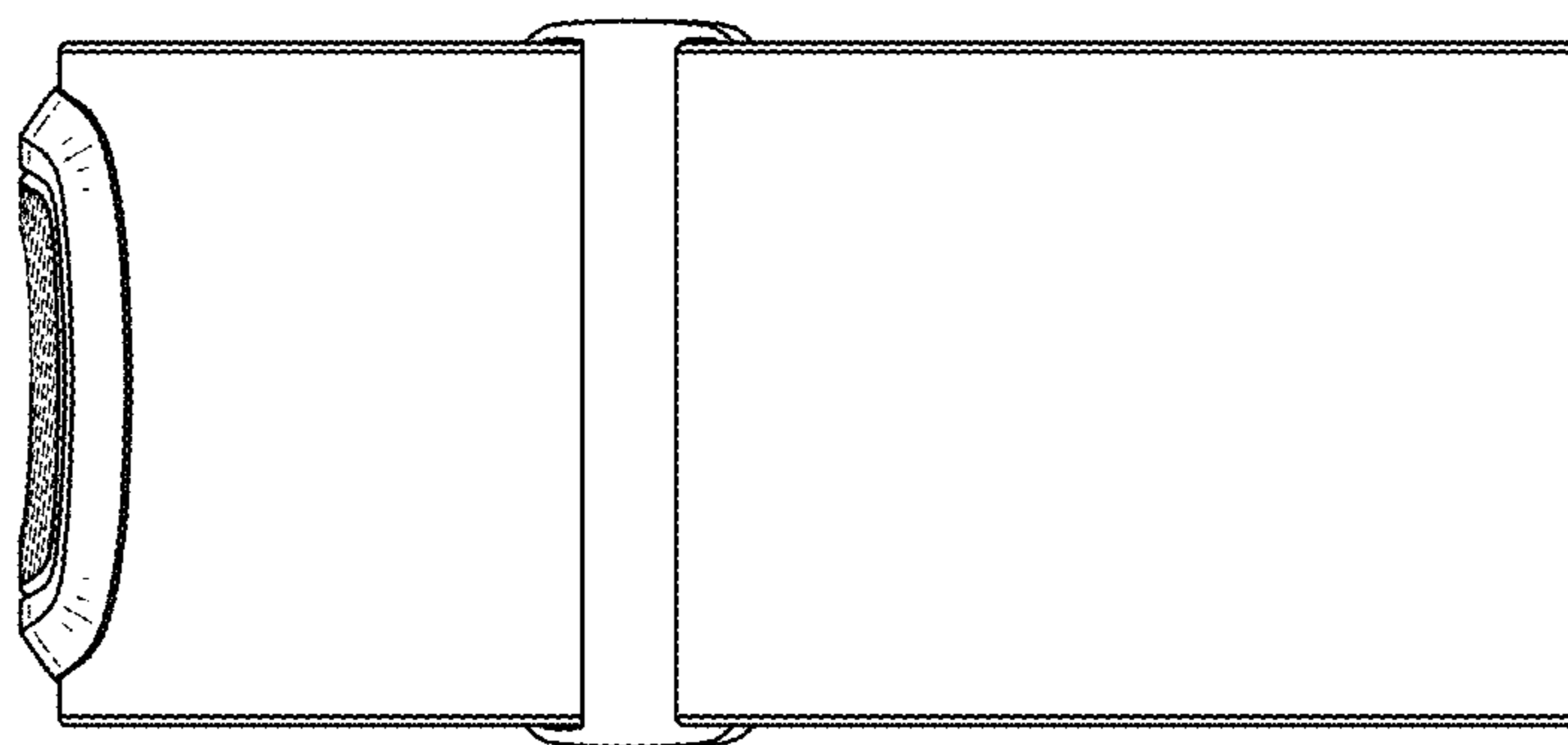


Fig. 13

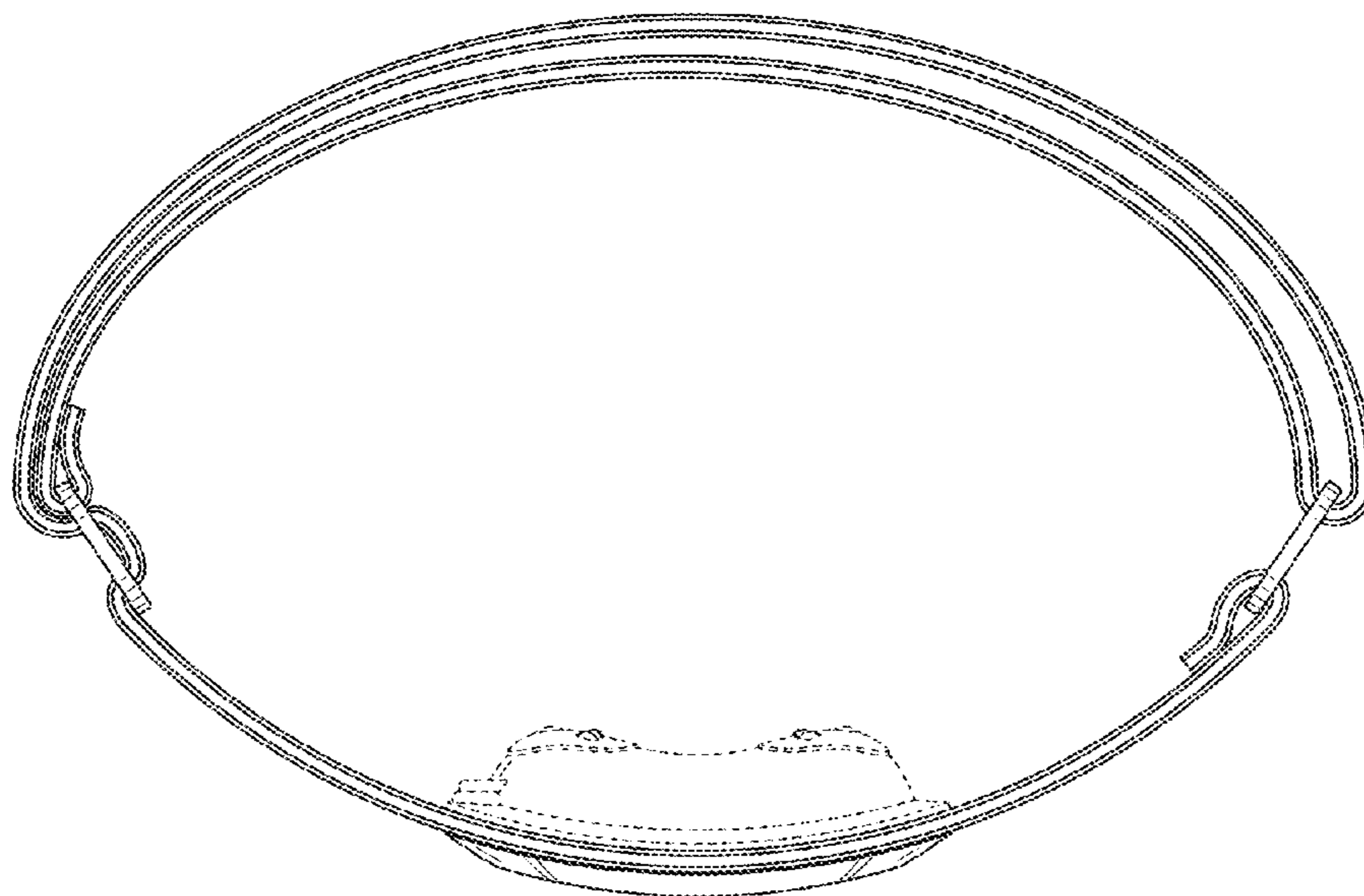


Fig. 14

