



US00D753313S

(12) **United States Design Patent**
Kim et al.

(10) **Patent No.:** **US D753,313 S**
(45) **Date of Patent:** **** Apr. 5, 2016**

- (54) **HOME MEDICAL INSTRUMENT**
- (71) Applicant: **INSUNG INFORMATION CO., LTD.**,
Seoul (KR)
- (72) Inventors: **Hong Jin Kim**, Seoul (KR); **Bong Jo Kwak**, Seoul (KR); **Jeong Hwan Park**, Seoul (KR); **Soo Kyoung Lee**, Hanam-si (KR)
- (73) Assignee: **INSUNG INFORMATION CO., LTD.**,
Seoul (KR)
- (**) Term: **14 Years**
- (21) Appl. No.: **29/476,188**
- (22) Filed: **Dec. 12, 2013**
- (51) **LOC (10) Cl.** **24-01**
- (52) **U.S. Cl.**
USPC **D24/186**
- (58) **Field of Classification Search**
USPC D24/107, 164, 167, 186, 200, 216, 165,
D24/185; 600/365, 345, 309-310, 322, 368,
600/485, 481, 459, 509, 437; D10/81;
604/66; 422/68.1; 435/287.1
CPC A61B 5/14532; A61B 5/1455; A61B
5/14546; A61B 5/14551; A61B 5/14552;
A61B 7/003; A61B 5/0476; A61B 5/021;
A61B 5/0478; C12Q 1/006
See application file for complete search history.

- (56) **References Cited**
U.S. PATENT DOCUMENTS
D310,120 S * 8/1990 Wickham et al. D24/186
D427,315 S * 6/2000 Saltzstein et al. D24/186
D446,306 S * 8/2001 Ochi et al. D24/167
D490,516 S * 5/2004 Takahashi et al. D24/107
D511,008 S * 10/2005 Ryan D24/200
D524,944 S * 7/2006 Collins D24/186

- D535,031 S * 1/2007 Barrett et al. D24/186
- D536,793 S * 2/2007 Assad et al. D24/185
- D574,961 S * 8/2008 Kitahara et al. D24/186
- D588,702 S * 3/2009 Cirelli D24/188
- D598,551 S * 8/2009 Miwa et al. D24/186
- D609,351 S * 2/2010 Wagener et al. D24/186
- D625,014 S * 10/2010 Hansen et al. D24/186
- D625,015 S * 10/2010 Hansen et al. D24/186
- D627,476 S * 11/2010 Gaw et al. D24/186
- D641,885 S * 7/2011 Wawro et al. D24/186
- D642,691 S * 8/2011 Barker et al. D24/186
- D649,645 S * 11/2011 Barker et al. D24/186
- D654,597 S * 2/2012 Hiramura D24/186
- D664,257 S * 7/2012 Patil D24/186
- D671,222 S * 11/2012 Edwards et al. D24/186
- D678,531 S * 3/2013 Patil D24/186
- D700,343 S * 2/2014 Liu D24/186
- D702,355 S * 4/2014 Laplante et al. D24/186

* cited by examiner

Primary Examiner — T. Chase Nelson
Assistant Examiner — Mark Cavanna
(74) *Attorney, Agent, or Firm* — Revolution IP, PLLC

(57) **CLAIM**
The ornamental design for a “home medical instrument,” as shown and described.

DESCRIPTION

FIG. 1 is a perspective view of home medical instrument showing my new design;
FIG. 2 is a front elevational view thereof;
FIG. 3 is a rear elevational view thereof;
FIG. 4 is a left side elevational view thereof;
FIG. 5 is a right side elevational view thereof;
FIG. 6 is a top view thereof; and,
FIG. 7 is a bottom view thereof.
The broken lines are included for the purpose of illustrating unclaimed portions of the home medical instrument that form no part of the claimed design.

1 Claim, 7 Drawing Sheets

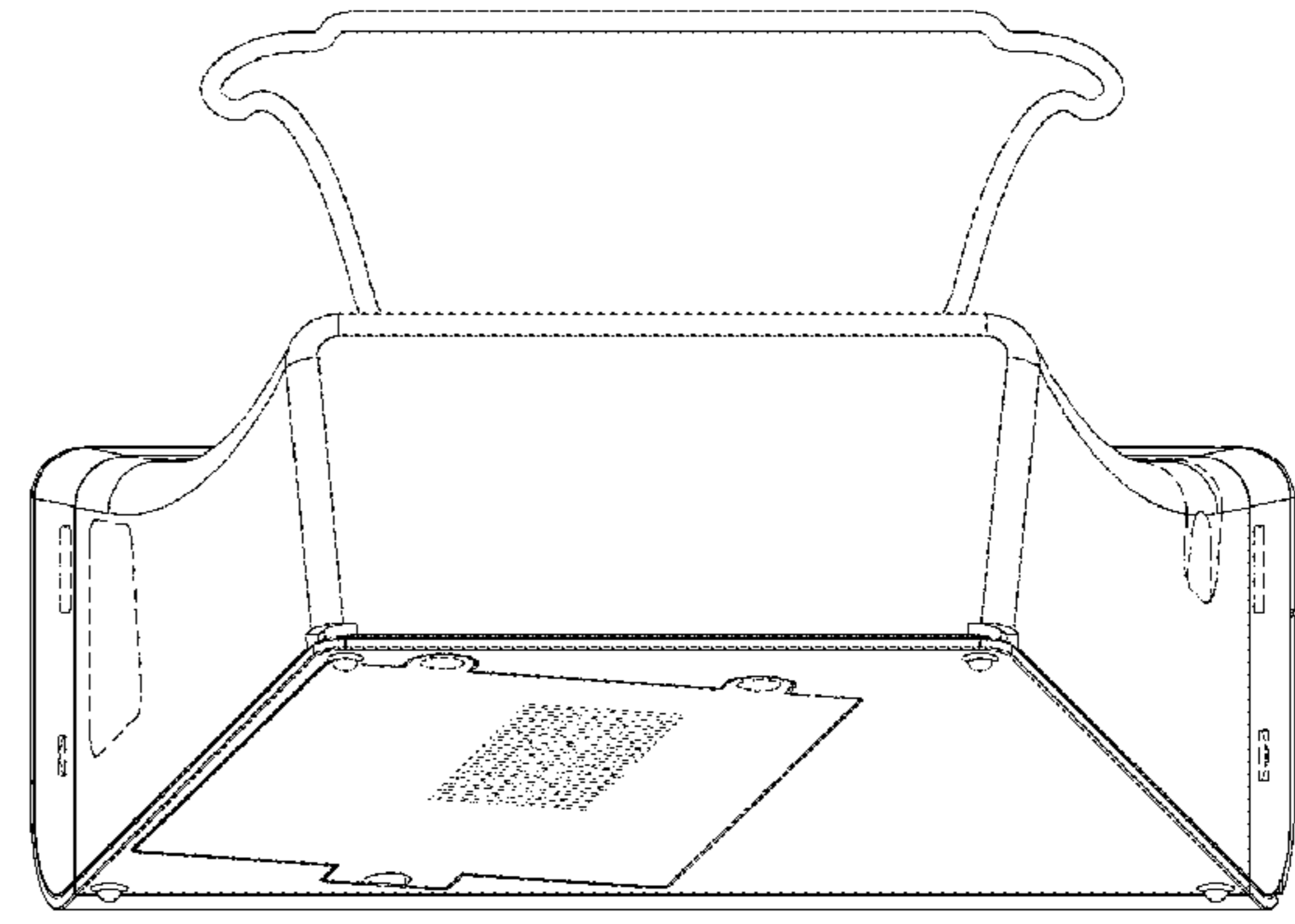
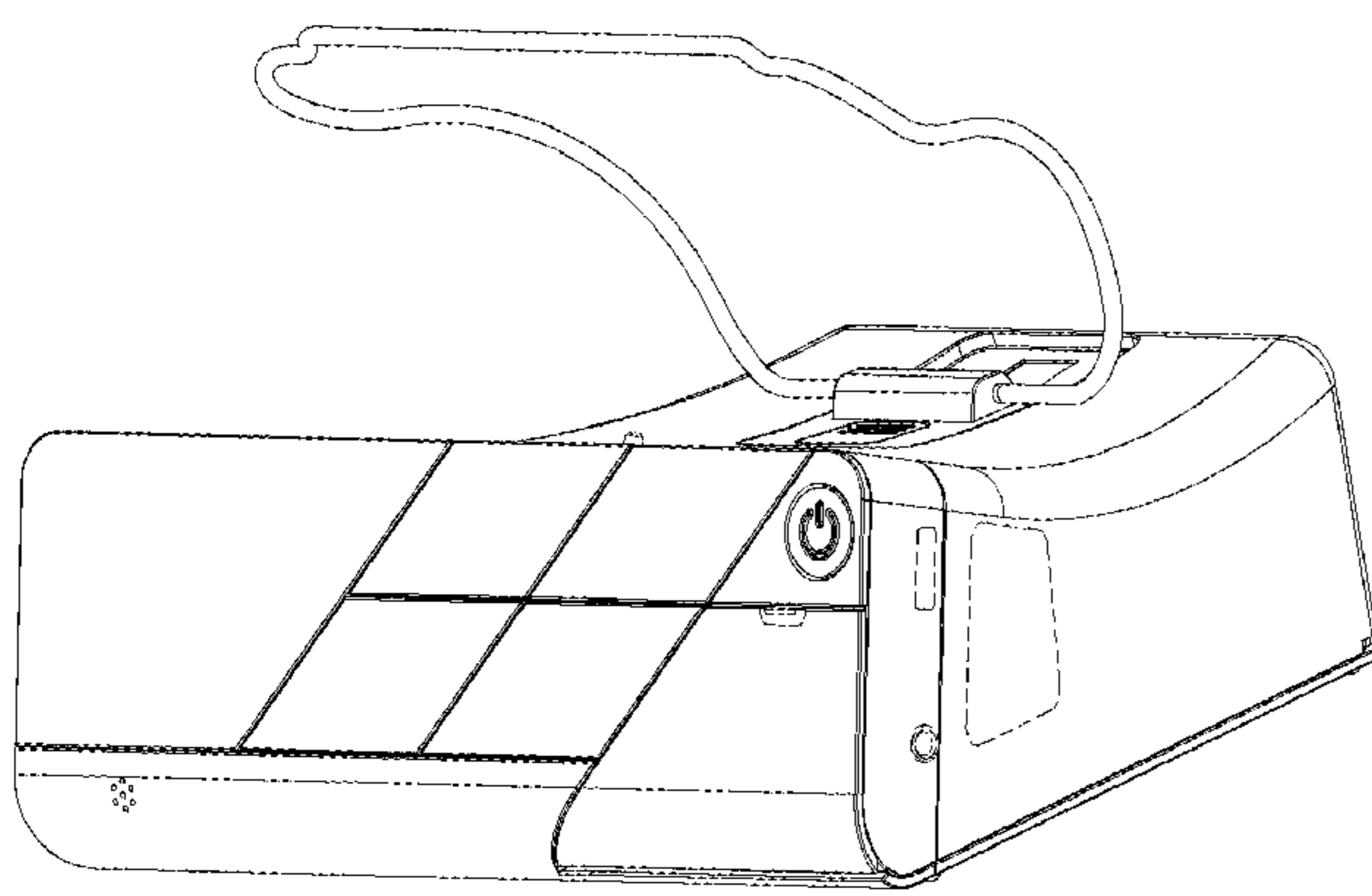


FIG. 1

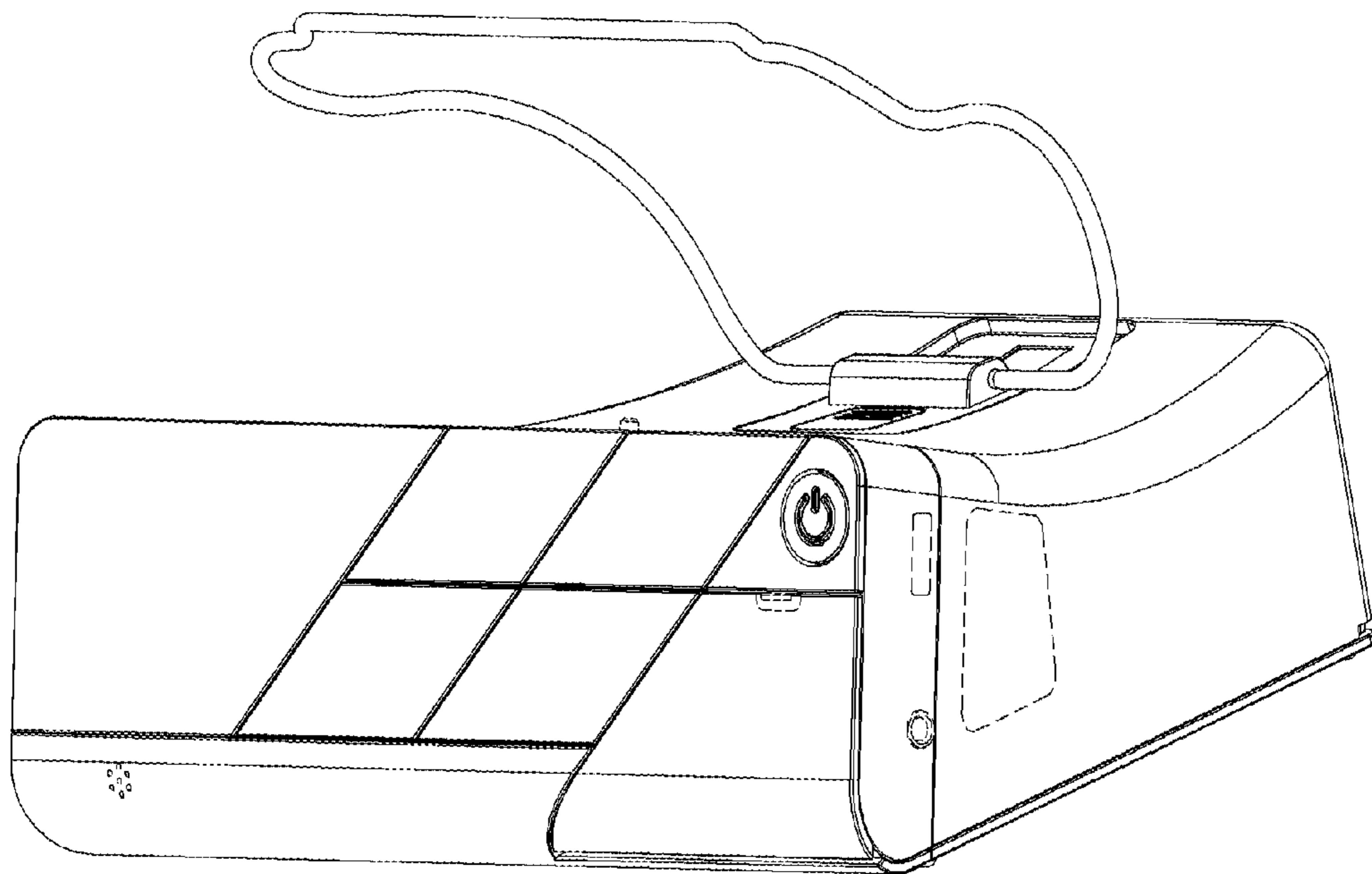


FIG. 2

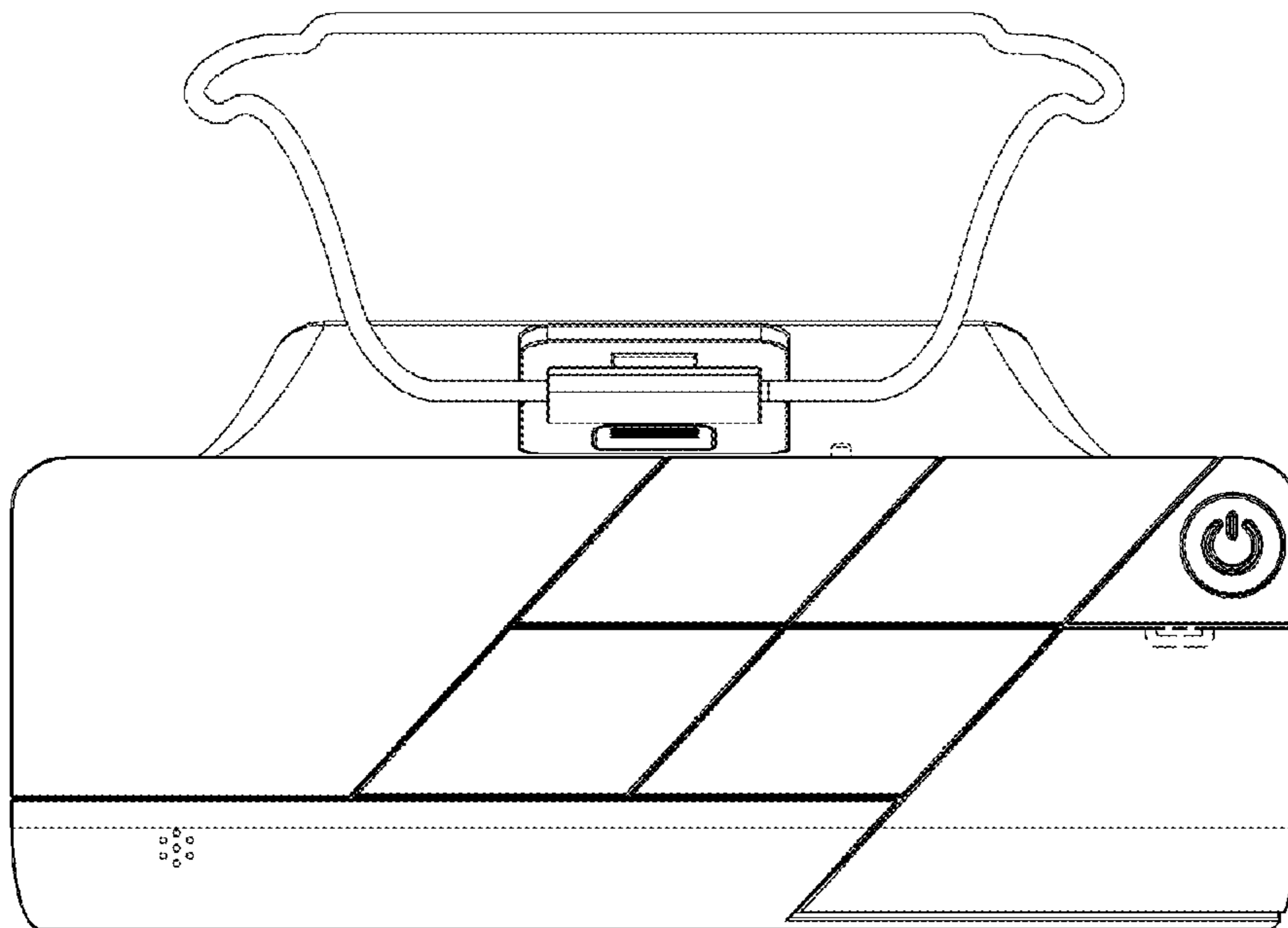


FIG. 3

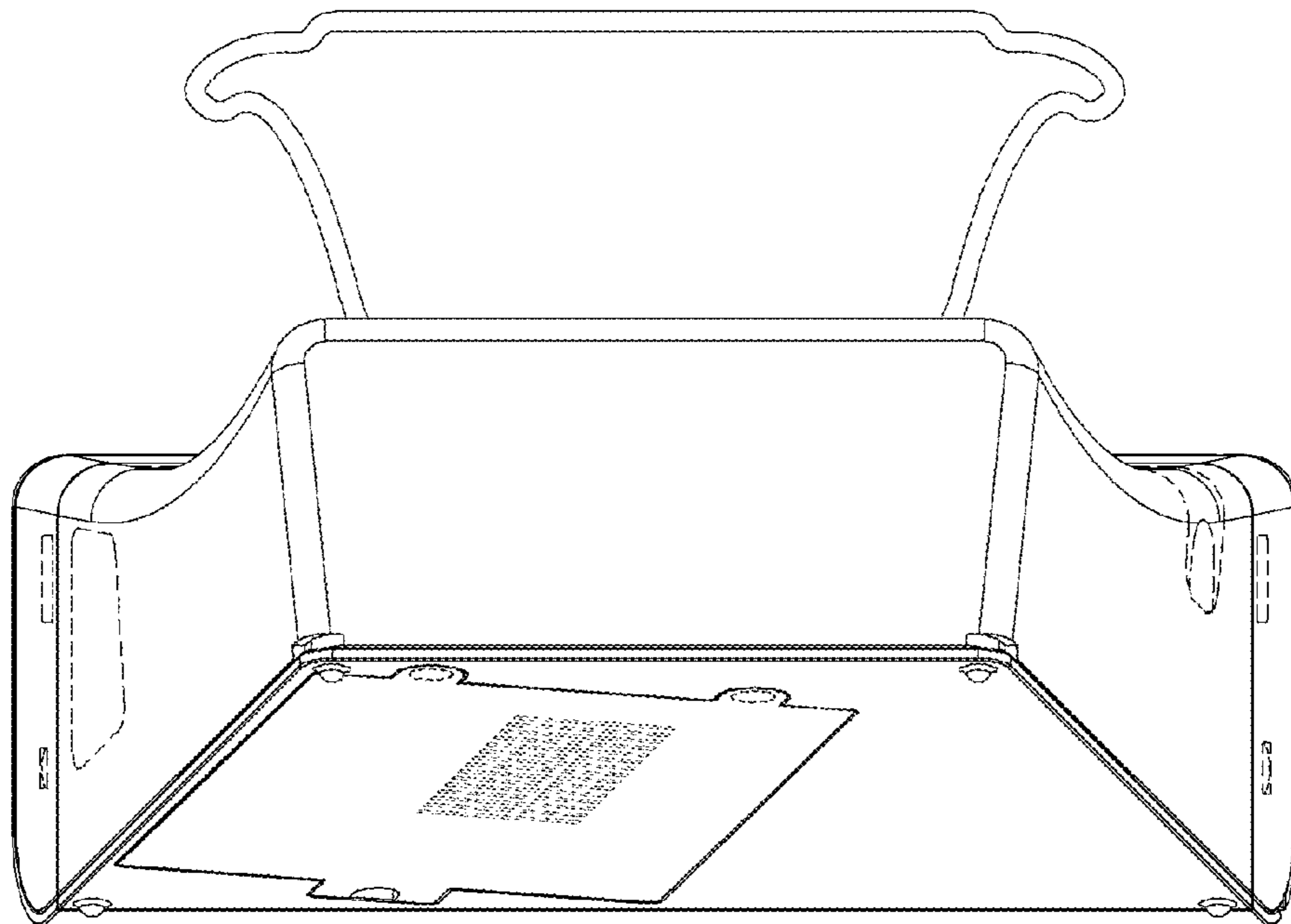


FIG. 4

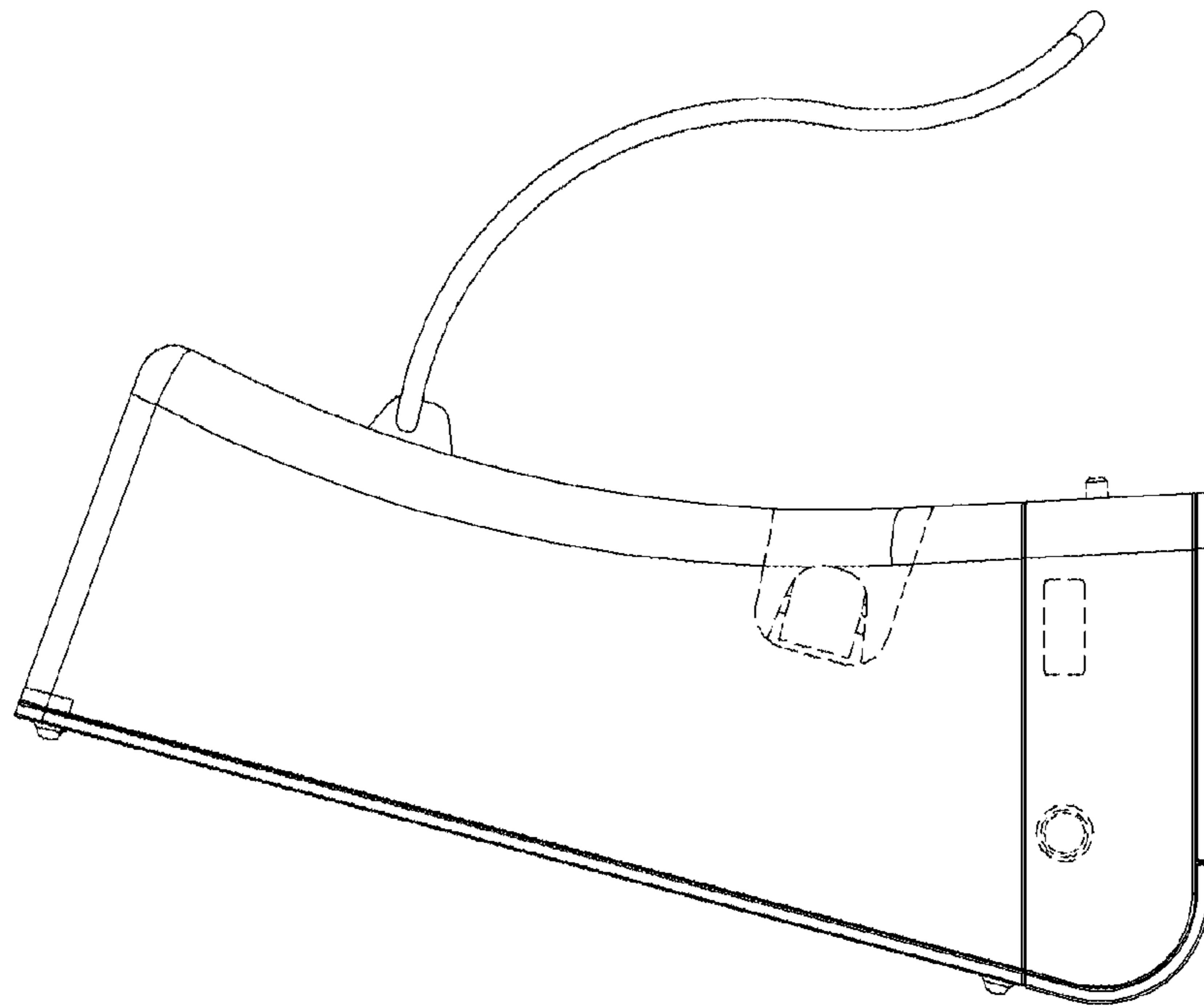


FIG. 5

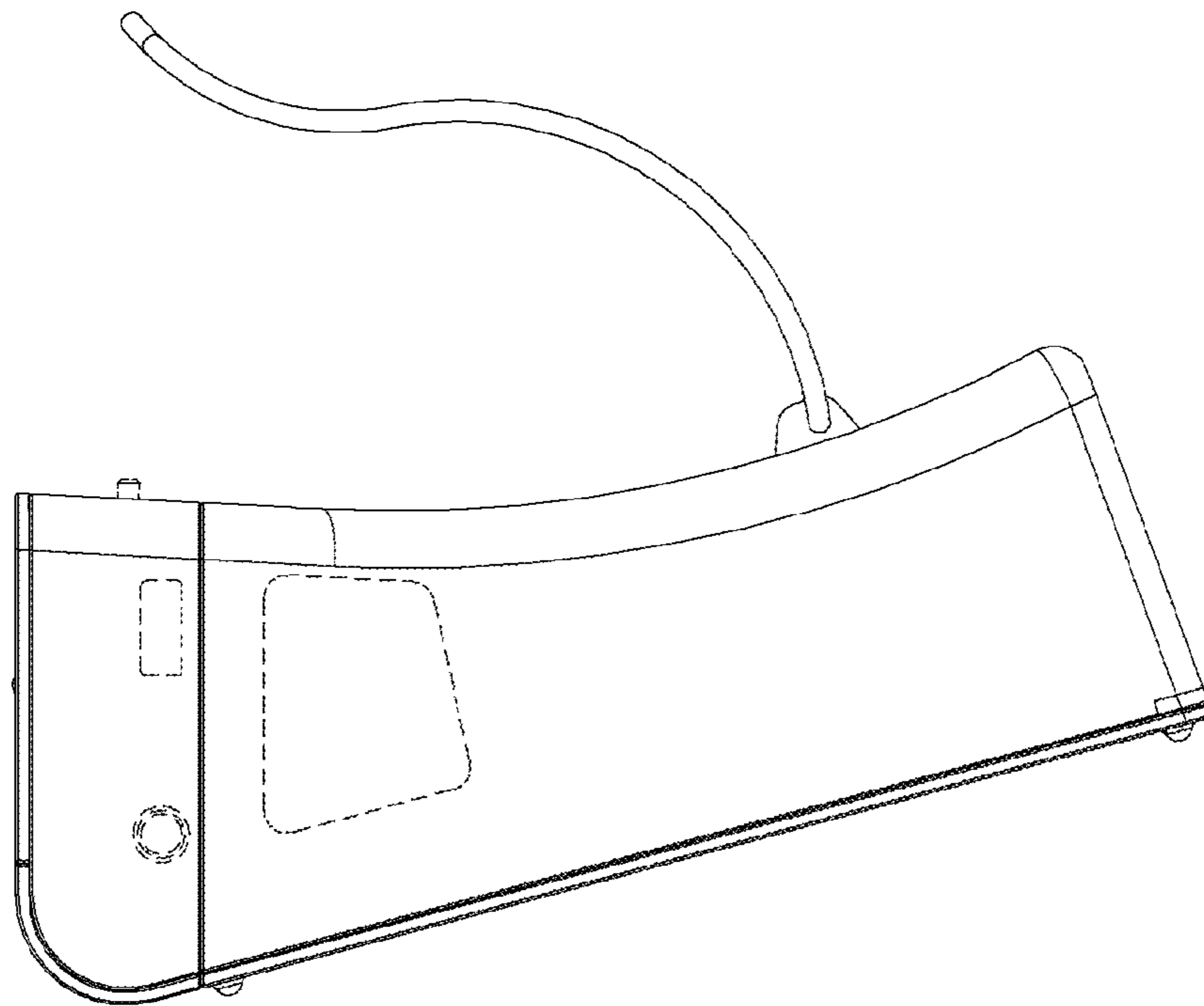


FIG. 6

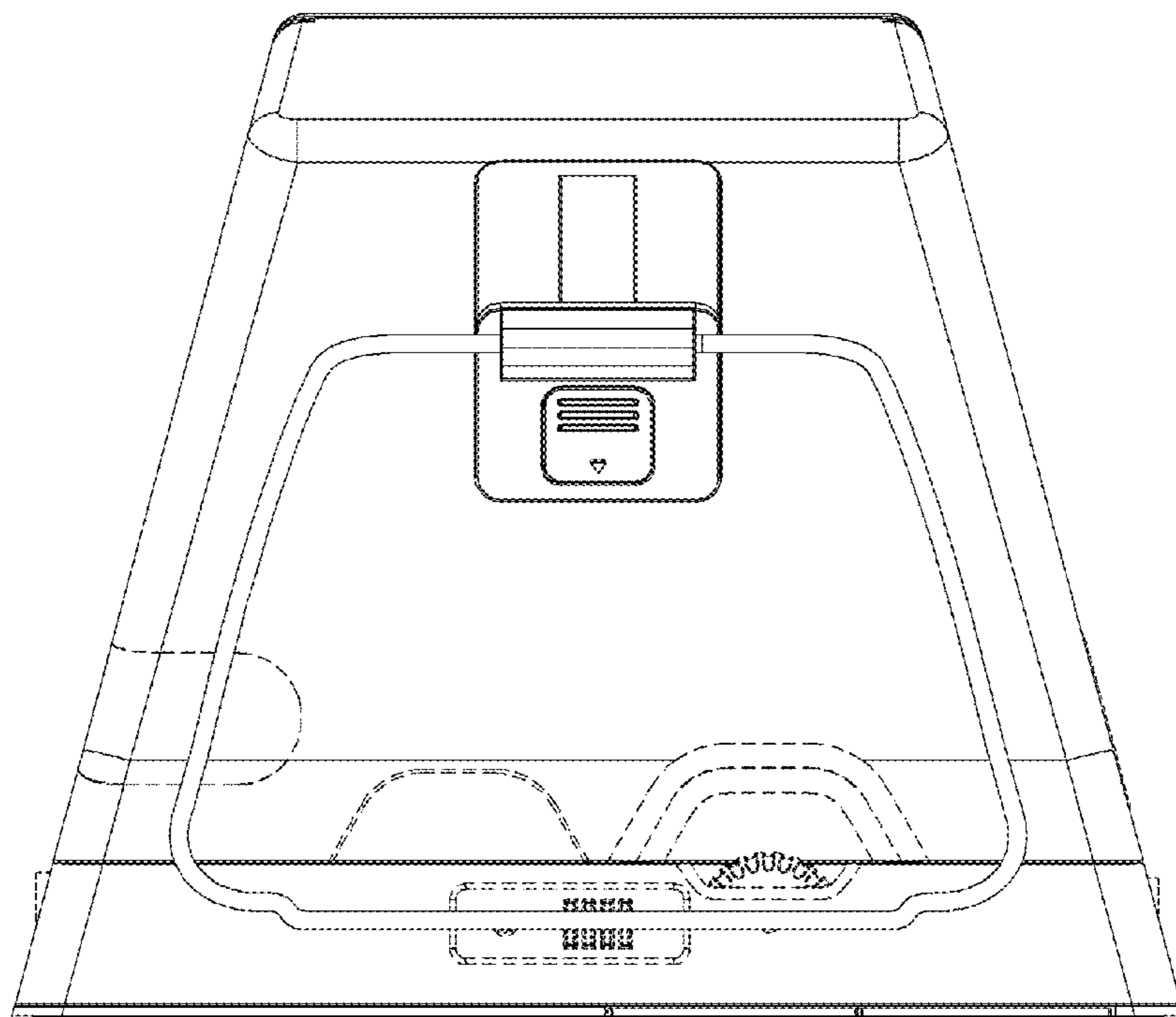


FIG. 7

