



US00D753312S

(12) **United States Design Patent**
Long

(10) **Patent No.:** **US D753,312 S**

(45) **Date of Patent:** **** *Apr. 5, 2016**

(54) **ISOTHERMAL NUCLEIC ACID
AMPLIFICATION METER**

CPC G01N 27/07; G01N 33/54366; G01N
33/54373; G01N 35/025; G01N 33/558;
G01N 21/8483; A61B 5/026; C12M 1/3446;
A61K 38/00

(75) Inventor: **Nicholas D. Long**, Harrold (GB)

See application file for complete search history.

(73) Assignee: **Alere Switzerland GmbH**, Zug (CH)

(56) **References Cited**

(*) Notice: This patent is subject to a terminal disclaimer.

U.S. PATENT DOCUMENTS

(**) Term: **14 Years**

D91,630 S * 2/1934 Klien etal D9/499
D141,214 S * 5/1945 Leicher et al. D18/11
D185,929 S * 8/1959 Pittman D18/11
D245,152 S * 7/1977 Miller D9/432

(21) Appl. No.: **29/417,907**

(Continued)

(22) Filed: **Apr. 10, 2012**

Primary Examiner — T. Chase Nelson

Assistant Examiner — Mark Cavanna

(30) **Foreign Application Priority Data**

(74) *Attorney, Agent, or Firm* — Foley Hoag LLP

Oct. 12, 2011 (EM) 001298145-0002

(51) **LOC (10) Cl.** **24-01**

(57) **CLAIM**

The ornamental design for an isothermal nucleic acid amplification meter, as shown and described.

(52) **U.S. Cl.**

USPC **D24/186**

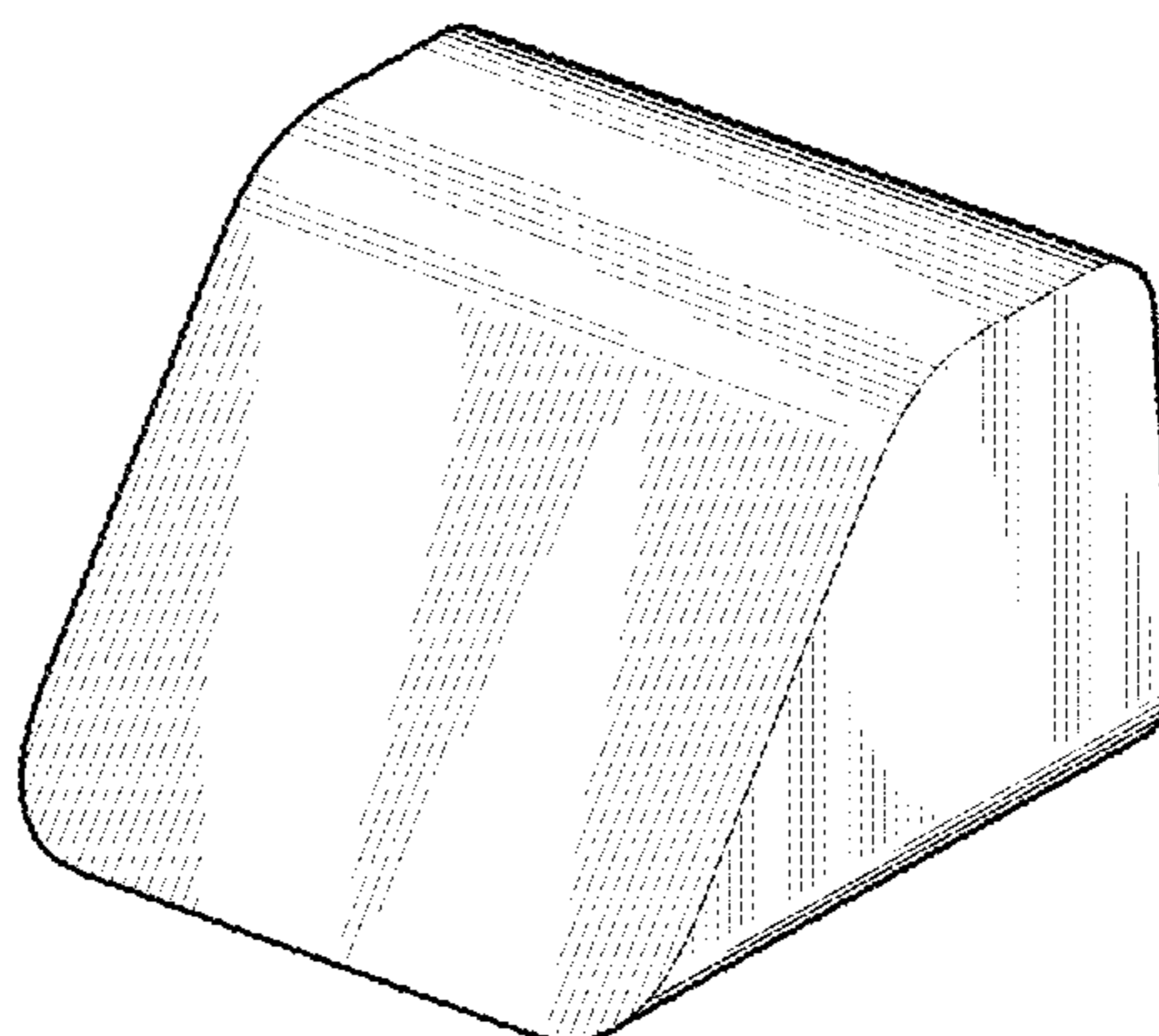
DESCRIPTION

(58) **Field of Classification Search**

USPC D24/186, 216, 230–233, 165, 183, 110,
D24/158, 184, 190; 600/308; 14/69.5;
435/287.1, 287.3; 436/807–817;
229/125.37; 248/118; 472/89; 132/73,
132/287; D3/269, 282–284, 200, 276, 204,
D3/274, 294, 304; D6/601, 310, 349, 519,
D6/609; D7/678; D8/47, 14, 402, 102,
D8/104, 347, 75; D9/422, 734, 414,
D9/431–432, 454, 456, 499, 739; D10/81,
D10/15, 2, 4, 21, 6, 106.1, 11, 121, 22, 23,
D10/26, 40; D12/217, 406, 410–413;
D13/110, 167, 184, 164, 179, 152, 162,
D13/163; D14/240–243, 356, 149, 171,
D14/500, 168, 140, 144, 150, 160, 253, 314,
D14/459, 498, 214, 188, 217, 204;
D15/136; D16/237; D18/11, 12;
D21/187, 686, 663, 801, 802, 504, 817,
D21/803, 505; D26/142, 67, 85, 26, 72;
D28/56–57, 7; D32/14.1; D34/32–33;
D25/102, 113; D23/366; 254/88

FIG. 1 is a perspective view from one side of an isothermal nucleic acid amplification meter;
FIG. 2 is a plan view from the front of the isothermal nucleic acid amplification meter of FIG. 1;
FIG. 3 is a plan view from the rear of the isothermal nucleic acid amplification meter of FIG. 1;
FIG. 4 is a plan view from the right side of the isothermal nucleic acid amplification meter of FIG. 1;
FIG. 5 is a plan view from the left side of the isothermal nucleic acid amplification meter of FIG. 1;
FIG. 6 is a plan view from above the isothermal nucleic acid amplification meter of FIG. 1; and,
FIG. 7 is a plan view from below the isothermal nucleic acid amplification meter of FIG. 1.
The broken lines in FIGS. 1-7 are included for the purpose of illustrating unclaimed portions of the isothermal nucleic acid amplification meter and form no part of the claimed design.

1 Claim, 6 Drawing Sheets



(56)

References Cited

U.S. PATENT DOCUMENTS

| | | | | | | | |
|----------------|---------|-----------|-----------------------|-------------------|---------|----------------|----------------------|
| D250,934 S * | 1/1979 | Fannin | D10/40 | D561,377 S * | 2/2008 | Guercio | D26/85 |
| D260,886 S * | 9/1981 | Taylor | D14/314 | D561,735 S * | 2/2008 | Nagura | D14/168 |
| D275,101 S * | 8/1984 | Read | D10/106.1 | D565,131 S * | 3/2008 | Decker | D21/686 |
| D276,998 S * | 1/1985 | Caven | D13/179 | D565,734 S * | 4/2008 | Scott | D24/183 |
| D285,554 S * | 9/1986 | Beaumont | D13/164 | D577,440 S * | 9/2008 | Ferber | D24/165 |
| D288,478 S * | 2/1987 | Carlson | D24/216 | D578,219 S * | 10/2008 | Daggett | D24/183 |
| D317,480 S * | 6/1991 | Skov | D21/504 | D582,408 S * | 12/2008 | Maiers | D14/356 |
| 5,033,146 A * | 7/1991 | Fogarty | B66F 7/243 14/69.5 | D583,060 S * | 12/2008 | Kitamura | D24/165 |
| D321,636 S * | 11/1991 | Ciciliot | D8/14 | D583,474 S * | 12/2008 | Mitsunami | D24/165 |
| D331,696 S * | 12/1992 | Graham | D26/142 | D583,977 S * | 12/2008 | Guercio | D26/85 |
| D336,224 S * | 6/1993 | Terry | D8/14 | D584,445 S * | 1/2009 | Guercio | D26/85 |
| D347,008 S * | 5/1994 | Theisen | D14/160 | D597,103 S * | 7/2009 | Xiao | D14/500 |
| D347,428 S * | 5/1994 | Solomita | D10/2 | D598,551 S * | 8/2009 | Miwa | D24/186 |
| 5,326,056 A * | 7/1994 | Smith | A45D 29/22 132/73 | D622,424 S * | 8/2010 | Smith | D26/26 |
| D353,487 S * | 12/1994 | Smith | D3/304 | D630,617 S * | 1/2011 | Ayres | D14/217 |
| D358,337 S * | 5/1995 | Wilson | D10/15 | D637,375 S * | 5/2011 | Haren | D34/32 |
| D359,287 S * | 6/1995 | Heberling | D14/242 | D644,402 S * | 8/2011 | Shoup | D34/32 |
| D365,340 S * | 12/1995 | Hill | D14/356 | D652,883 S * | 1/2012 | VanElverdinghe | D21/801 |
| D377,650 S * | 1/1997 | Obata | D14/171 | D652,884 S * | 1/2012 | VanElverdinghe | D21/801 |
| D391,923 S * | 3/1998 | Tracey | D13/167 | D662,077 S * | 6/2012 | Deffarges | D14/204 |
| D442,006 S * | 5/2001 | Miller | D6/601 | D664,148 S * | 7/2012 | Josefek | D14/459 |
| 6,305,388 B1 * | 10/2001 | Zeller | A45D 44/02 132/287 | D665,501 S * | 8/2012 | Shibata | D24/165 |
| D451,568 S * | 12/2001 | Gordon | D21/801 | D669,213 S * | 10/2012 | Celia | D28/7 |
| D464,627 S * | 10/2002 | Metcalf | D13/152 | D673,928 S * | 1/2013 | Desrosiers | D14/204 |
| D465,050 S * | 10/2002 | Crelin | D26/85 | D675,267 S * | 1/2013 | Jamison, Jr. | D21/686 |
| D483,428 S * | 12/2003 | Frey | D21/817 | D678,845 S * | 3/2013 | Singer | D13/152 |
| D487,533 S * | 3/2004 | Abbott | D28/57 | D680,176 S * | 4/2013 | Chin | D21/495 |
| D488,126 S * | 4/2004 | Baswick | D13/110 | D682,432 S * | 5/2013 | Khan | D24/186 |
| D495,318 S * | 8/2004 | Dayan | D14/214 | D689,193 S * | 9/2013 | Shinohara | D24/216 |
| D500,113 S * | 12/2004 | Frey | D21/817 | D691,096 S * | 10/2013 | Beroukas | D13/162 |
| D501,136 S * | 1/2005 | Shurman | D9/422 | D712,750 S * | 9/2014 | Glenn | D9/734 |
| D501,401 S * | 2/2005 | Shurman | D9/422 | D716,990 S * | 11/2014 | Yu | D26/72 |
| D511,767 S * | 11/2005 | Ishizaki | D14/188 | D717,440 S * | 11/2014 | Shibata | D24/165 |
| D516,056 S * | 2/2006 | Hsiau | D14/188 | D717,968 S * | 11/2014 | Klein | D24/232 |
| D537,951 S * | 3/2007 | Okamoto | D24/233 | D718,149 S * | 11/2014 | Glenn | D9/734 |
| D556,914 S * | 12/2007 | Okamoto | D24/233 | D718,282 S * | 11/2014 | Bennett | D13/163 |
| D561,376 S * | 2/2008 | Guercio | D26/85 | D722,976 S * | 2/2015 | Okado | D13/152 |
| | | | | D725,463 S * | 3/2015 | Kuo | D9/414 |
| | | | | D741,285 S * | 10/2015 | Boynton | D14/188 |
| | | | | 2006/0027794 A1 * | 2/2006 | Heinz | B66F 7/243 254/88 |

* cited by examiner

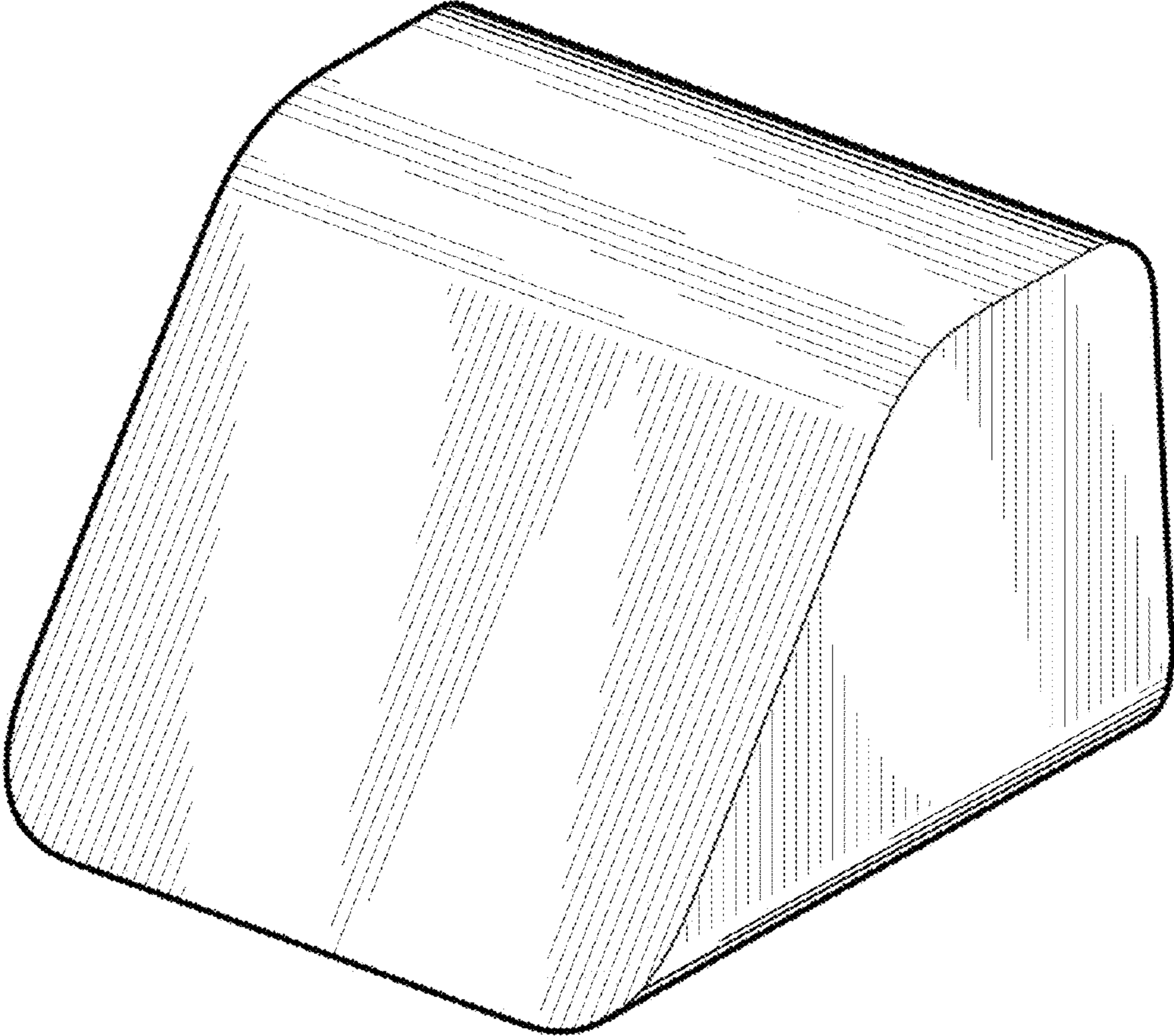


Fig. 1

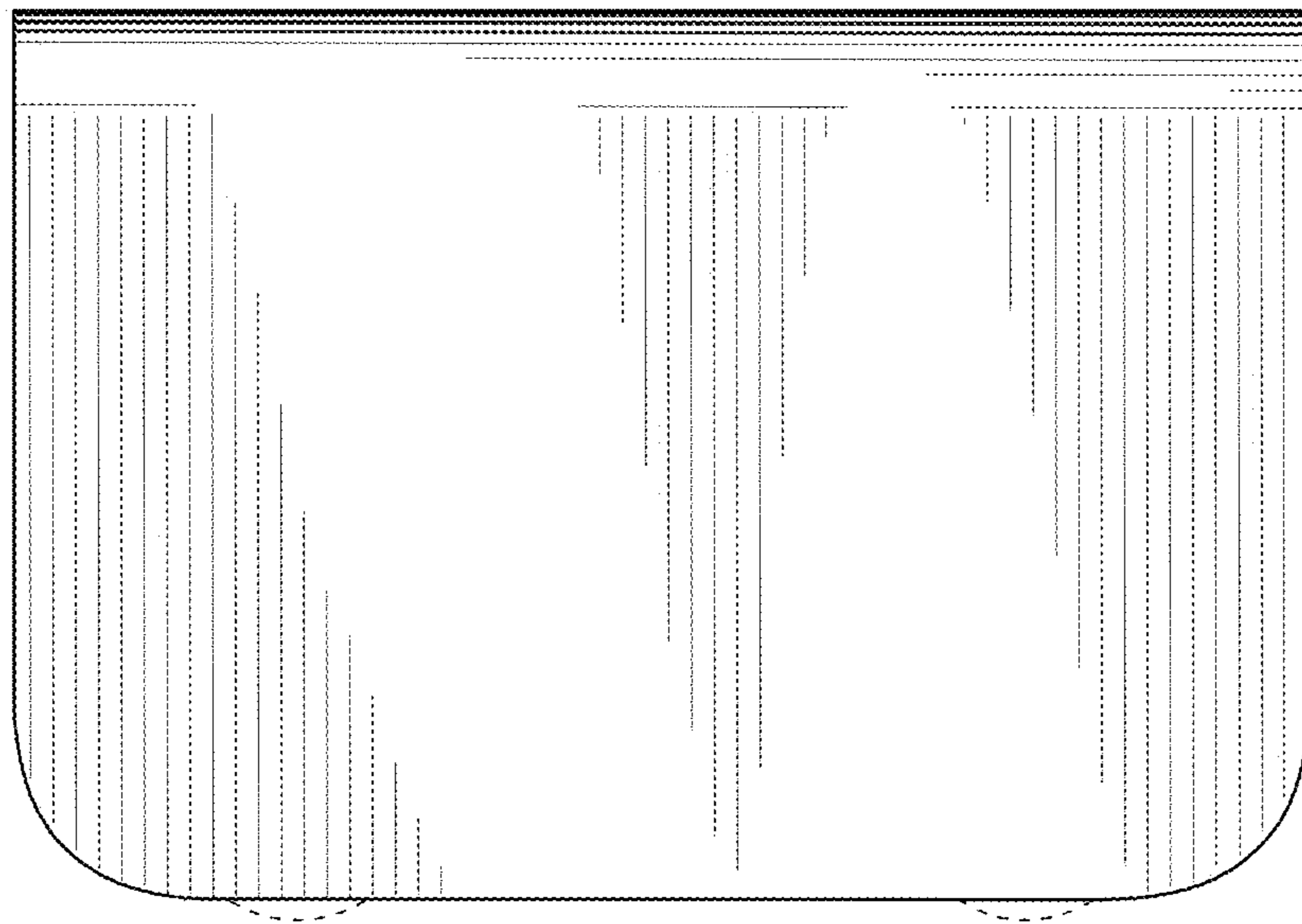


Fig. 2

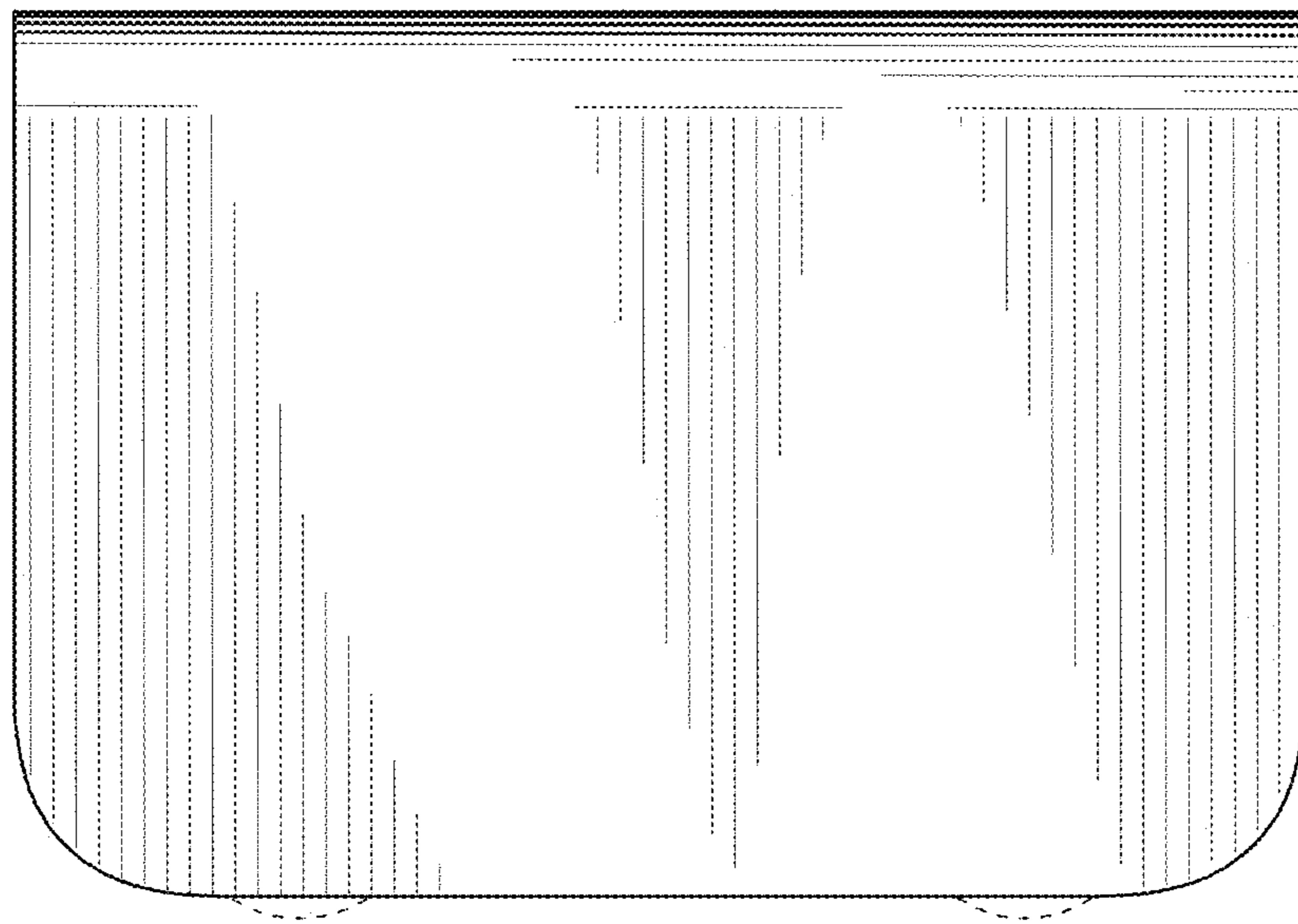


Fig. 3

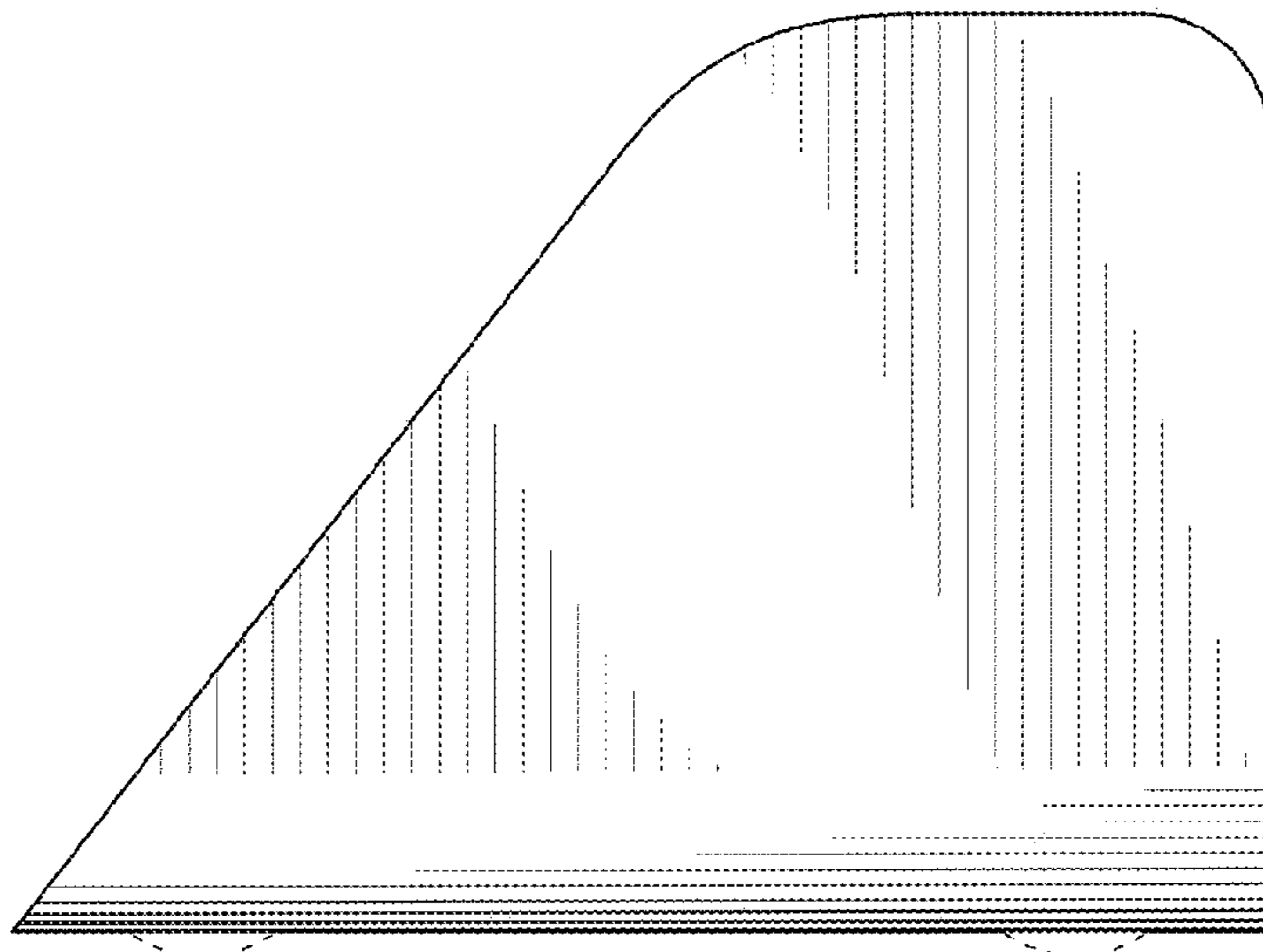


Fig. 4

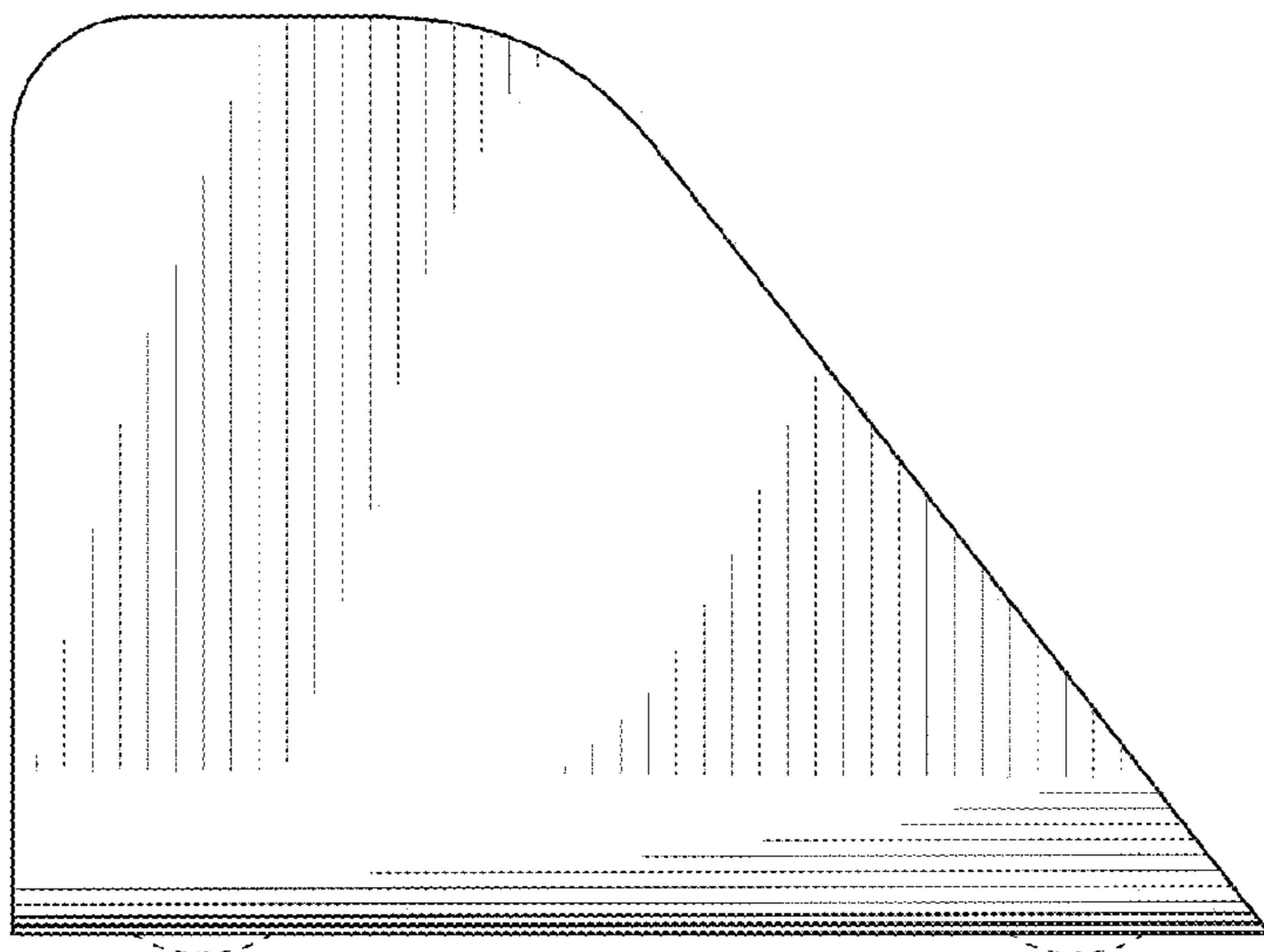


Fig. 5

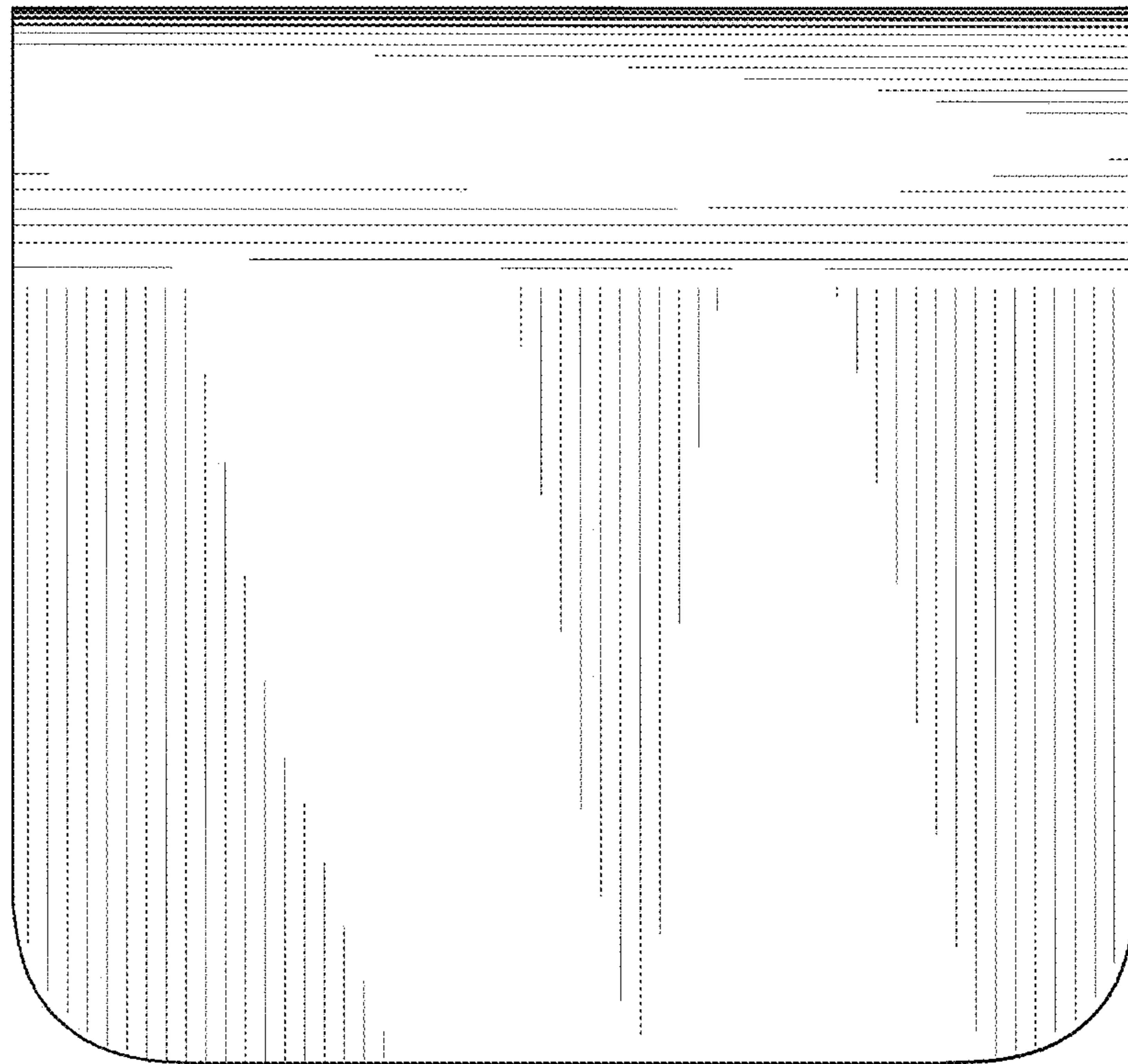


Fig. 6

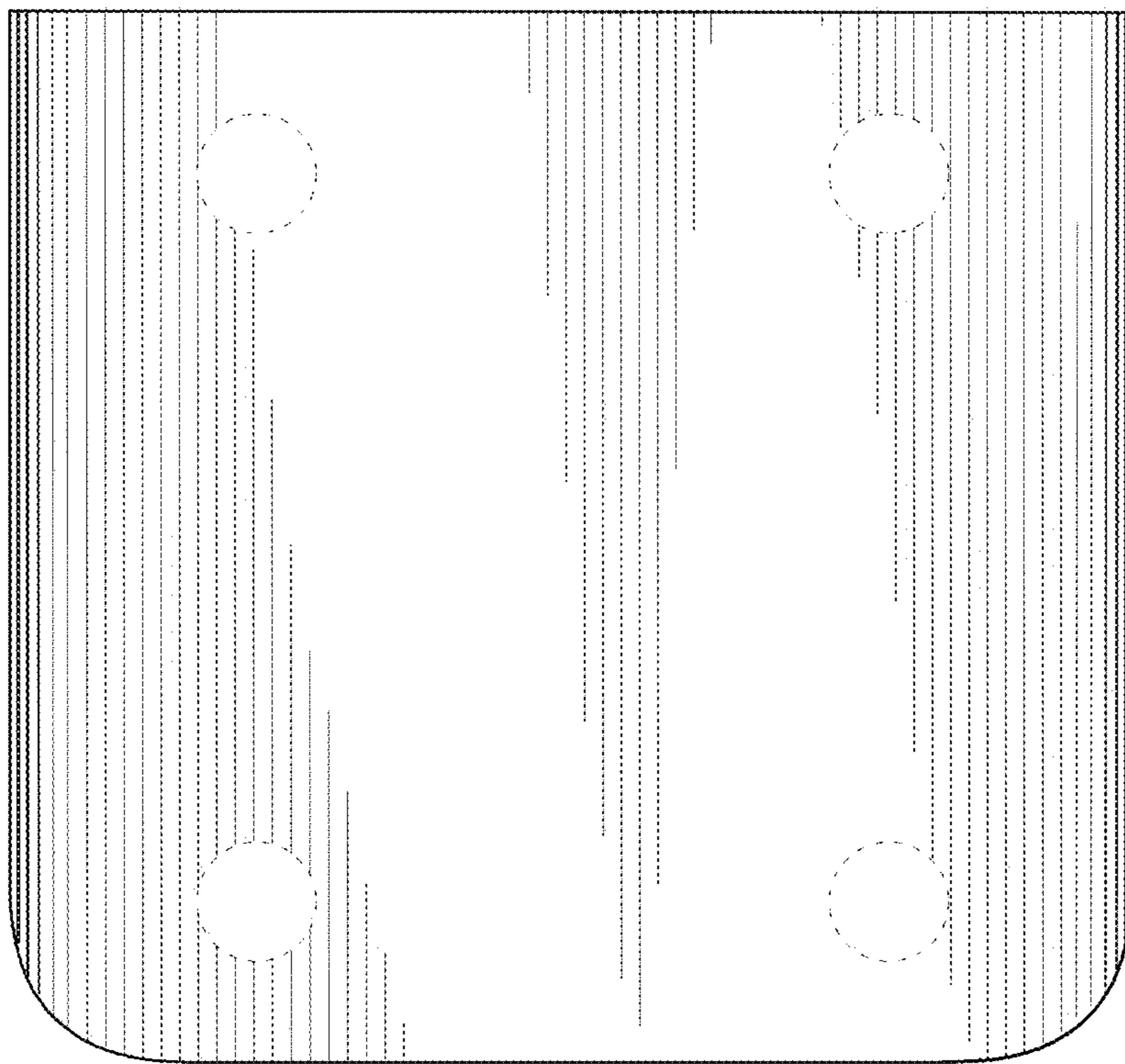


Fig. 7