



US00D753310S

(12) **United States Design Patent**
Thakar et al.

(10) **Patent No.:** **US D753,310 S**
(45) **Date of Patent:** **** Apr. 5, 2016**

(54) **MEDICAL TROLLEY**

(56) **References Cited**

(71) Applicant: **KONINKLIJKE PHILIPS N.V.**,
Eindhoven (NL)
(72) Inventors: **Prasad P. Thakar**, Bangalore (IN);
Praveen Narayan Mareguddi,
Bangalore (IN); **Narayan Ayyakad**
Krishnan, Bangalore (IN); **Kumara**
Sanjaya, Bangalore (IN)
(73) Assignee: **KONINKLIJKE PHILIPS N.V.**,
Eindhoven (NL)

U.S. PATENT DOCUMENTS

D286,922	S	*	11/1986	Takigawa	D28/9
D477,082	S	*	7/2003	Bromley	D24/170
D561,342	S	*	2/2008	Zimmer	D24/185
D568,258	S	*	5/2008	Adam	D13/163
D613,867	S	*	4/2010	Tanaka et al.	D24/185
D629,523	S	*	12/2010	Porter et al.	D24/185
D672,046	S	*	12/2012	Fuster	D24/200
D702,842	S	*	4/2014	Hyde et al.	D24/185
D708,748	S	*	7/2014	Lei	D24/158
D722,381	S	*	2/2015	Mareguddi et al.	D24/163
2013/0324896	A1	*	12/2013	Farese et al.	601/152
2014/0194789	A1	*	7/2014	Ko	601/18

(**) Term: **14 Years**

* cited by examiner

(21) Appl. No.: **29/508,049**

Primary Examiner — Holly Baynham

(22) Filed: **Nov. 3, 2014**

Assistant Examiner — Rhea Shields

(30) **Foreign Application Priority Data**

(57) **CLAIM**

May 7, 2014 (EM) 002459008-0001

The ornamental design for a medical trolley, as shown and described.

(51) **LOC (10) Cl.** **24-00**

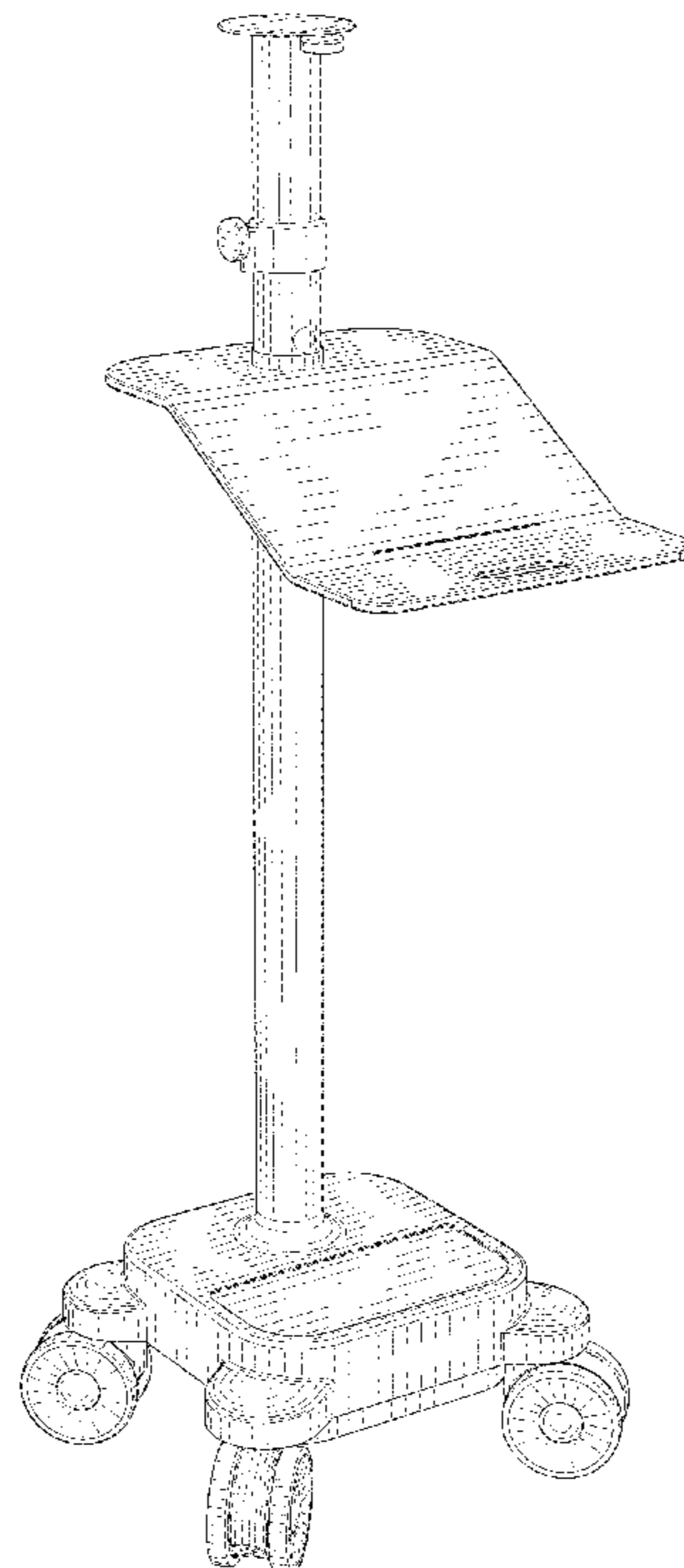
DESCRIPTION

(52) **U.S. Cl.**
USPC **D24/185**

(58) **Field of Classification Search**
USPC D24/185, 144, 158, 187, 188, 200, 234,
D24/170, 206, 133; D28/9; D13/163;
601/152, 18; 604/15, 542; 607/102, 90;
606/9, 14
CPC .. A61H 9/0078; A61H 23/0218; A61F 13/26;
A61M 2202/08; A61B 18/1815; A61N 5/06
See application file for complete search history.

FIG. 1 is a perspective view showing my design;
FIG. 2 is a front elevational view thereof;
FIG. 3 is a rear elevational view thereof;
FIG. 4 is a right side elevational view thereof;
FIG. 5 is a left side elevational view thereof;
FIG. 6 is a top plan view thereof; and,
FIG. 7 is a bottom plan view thereof.

1 Claim, 6 Drawing Sheets



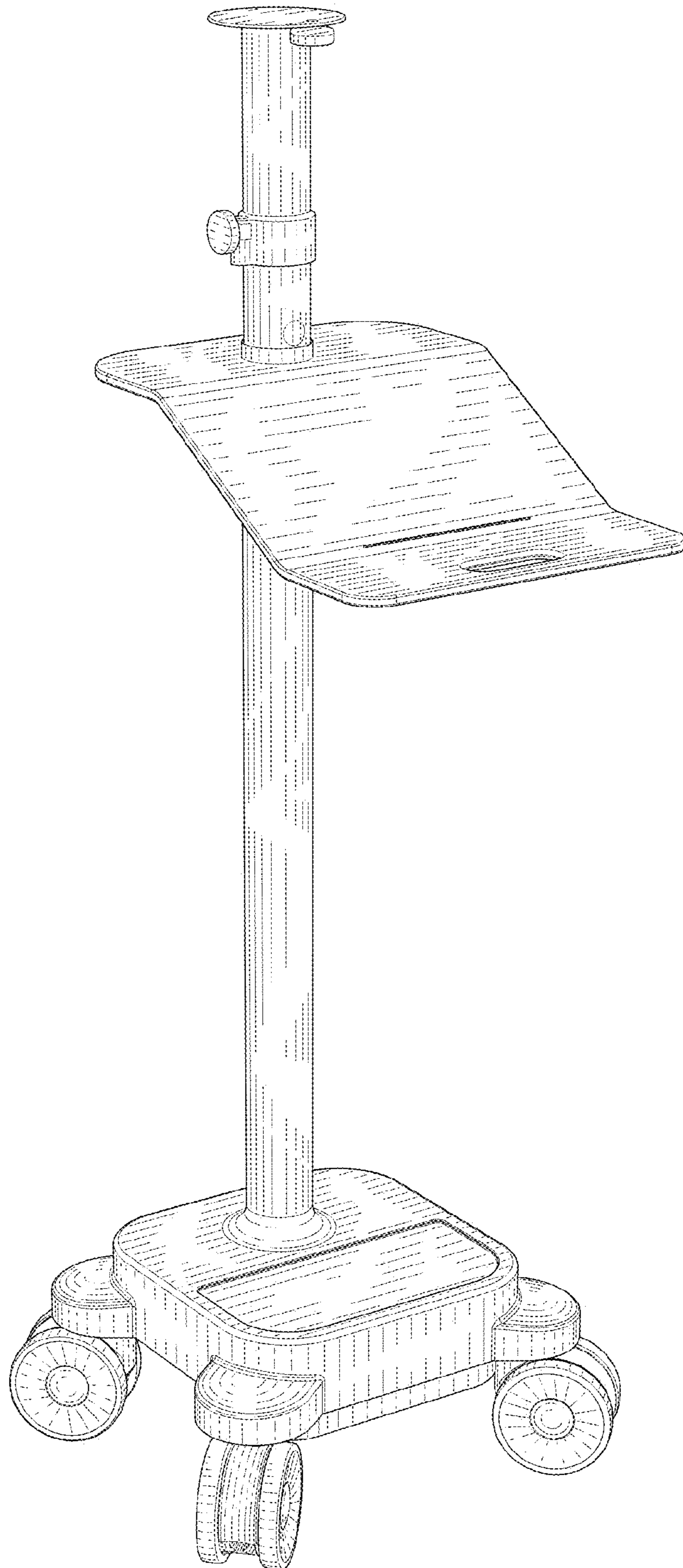


FIG. 1

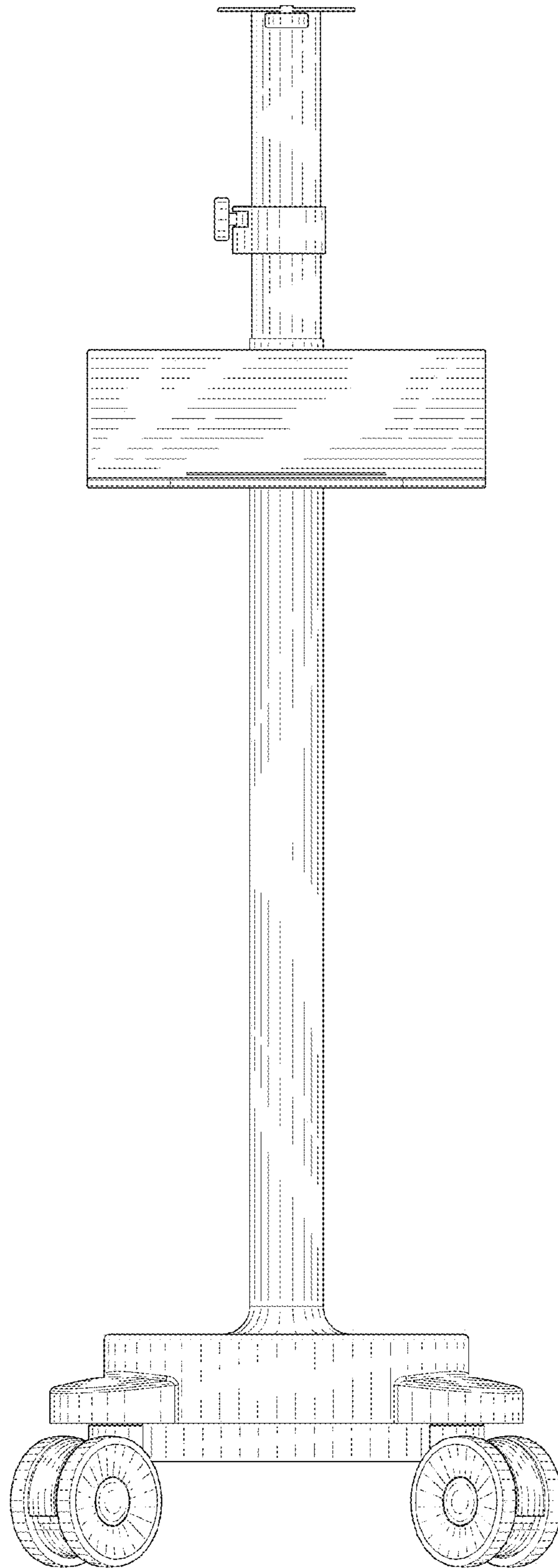


FIG. 2

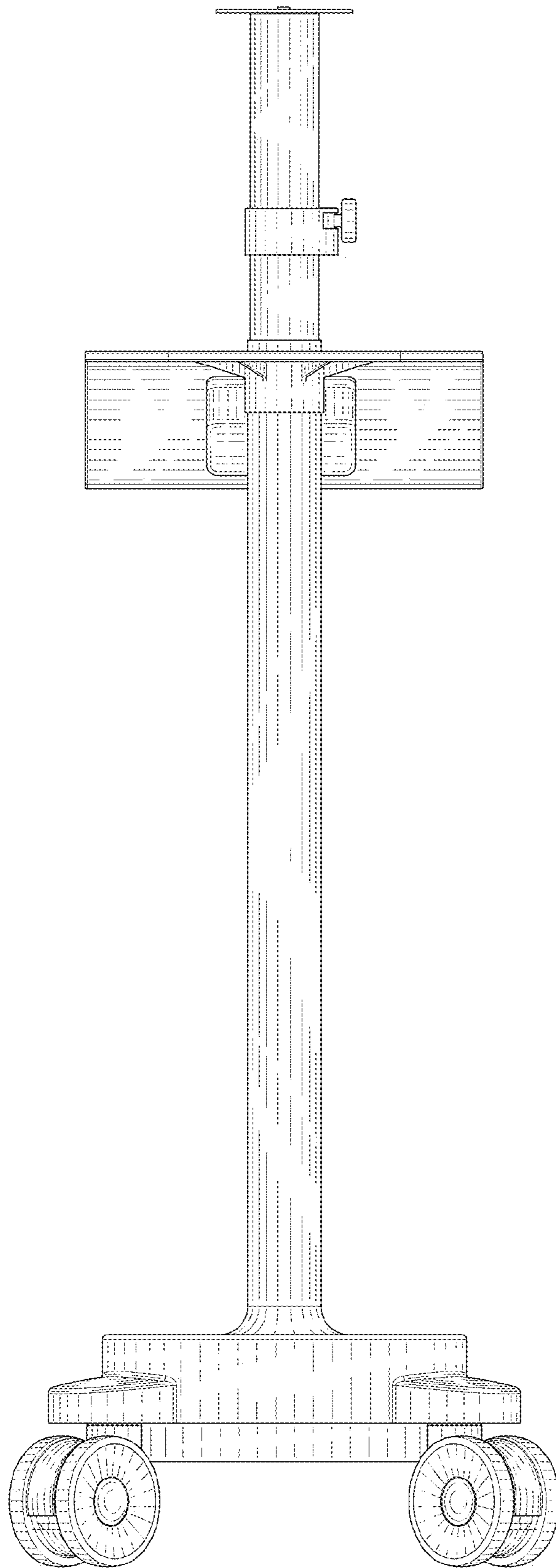


FIG. 3

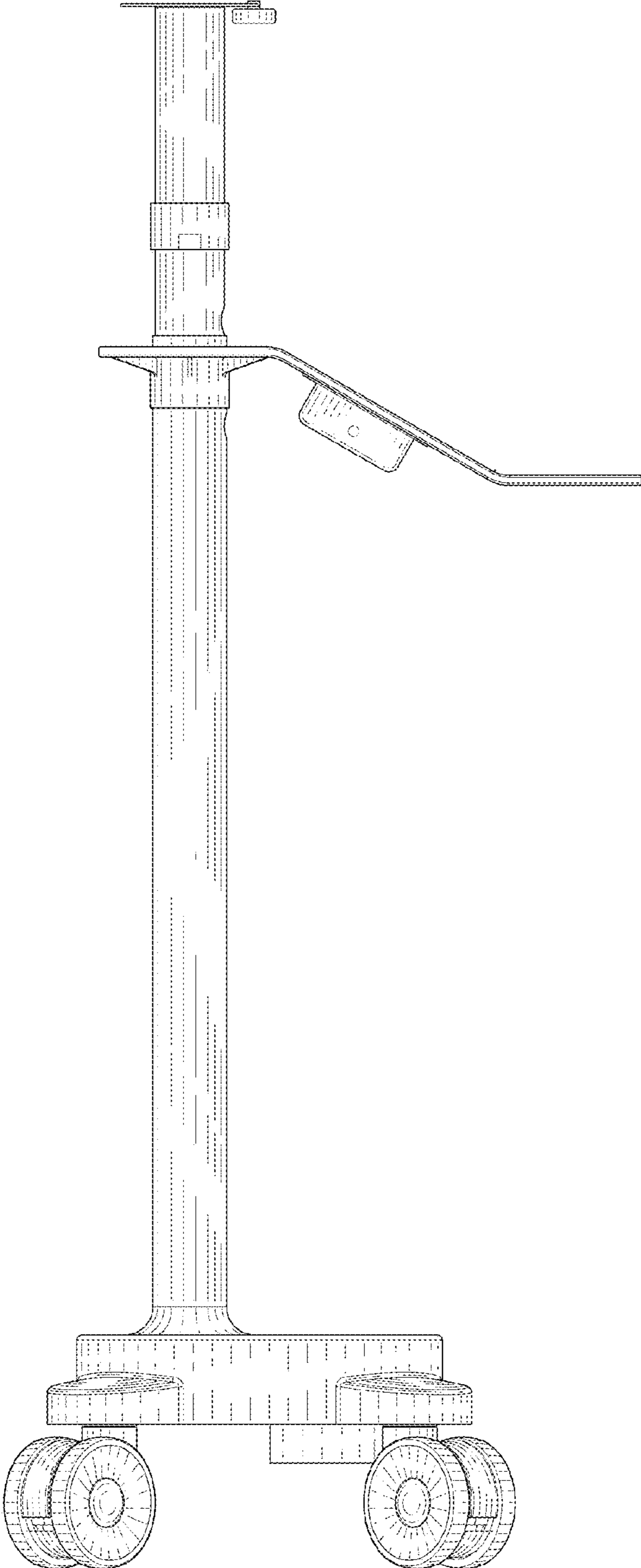


FIG. 4

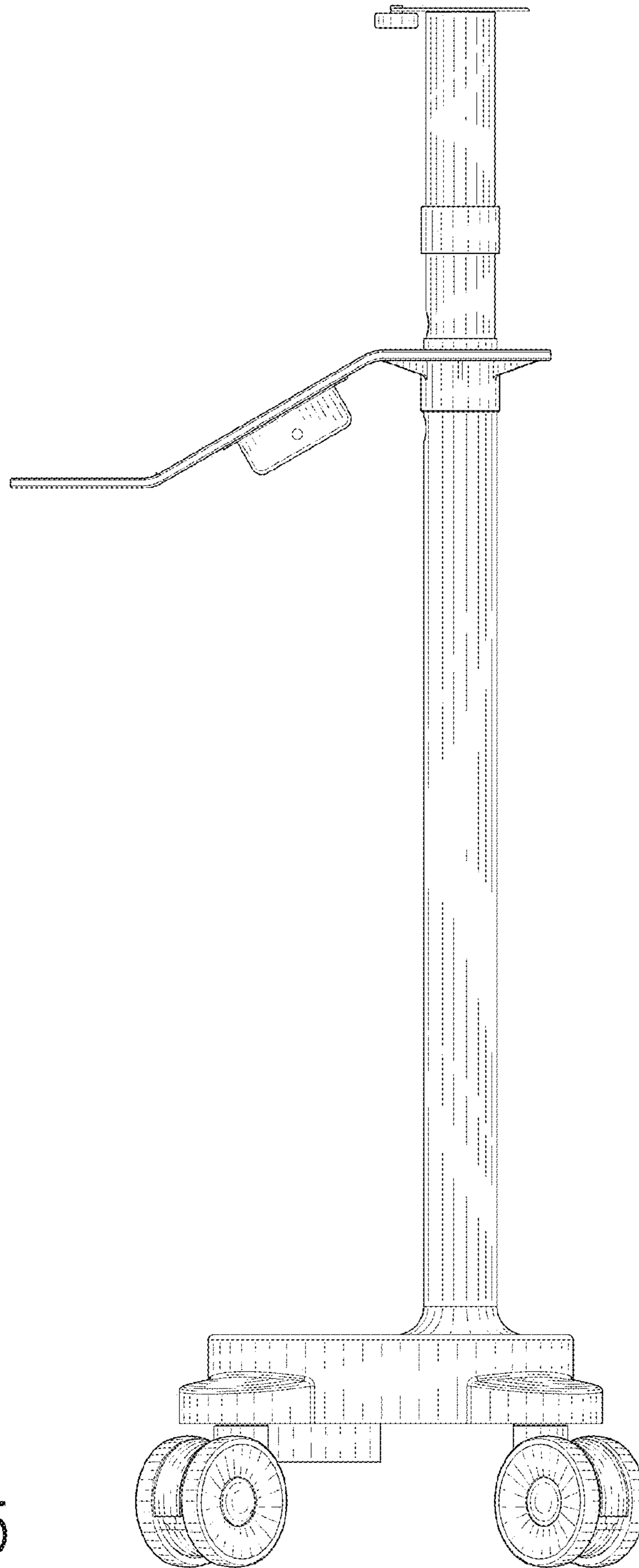


FIG. 5

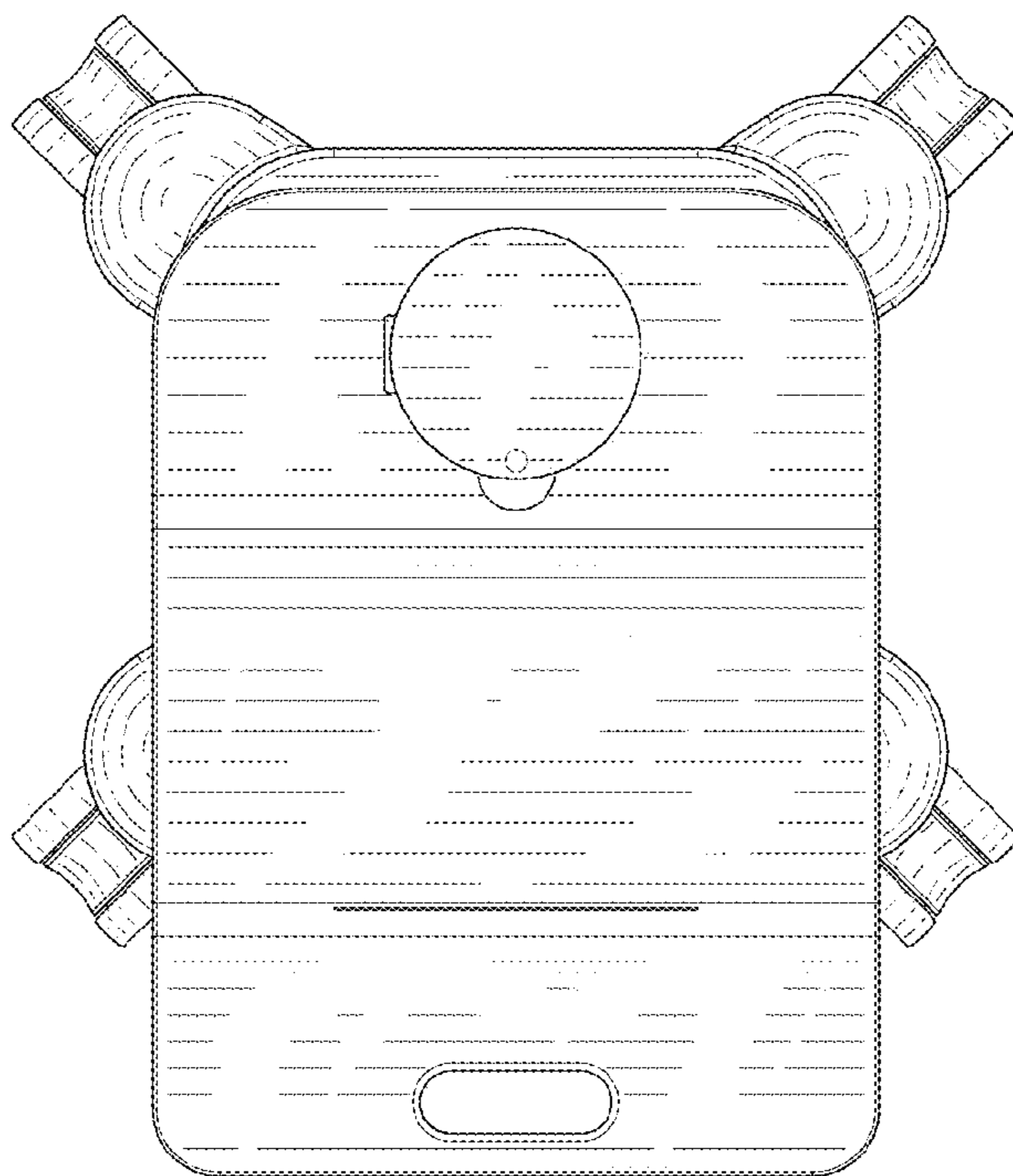


FIG. 6

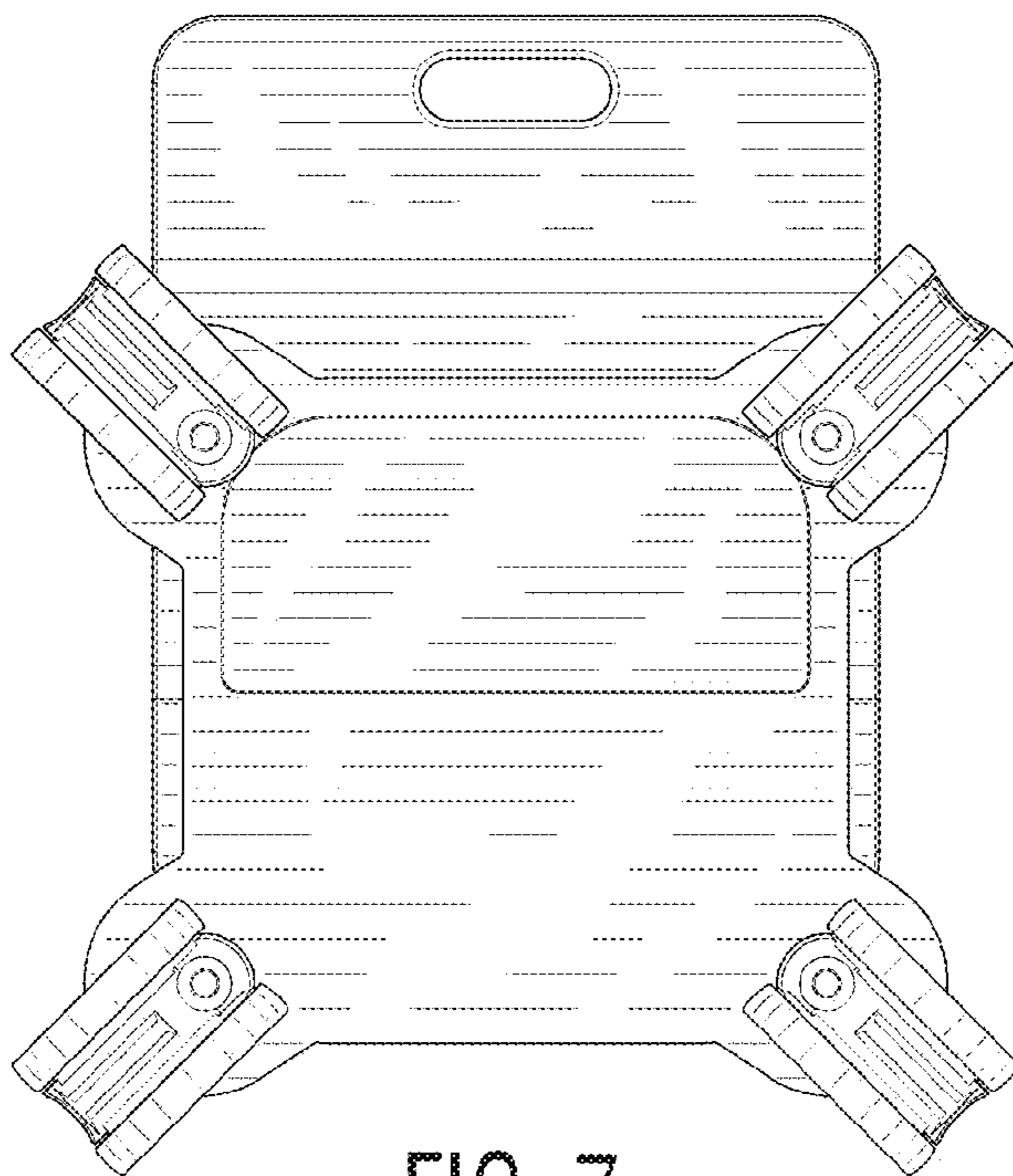


FIG. 7