



US00D753309S

(12) **United States Design Patent**  
**Yabe et al.**

(10) **Patent No.:** **US D753,309 S**  
(45) **Date of Patent:** **\*\* Apr. 5, 2016**

- (54) **SLIT LAMP**
- (71) Applicant: **KOWA COMPANY, LTD.**, Aichi-ken (JP)
- (72) Inventors: **Shouta Yabe**, Tokyo (JP); **Yuuki Arai**, Tokyo (JP); **Naoki Kambe**, Kanagawa (JP)
- (73) Assignee: **KOWA COMPANY, LTD.**, Aichi-Ken (JP)
- (\*\*) Term: **14 Years**
- (21) Appl. No.: **29/483,216**
- (22) Filed: **Feb. 26, 2014**
- (30) **Foreign Application Priority Data**  
  - Sep. 9, 2013 (JP) ..... 2013-020828
- (51) **LOC (10) Cl.** ..... **24-00**
- (52) **U.S. Cl.**  
USPC ..... **D24/172**
- (58) **Field of Classification Search**  
USPC ..... D24/172, 185, 231; 606/13, 4, 6, 406;  
351/200, 221, 208, 215  
See application file for complete search history.
- (56) **References Cited**  

U.S. PATENT DOCUMENTS

  - 3,828,788 A \* 8/1974 Krasnov et al. .... 606/4
  - D254,933 S \* 5/1980 Muller ..... D24/172
  - 4,735,209 A \* 4/1988 Foody ..... 600/406

- 4,736,744 A \* 4/1988 Koike et al. .... 606/4
- D295,556 S \* 5/1988 Speaker ..... D24/172
- 4,759,360 A \* 7/1988 Nakanishi et al. .... 606/6
- 5,000,562 A \* 3/1991 Ichihashi et al. .... 351/221
- 5,024,520 A \* 6/1991 Akiyama ..... 351/221
- D327,024 S \* 6/1992 Elie ..... D10/46
- 5,141,304 A \* 8/1992 Ichihashi ..... 351/221
- 5,202,709 A \* 4/1993 Ichihashi et al. .... 351/208
- 5,204,705 A \* 4/1993 Akiyama et al. .... 351/221
- 5,355,186 A \* 10/1994 Akiyama ..... 351/215
- 5,425,729 A \* 6/1995 Ishida et al. .... 606/13
- D435,658 S \* 12/2000 Lobel et al. .... D24/172
- 6,364,484 B2 \* 4/2002 Yamada ..... 351/200
- D571,918 S \* 6/2008 Mordaunt et al. .... D24/172
- D614,774 S \* 4/2010 Gausmann et al. .... D24/172

\* cited by examiner

*Primary Examiner* — Holly Baynham  
*Assistant Examiner* — Rhea Shields

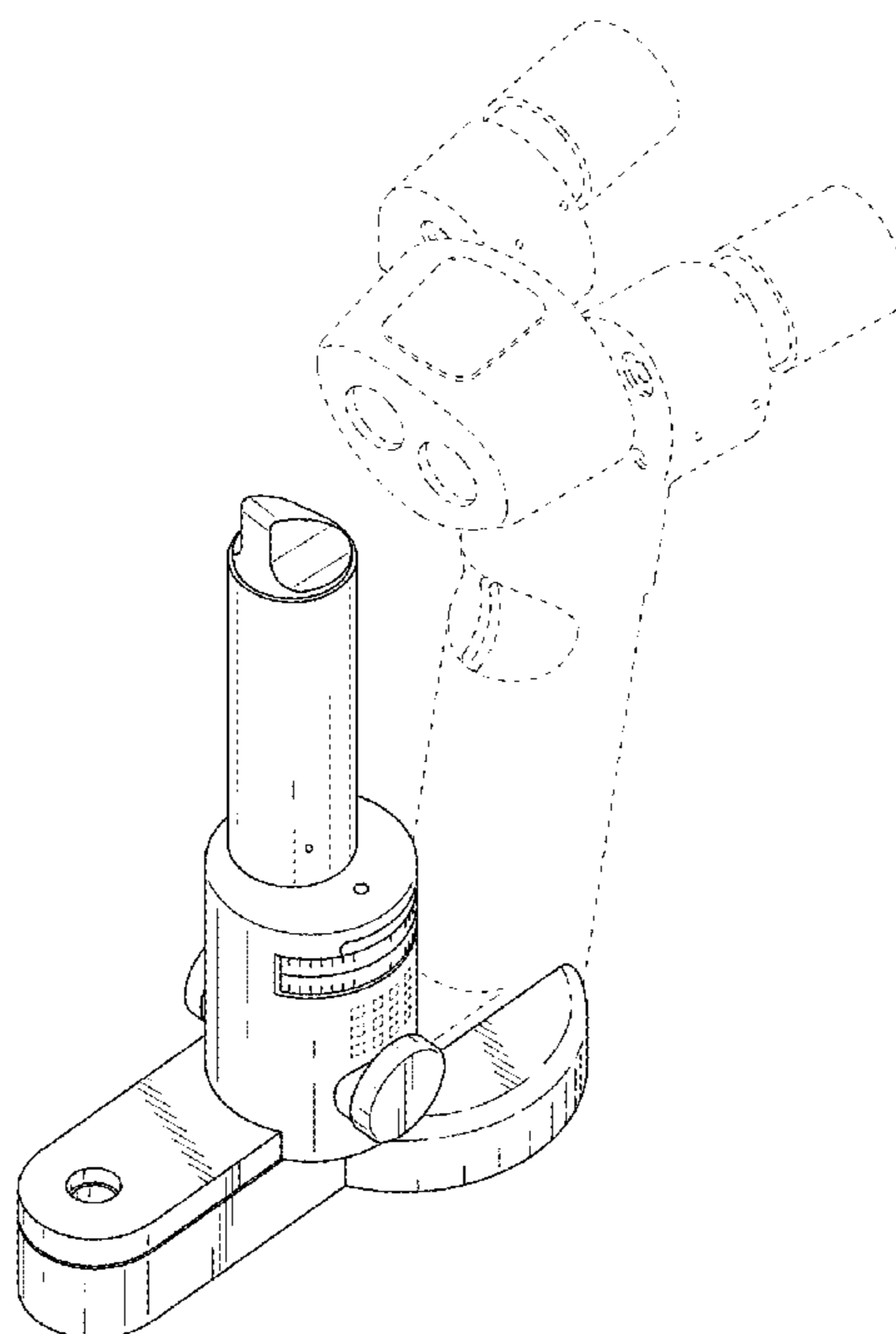
(74) *Attorney, Agent, or Firm* — Bacon & Thomas, PLLC

(57) **CLAIM**  
The ornamental design for slit lamp, as shown and described.

**DESCRIPTION**

FIG. 1 is a perspective view of the slit lamp;  
FIG. 2 is a front view thereof;  
FIG. 3 is a rear view thereof;  
FIG. 4 is a top plan view thereof;  
FIG. 5 is a bottom plan view thereof;  
FIG. 6 is a right side view thereof; and,  
FIG. 7 is a left side view thereof.  
In the drawings, the broken lines depict unclaimed subject matter only and form no part of the claimed design.

**1 Claim, 4 Drawing Sheets**



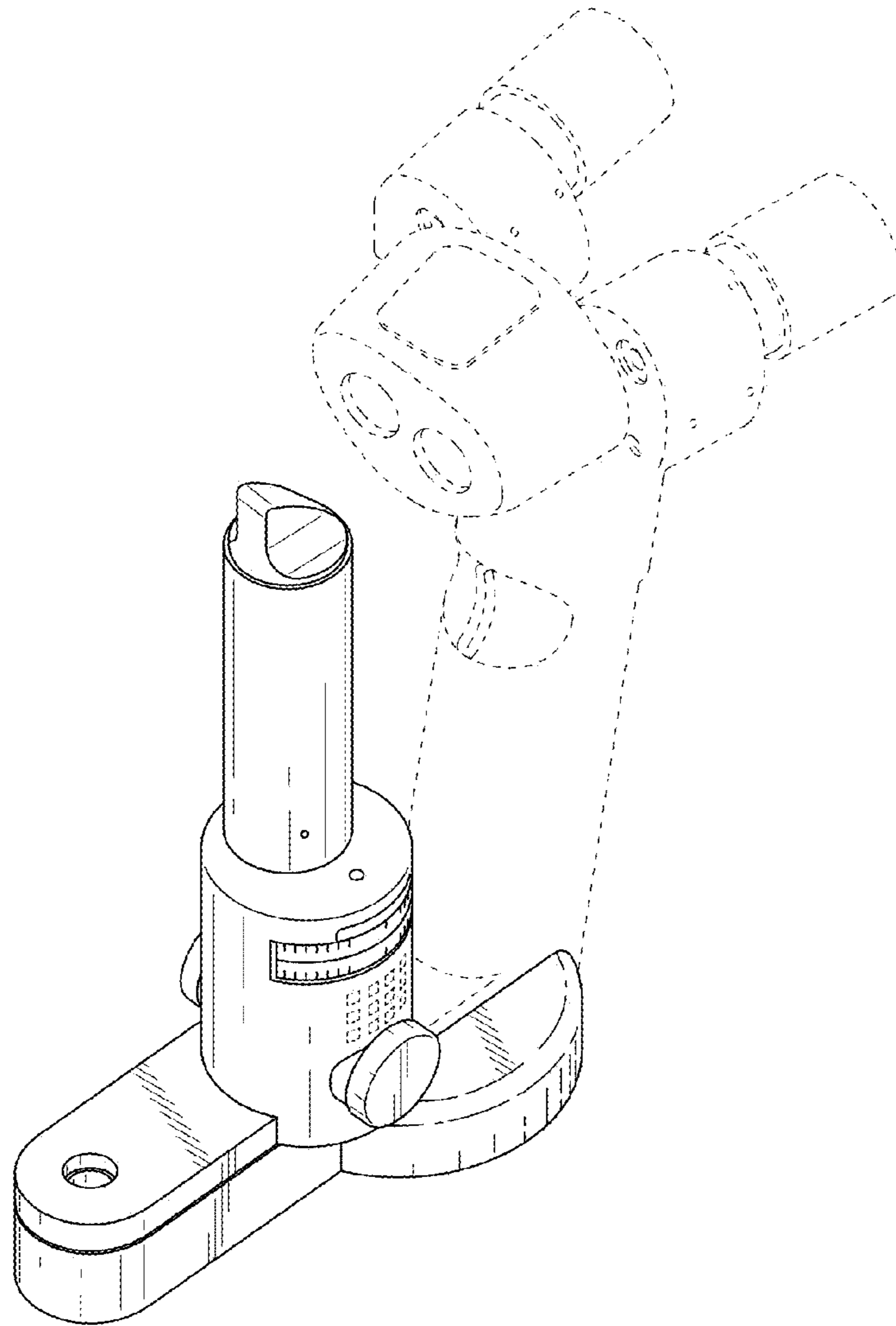


FIG. 1

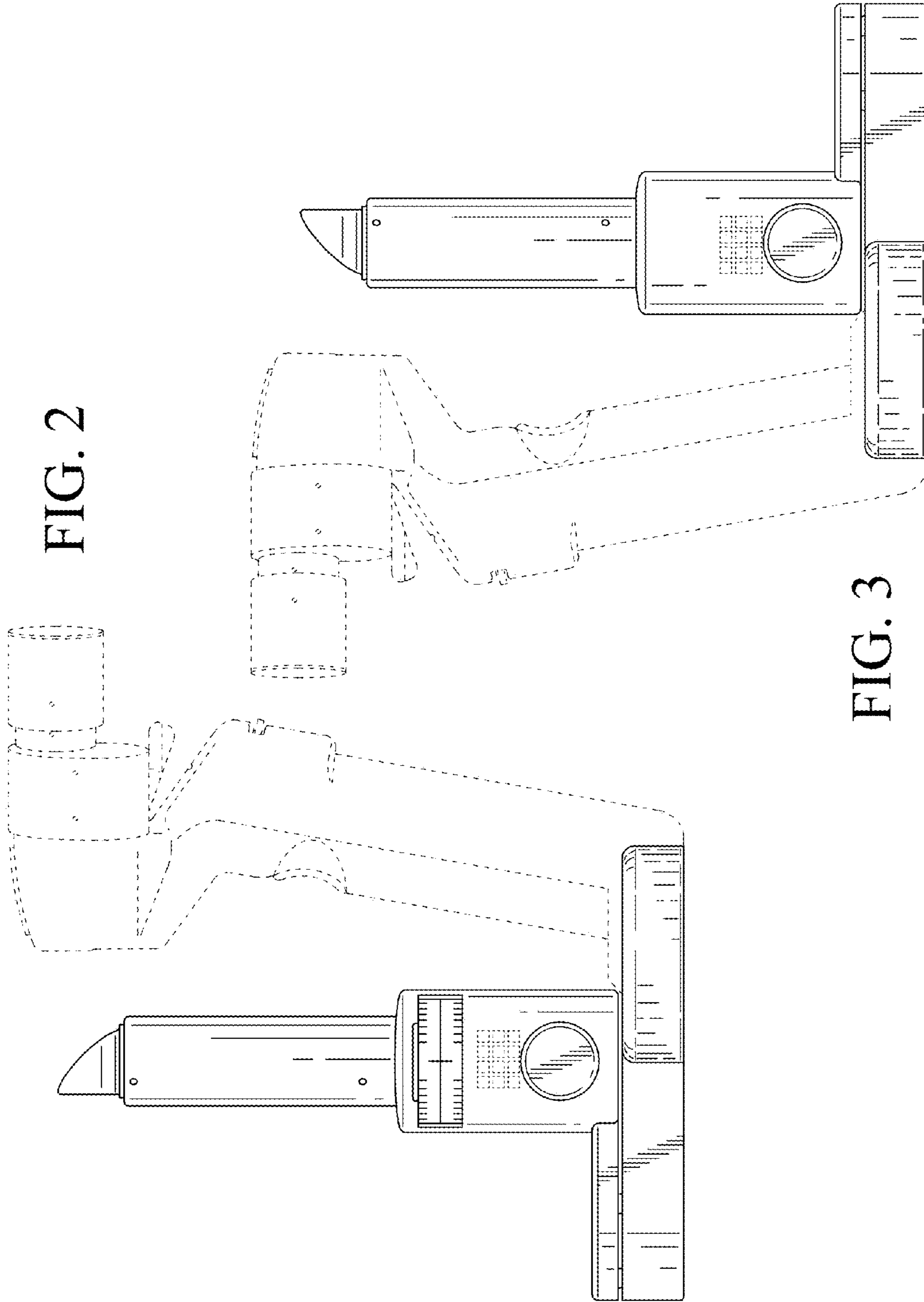


FIG. 2

FIG. 3

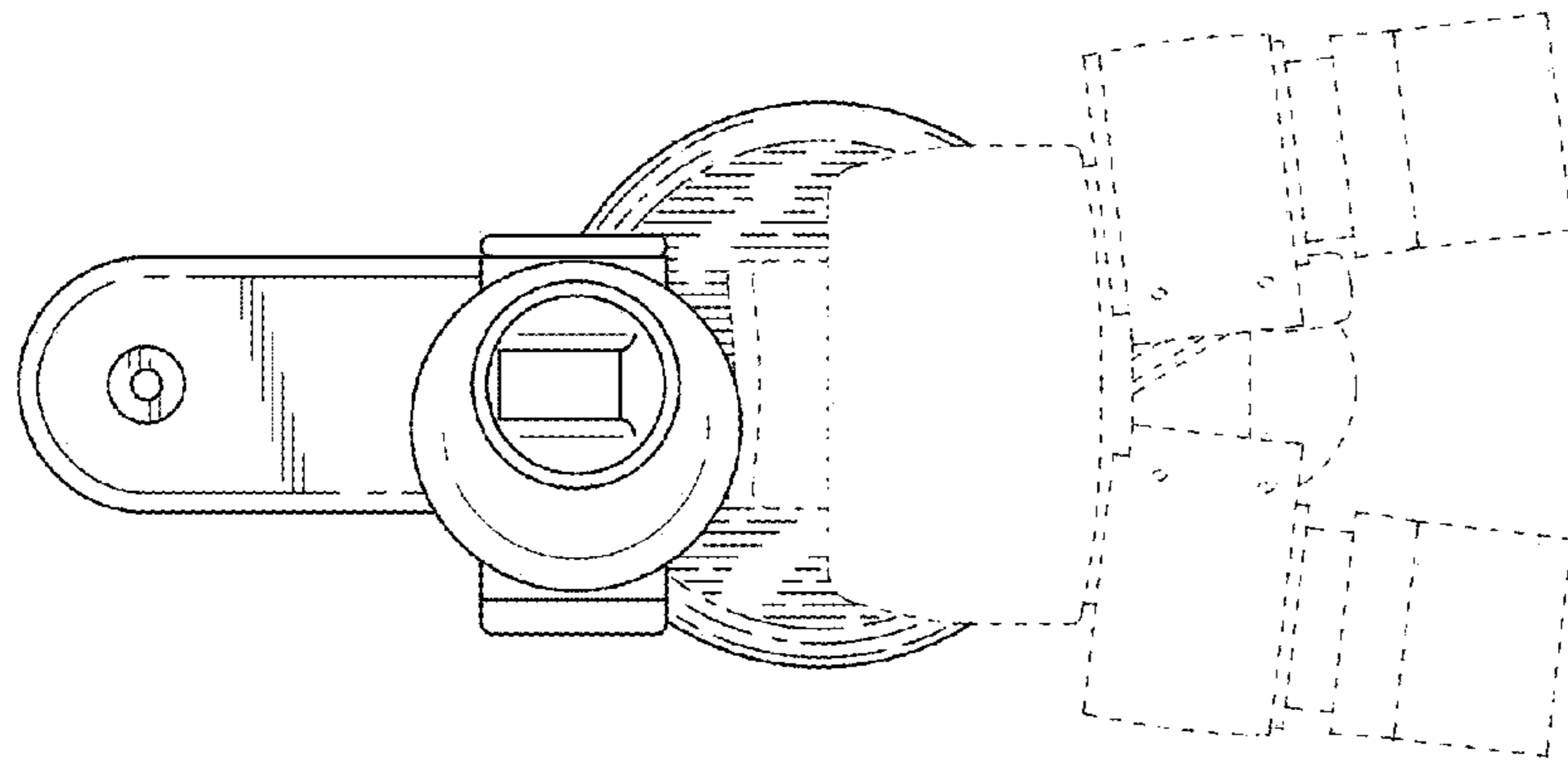


FIG. 4

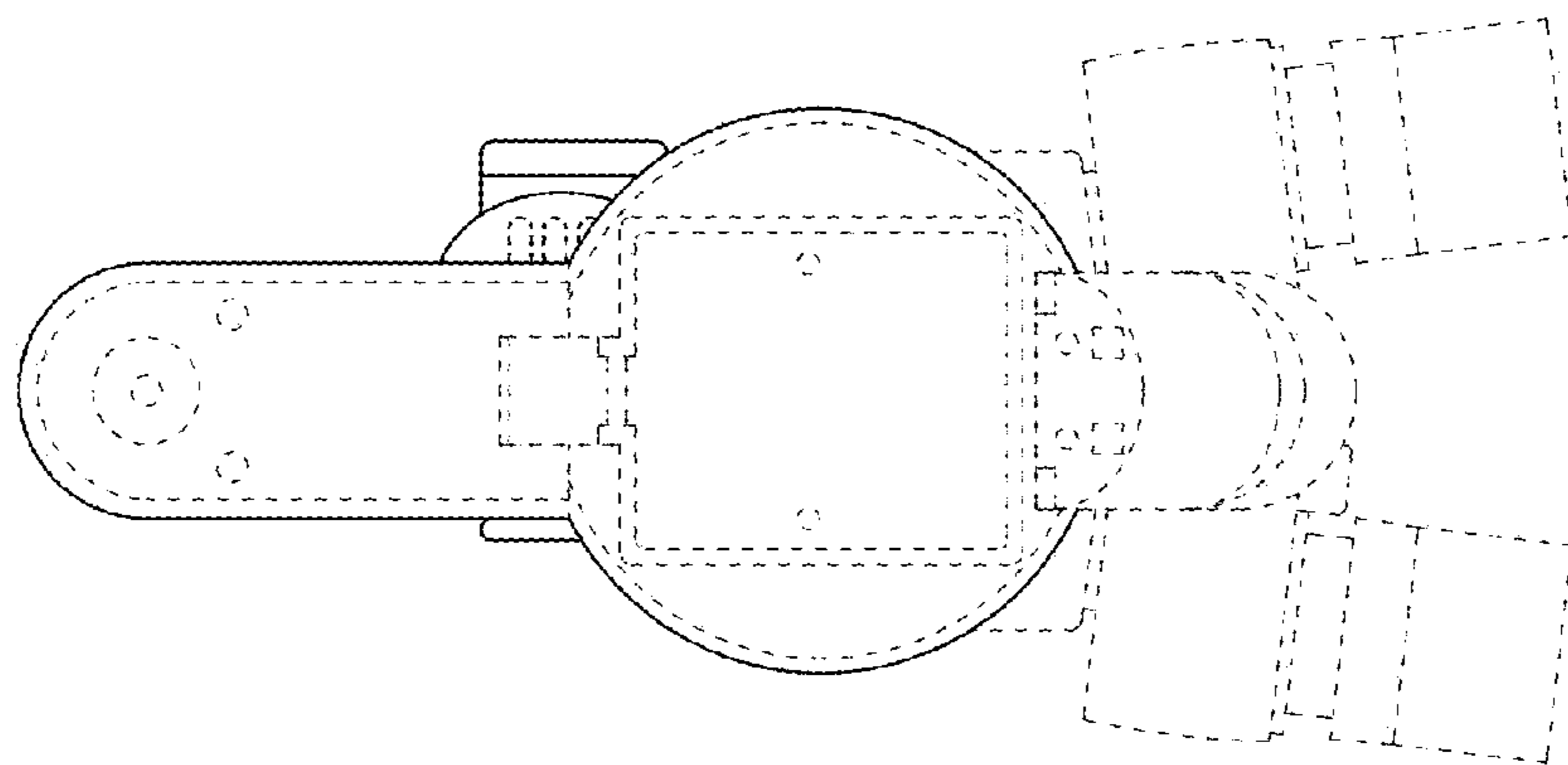


FIG. 5

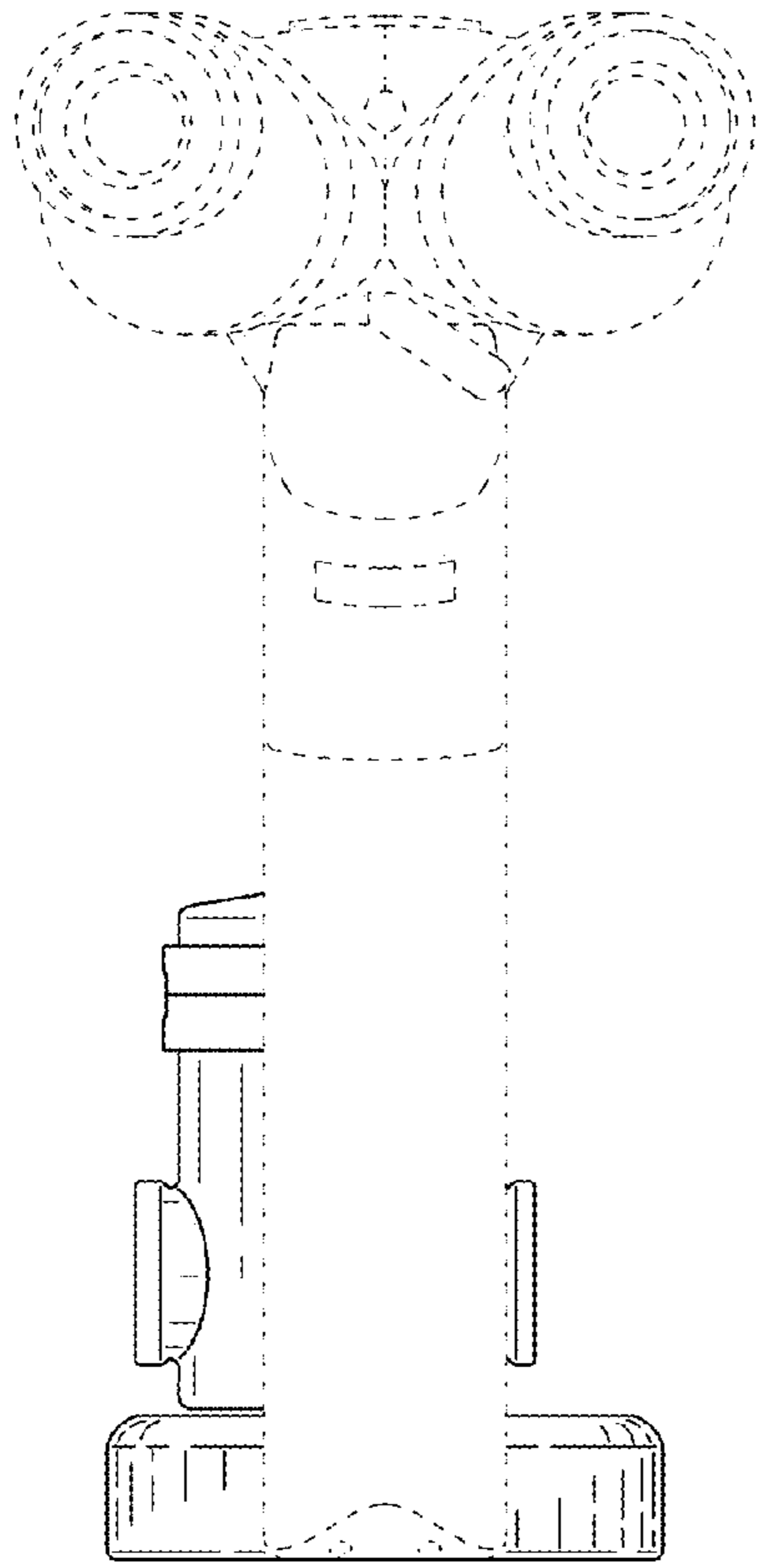


FIG. 6

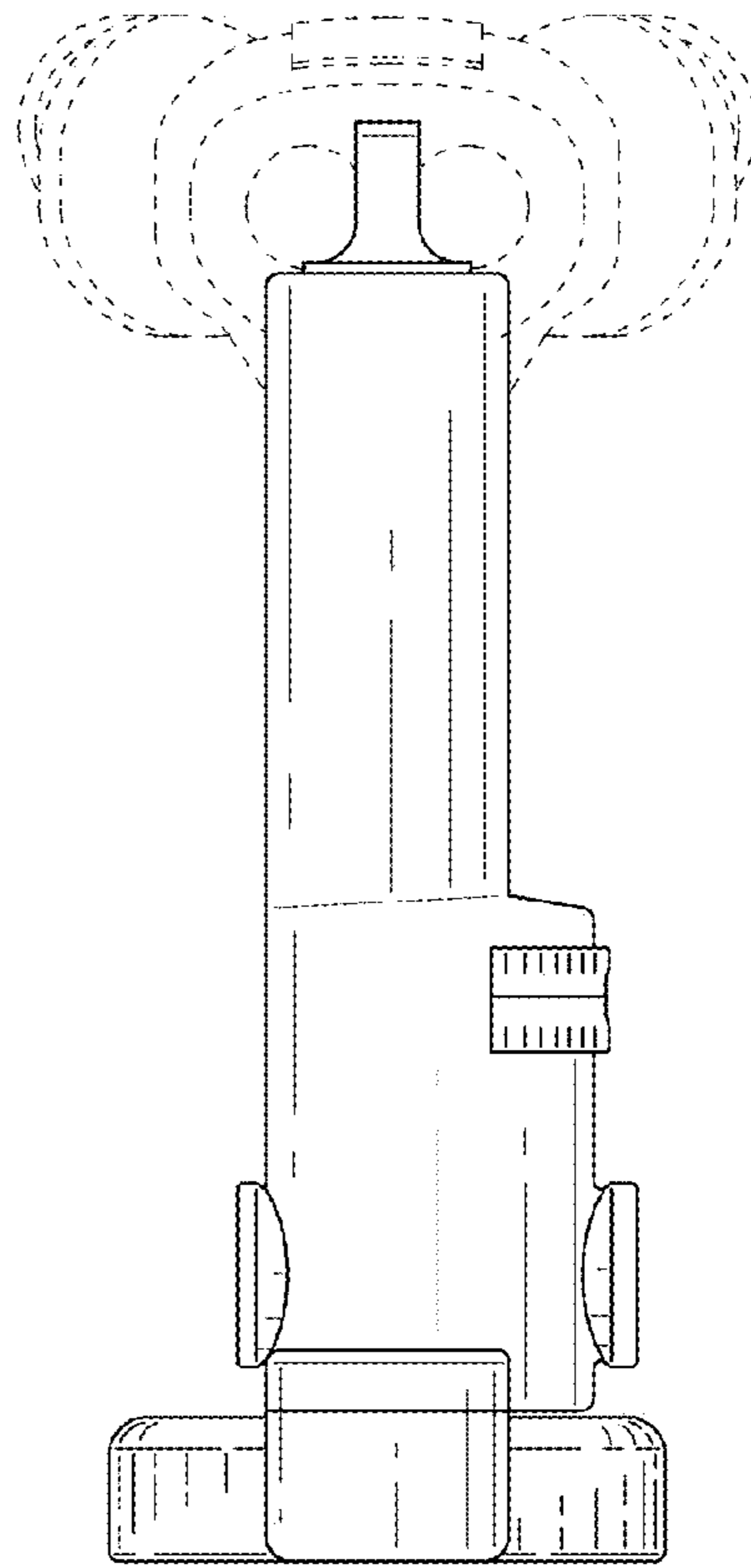


FIG. 7