



US00D753308S

(12) **United States Design Patent**  
**Marinkovich et al.**

(10) **Patent No.:** **US D753,308 S**  
(45) **Date of Patent:** **\*\* Apr. 5, 2016**

(54) **PORTABLE SKIN IMAGING DEVICE**

(71) Applicant: **MySkin, Inc.**, Jersey City, NJ (US)

(72) Inventors: **Sava Marinkovich**, Jersey City, NJ (US); **Rahul Mehendale**, Jersey City, NJ (US)

(73) Assignee: **MYSKIN, INC.**, Jersey City, NJ (US)

(\*\*) Term: **14 Years**

(21) Appl. No.: **29/496,682**

(22) Filed: **Jul. 16, 2014**

(51) **LOC (10) Cl.** ..... **24-01**

(52) **U.S. Cl.**  
USPC ..... **D24/158; D24/186**

(58) **Field of Classification Search**  
USPC ..... D24/158-161, 185, 186, 187, 107  
CPC ..... A61B 8/42; A61B 5/441; A61B 5/0064;  
A61B 5/0066

See application file for complete search history.

(56) **References Cited**

**U.S. PATENT DOCUMENTS**

D425,980 S *	5/2000	Last	.....	D24/107
D481,459 S *	10/2003	Nahm	.....	D24/186
D510,139 S *	9/2005	Gilad	.....	D24/158
D566,283 S *	4/2008	Brafford	.....	D24/186
D596,299 S *	7/2009	Han	.....	D24/186
D603,050 S *	10/2009	Chen	.....	D24/187
D621,515 S *	8/2010	Chua	.....	D24/186
D669,182 S *	10/2012	Prado	.....	D24/158
D677,793 S *	3/2013	Prpa	.....	D24/186
2010/0185064 A1 *	7/2010	Bandic	.....	A61B 5/411 600/306

\* cited by examiner

*Primary Examiner* — Anhdao Doan

(74) *Attorney, Agent, or Firm* — GTC Law Group PC & Affiliates

(57) **CLAIM**

The ornamental design for a portable skin imaging device, as shown and described.

**DESCRIPTION**

FIG. 1 is a top, front, right side perspective view of a portable skin imaging device showing an assembled embodiment of our new design;

FIG. 2 is a bottom, rear left side perspective view thereof;

FIG. 3 is a front view thereof;

FIG. 4 is a rear view thereof;

FIG. 5 is a left side view thereof;

FIG. 6 is a right side view thereof;

FIG. 7 is a top view thereof; and

FIG. 8 is a bottom view thereof;

FIG. 9 is a top, front, right side perspective view of the portable skin imaging device showing a disassembled embodiment of our new design;

FIG. 10 is a bottom, rear left side perspective view thereof;

FIG. 11 is a front view thereof;

FIG. 12 is a rear view thereof;

FIG. 13 is a left side view thereof;

FIG. 14 is a right side view thereof;

FIG. 15 is a top view thereof; and,

FIG. 16 is a bottom view thereof.

The broken lines immediately adjacent the shaded areas represent the bounds of the claim, and all other broken lines are directed to environmental subject matters. None of the broken lines form a part of the claimed design.

**1 Claim, 12 Drawing Sheets**

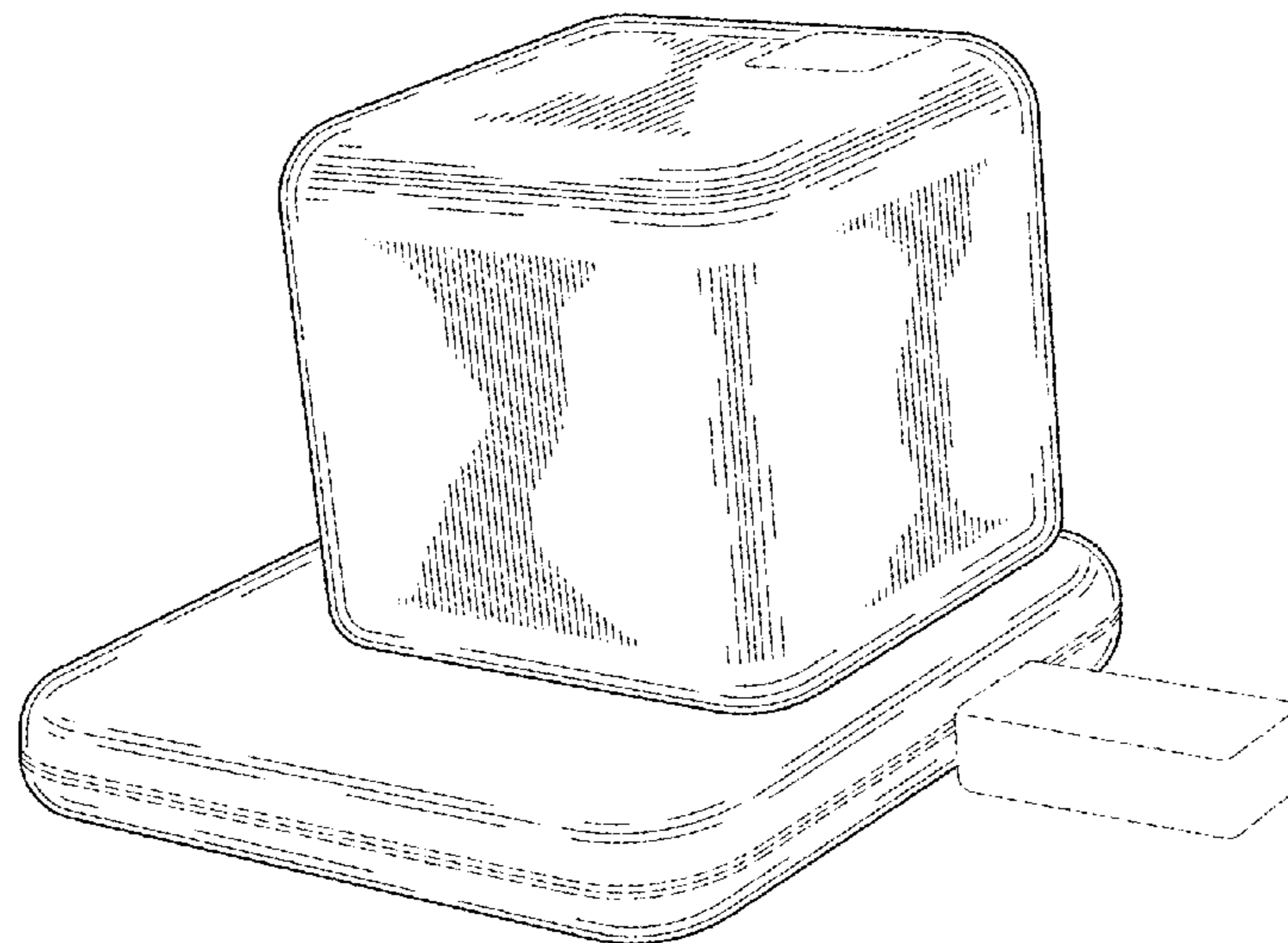


Fig. 1

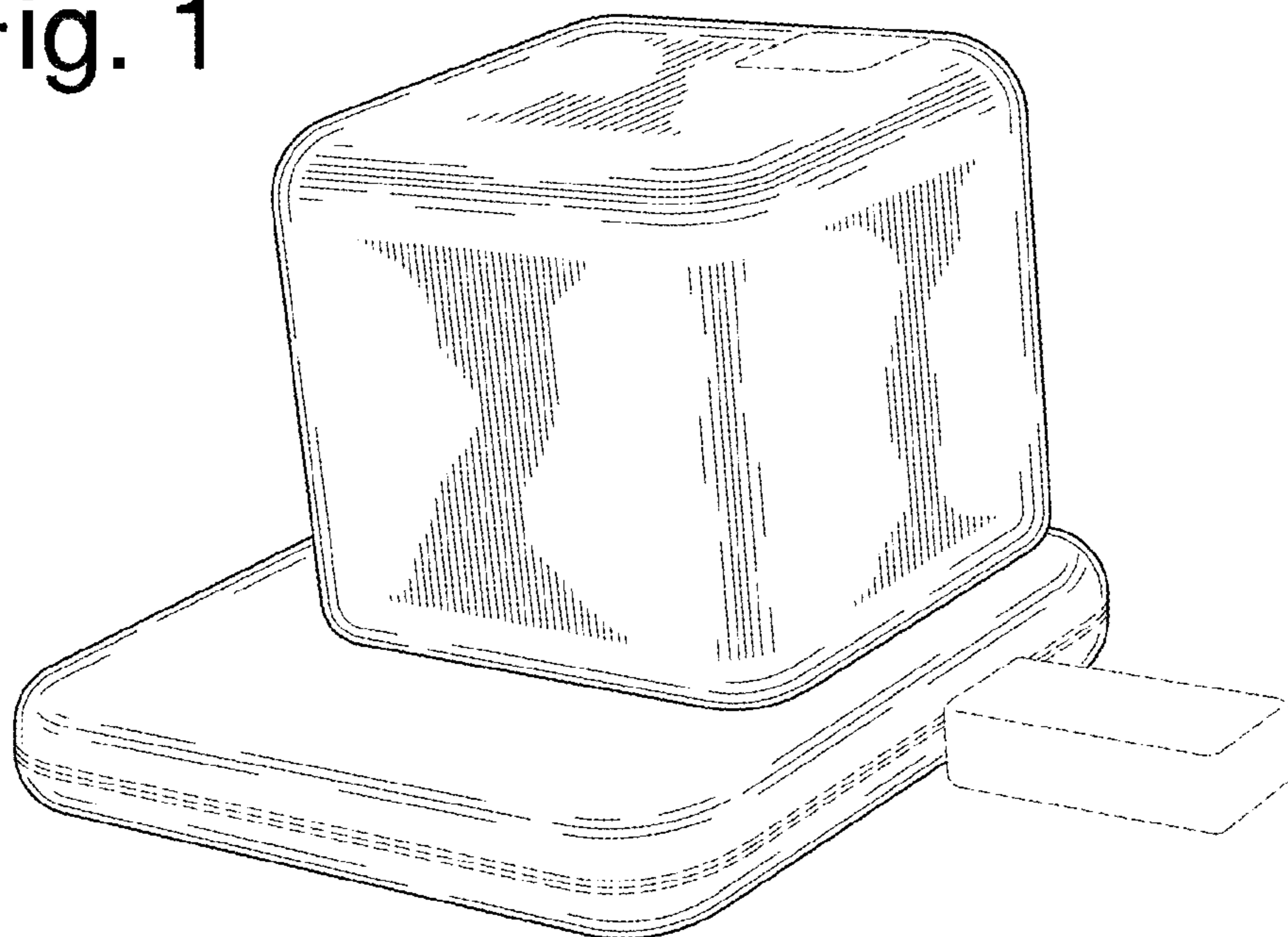


Fig. 2

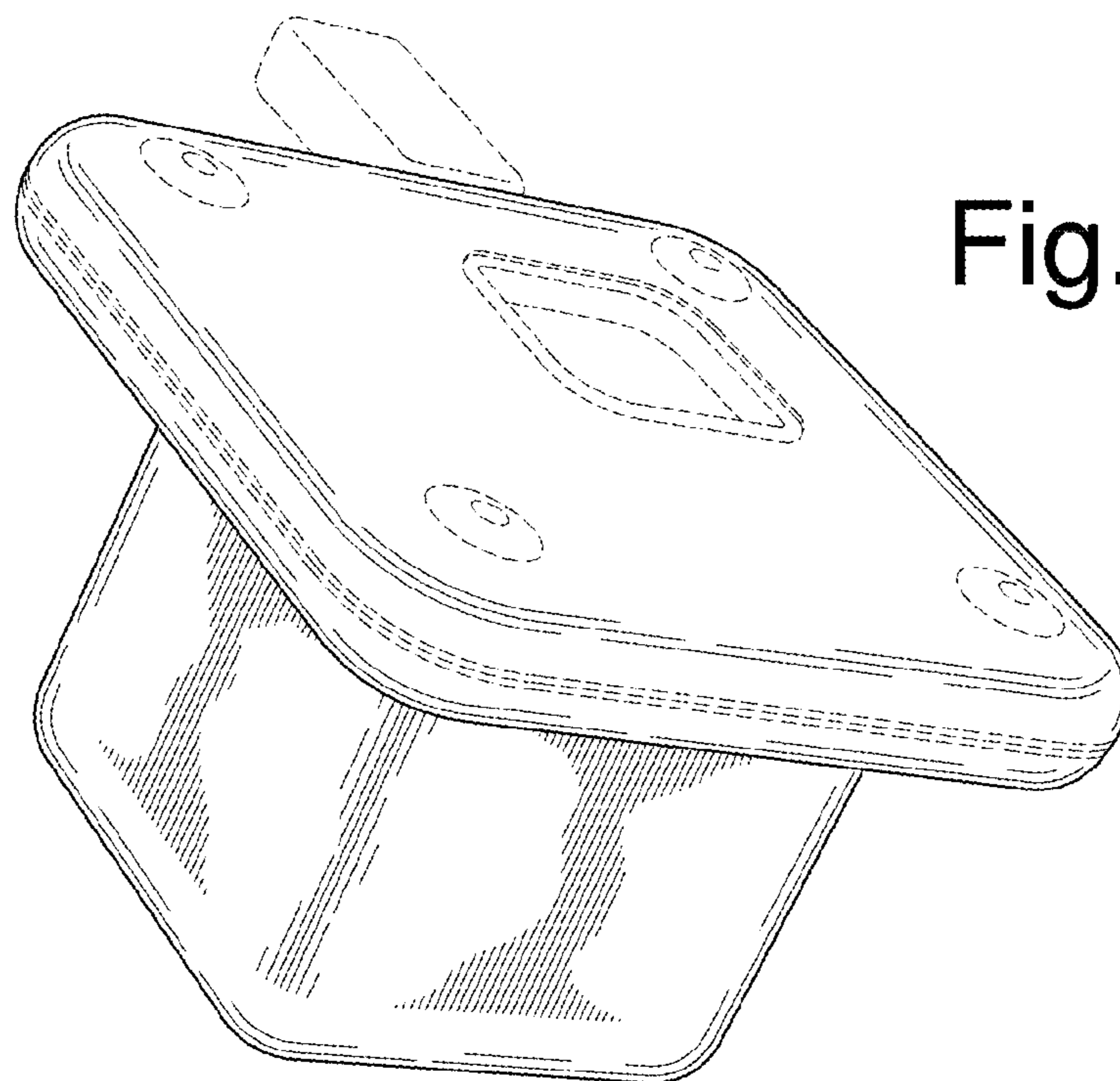


Fig. 3

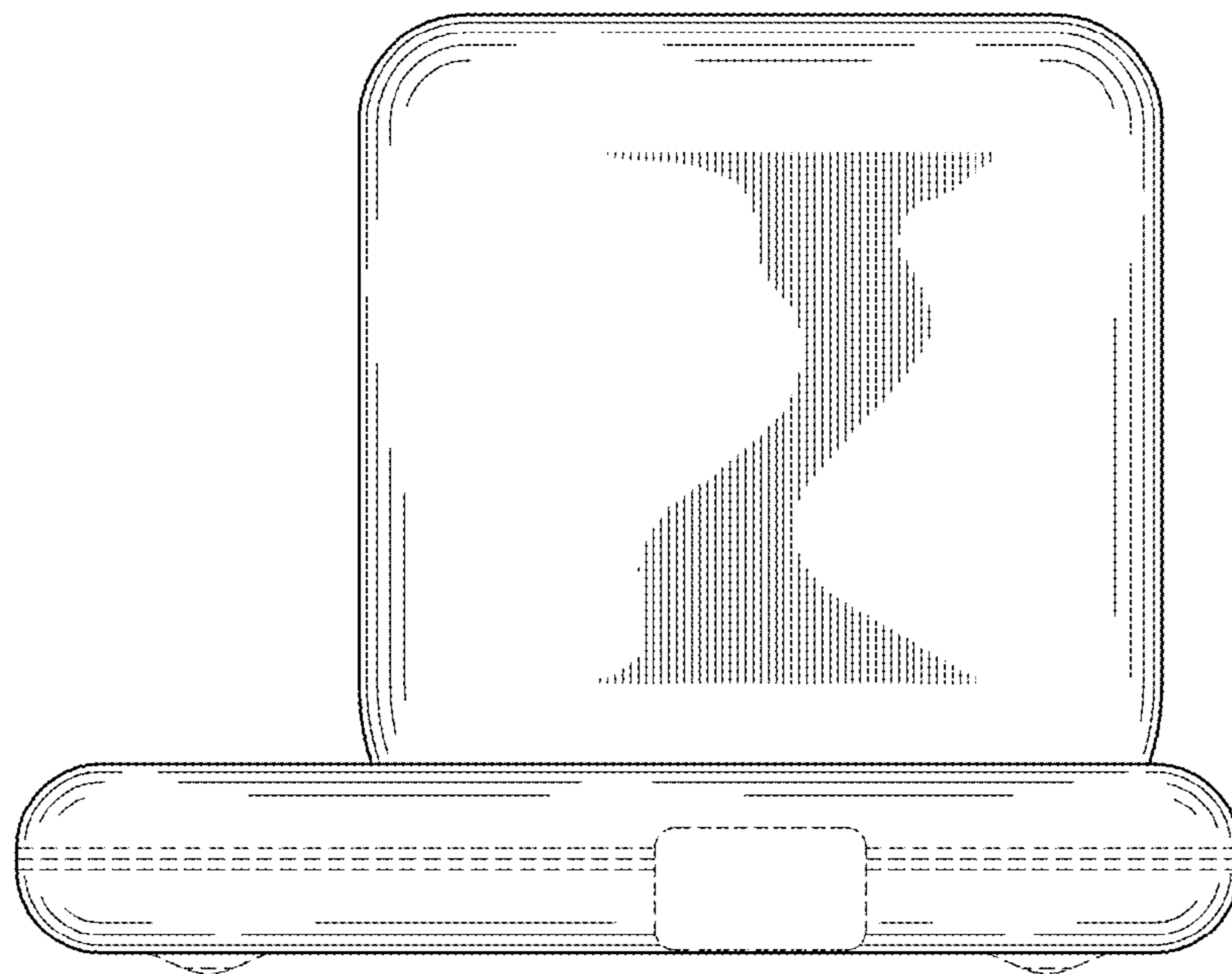


Fig. 4

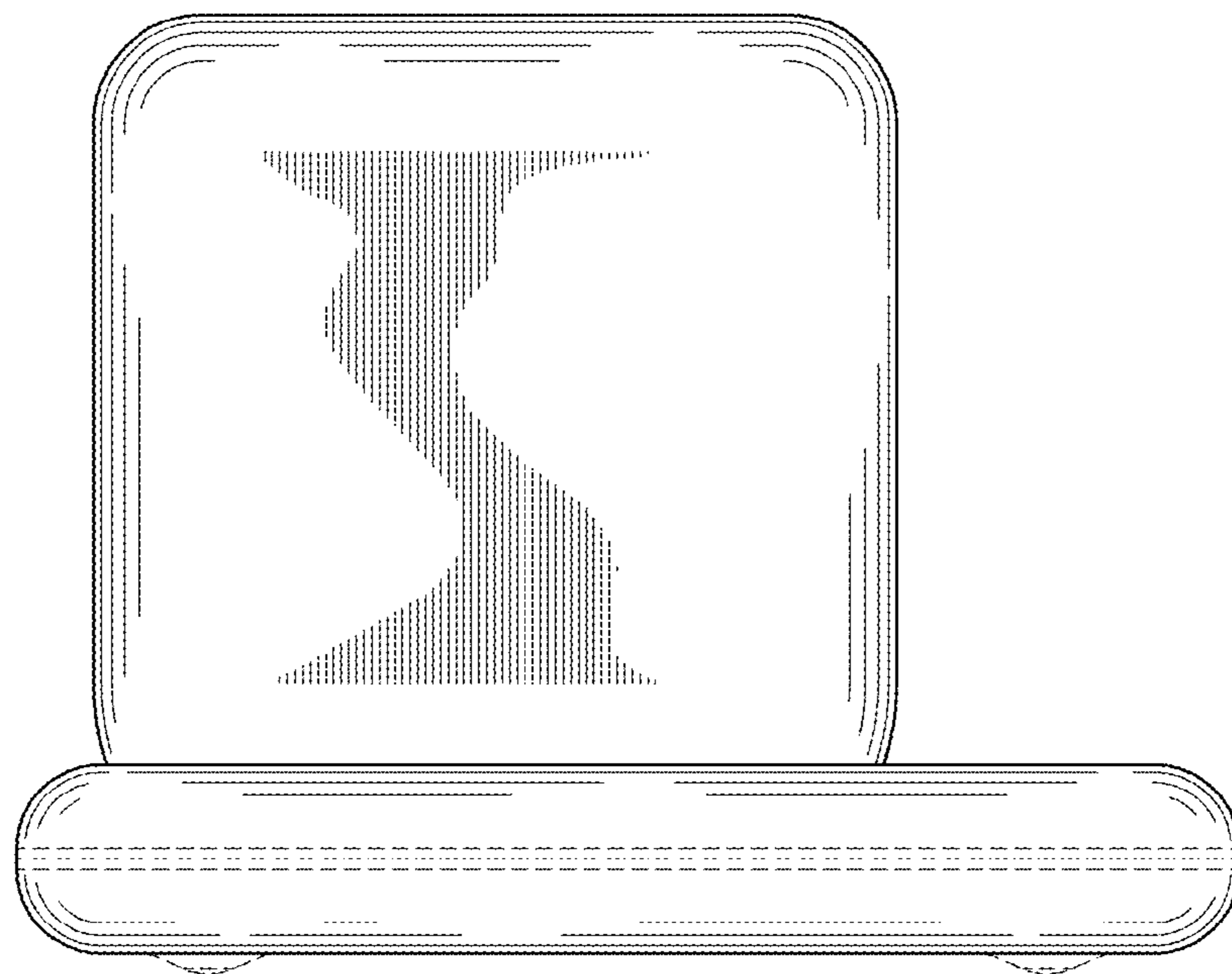


Fig. 5

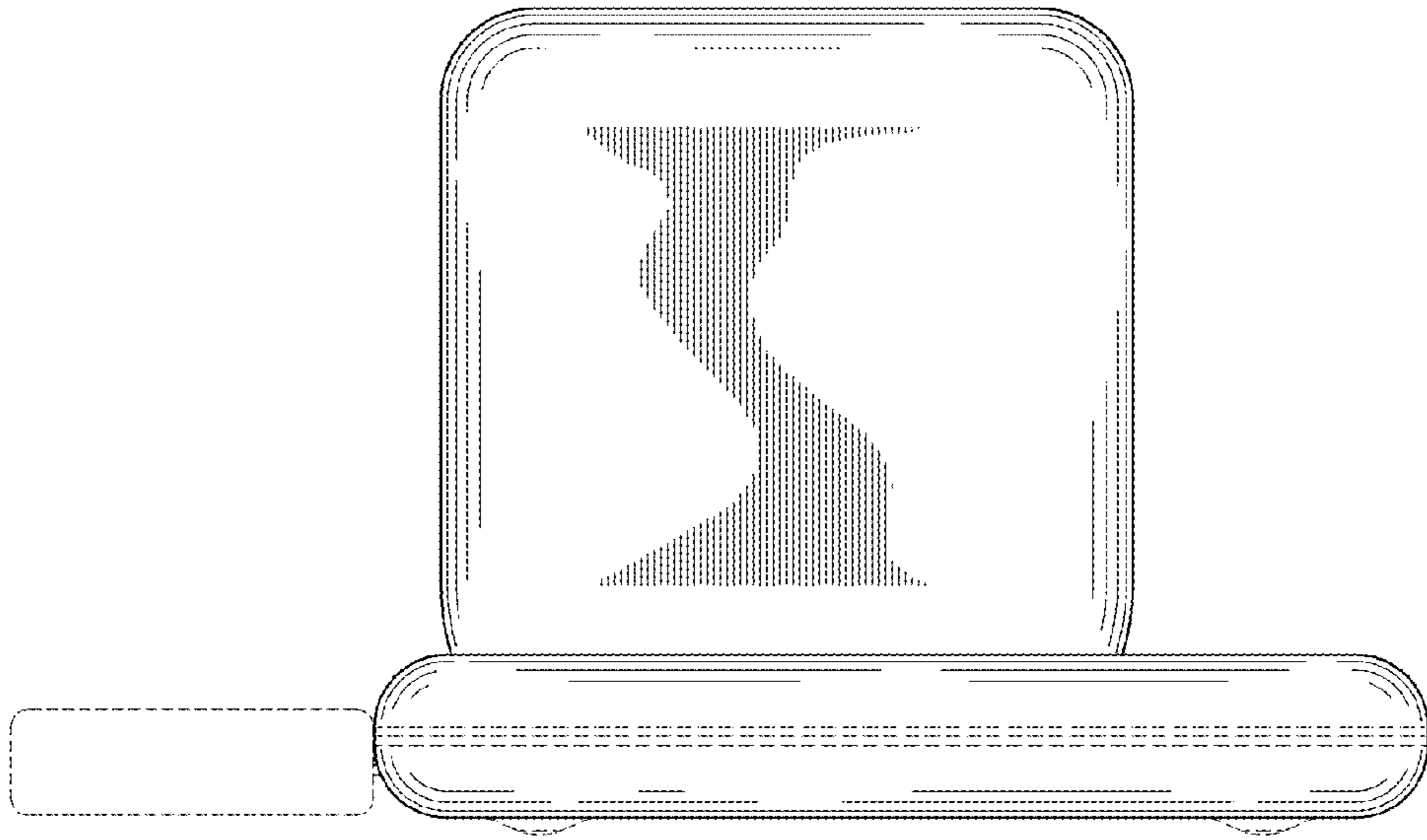


Fig. 6

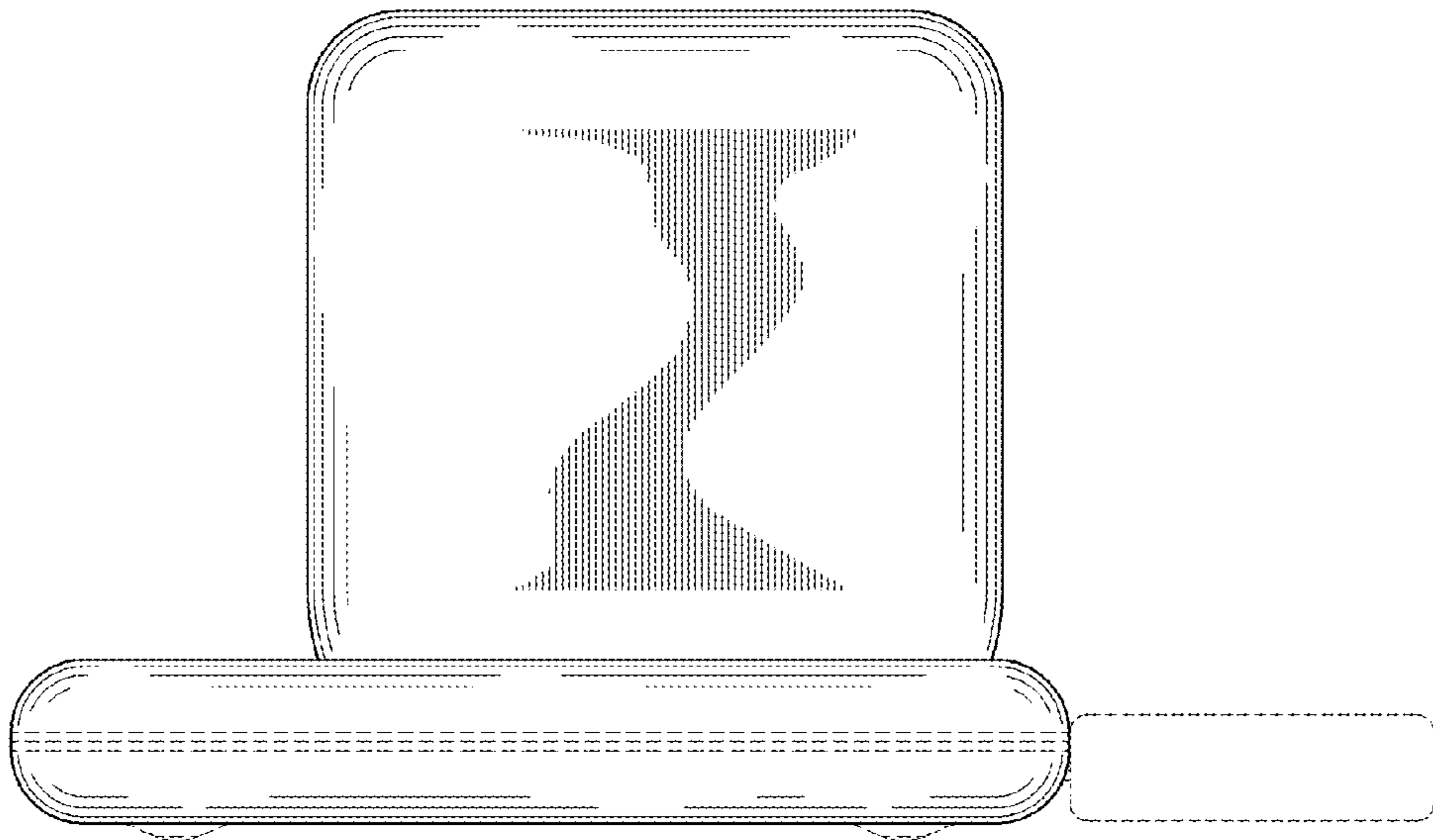


Fig. 7

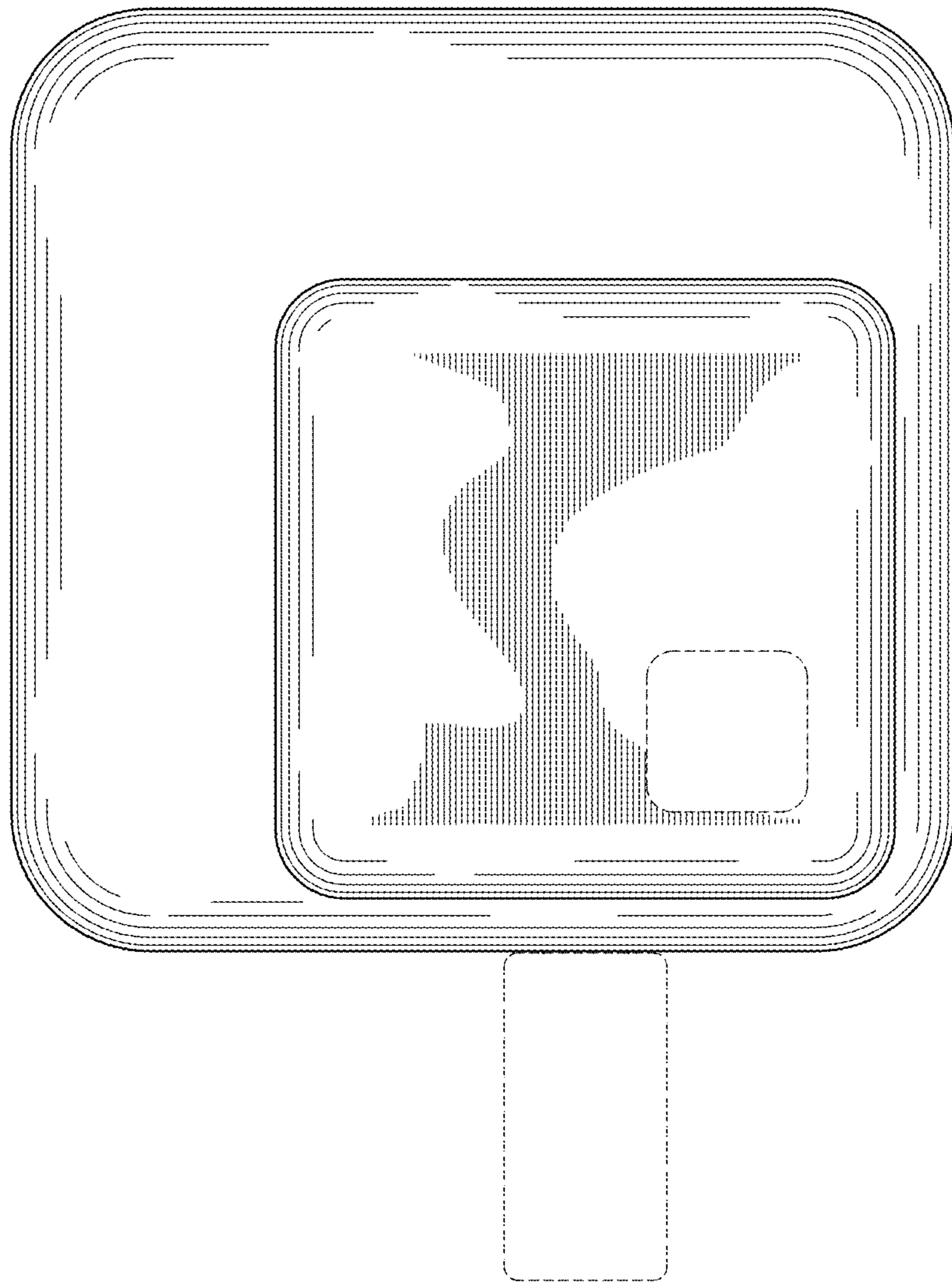


Fig. 8

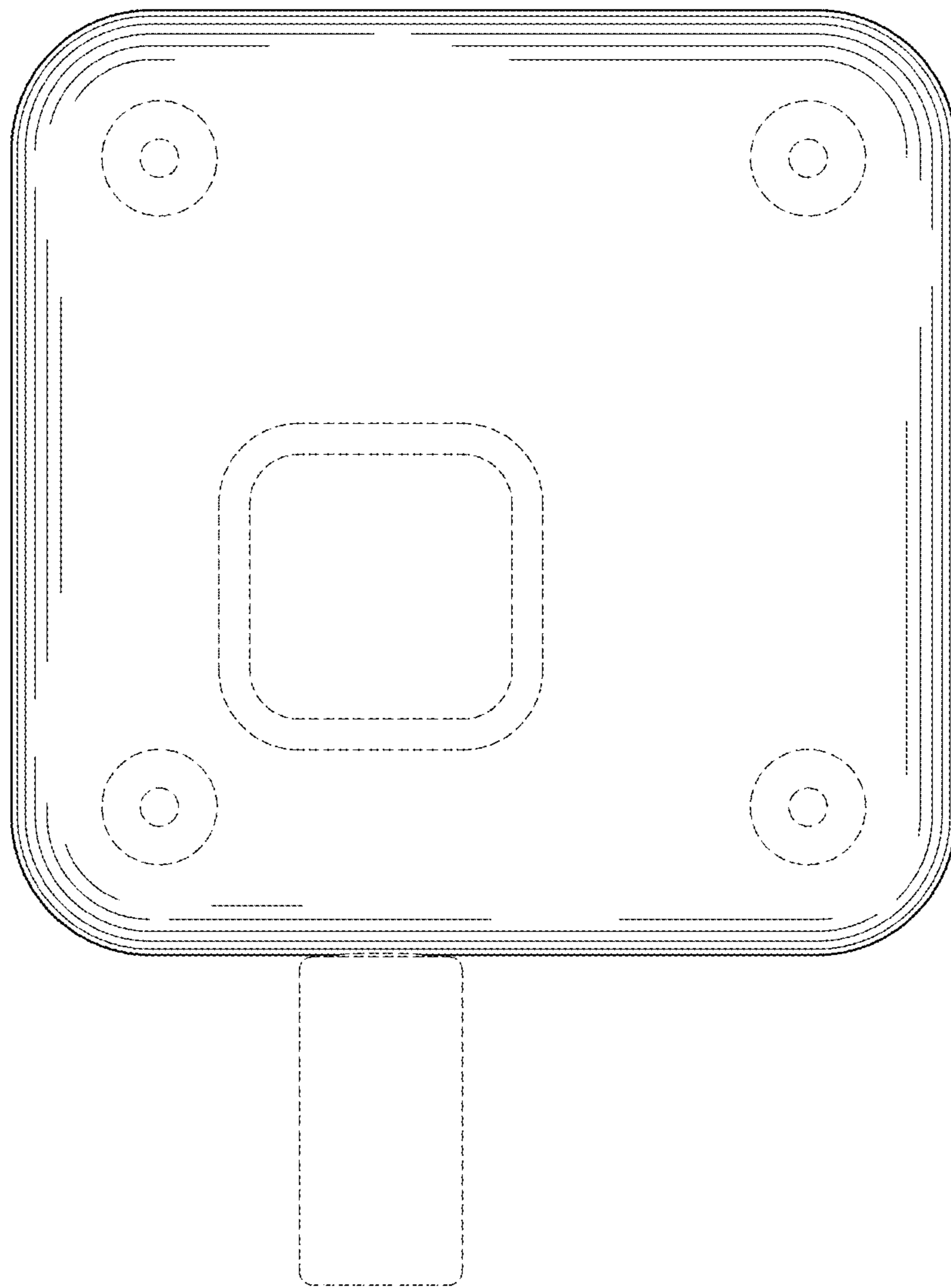
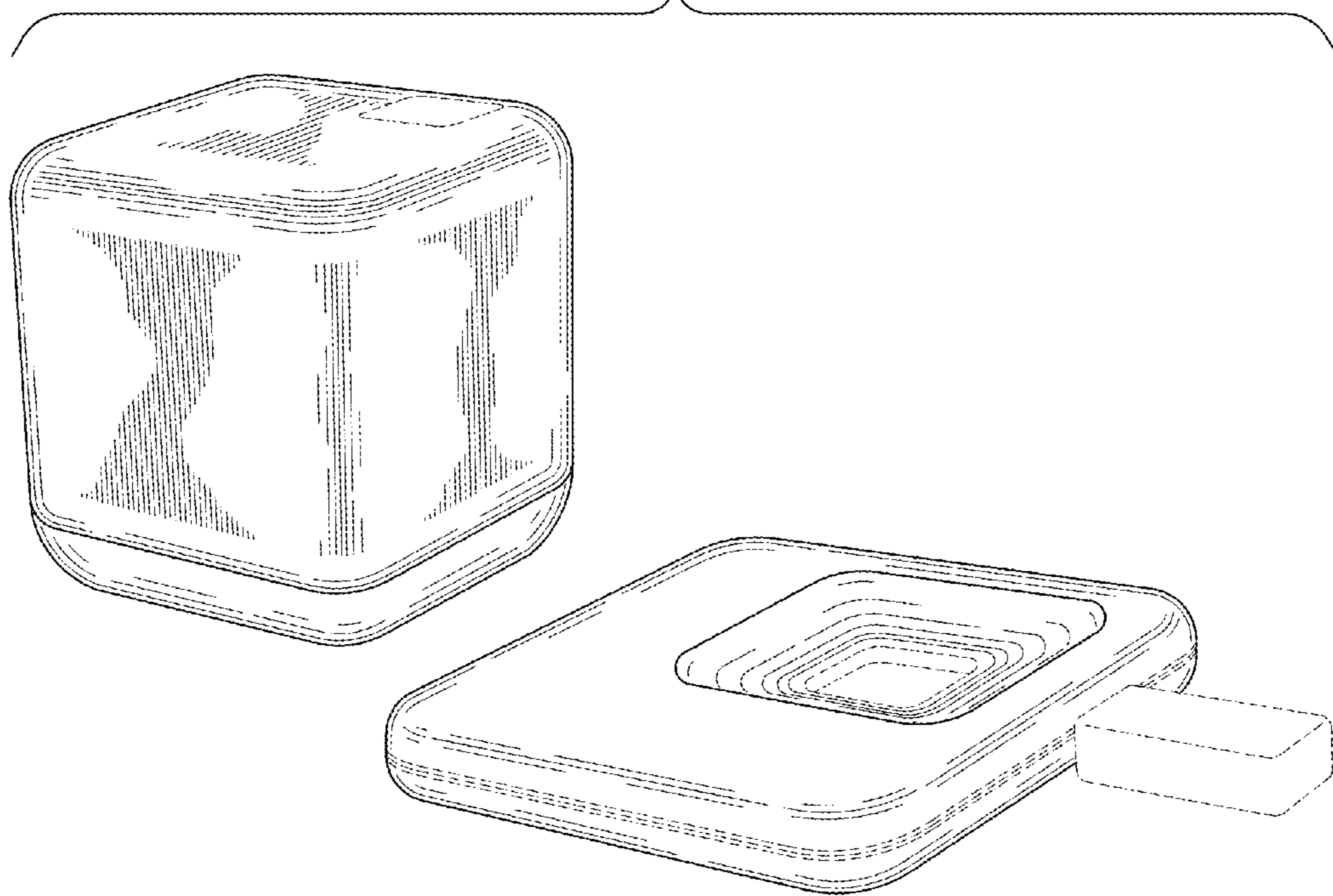


Fig. 9



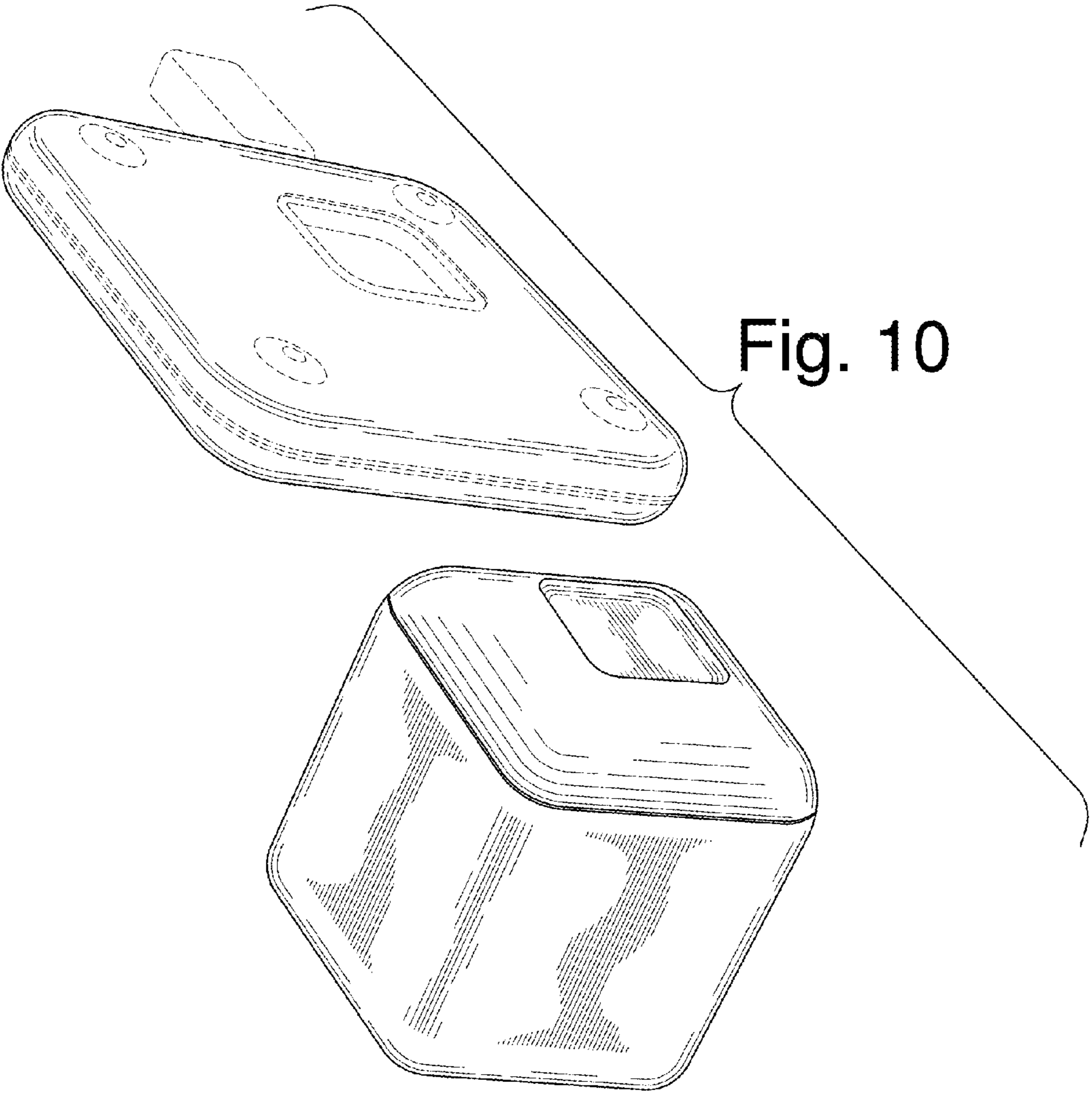




Fig. 11

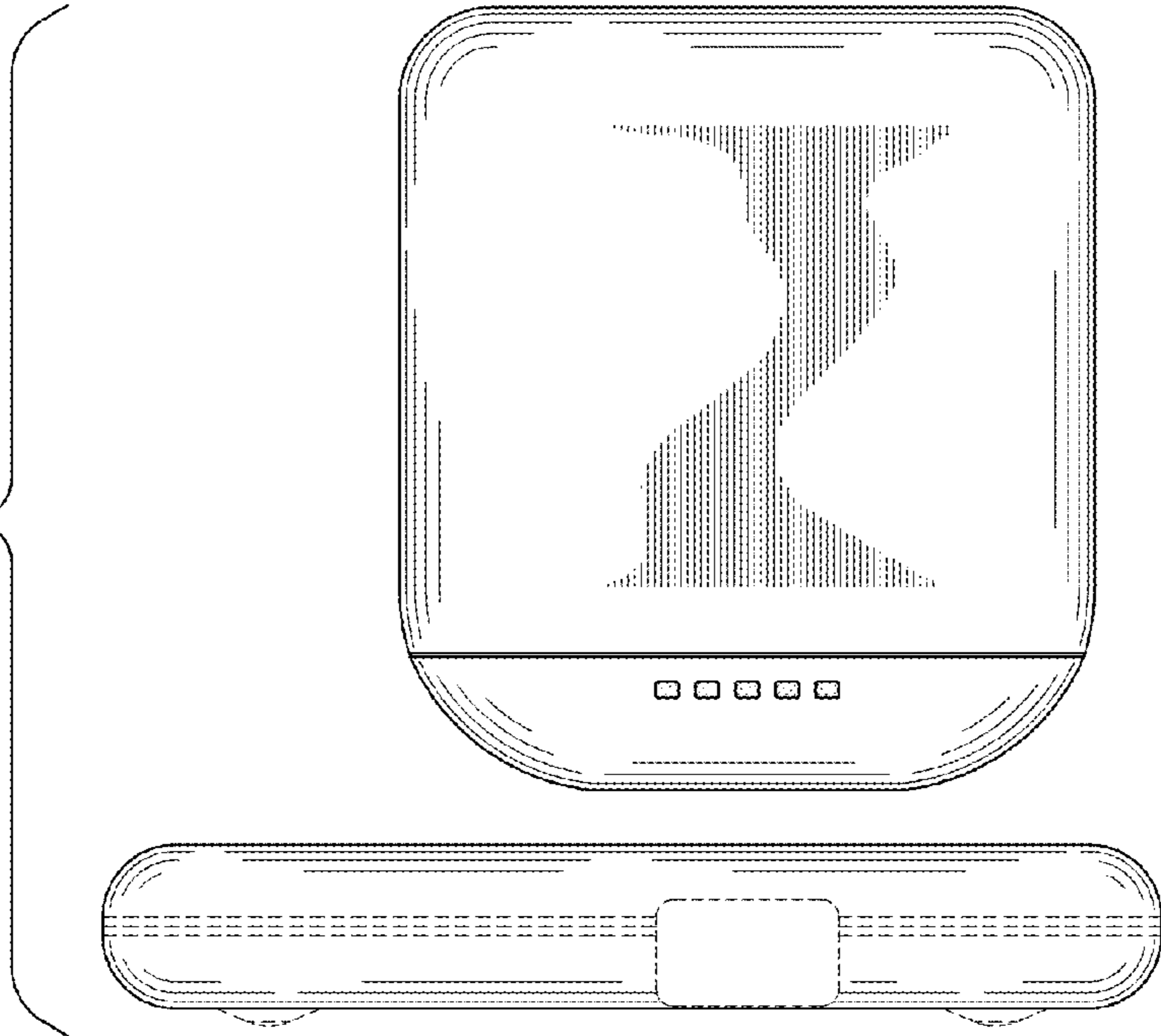
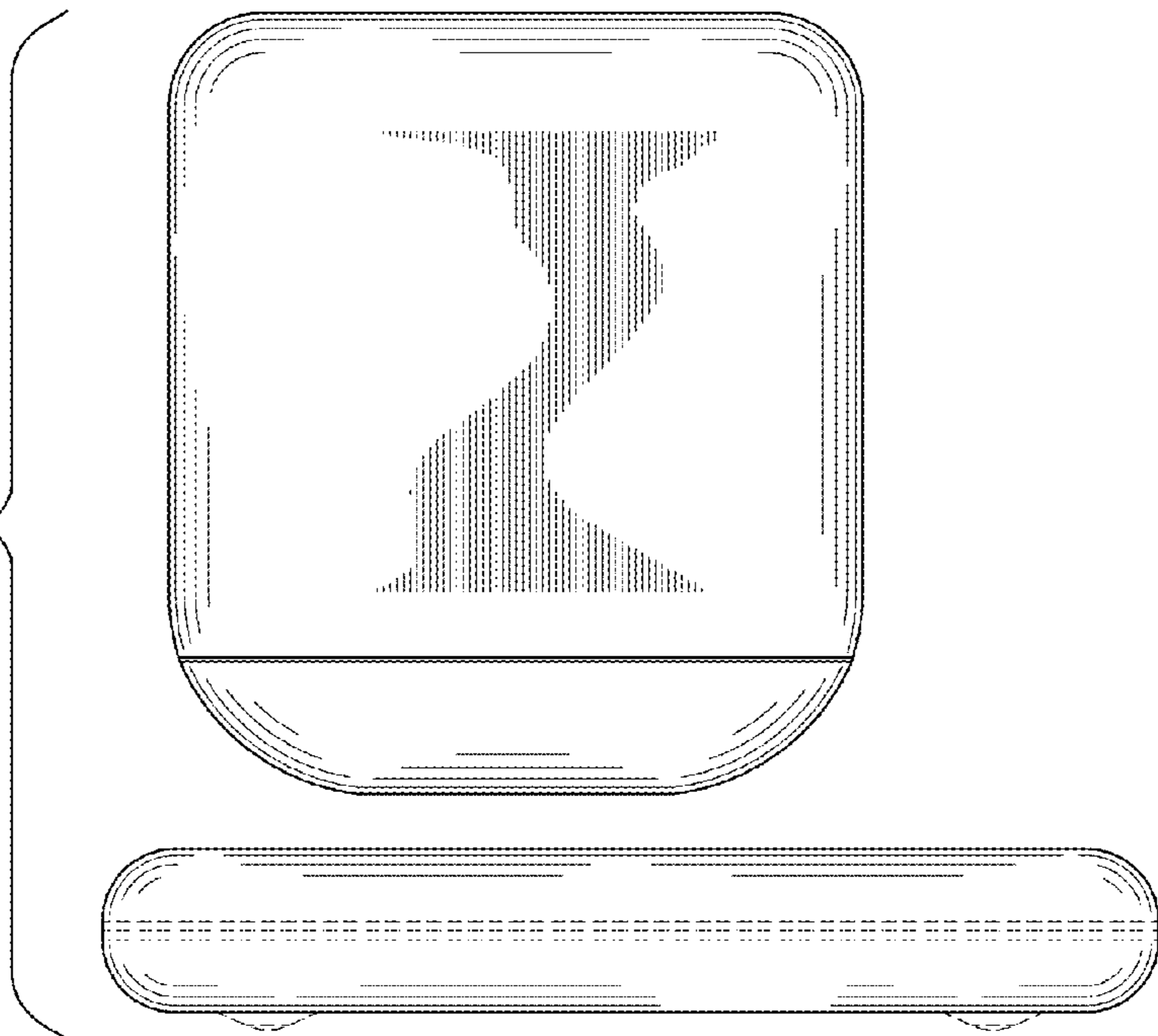


Fig. 12



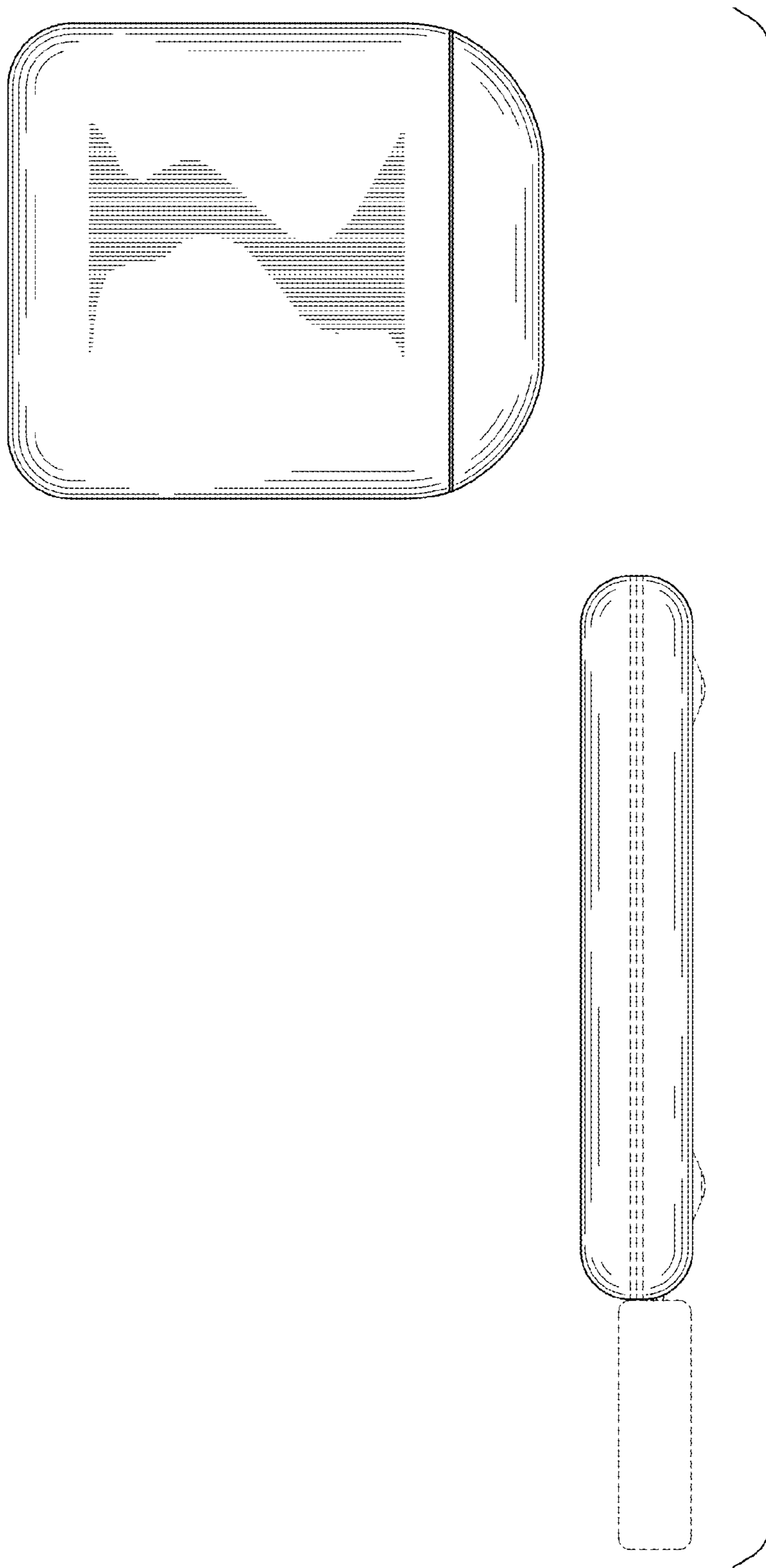


Fig. 13

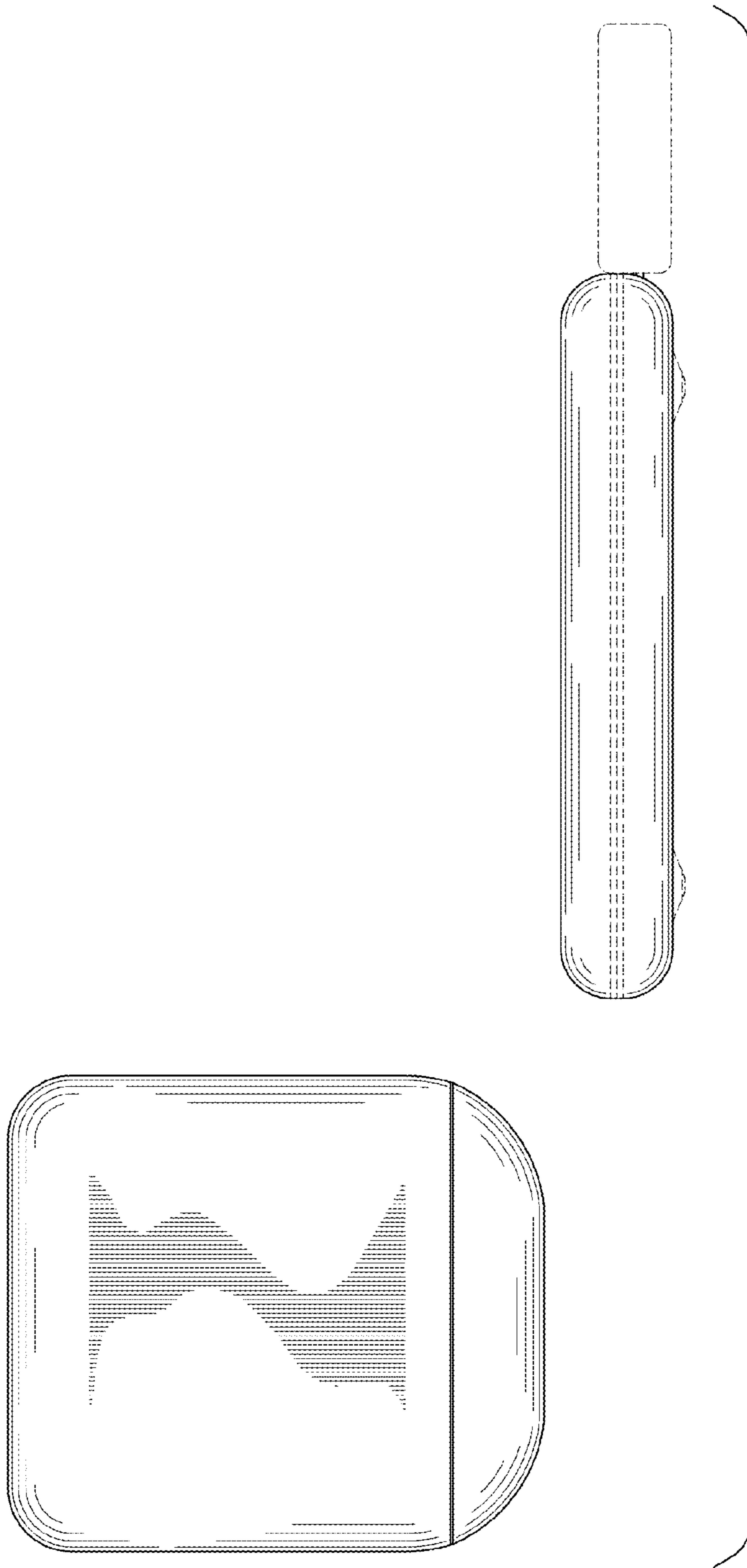


Fig. 14

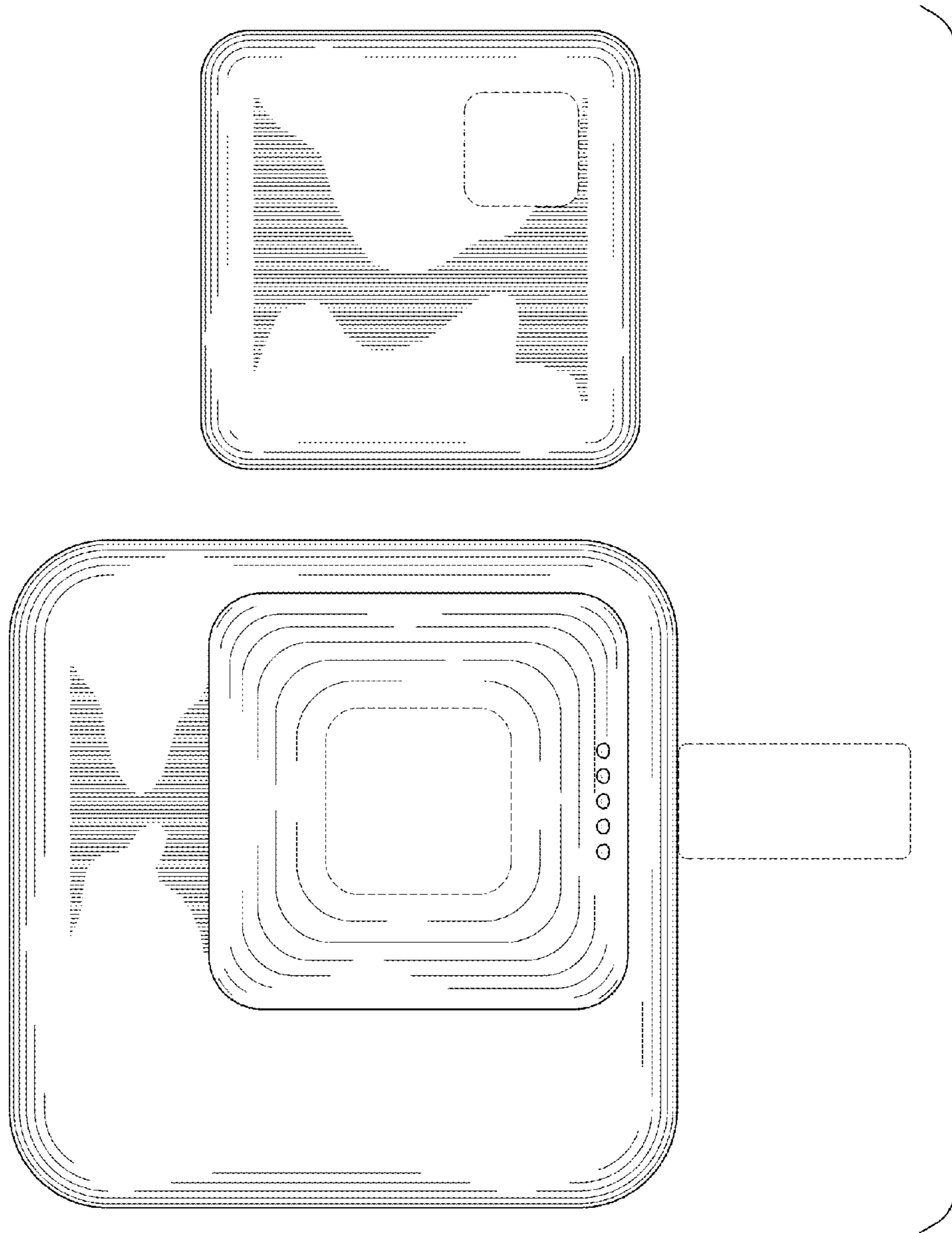


Fig. 15

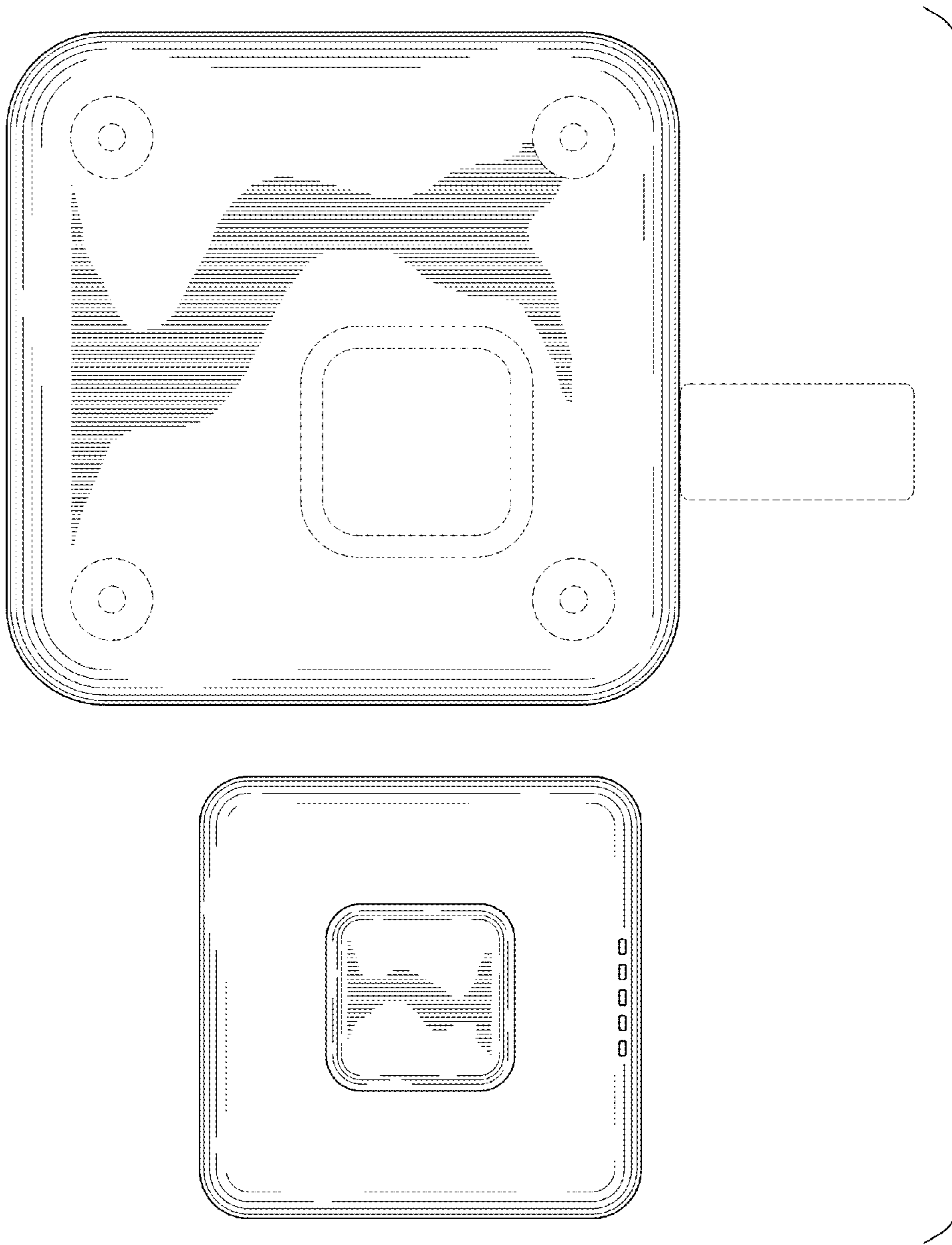


Fig. 16