



US00D753306S

(12) **United States Design Patent**  
**Burkinshaw et al.**

(10) **Patent No.:** **US D753,306 S**  
(45) **Date of Patent:** **\*\* Apr. 5, 2016**

- (54) **SPINAL DISC IMPLANT WITH CONIC PROTRUSIONS**
- (71) Applicants: **Brian D. Burkinshaw**, Pflugerville, TX (US); **Jonathan Stupka**, Lakeway, TX (US)
- (72) Inventors: **Brian D. Burkinshaw**, Pflugerville, TX (US); **Jonathan Stupka**, Lakeway, TX (US)
- (\*\*) Term: **14 Years**
- (21) Appl. No.: **29/481,785**
- (22) Filed: **Feb. 10, 2014**
- (51) **LOC (10) Cl.** ..... **24-02**
- (52) **U.S. Cl.**  
USPC ..... **D24/155**
- (58) **Field of Classification Search**  
USPC ..... D24/155-157  
CPC ..... A61F 2/4611; A61F 2/442; A61F 2/447; A61F 2220/0025; A61F 2310/00023; A61F 2310/00017; A61F 2002/4475; A61F 2002/30841; A61F 2002/2835; A61F 2002/30904; A61F 2002/30785; A61F 2002/443; A61F 2002/30578  
See application file for complete search history.

- (56) **References Cited**  
U.S. PATENT DOCUMENTS  
5,071,437 A 12/1991 Steffee  
7,025,787 B2\* 4/2006 Bryan ..... A61B 17/1671  
623/17.15  
D598,105 S \* 8/2009 Krishna ..... D24/155

- 7,601,174 B2\* 10/2009 Kelly ..... A61B 17/02  
623/17.13
- 7,901,459 B2\* 3/2011 Hodges ..... A61F 2/4405  
623/17.14
- 8,038,920 B2\* 10/2011 Denoziere ..... A61L 27/16  
264/101
- 8,092,542 B2\* 1/2012 Bryan ..... A61B 17/02  
623/16.11
- 8,226,723 B2\* 7/2012 Conti ..... A61F 2/442  
623/17.16
- 8,603,171 B2\* 12/2013 McClellan, III ..... A61F 2/442  
623/17.16
- 8,926,703 B2\* 1/2015 Michelson ..... A61F 2/4455  
623/17.16
- 2005/0251260 A1\* 11/2005 Gerber ..... A61F 2/441  
623/17.13
- 2006/0276790 A1 12/2006 Dawson
- 2009/0216331 A1 8/2009 Grotz
- 2012/0191193 A1 7/2012 Trieu

\* cited by examiner

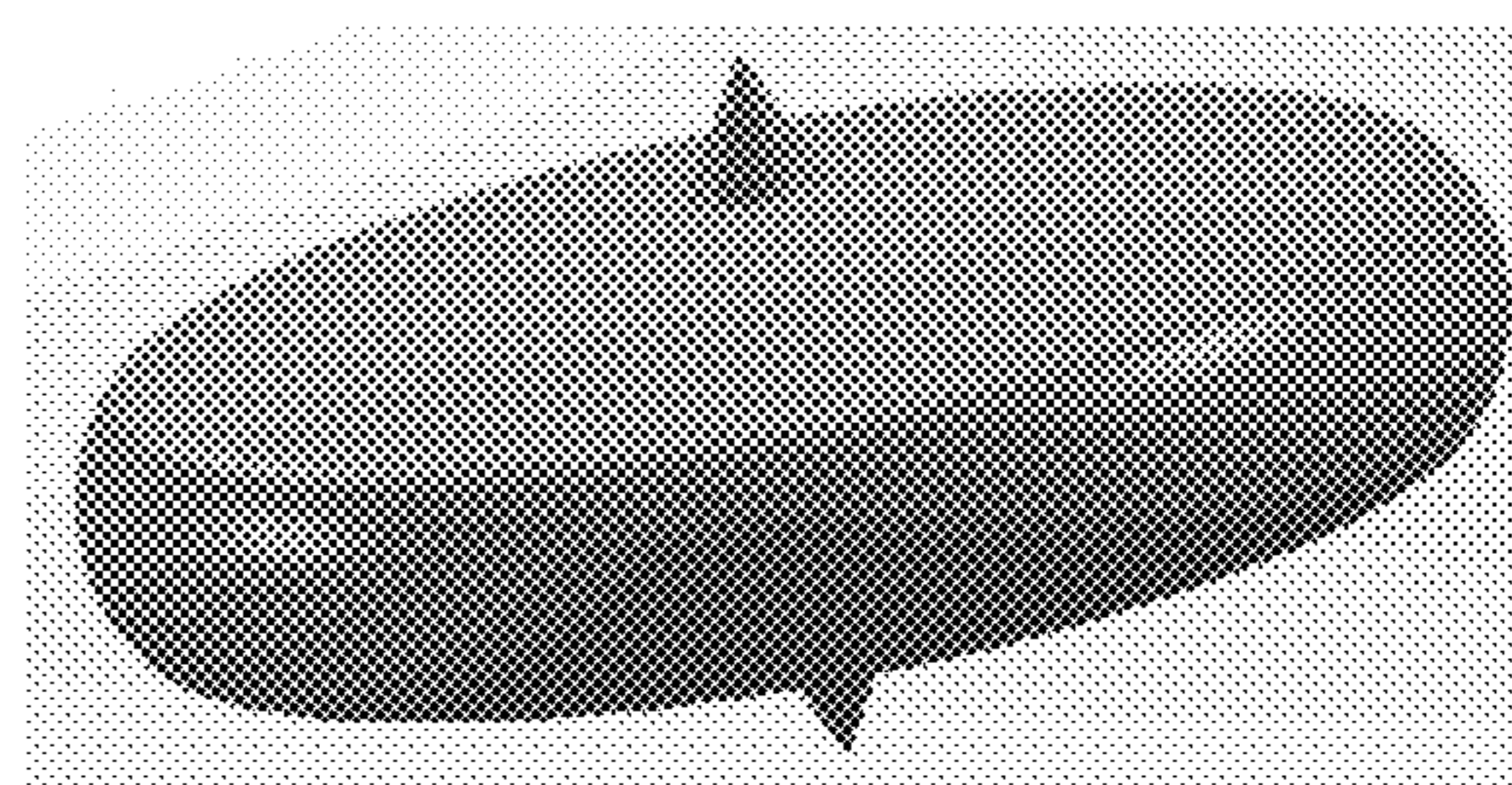
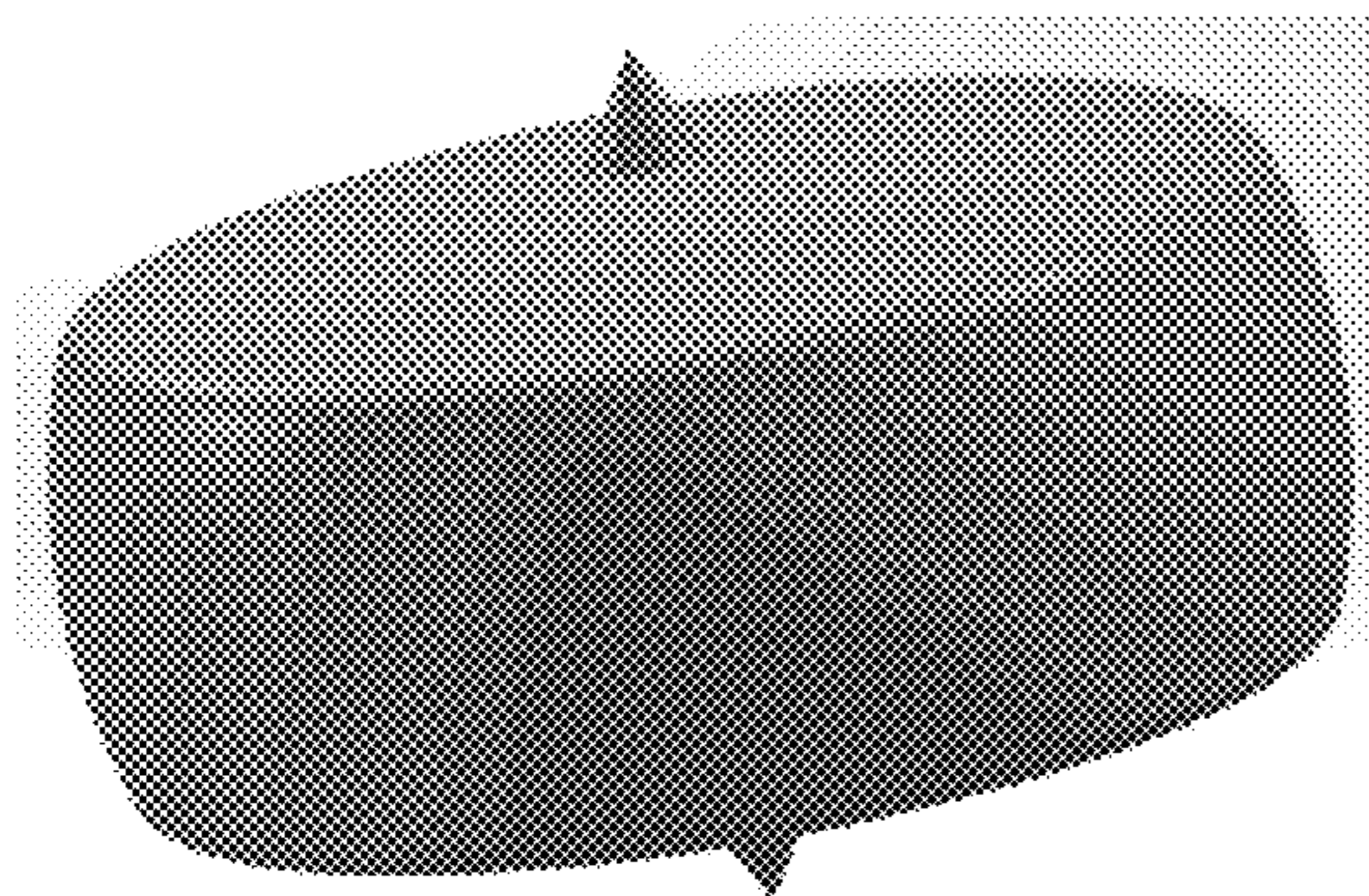
*Primary Examiner* — Susan Bennett Hattan  
*Assistant Examiner* — Charles Hanson  
(74) *Attorney, Agent, or Firm* — Brian Burkinshaw

(57) **CLAIM**  
The ornamental design for a spinal disc implant with conic protrusions, as shown and described.

**DESCRIPTION**

FIG. 1 is a perspective view of a spinal disc implant with conic protrusions, showing our new design;  
FIG. 2 is a side elevation view thereof;  
FIG. 3 is a top plan elevation view thereof;  
FIG. 4 is a side elevation view of an alternate embodiment thereof; and,  
FIG. 5 is a perspective view of an alternate embodiment thereof.

**1 Claim, 1 Drawing Sheet**



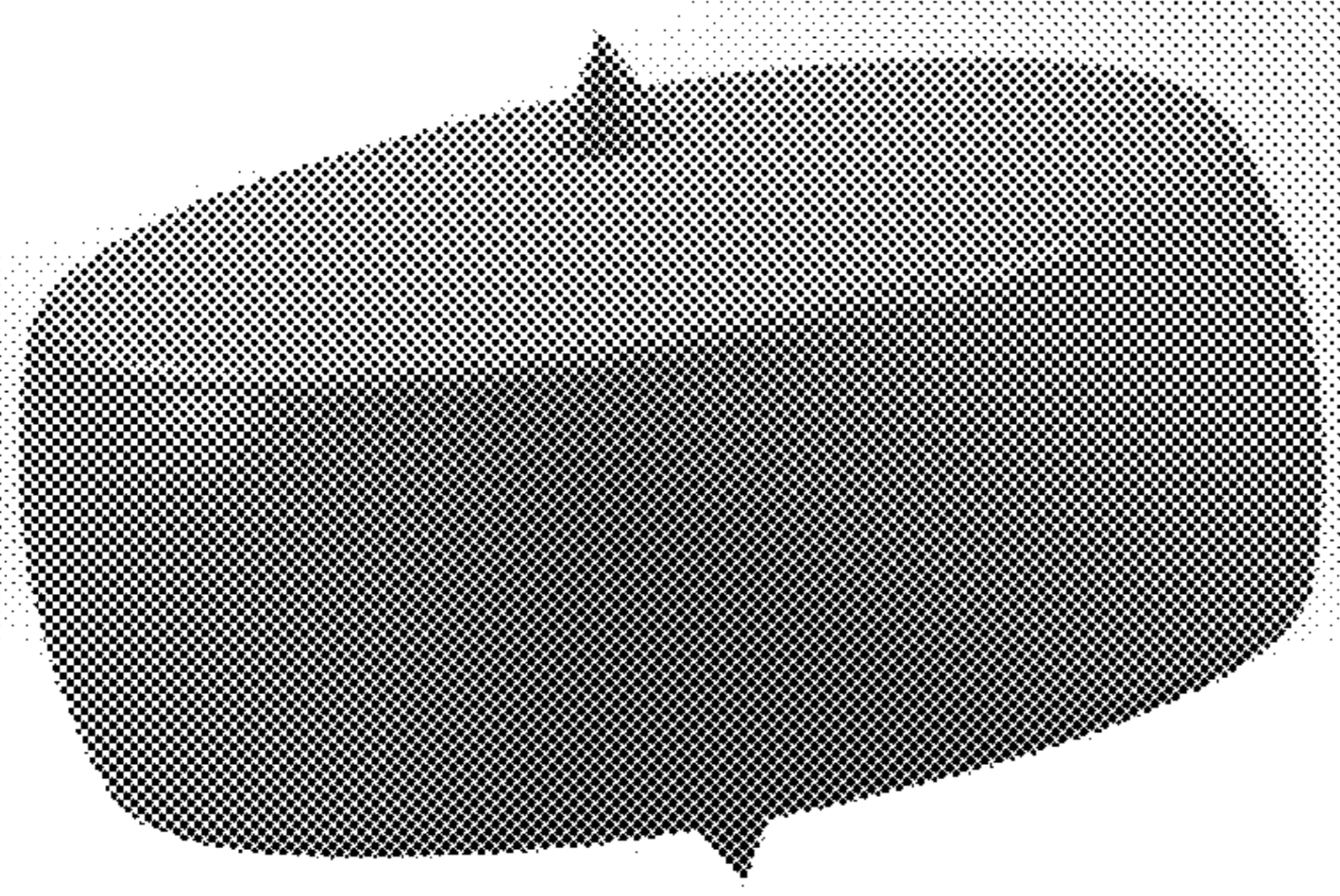


FIG. 1

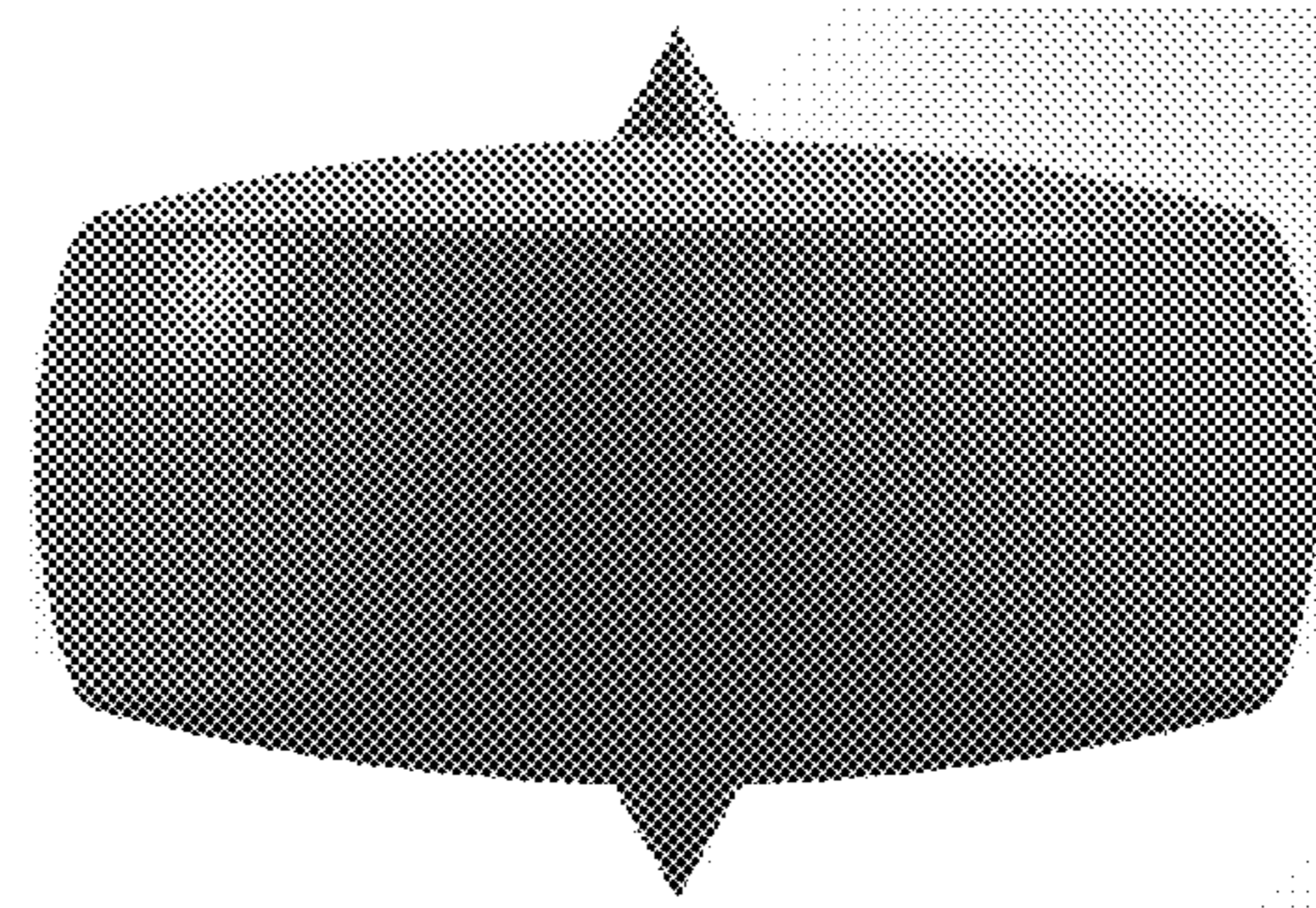


FIG. 2

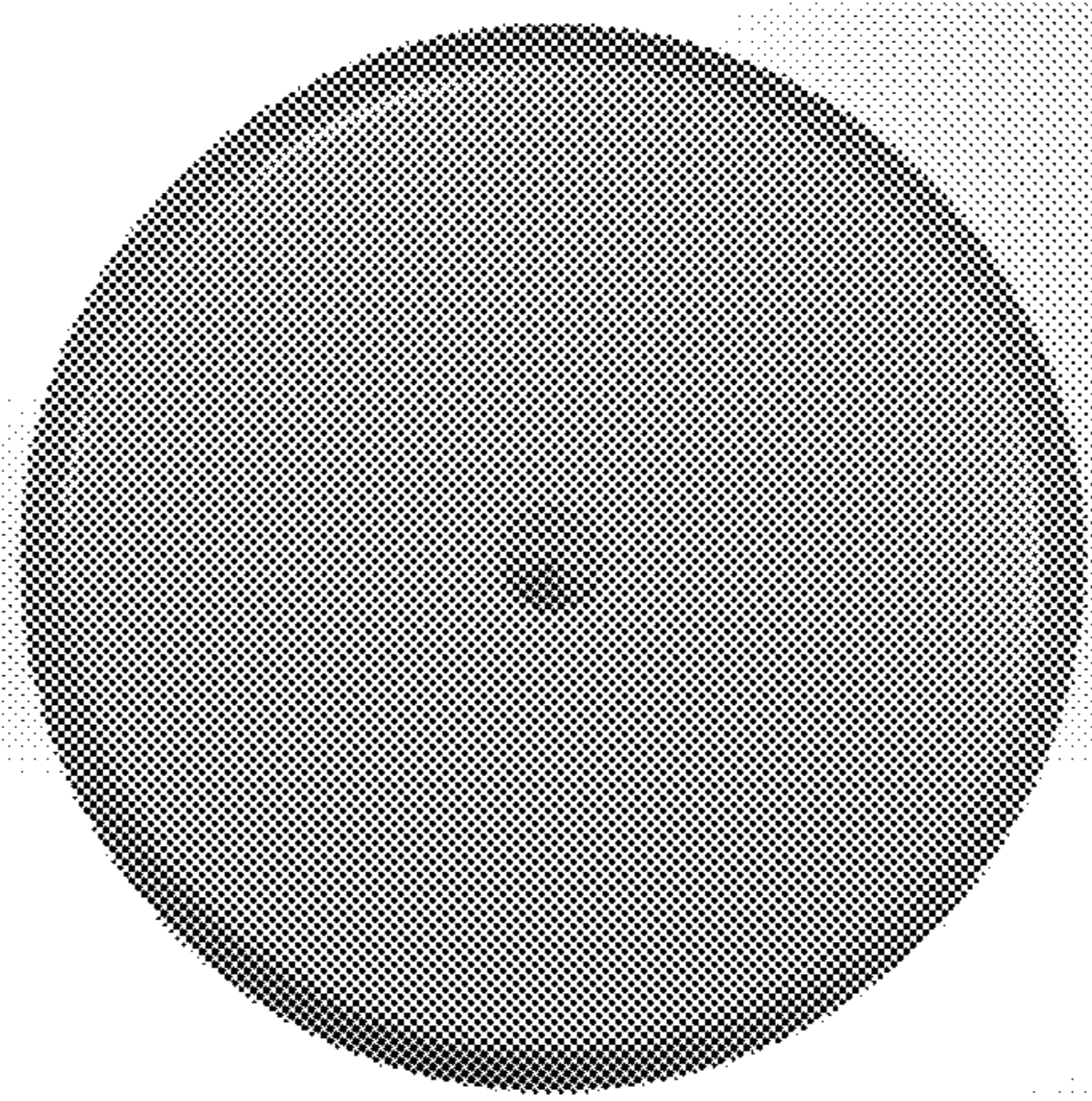


FIG. 3

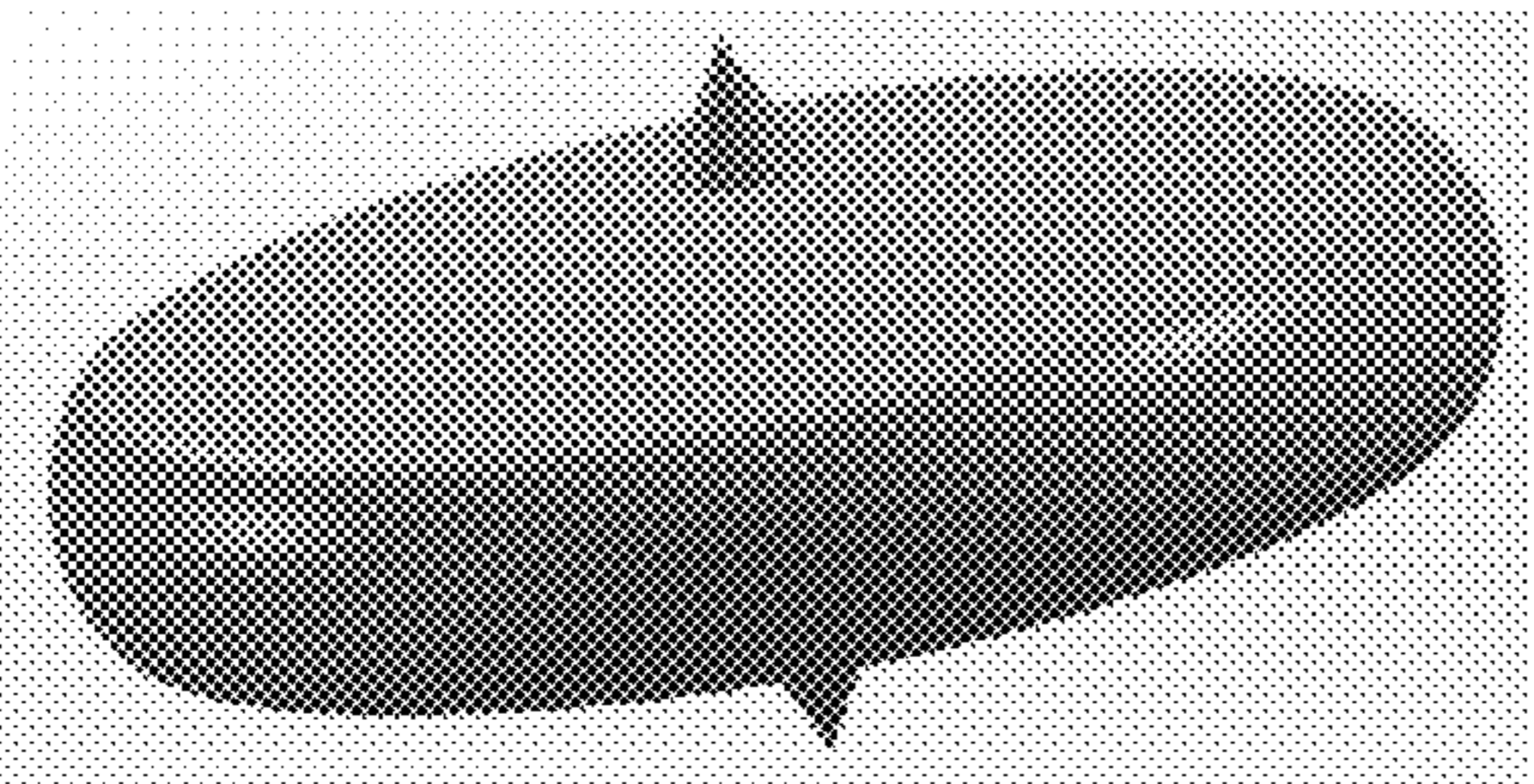


FIG. 4

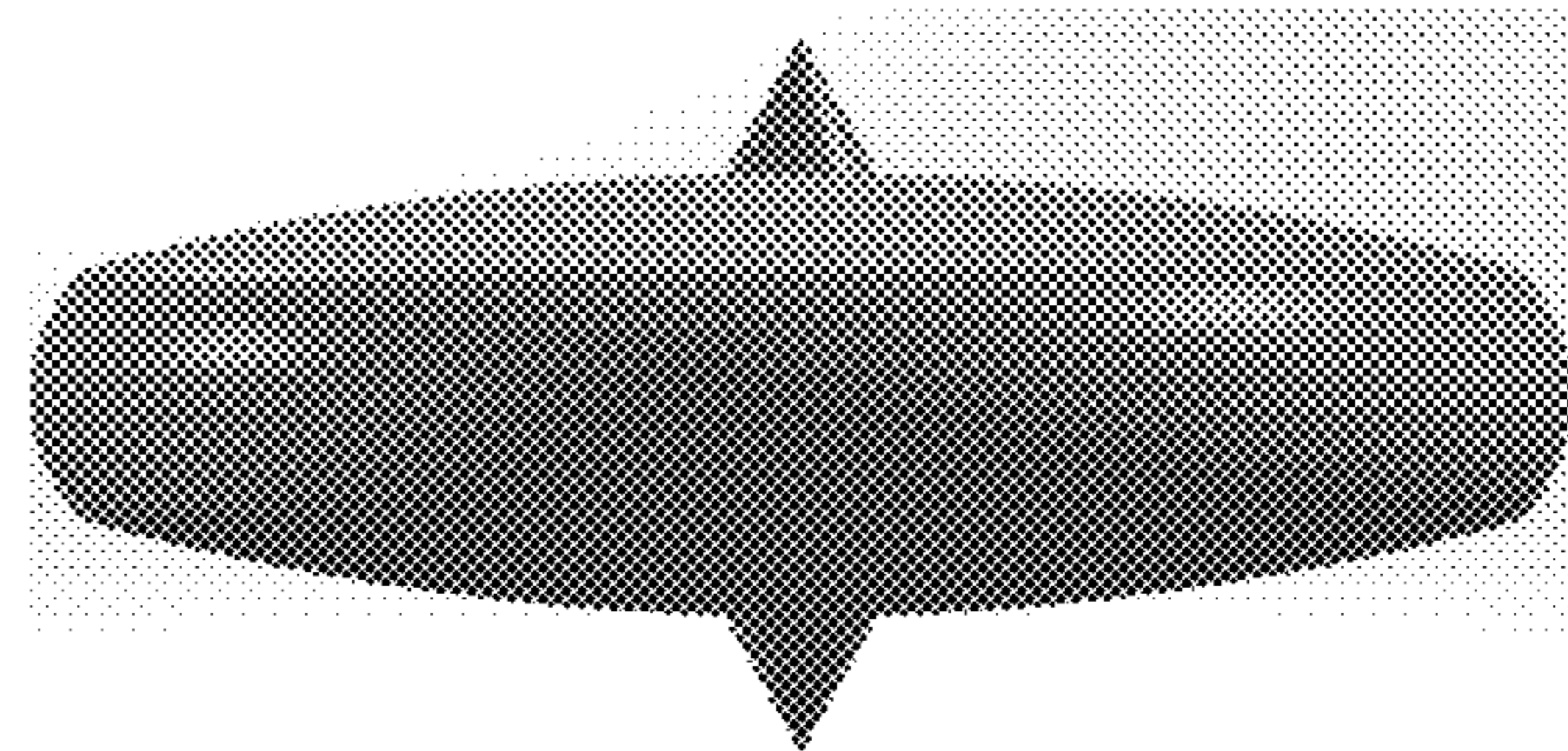


FIG. 5