



US00D753305S

(12) **United States Design Patent**
Butler

(10) **Patent No.:** **US D753,305 S**

(45) **Date of Patent:** **** Apr. 5, 2016**

(54) **SPINAL INTERBODY DEVICE**

(71) Applicant: **Life Spine, Inc.**, Hoffman Estates, IL
(US)

(72) Inventor: **Michael S. Butler**, St. Charles, IL (US)

(73) Assignee: **Life Spine, Inc.**, Huntley, IL (US)

(**) Term: **14 Years**

(21) Appl. No.: **29/475,313**

(22) Filed: **Dec. 2, 2013**

Related U.S. Application Data

(63) Continuation of application No. 11/900,944, filed on
Sep. 14, 2007, now Pat. No. 8,597,359.

(51) **LOC (10) Cl.** **24-02**

(52) **U.S. Cl.**
USPC **D24/155**

(58) **Field of Classification Search**
USPC D24/155-157; 623/17.11-17.16, 20.29;
606/90, 85, 86 A, 87, 279; 128/898
See application file for complete search history.

(56) **References Cited**

U.S. PATENT DOCUMENTS

| | | | | |
|-----------|------|---------|---------------|-----------|
| 4,834,757 | A | 5/1989 | Brantigan | |
| 5,716,415 | A | 2/1998 | Steffee | |
| 5,766,252 | A | 6/1998 | Henry et al. | |
| 6,008,433 | A * | 12/1999 | Stone | 623/20.14 |
| D444,878 | S * | 7/2001 | Walter | D24/155 |
| D445,188 | S * | 7/2001 | Walter | D24/155 |
| 6,482,233 | B1 | 11/2002 | Aebi et al. | |
| 6,823,871 | B2 * | 11/2004 | Schmieding | 128/898 |
| D524,443 | S * | 7/2006 | Blain | D24/155 |
| D541,940 | S * | 5/2007 | Blain | D24/155 |
| D611,147 | S * | 3/2010 | Hanson et al. | D24/155 |
| D615,653 | S * | 5/2010 | Horton | D24/155 |
| D623,748 | S * | 9/2010 | Horton et al. | D24/155 |
| D623,749 | S * | 9/2010 | Horton et al. | D24/155 |

| | | | | |
|--------------|------|---------|-------------------|---------|
| D627,468 | S * | 11/2010 | Richter et al. | D24/155 |
| D631,967 | S * | 2/2011 | Horton | D24/155 |
| 7,892,261 | B2 * | 2/2011 | Bonutti | 606/279 |
| D650,481 | S * | 12/2011 | Gottlieb et al. | D24/155 |
| D653,757 | S * | 2/2012 | Binder | D24/155 |
| D674,900 | S * | 1/2013 | Janice et al. | D24/155 |
| D677,791 | S * | 3/2013 | Danacioglu et al. | D24/155 |
| D681,205 | S * | 4/2013 | Farris et al. | D24/155 |
| 2002/0068976 | A1 | 6/2002 | Jackson | |

(Continued)

FOREIGN PATENT DOCUMENTS

WO WO-2008/033489 3/2008

OTHER PUBLICATIONS

International Preliminary Report on Patentability for PCT/US2007/
019974, dated Oct. 9, 2008, 6 pages.

(Continued)

Primary Examiner — Susan Bennett Hattan

Assistant Examiner — Charles Hanson

(74) *Attorney, Agent, or Firm* — Foley & Lardner LLP

(57) **CLAIM**

I claim the ornamental design for a spinal interbody device, as
shown and described.

DESCRIPTION

FIG. 1 is a front perspective view of a spinal interbody device
showing my new design;

FIG. 2 is a rear perspective view thereof;

FIG. 3 is a top plan view;

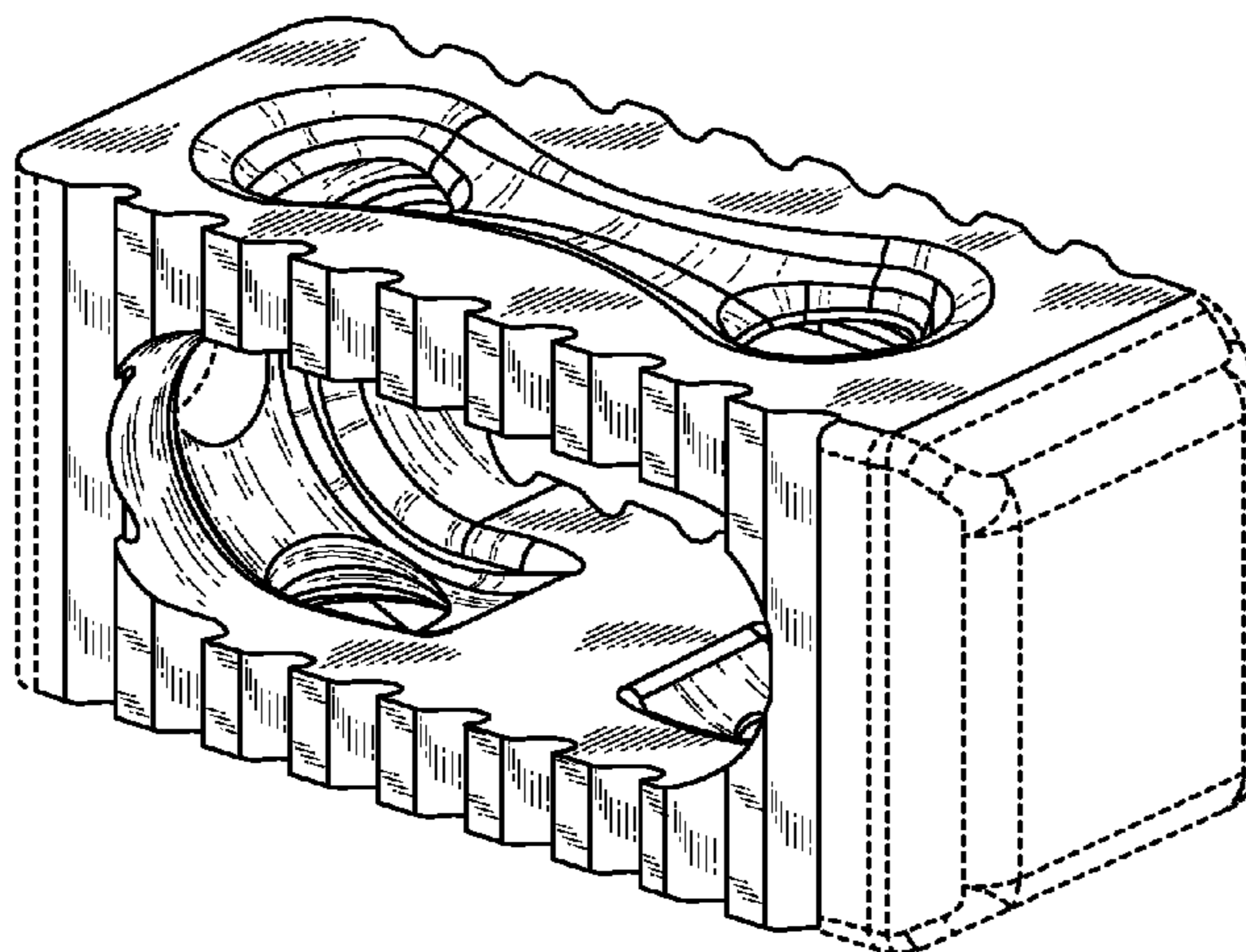
FIG. 4 is a right side view thereof;

FIG. 5 is front elevation view thereof; and,

FIG. 6 is a rear elevation view thereof.

The ornamental design which is claimed is shown in solid
lines in the drawings. Broken lines in the drawings are for
illustrative purposes only and form no part of the claimed
design.

1 Claim, 3 Drawing Sheets



(56)

References Cited

OTHER PUBLICATIONS

U.S. PATENT DOCUMENTS

2003/0105526 A1* 6/2003 Bryant et al. 623/16.11
2003/0139812 A1 7/2003 Garcia et al.
2004/0082999 A1 4/2004 Mathys et al.
2005/0131536 A1 6/2005 Eisermann et al.
2005/0149193 A1 7/2005 Zucherman et al.
2006/0015184 A1* 1/2006 Winterbottom et al. ... 623/18.11
2009/0182431 A1 7/2009 Butler et al.
2012/0143334 A1* 6/2012 Boyce et al. 623/16.11
2013/0144389 A1* 6/2013 Bonutti 623/17.16

International Preliminary Report on Patentability for PCT/US2008/078038 dated Jul. 24, 2010, 5 pages.

International Search Report for PCT/US2008/078038, mailing date Nov. 25, 2008, 1 page.

Written Opinion for PCT/US2007/019974, mail date Mar. 24, 2008, 6 pages.

* cited by examiner

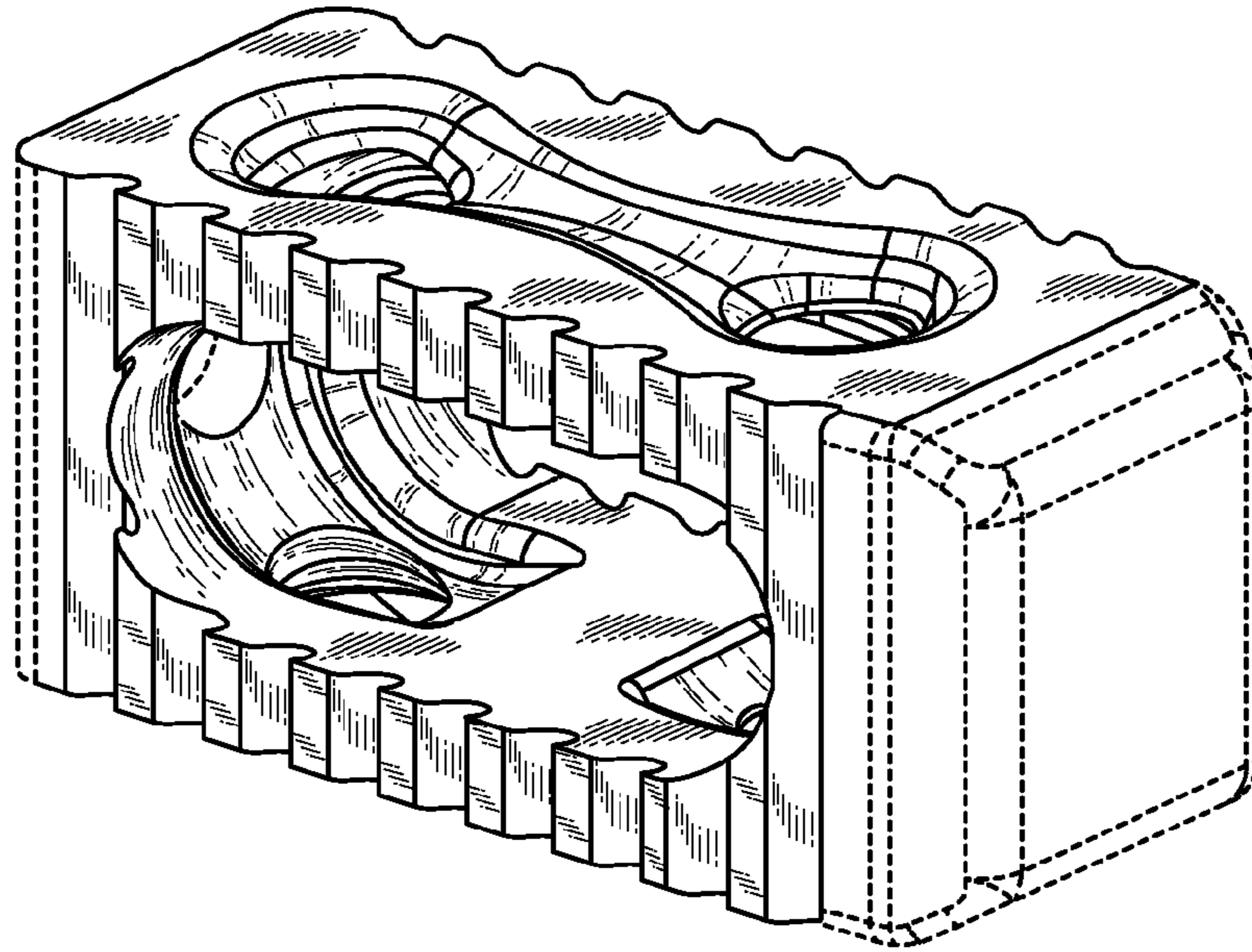


Fig. 1

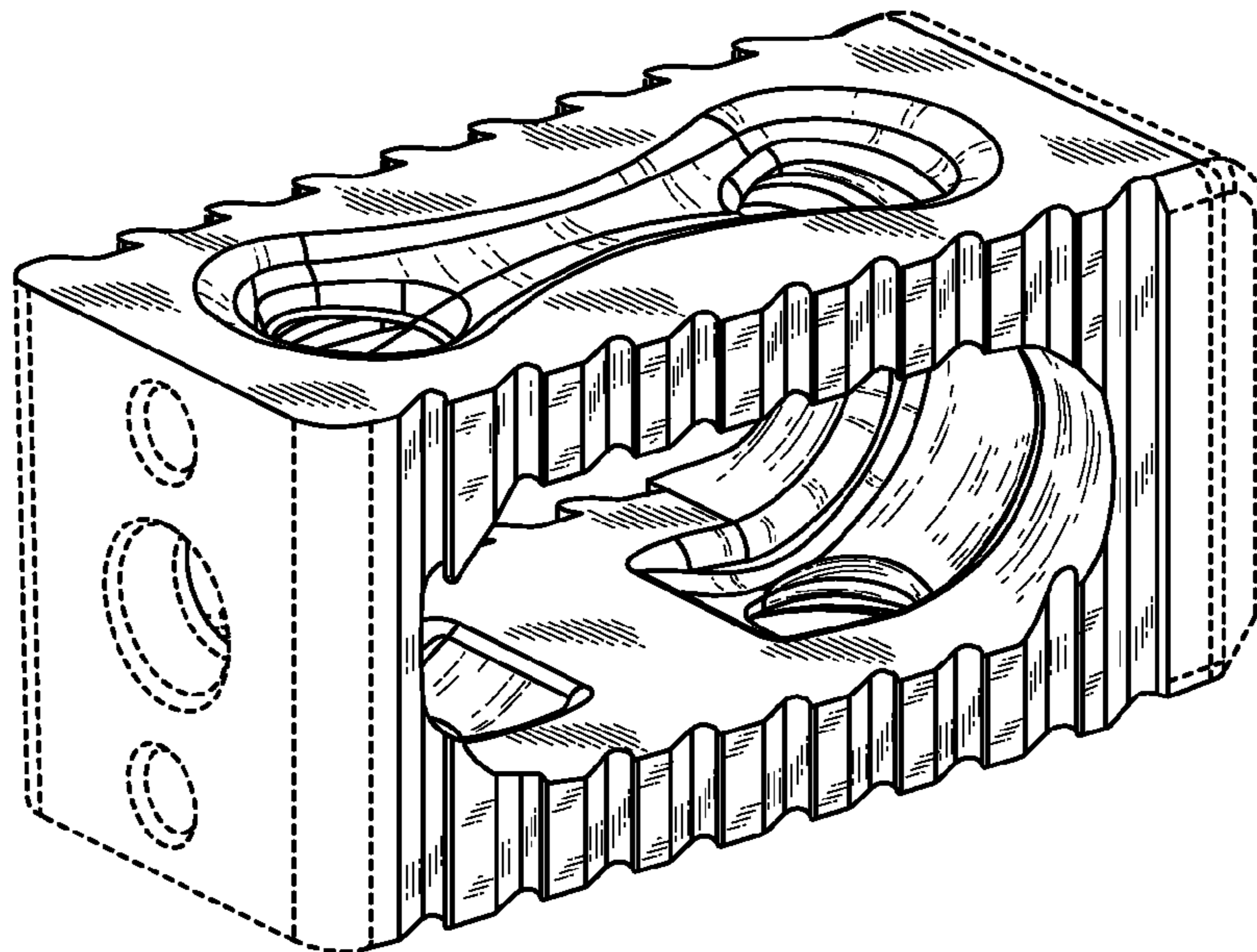


Fig. 2

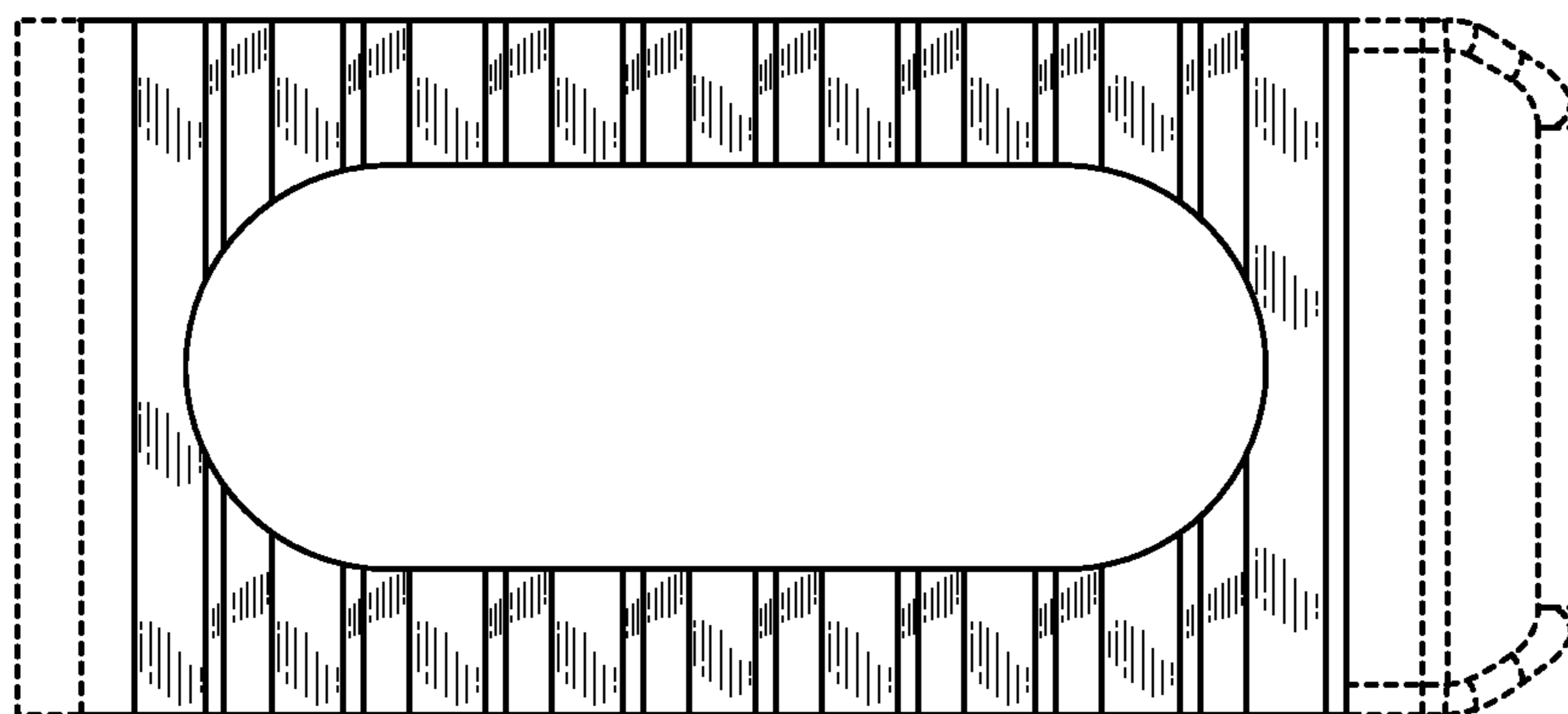


Fig. 3

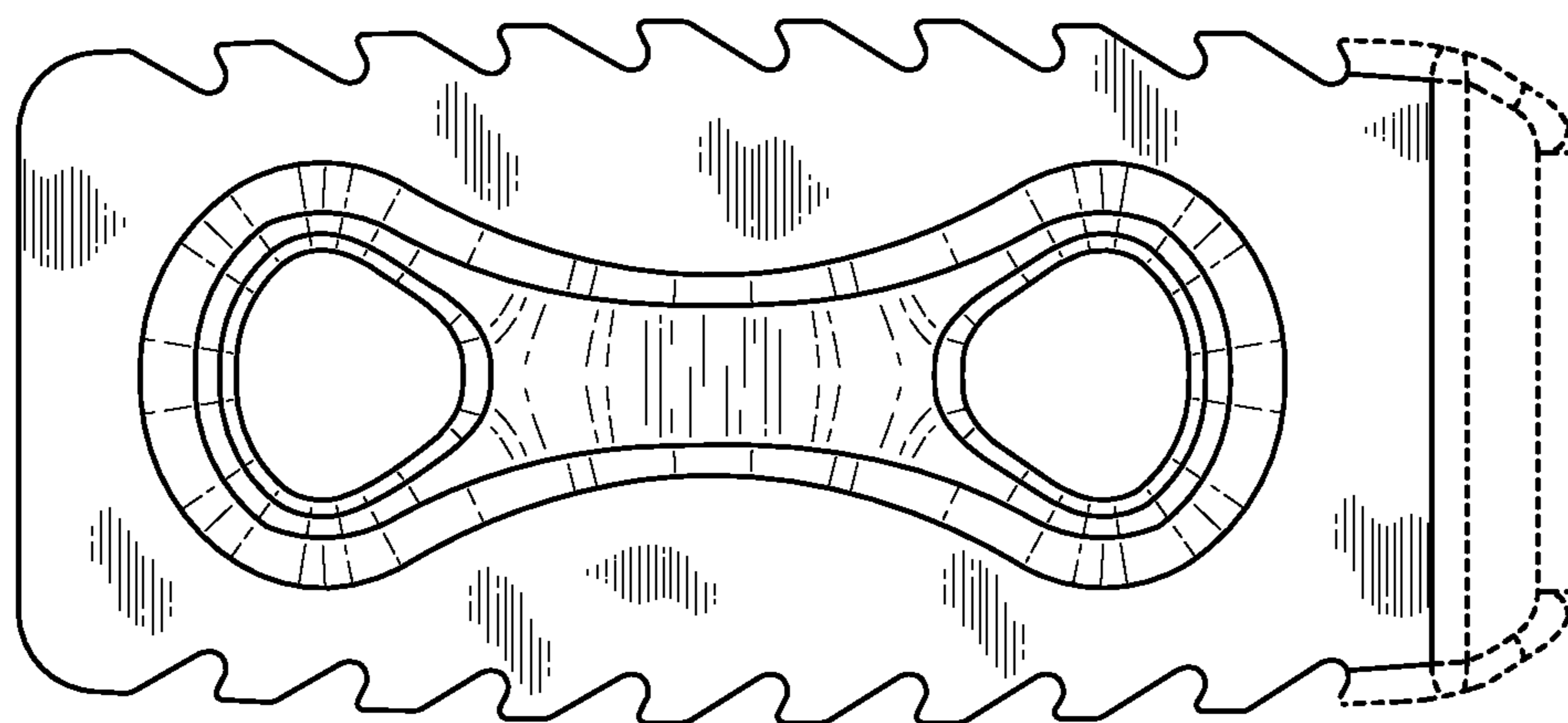


Fig. 4

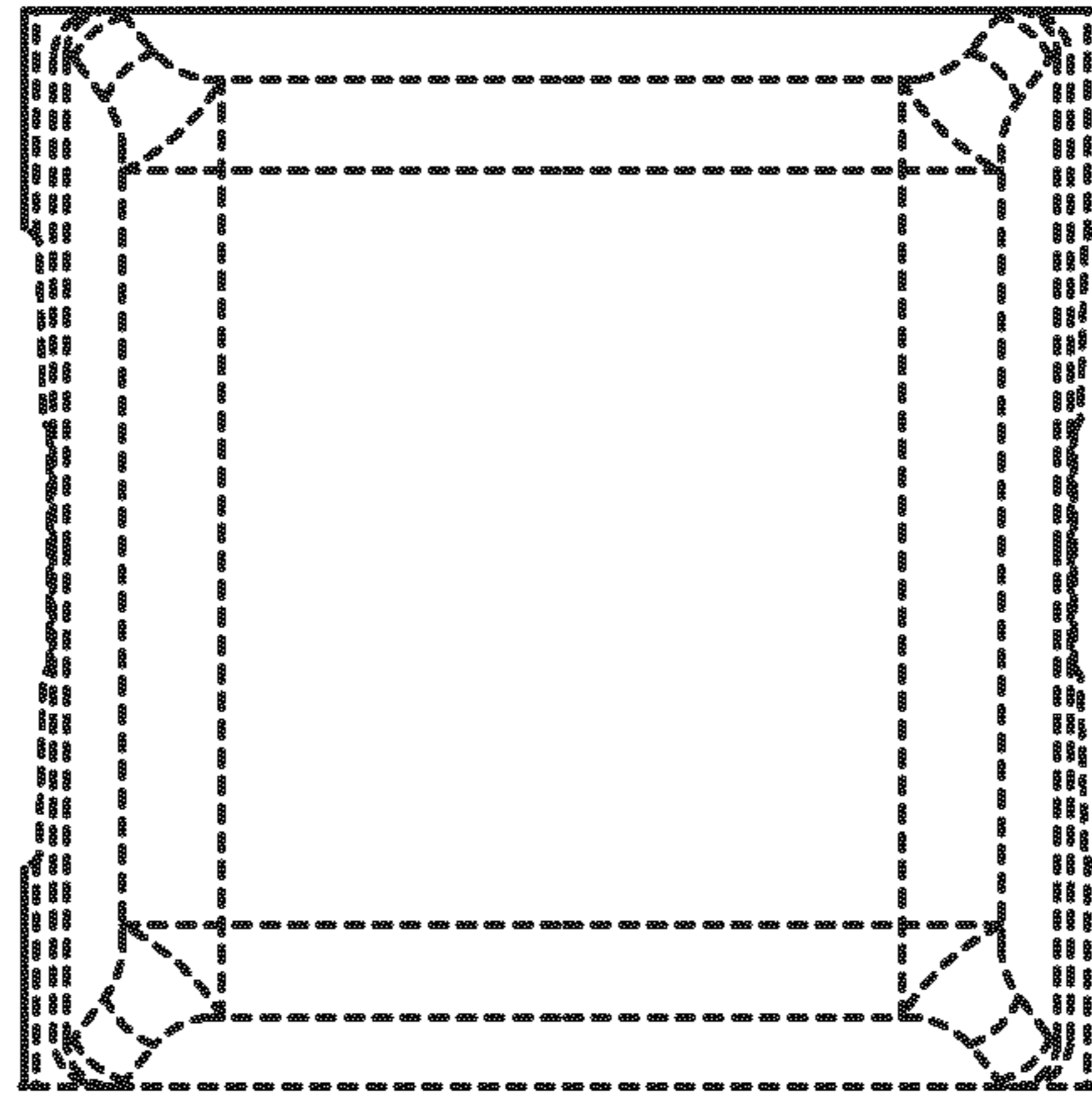


Fig. 5

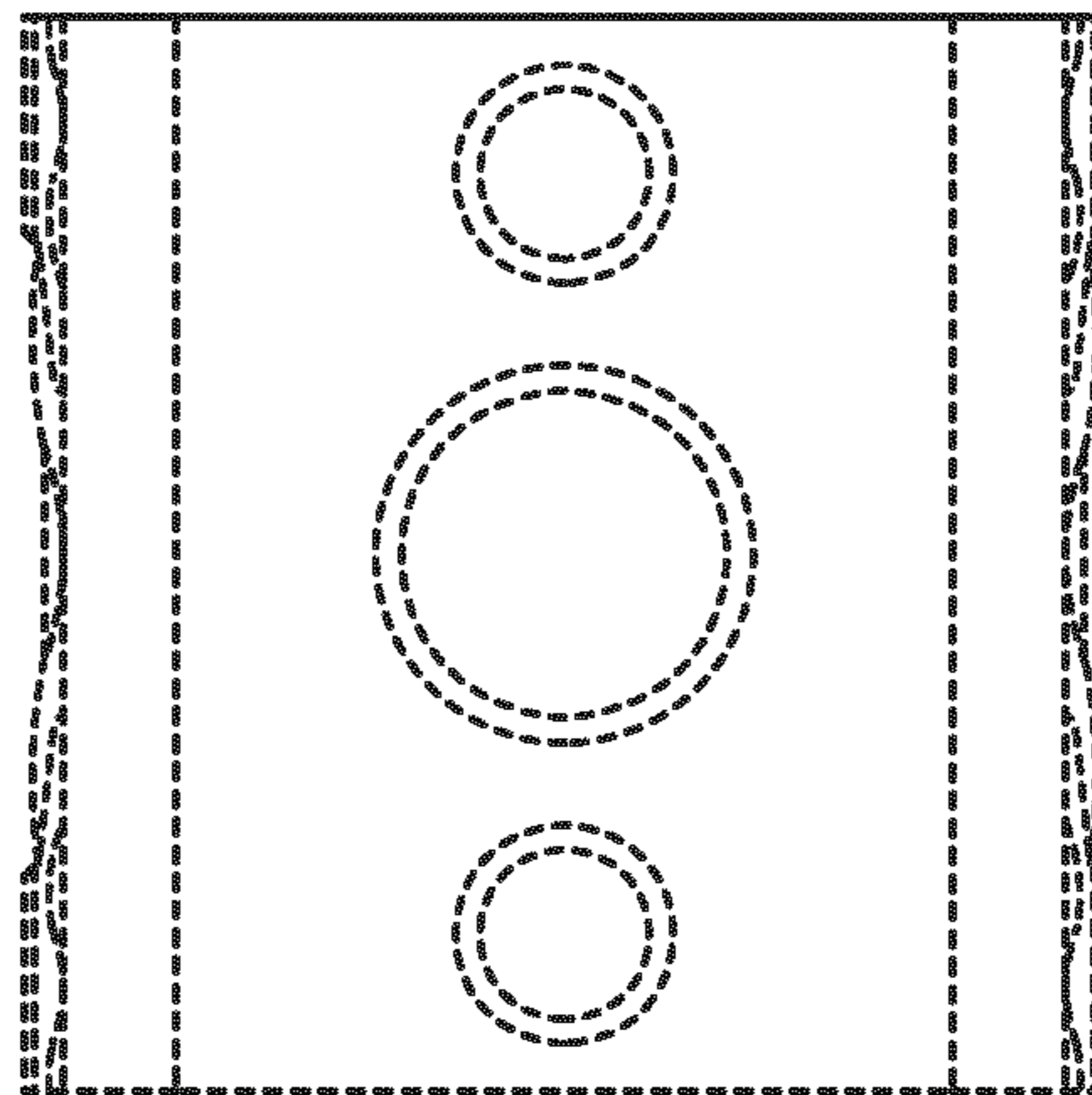


Fig. 6