



US00D753303S

(12) **United States Design Patent**  
**Dannaher**

(10) **Patent No.:** **US D753,303 S**  
(45) **Date of Patent:** **\*\* Apr. 5, 2016**

(54) **TROCAR**

(71) Applicant: **Ethicon Endo-Surgery, Inc.**, Cincinnati, OH (US)

(72) Inventor: **William D. Dannaher**, Cincinnati, OH (US)

(73) Assignee: **Ethicon Endo-Surgery, LLC**, Guaynabo, PR (US)

(\*\*) Term: **14 Years**

(21) Appl. No.: **29/497,882**

(22) Filed: **Jul. 29, 2014**

(51) **LOC (10) Cl.** ..... **24-02**

(52) **U.S. Cl.**  
USPC ..... **D24/146**

(58) **Field of Classification Search**  
USPC ..... D7/649; D8/93, 97, 300, 310, 311, 313; D19/110, 115; D24/127, 130, 133, D24/146, 147, 148  
CPC ..... B26B 3/00; B26B 1/10; B26B 5/005; A61B 17/809; A61B 17/1617; A61B 17/3211; A61B 5/1411; A61B 17/3417  
See application file for complete search history.

(56) **References Cited**

U.S. PATENT DOCUMENTS

D362,066	S	*	9/1995	Petruschke et al.	.....	D24/146
5,662,615	A		9/1997	Blake, III		
D391,361	S	*	2/1998	Evans et al.	.....	D24/147
D407,488	S	*	3/1999	Injev	.....	D24/133
5,993,471	A		11/1999	Riza et al.		
D426,635	S	*	6/2000	Haberland et al.	.....	D24/146
6,217,555	B1		4/2001	Hart et al.		
D443,360	S	*	6/2001	Haberland	.....	D24/146
D449,887	S	*	10/2001	Haberland et al.	.....	D24/146
D496,729	S	*	9/2004	Pajunk et al.	.....	D24/146
D541,417	S	*	4/2007	Albrecht et al.	.....	D24/146

(Continued)

FOREIGN PATENT DOCUMENTS

CN	100358478	C	9/2004
CN	101843518	A	9/2010

(Continued)

OTHER PUBLICATIONS

International Search Report dated Jun. 5, 2015, for Corresponding International Application PCT/US2015/012848.

*Primary Examiner* — Robert M Spear

*Assistant Examiner* — Marissa J Cash

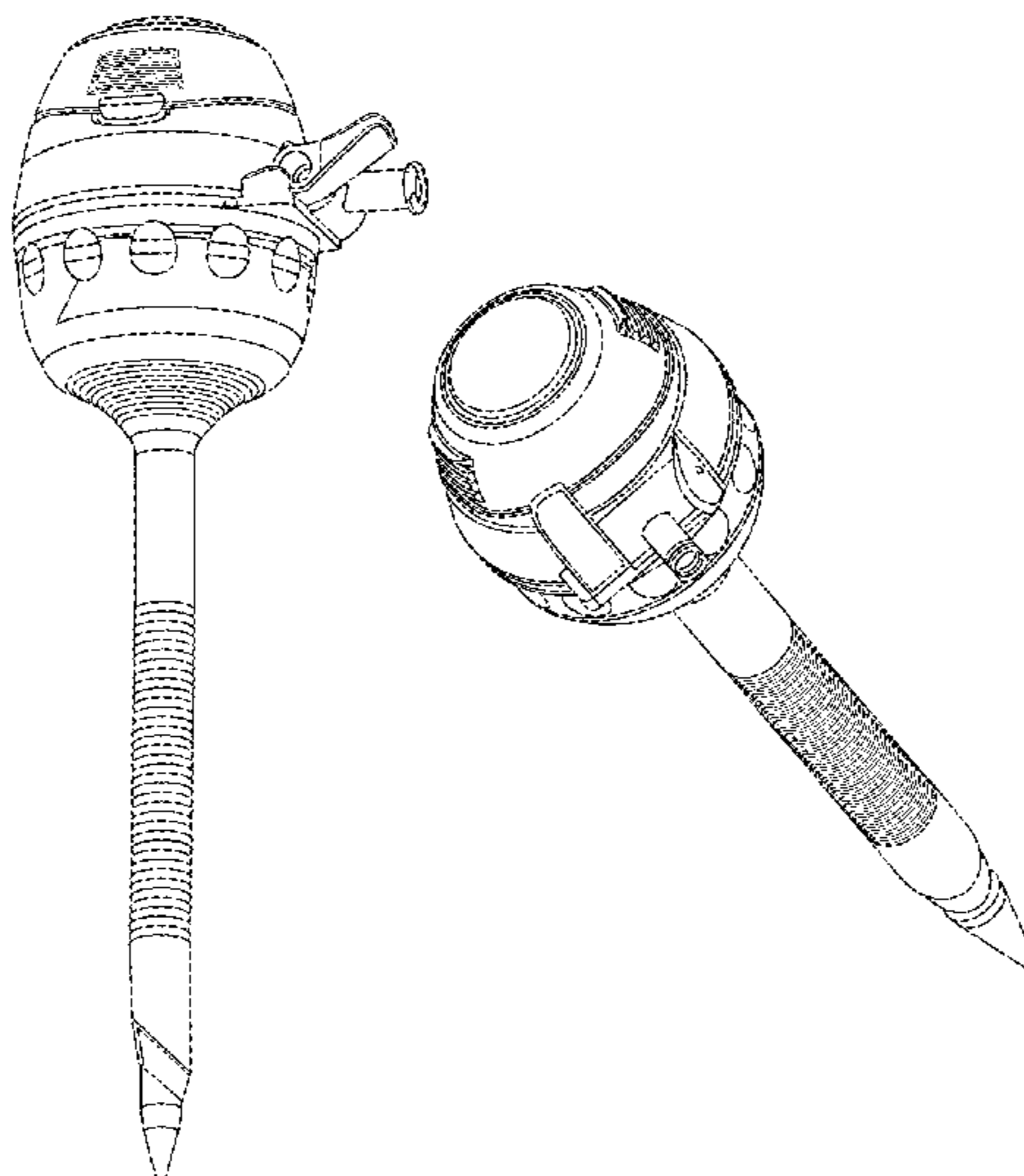
(57) **CLAIM**

The ornamental design for a trocar, as shown and described.

**DESCRIPTION**

FIG. 1 is a perspective view of a first design embodiment of a trocar of the present application;  
 FIG. 2 is a front view of a first design embodiment of a trocar of the present application;  
 FIG. 3 is a right side view of a first design embodiment of a trocar of the present application;  
 FIG. 4 is a top view of a first design embodiment of a trocar of the present application;  
 FIG. 5 is an exploded view of a first design embodiment of a trocar of the present application;  
 FIG. 6 is a perspective view of a second design embodiment of a trocar of the present application;  
 FIG. 7 is a front view of a second design embodiment of a trocar of the present application;  
 FIG. 8 is a right side view of a second design embodiment of a trocar of the present application;  
 FIG. 9 is a top view of a second design embodiment of a trocar of the present application; and,  
 FIG. 10 is an exploded view of a second design embodiment of a trocar of the present application.  
 The embodiments described herein are provided by way of explanation of the invention.

**1 Claim, 10 Drawing Sheets**



(56)

References Cited

U.S. PATENT DOCUMENTS

D542,918 S \* 5/2007 Albrecht et al. .... D24/146  
 D549,824 S \* 8/2007 Sauer ..... D24/146  
 D552,733 S \* 10/2007 Criscuolo et al. .... D24/146  
 D589,616 S \* 3/2009 Carter ..... D24/146  
 D589,617 S \* 3/2009 Carter ..... D24/146  
 D594,121 S \* 6/2009 Berberich et al. .... D24/133  
 8,206,411 B2 \* 6/2012 Thompson et al. .... 606/185  
 D700,326 S \* 2/2014 Minnelli et al. .... D24/146  
 D713,033 S \* 9/2014 Sauer et al. .... D24/146  
 2004/0230161 A1 \* 11/2004 Zeiner ..... 604/167.06  
 2004/0260244 A1 12/2004 Piechowicz et al.  
 2005/0070946 A1 \* 3/2005 Franer et al. .... 606/185  
 2006/0264992 A1 \* 11/2006 Franer et al. .... 606/167  
 2007/0066988 A1 \* 3/2007 Datta et al. .... 606/185  
 2007/0185453 A1 \* 8/2007 Michael et al. .... 604/164.01  
 2007/0260273 A1 \* 11/2007 Cropper et al. .... 606/185  
 2008/0228214 A1 \* 9/2008 Hoan et al. .... 606/185  
 2009/0093833 A1 \* 4/2009 Smith ..... 606/185  
 2009/0240204 A1 9/2009 Taylor et al.  
 2009/0270817 A1 \* 10/2009 Moreno et al. .... 604/264  
 2010/0016799 A1 1/2010 Schweitzer et al.  
 2010/0016878 A1 \* 1/2010 Smith ..... 606/185  
 2011/0028794 A1 2/2011 Widenhouse et al.  
 2011/0046449 A1 \* 2/2011 Minnelli et al. .... 600/205

2011/0087169 A1 4/2011 Parihar et al.  
 2012/0136381 A1 \* 5/2012 Morrison et al. .... 606/185  
 2012/0232572 A1 \* 9/2012 Burghardt et al. .... 606/185  
 2013/0110182 A1 \* 5/2013 Harper ..... 606/328  
 2013/0237902 A1 9/2013 McGinley  
 2013/0338694 A1 \* 12/2013 Fischvogt ..... 606/185

FOREIGN PATENT DOCUMENTS

CN 301516003 S 4/2011  
 CN 102264309 A 11/2011  
 CN 102327142 A 1/2012  
 CN 202218899 U 5/2012  
 CN 301916134 S 5/2012  
 CN 102510739 A 6/2012  
 CN 101947120 B 7/2012  
 CN 302270248 S 1/2013  
 CN 302291676 S 1/2013  
 EP 2305148 A1 4/2011  
 WO WO2011/044448 A2 4/2001  
 WO WO 01/91653 A2 12/2001  
 WO WO2006/118650 A1 11/2006  
 WO WO2006/119197 A1 11/2006  
 WO WO2010/134111 A2 11/2010  
 WO WO2012/041240 A1 7/2012

\* cited by examiner

FIG. 1

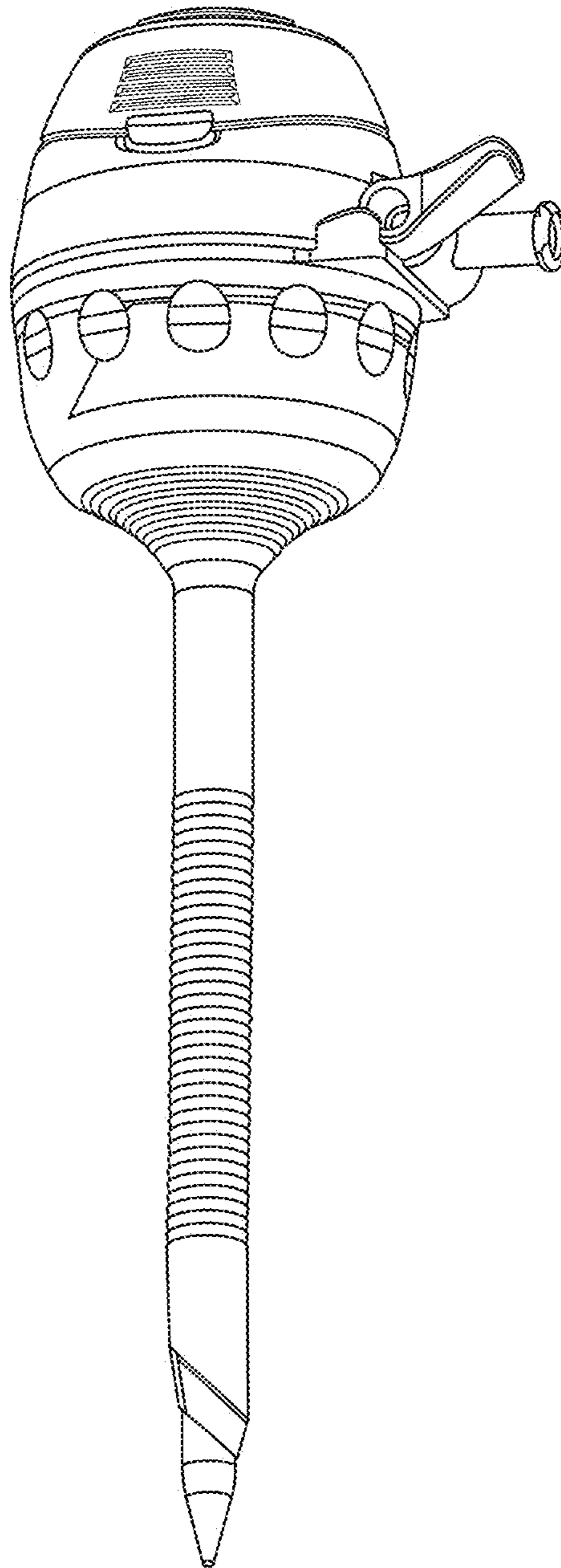


FIG. 2

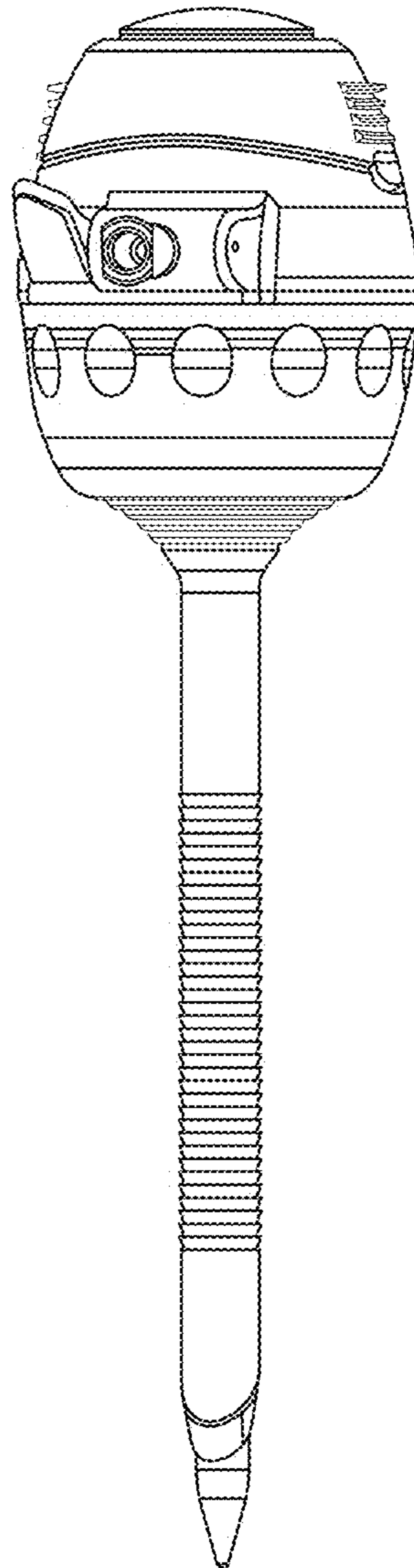


FIG. 3

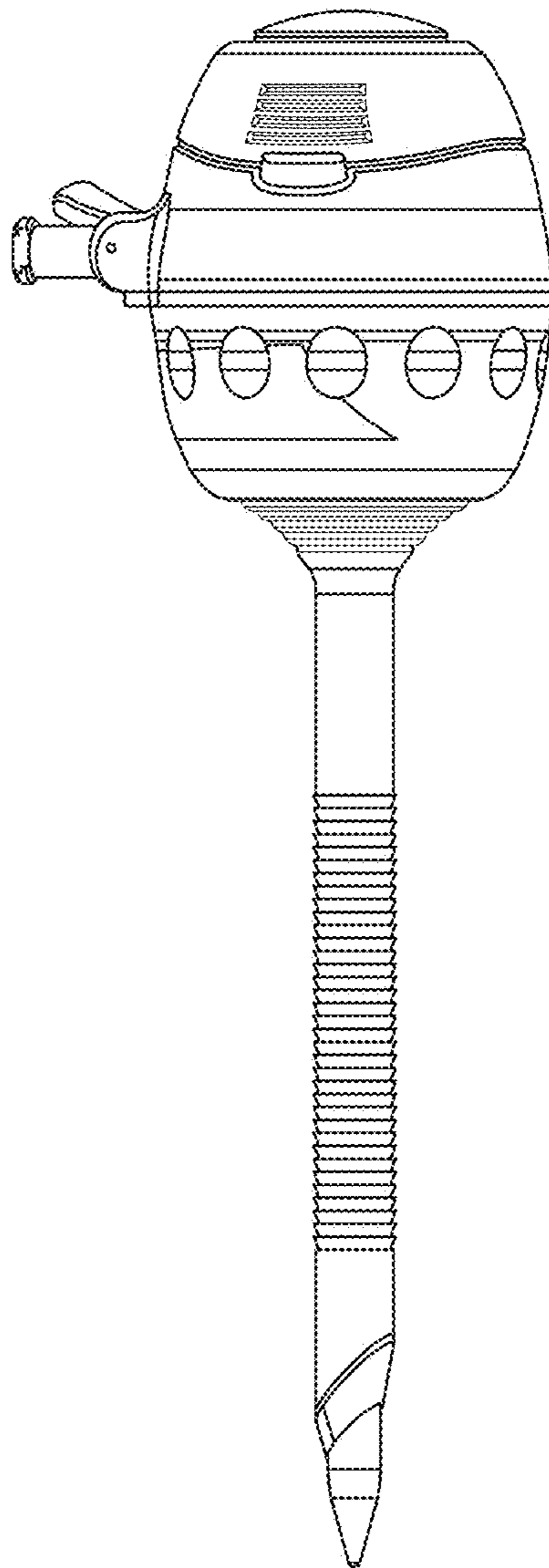


FIG. 4

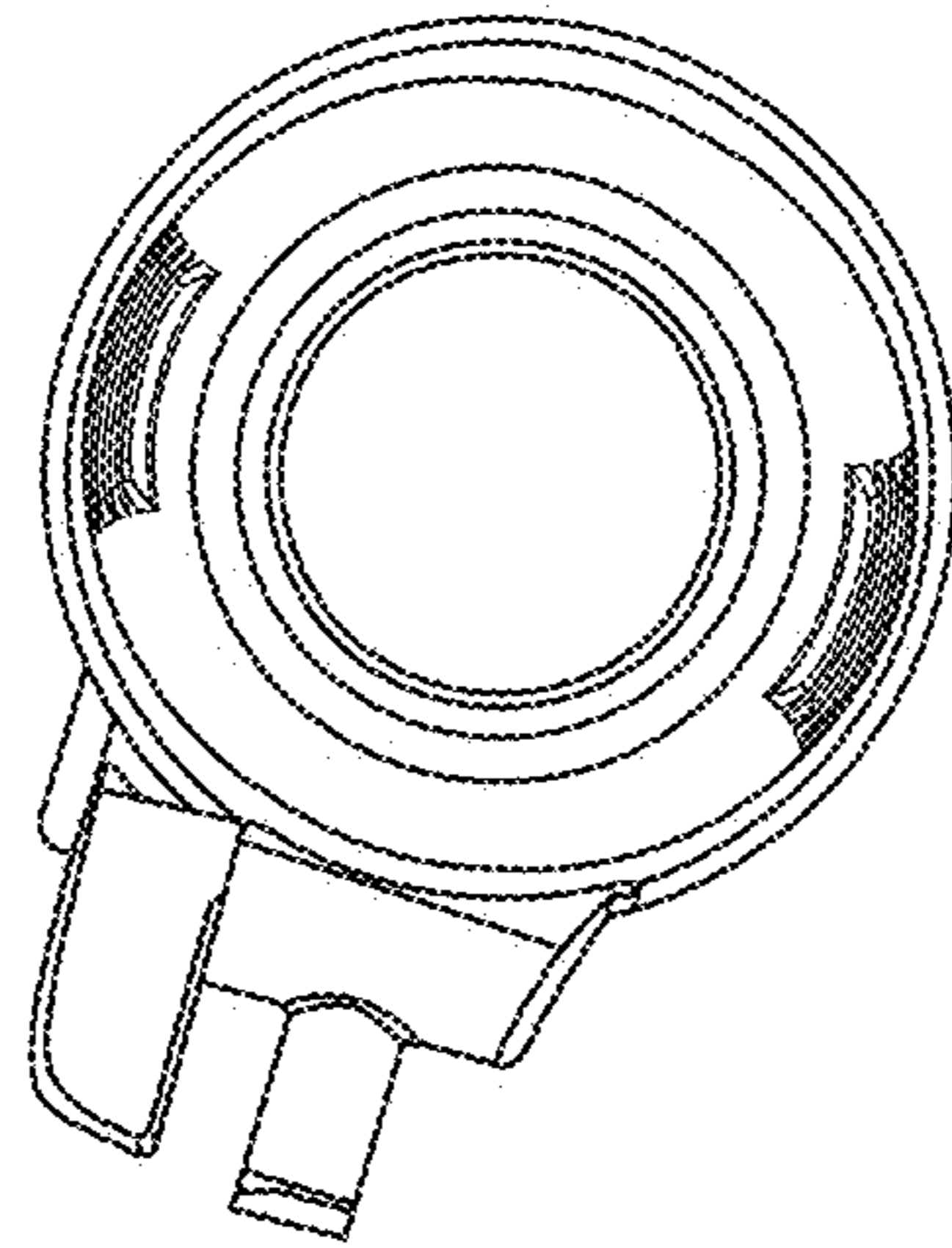


FIG. 5

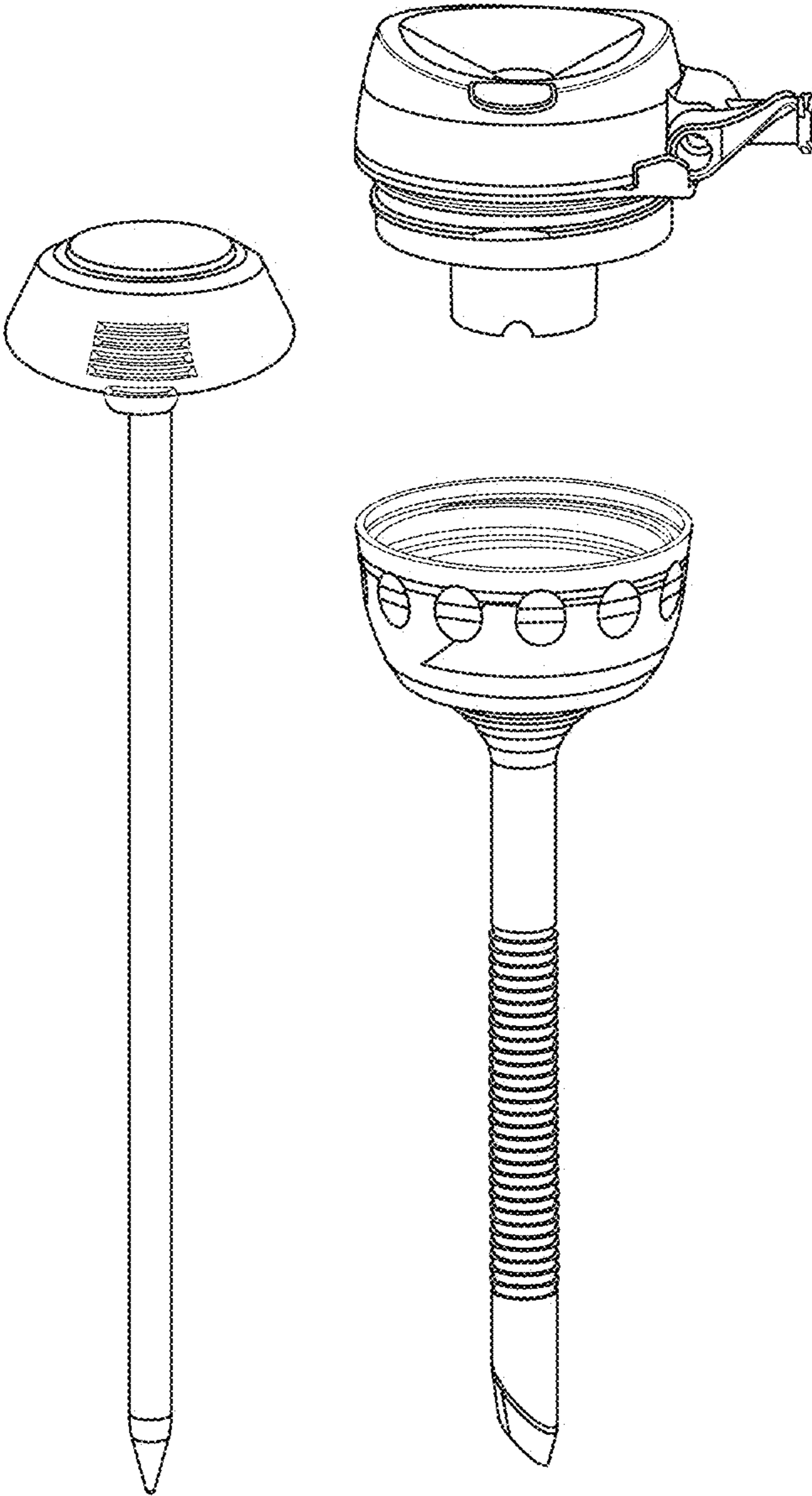


FIG. 6

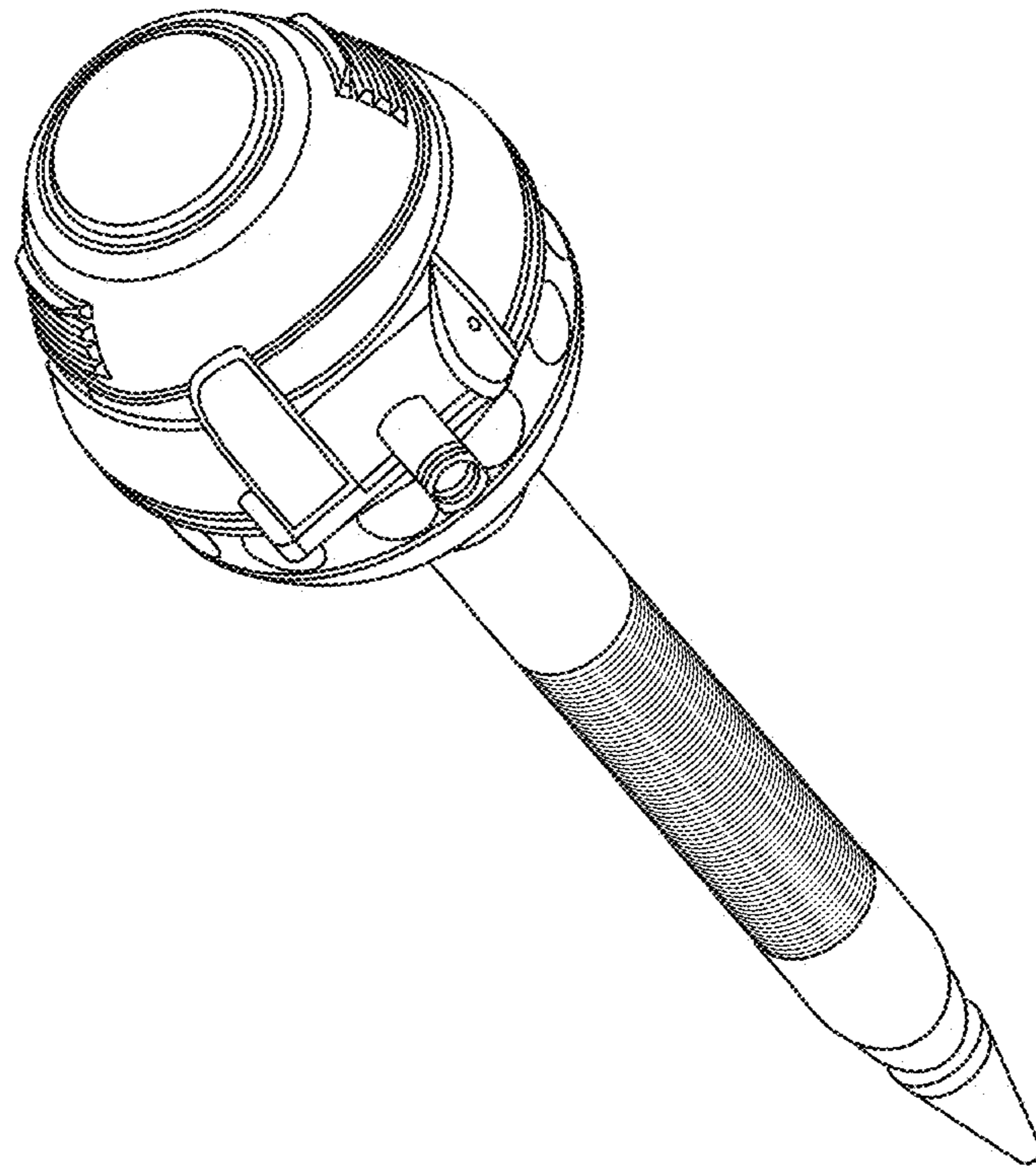




FIG. 7

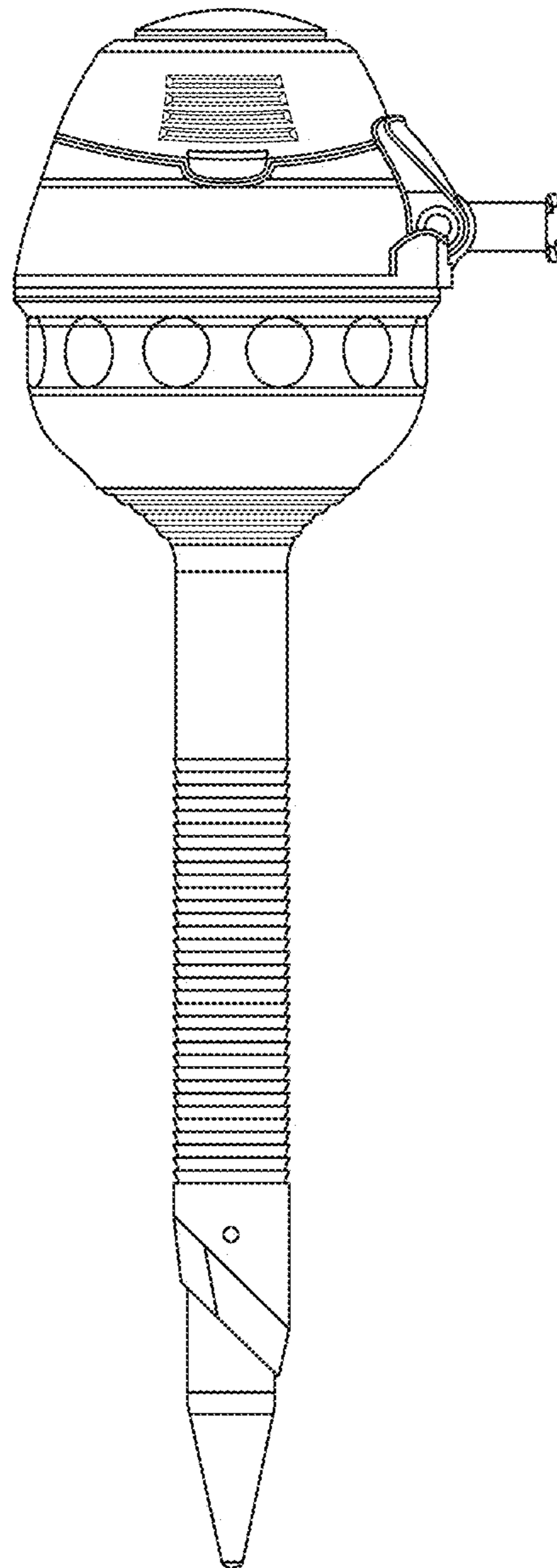


FIG. 8

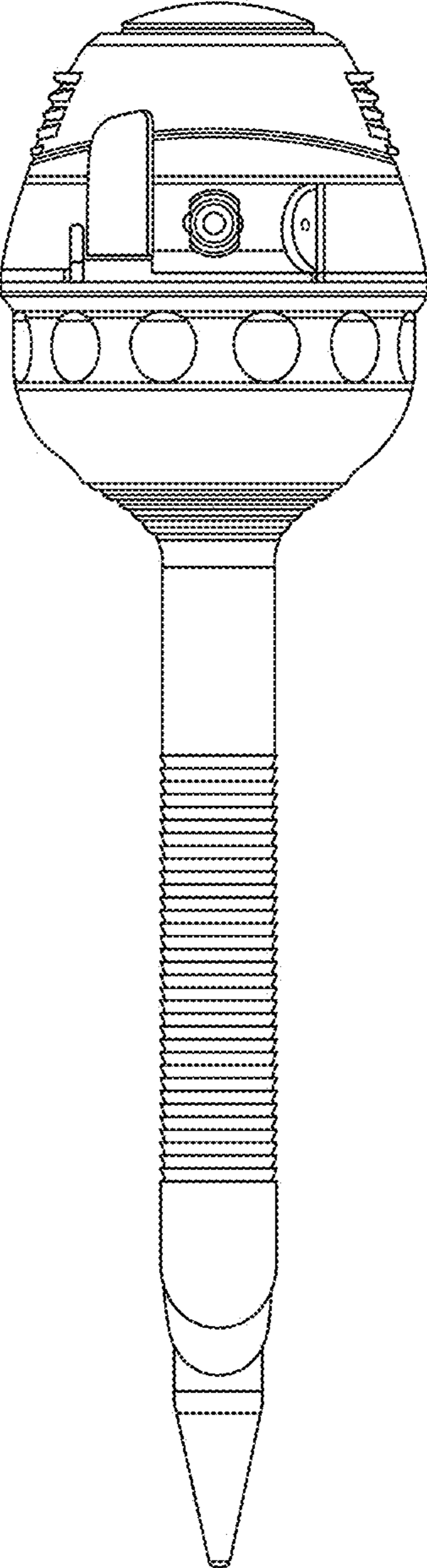


FIG. 9

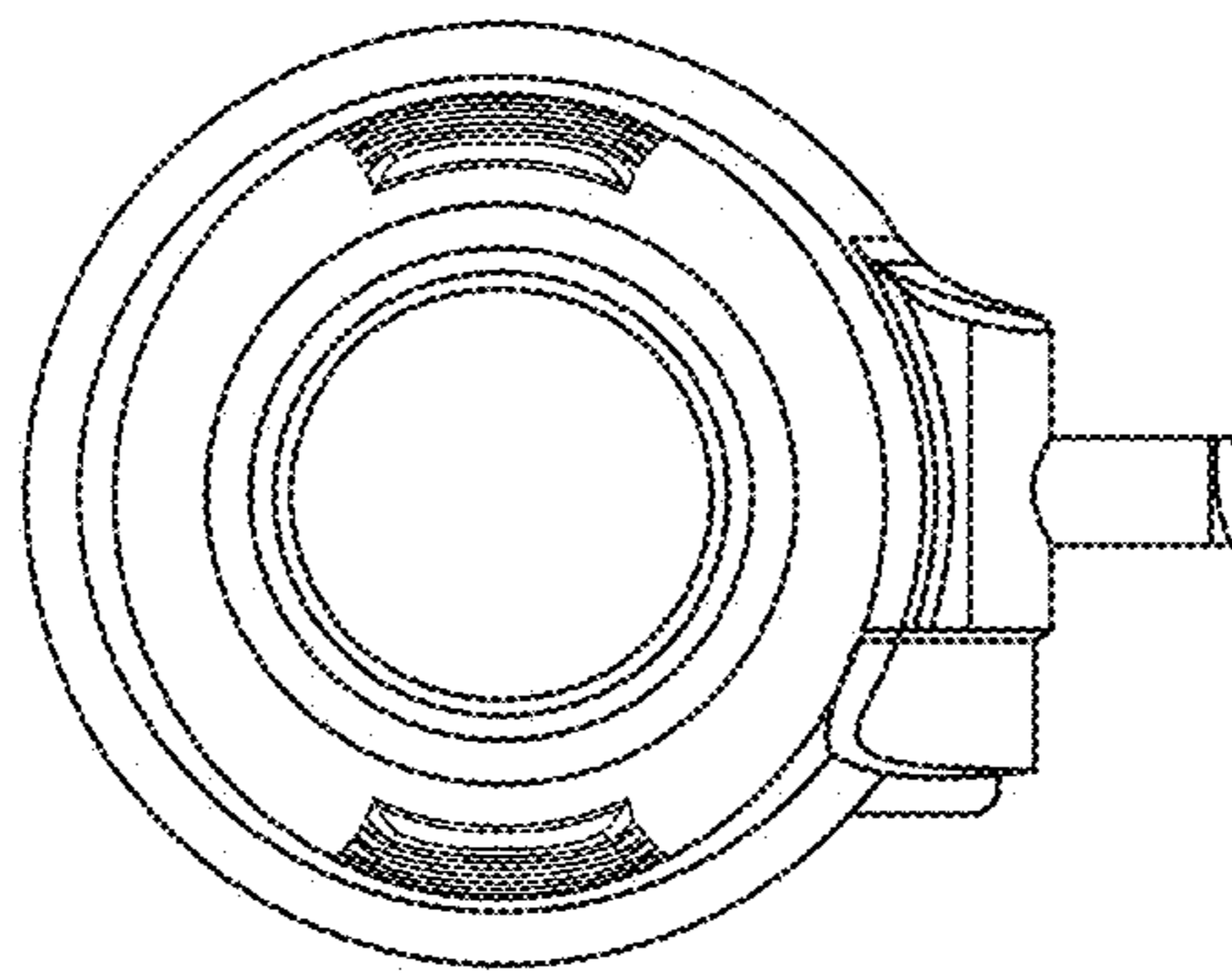


FIG. 10

