



US00D753301S

(12) **United States Design Patent**
Fiksen et al.

(10) **Patent No.:** **US D753,301 S**
(45) **Date of Patent:** **** Apr. 5, 2016**

- (54) **ELECTROSURGICAL DEVICE**
- (71) Applicant: **Gyrus ACMI, Inc.**, Southborough, MA (US)
- (72) Inventors: **Christian J. Fiksen**, Maple Grove, MN (US); **Ryan J. Windgassen**, Nowthen, MN (US); **Friedemann Schreiber**, Hamburg (DE); **Thomas Marzke**, Hamburg (DE)
- (73) Assignee: **Gyrus ACMI, INC.**, Southborough, MA (US)
- (**) Term: **14 Years**
- (21) Appl. No.: **29/493,991**
- (22) Filed: **Jun. 16, 2014**
- (51) **LOC (10) Cl.** **24-02**
- (52) **U.S. Cl.**
USPC **D24/144**
- (58) **Field of Classification Search**
USPC D24/144, 133, 147, 170, 200, 214;
606/1, 33, 39, 40, 42, 43, 45, 169, 190;
340/330, 393.3, 543, 815.48
CPC A61B 18/1402; A61B 2018/00601;
A61B 2018/00589; A61B 18/14; A61B 18/20;
A61B 2017/00504; A61B 2017/00513
See application file for complete search history.

(56) **References Cited**

U.S. PATENT DOCUMENTS

4,686,980	A	8/1987	Williams	
4,784,136	A	11/1988	Klein	
5,116,333	A	5/1992	Beane	
D330,253	S *	10/1992	Burek	D24/144
5,226,904	A	7/1993	Gentelia	
5,626,577	A	5/1997	Harris	
D402,031	S *	12/1998	Roberts et al.	D24/144
6,361,532	B1 *	3/2002	Burek	606/45
D471,880	S *	3/2003	Mayo et al.	D13/171

6,533,778	B2	3/2003	Herzon	
6,808,525	B2	10/2004	Latterell	
D521,641	S *	5/2006	Reschke et al.	D24/144
7,083,613	B2	8/2006	Treat	
D532,755	S *	11/2006	Hori et al.	D13/174
D535,396	S *	1/2007	Reschke et al.	D24/144
7,244,257	B2	7/2007	Podhajsky	
D584,815	S *	1/2009	Goodman et al.	D24/133
7,503,917	B2	3/2009	Sartor	
7,931,668	B2	4/2011	Sloat	
8,162,937	B2 *	4/2012	Cunningham et al.	606/42
D679,014	S *	3/2013	Jayaraj	D24/144
D727,272	S *	4/2015	Johnson	D13/174
2005/0113825	A1	5/2005	Cosmescu	
2011/0054462	A1	3/2011	Ellman	
2011/0112530	A1	5/2011	Keller	
2012/0101497	A1 *	4/2012	Jayaraj	606/42
2013/0178852	A1	7/2013	Allen, IV	
2014/0303449	A1 *	10/2014	Balog	600/249

* cited by examiner

Primary Examiner — Wan Laymon

Assistant Examiner — Mark Booker

(74) *Attorney, Agent, or Firm* — Vivacqua Law, PLC; Eric Kurtycz

(57) **CLAIM**

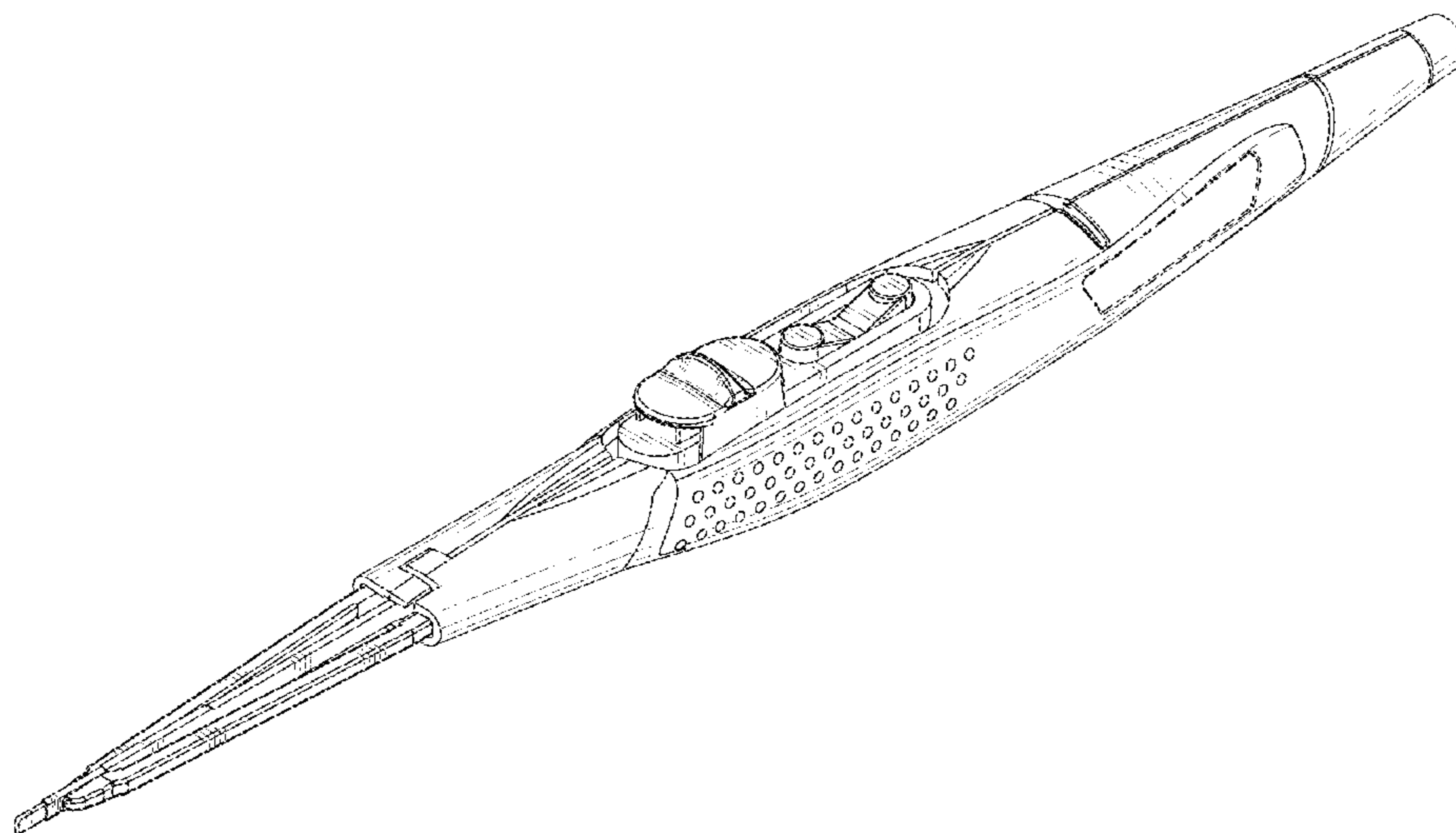
The ornamental design for an electrosurgical device, as shown and described.

DESCRIPTION

FIG. 1 is a front side perspective view of the electrosurgical device, showing my new design;
 FIG. 2 is a top view thereof;
 FIG. 3 is a bottom view thereof;
 FIG. 4 is a front view thereof;
 FIG. 5 is a rear view thereof;
 FIG. 6 is a left side view thereof; and,
 FIG. 7 is a right side view thereof.

The broken lines are included for the purpose of illustrating environmental structure and form no part of the claimed design.

1 Claim, 3 Drawing Sheets



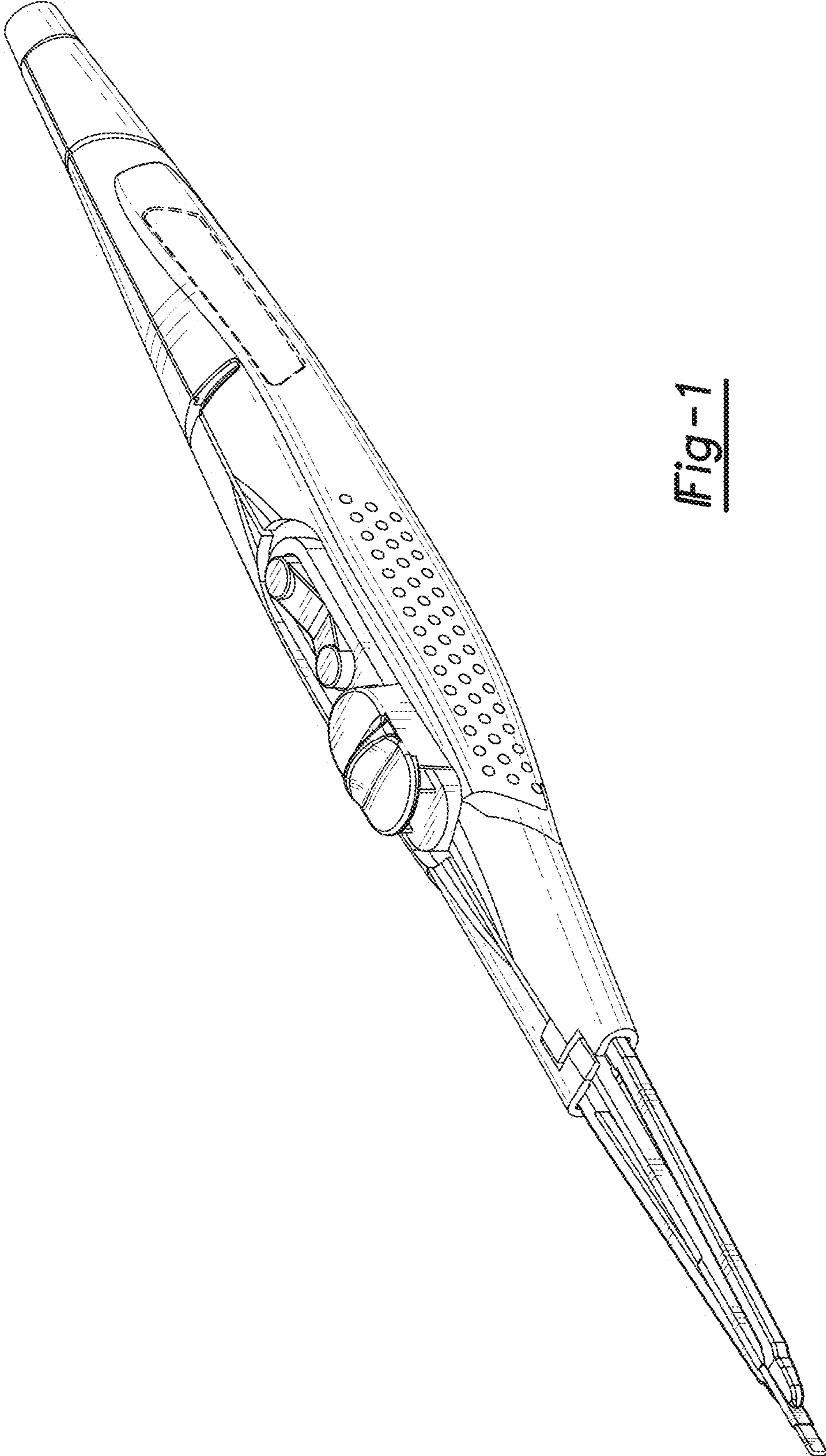


Fig-1

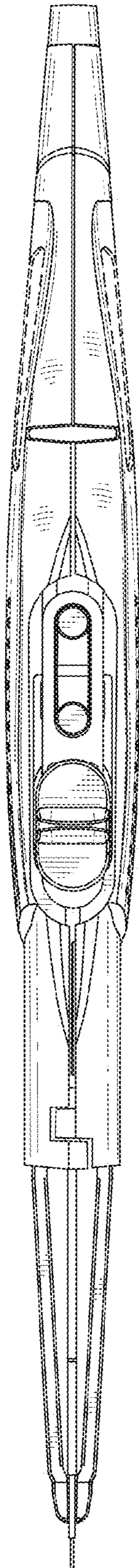


Fig-2

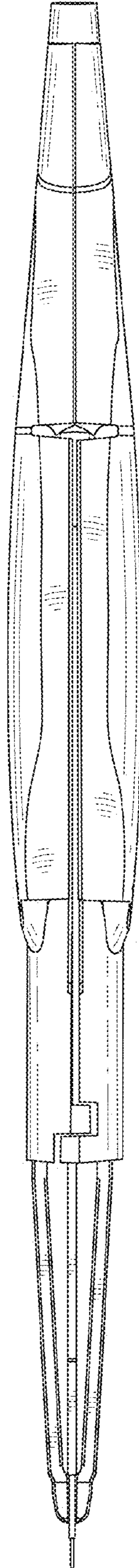


Fig-3

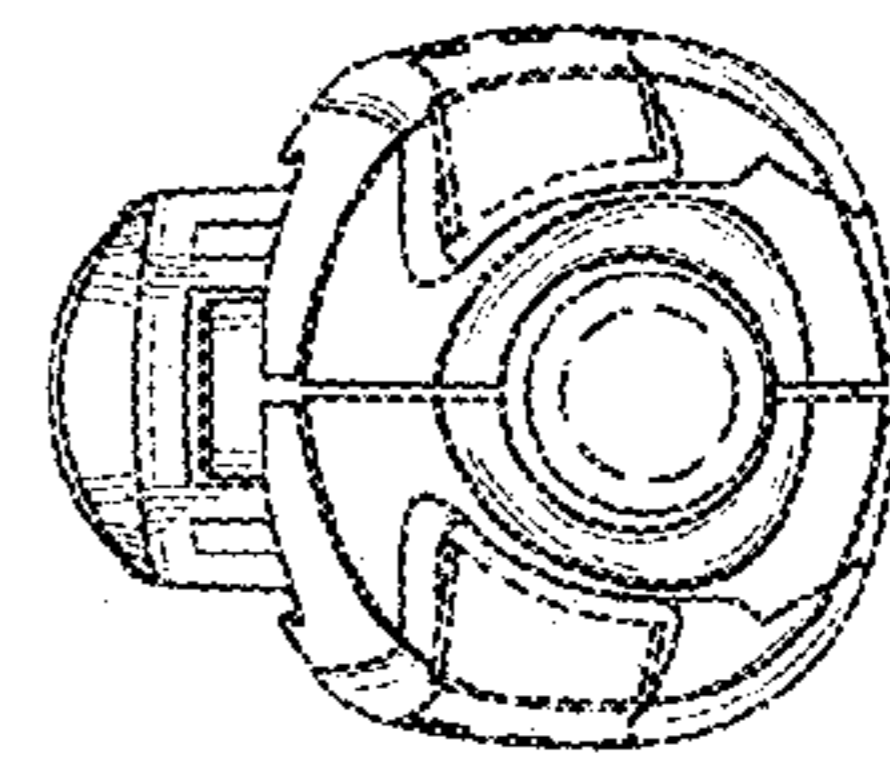


Fig-5

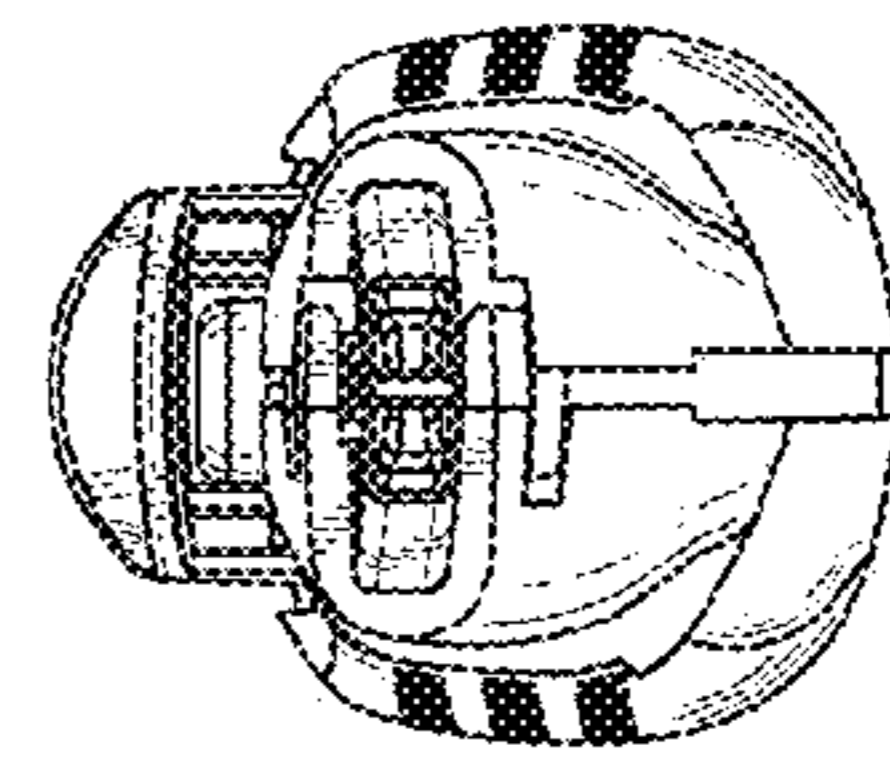


Fig-4

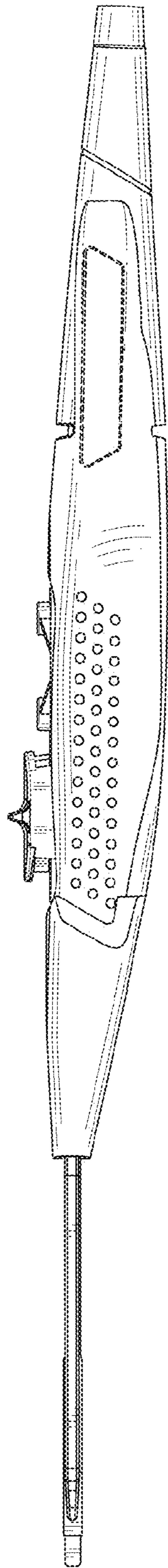


Fig-6

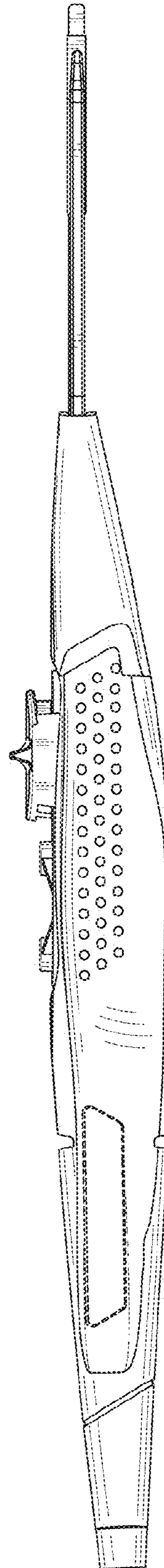


Fig-7